



US00D602935S

(12) **United States Design Patent**
Kettula et al.

(10) **Patent No.:** **US D602,935 S**
(45) **Date of Patent:** **** Oct. 27, 2009**

(54) **DISPLAY**

(75) Inventors: **Jan Kettula**, Espoo (FI); **Michael Göllnitz**, Neu-Ulm (DE)

(73) Assignee: **Nokia Corporation**, Espoo (FI)

(**) Term: **14 Years**

(21) Appl. No.: **29/320,056**

(22) Filed: **Jun. 19, 2008**

(51) **LOC (9) Cl.** **14-02**

(52) **U.S. Cl.** **D14/371**

(58) **Field of Classification Search** D14/371-375,
D14/336, 341, 125-129; 341/12; 345/104,
345/156, 168, 173, 901-905; 348/180, 184,
348/325, 837; 349/1, 2, 11, 62; 361/679.08
See application file for complete search history.

(56) **References Cited**

U.S. PATENT DOCUMENTS

5,179,447	A *	1/1993	Lain	348/837
D405,443	S *	2/1999	Marsh	D14/126
D412,899	S *	8/1999	Rosen	D14/132
6,381,125	B1 *	4/2002	Mizoguchi et al.	361/679.08
D465,492	S *	11/2002	Scribner	D14/375
D474,469	S *	5/2003	Koo et al.	D14/375
D490,427	S *	5/2004	Chiu	D14/371

D496,047	S *	9/2004	Hoehn	D14/375
D509,827	S *	9/2005	Johnson	D14/374
7,084,932	B1 *	8/2006	Mathias et al.	348/837
D541,798	S *	5/2007	Ichida et al.	D14/371
D551,224	S *	9/2007	Hatling et al.	D14/331
D554,639	S *	11/2007	Kim et al.	D14/375

* cited by examiner

Primary Examiner—Freda S Nunn

(74) *Attorney, Agent, or Firm*—Banner & Witcoff, Ltd.

(57) **CLAIM**

The ornamental design for a display, as shown and described.

DESCRIPTION

FIG. 1 is a perspective front view of a display showing my new design;

FIG. 2 is a front view thereof;

FIG. 3 is a rear view thereof;

FIG. 4 is a left side view thereof;

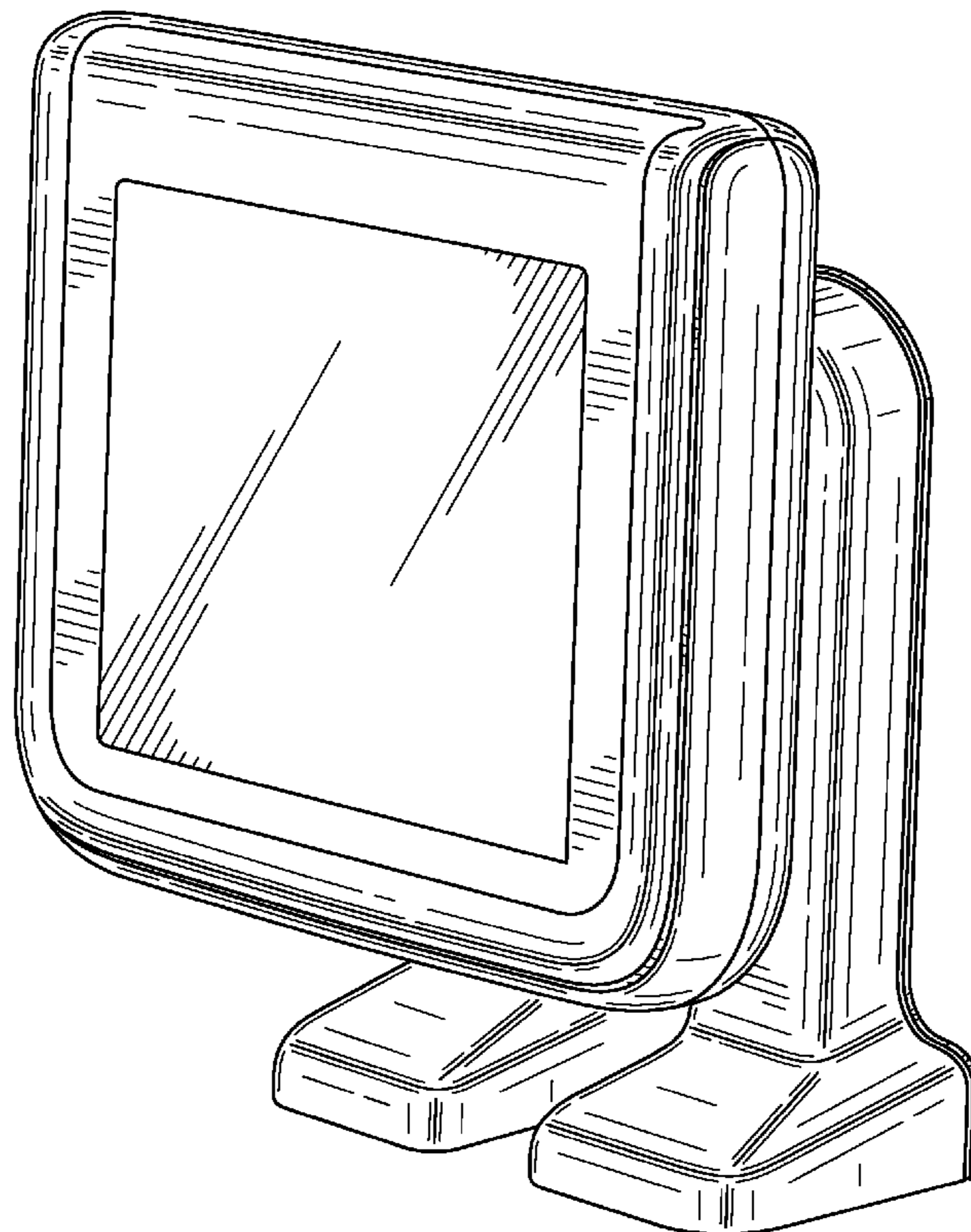
FIG. 5 is a right side view thereof;

FIG. 6 is a top plan view thereof; and,

FIG. 7 is a bottom plan view thereof.

Broken lines shown in FIG. 3 illustrate portions of the display, and form no part of the claimed design.

1 Claim, 6 Drawing Sheets



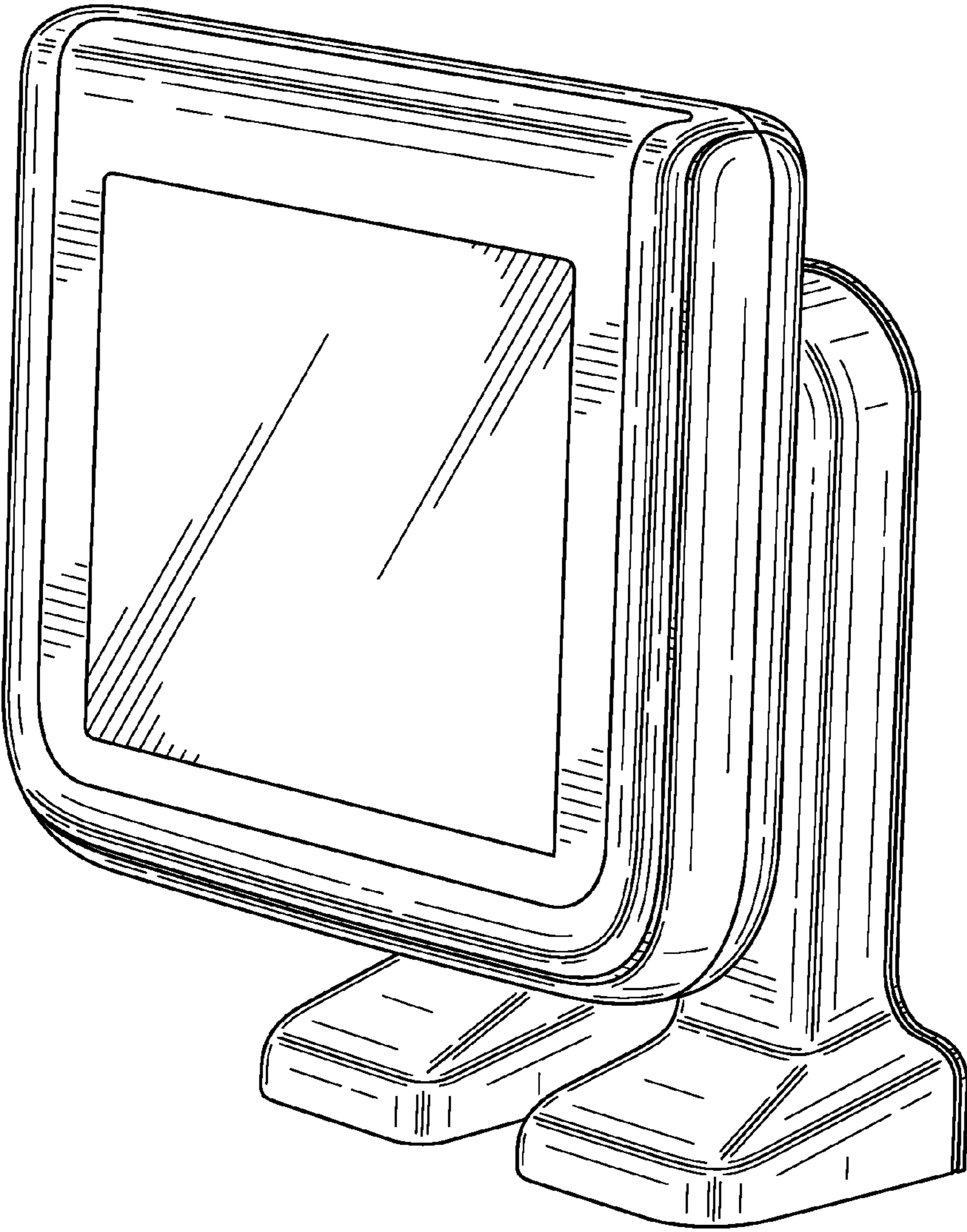


FIG. 1

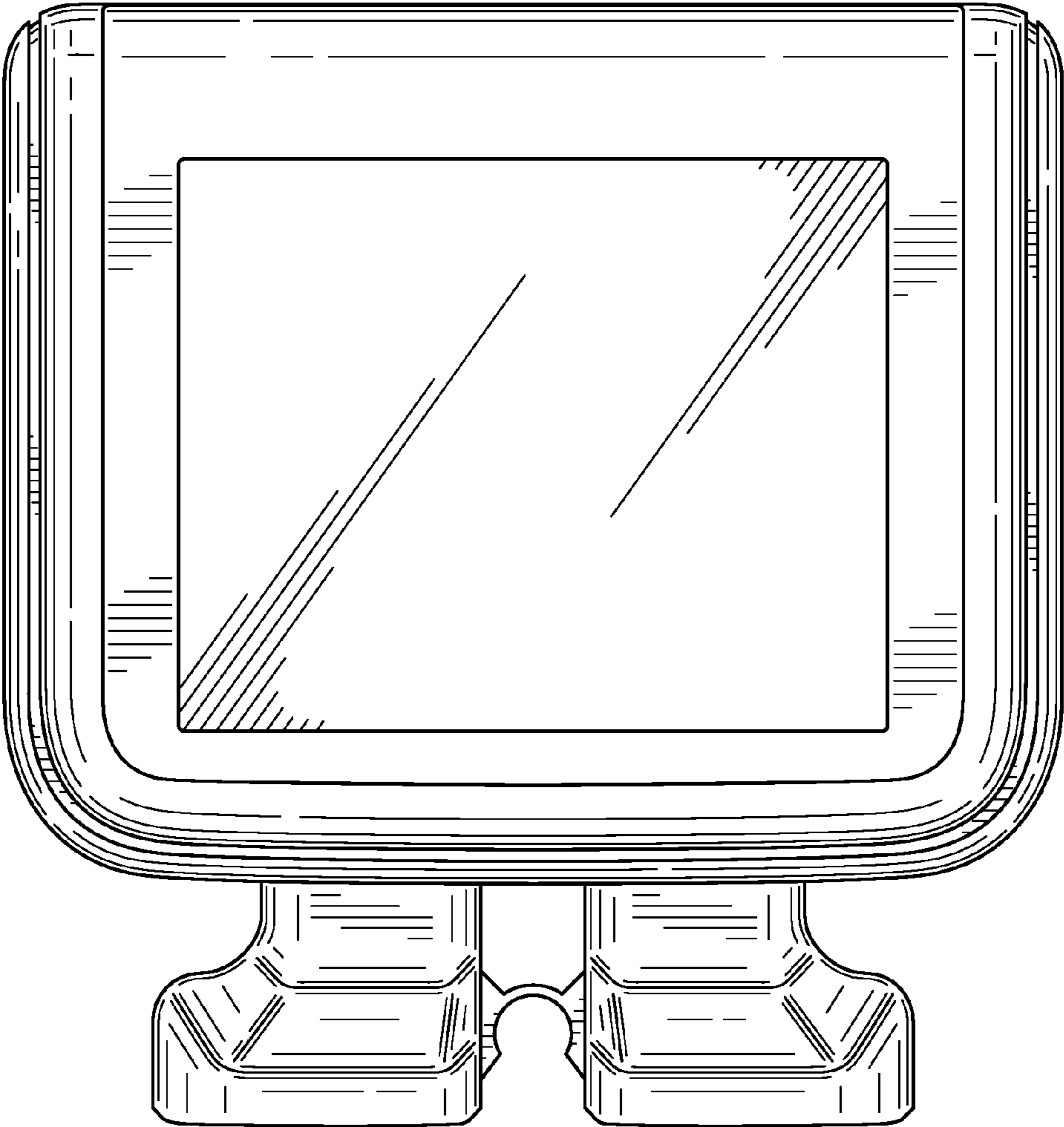


FIG. 2

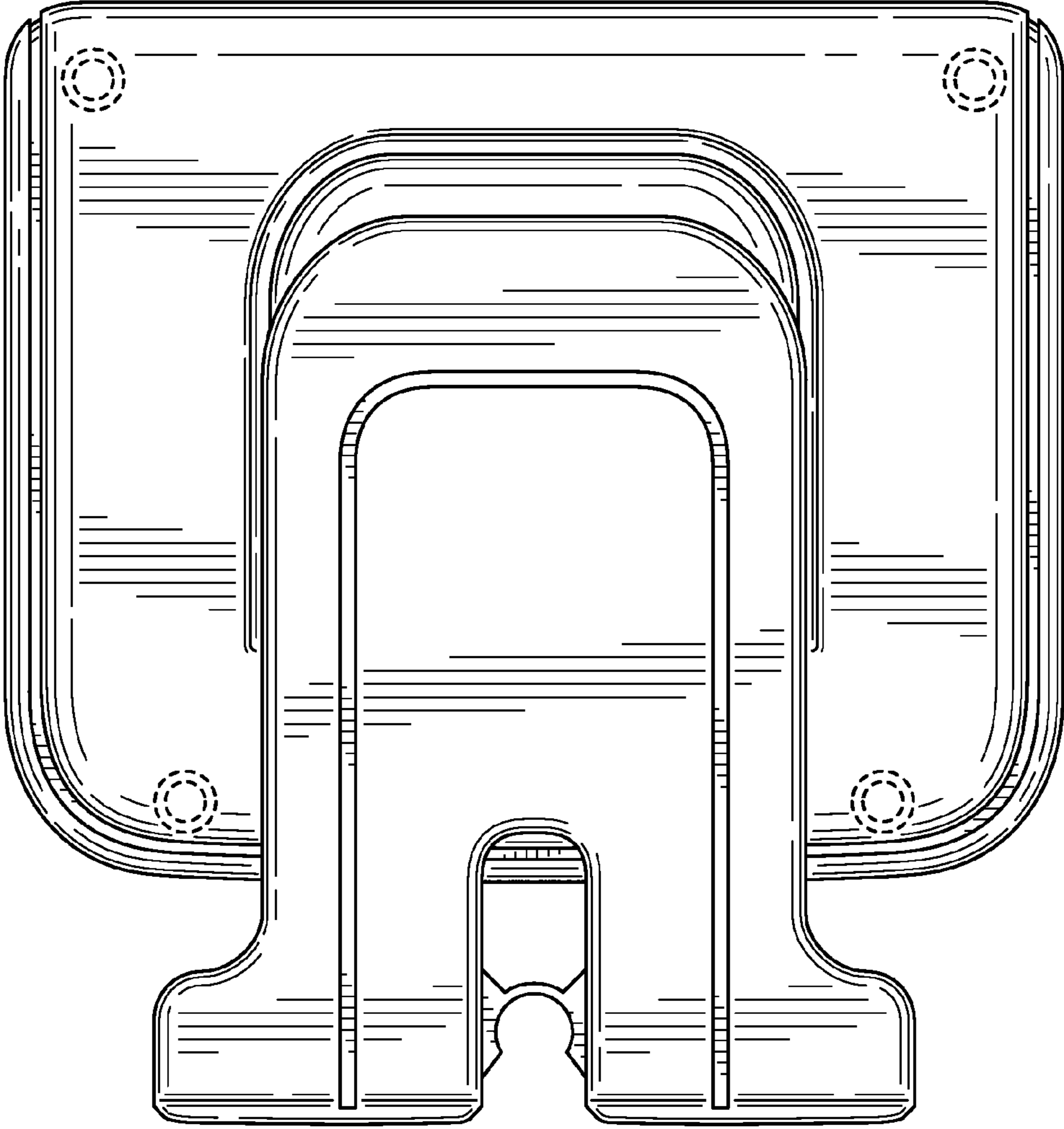


FIG. 3

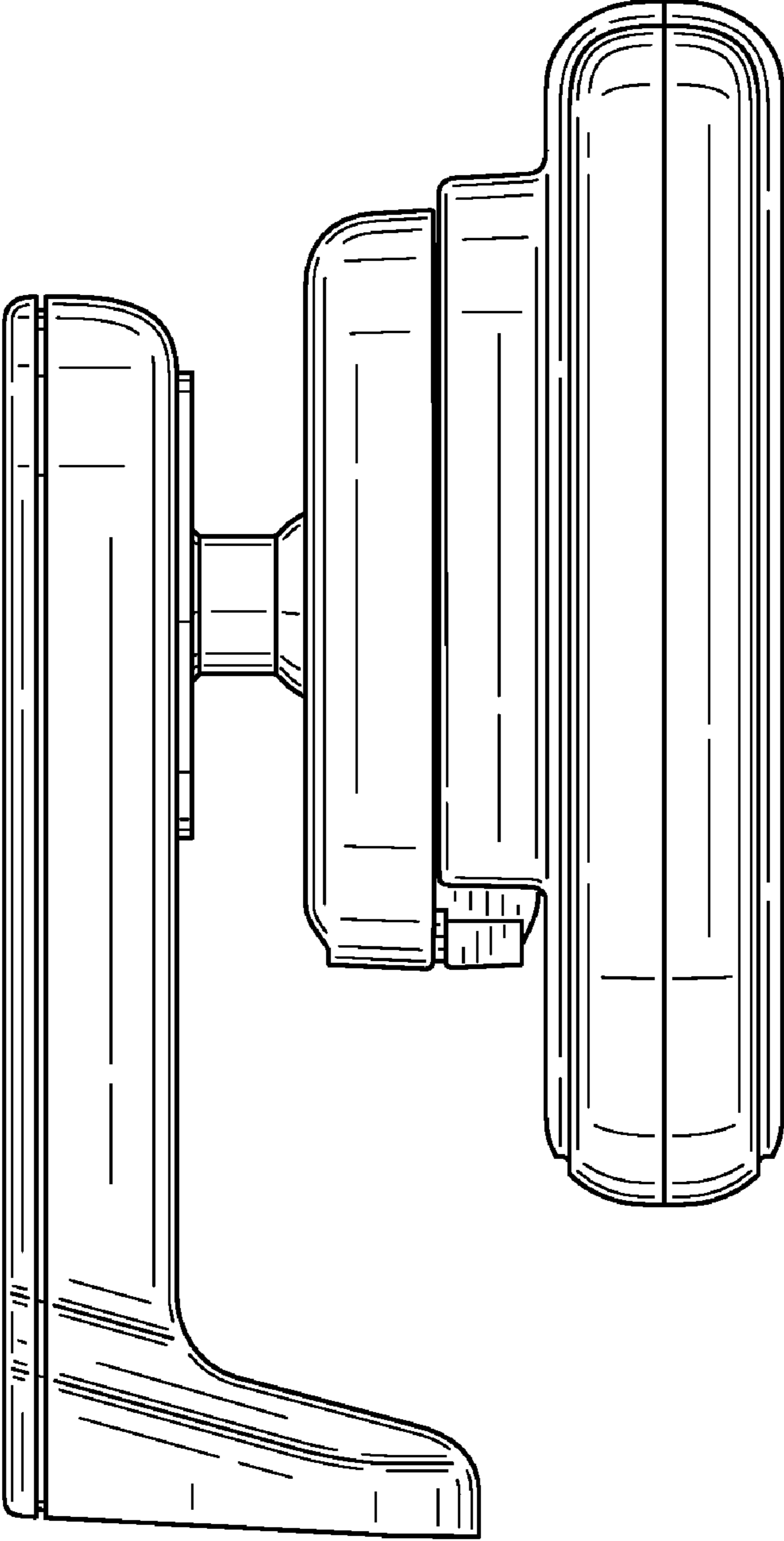


FIG. 4

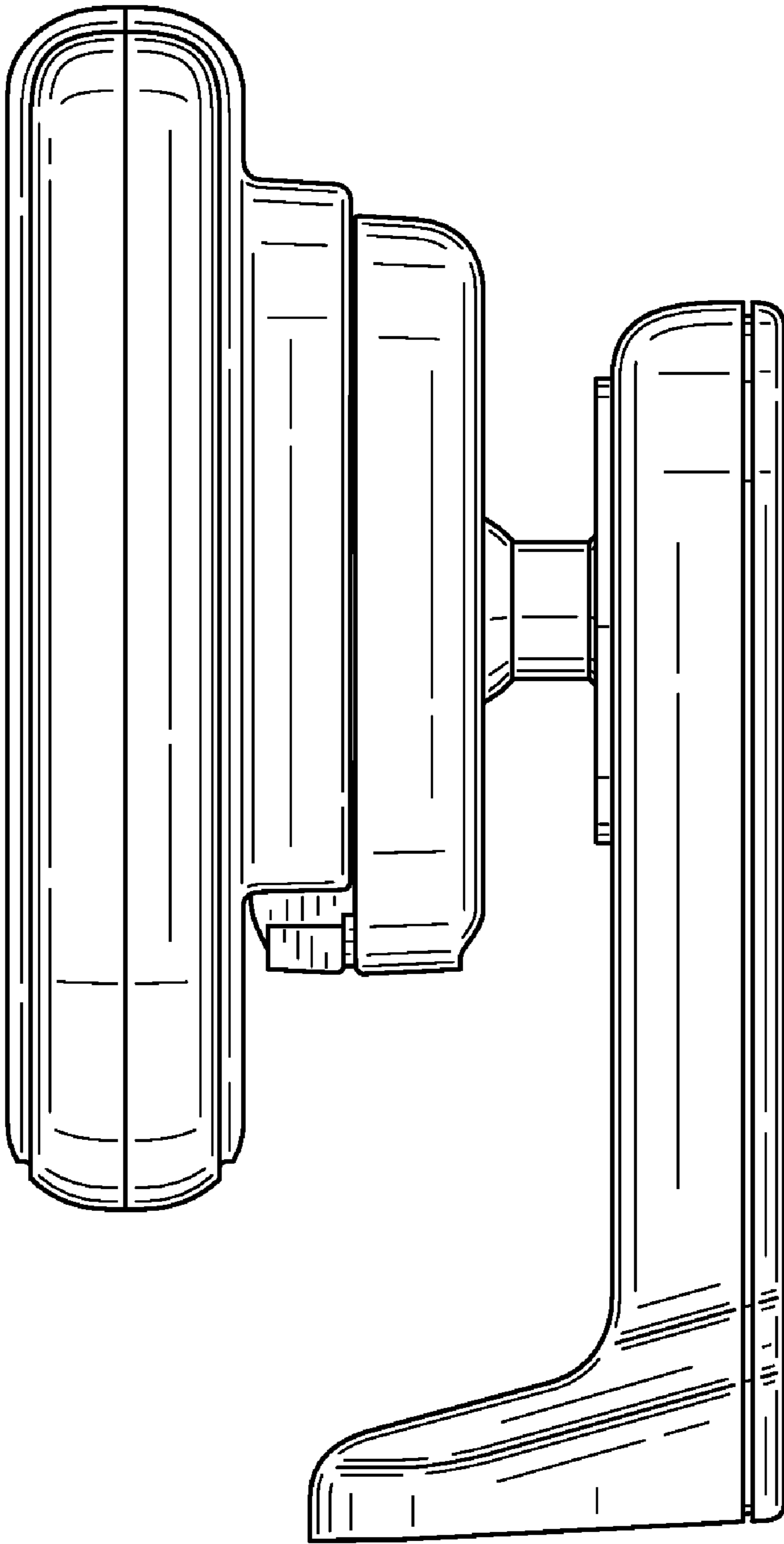


FIG. 5

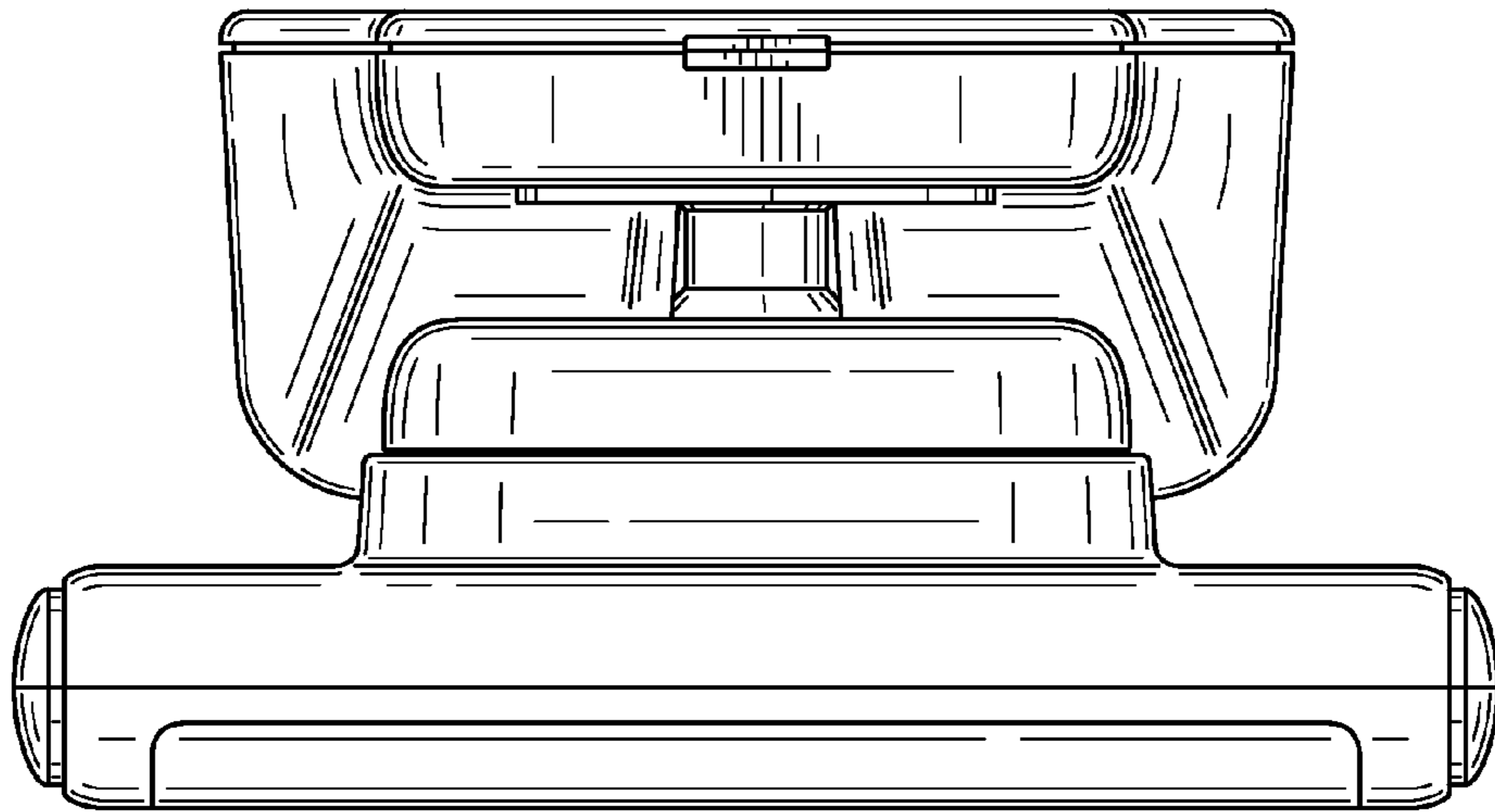


FIG. 6

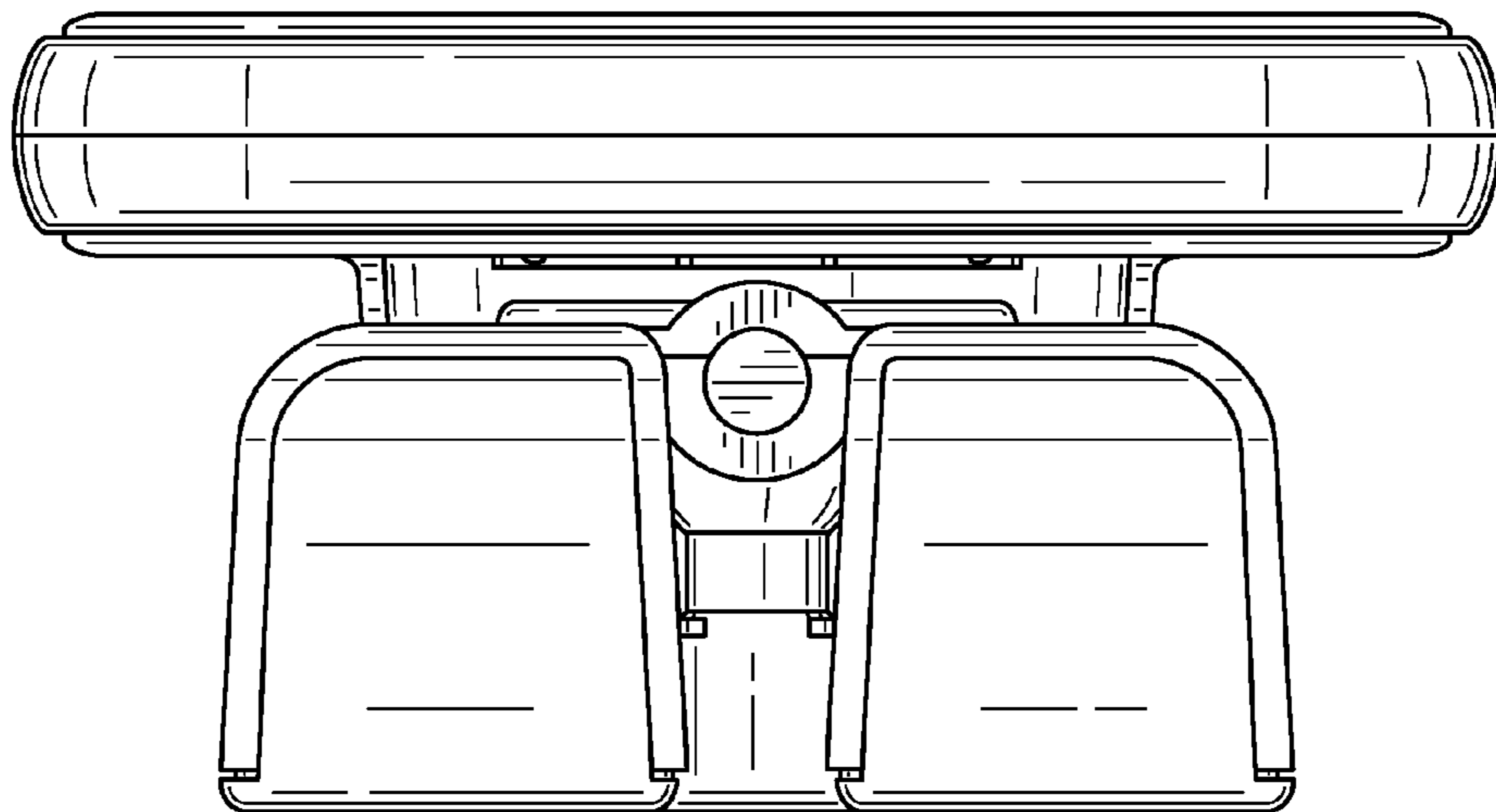


FIG. 7