



US00D602934S

(12) **United States Design Patent**  
**Cao et al.**

(10) **Patent No.:** **US D602,934 S**  
(45) **Date of Patent:** **\*\* Oct. 27, 2009**

(54) **NETWORK STORAGE DEVICE**  
(75) Inventors: **Ming-Yu Cao**, Shenzhen (CN);  
**Tzu-Cheng Yu**, Taipei Hsien (TW)  
(73) Assignee: **FIH (Hong Kong) Limited**, Kowloon  
(HK)  
(\*\*) Term: **14 Years**

6,480,398 B1 \* 11/2002 Fiora et al. .... 361/683  
D478,065 S \* 8/2003 Bolton et al. .... D14/214  
D497,162 S \* 10/2004 Neal et al. .... D14/349  
D511,159 S \* 11/2005 Su et al. .... D14/300  
D511,248 S \* 11/2005 Premper ..... D3/273  
D512,412 S \* 12/2005 Tsuge ..... D14/214  
D532,409 S \* 11/2006 Yu et al. .... D14/215  
7,443,688 B2 \* 10/2008 Chen et al. .... 312/223.2  
D582,411 S \* 12/2008 Fan et al. .... D14/356

(21) Appl. No.: **29/299,064**  
(22) Filed: **Dec. 19, 2007**

\* cited by examiner

*Primary Examiner*—Cathron C Brooks  
*Assistant Examiner*—Karen E Kearney  
(74) *Attorney, Agent, or Firm*—Steven M. Reiss

(30) **Foreign Application Priority Data**  
Oct. 29, 2007 (CN) ..... 2007 3 0201914

(57) **CLAIM**

(51) **LOC (9) Cl.** ..... **14-02**  
(52) **U.S. Cl.** ..... **D14/356**  
(58) **Field of Classification Search** ..... D14/137,  
D14/167–168, 230–231, 233, 235, 237, 240–242,  
D14/299, 432, 435–436, 155, 496, 300–301,  
D14/313–314, 214, 348–349, 351–363, 365–370;  
D18/56; D10/65, 75, 78; D13/149, 162,  
D13/184, 199; D3/201, 273; 312/223.1,  
312/223.2; 369/34.01, 36.01, 272.1; 360/132,  
360/133, 135; 361/685–686; 379/93.01;  
720/613; 711/15, 100, 115  
See application file for complete search history.

The ornamental design for a network storage device, as shown and described.

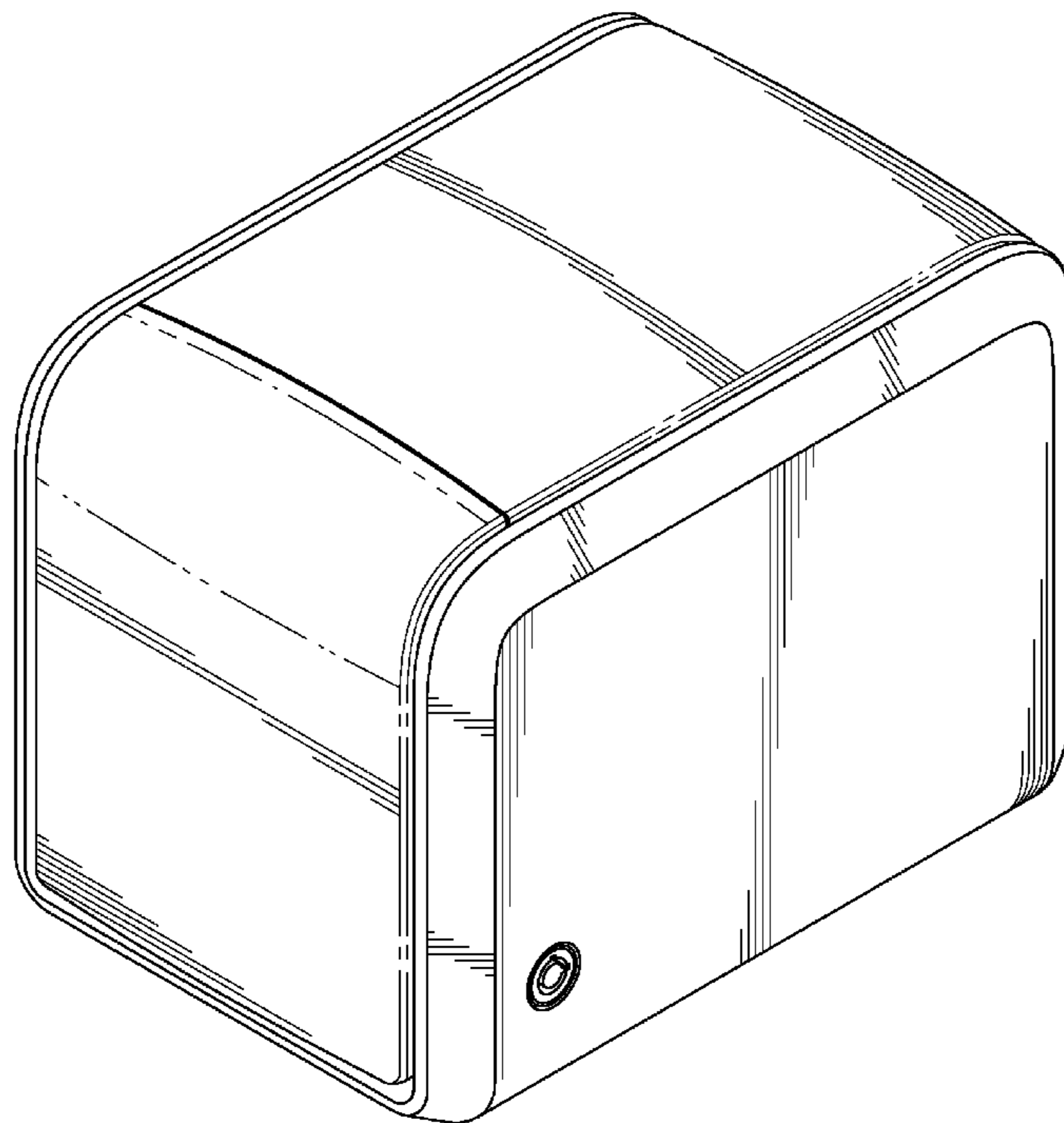
**DESCRIPTION**

FIG. 1 is a perspective view of a network storage device showing our new design;  
FIG. 2 is a front elevational view thereof;  
FIG. 3 is a rear elevational view thereof;  
FIG. 4 is a left side elevational view thereof;  
FIG. 5 is a right side elevational view thereof;  
FIG. 6 is a top plan view thereof; and,  
FIG. 7 is a bottom plan view thereof.

The broken lines showing of the unclaimed portions in FIGS. 2 and 3 form no part of the claimed design.

(56) **References Cited**  
U.S. PATENT DOCUMENTS  
D223,096 S \* 3/1972 Gilson ..... D14/365  
D425,909 S \* 5/2000 Chen et al. .... D14/301  
D437,595 S \* 2/2001 Chang et al. .... D14/351

**1 Claim, 7 Drawing Sheets**



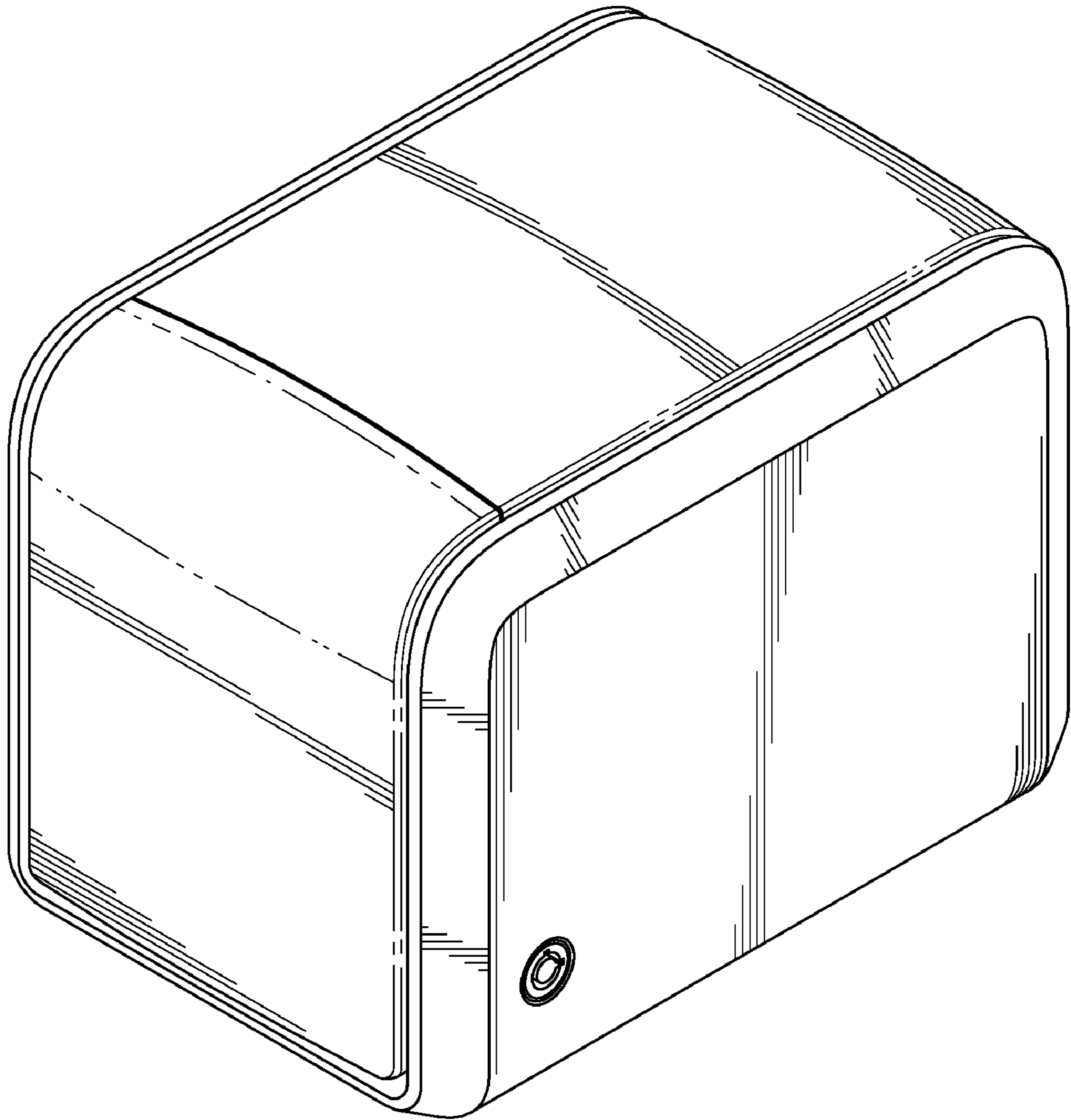


FIG. 1

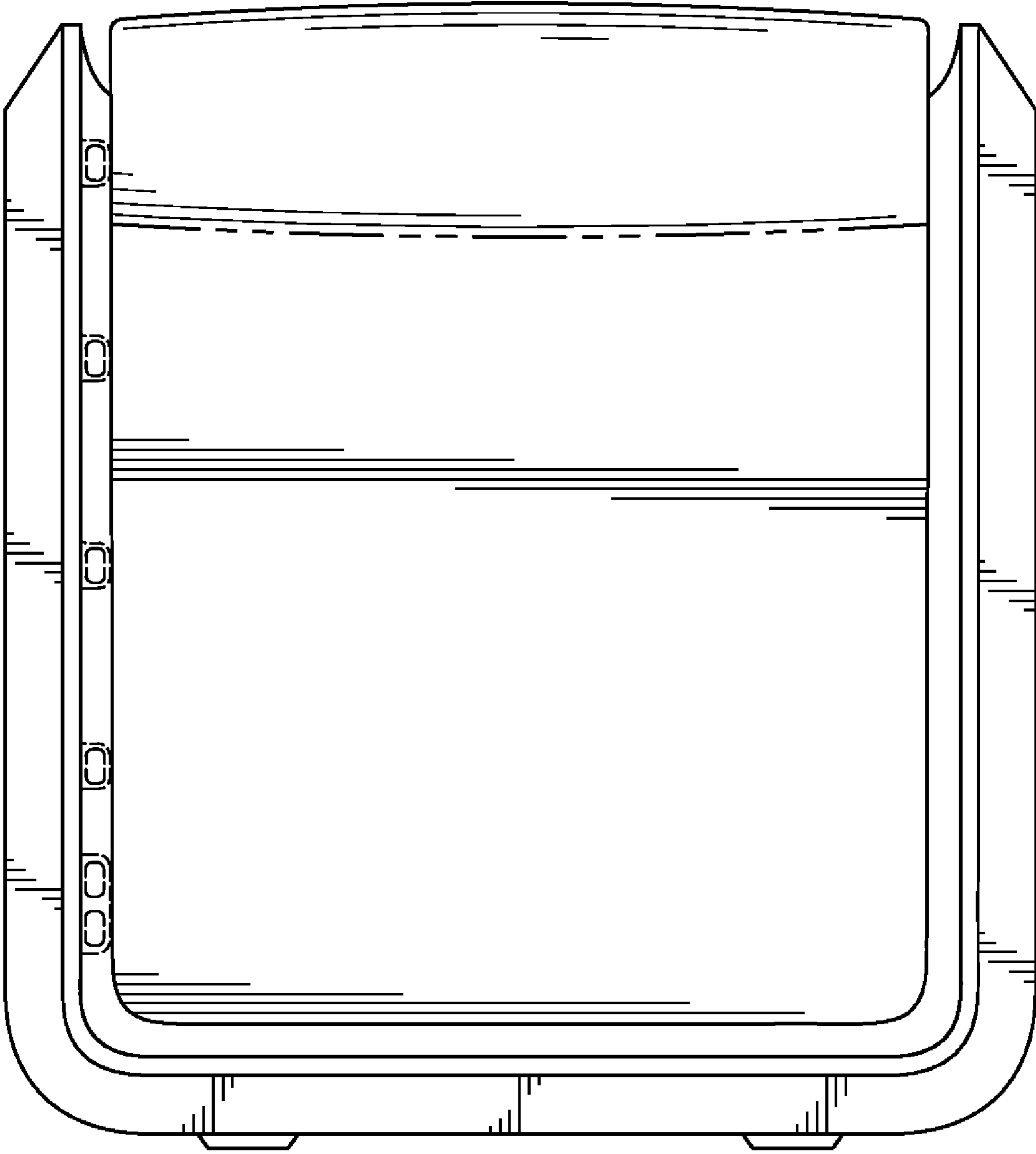


FIG. 2

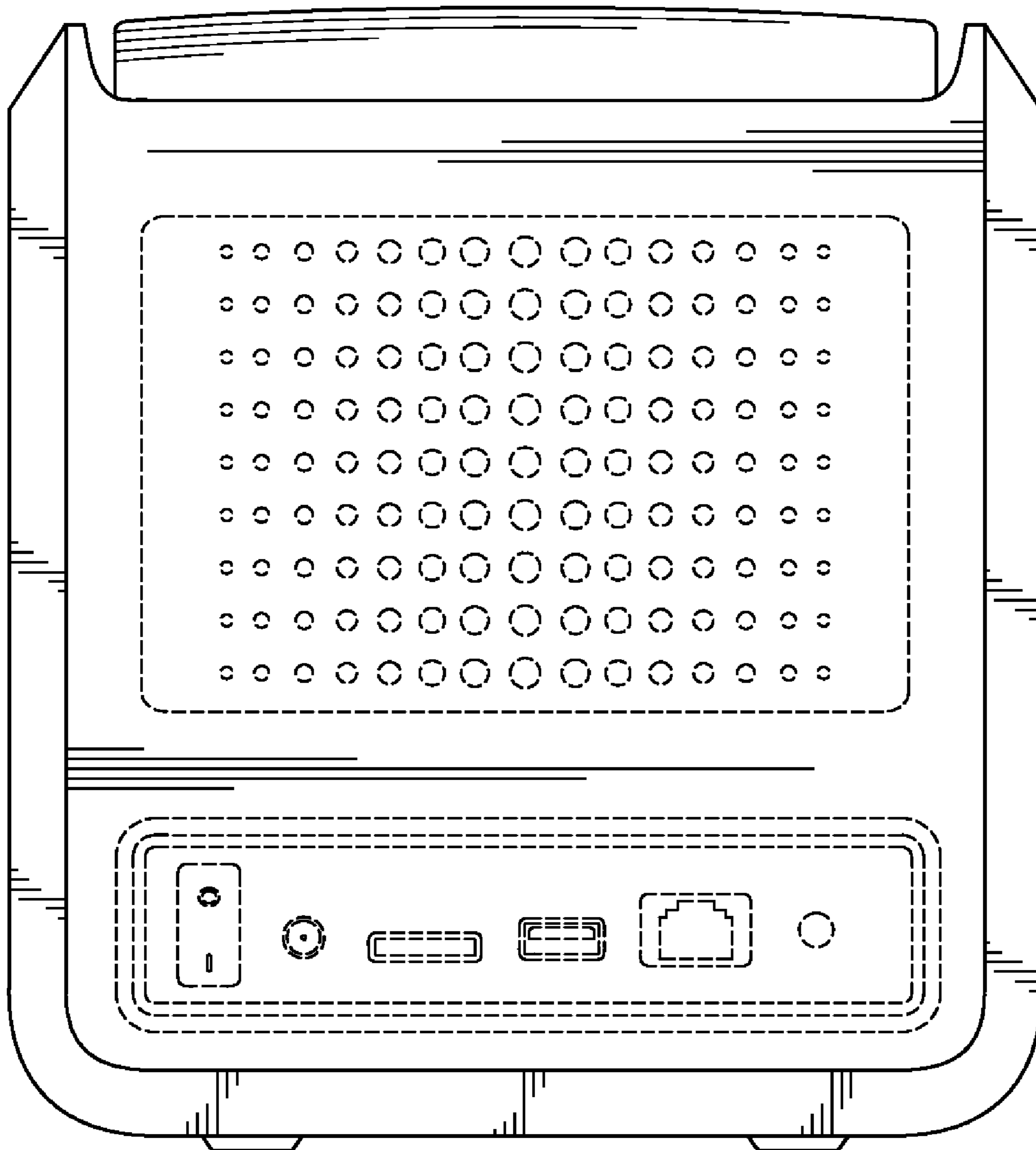


FIG. 3

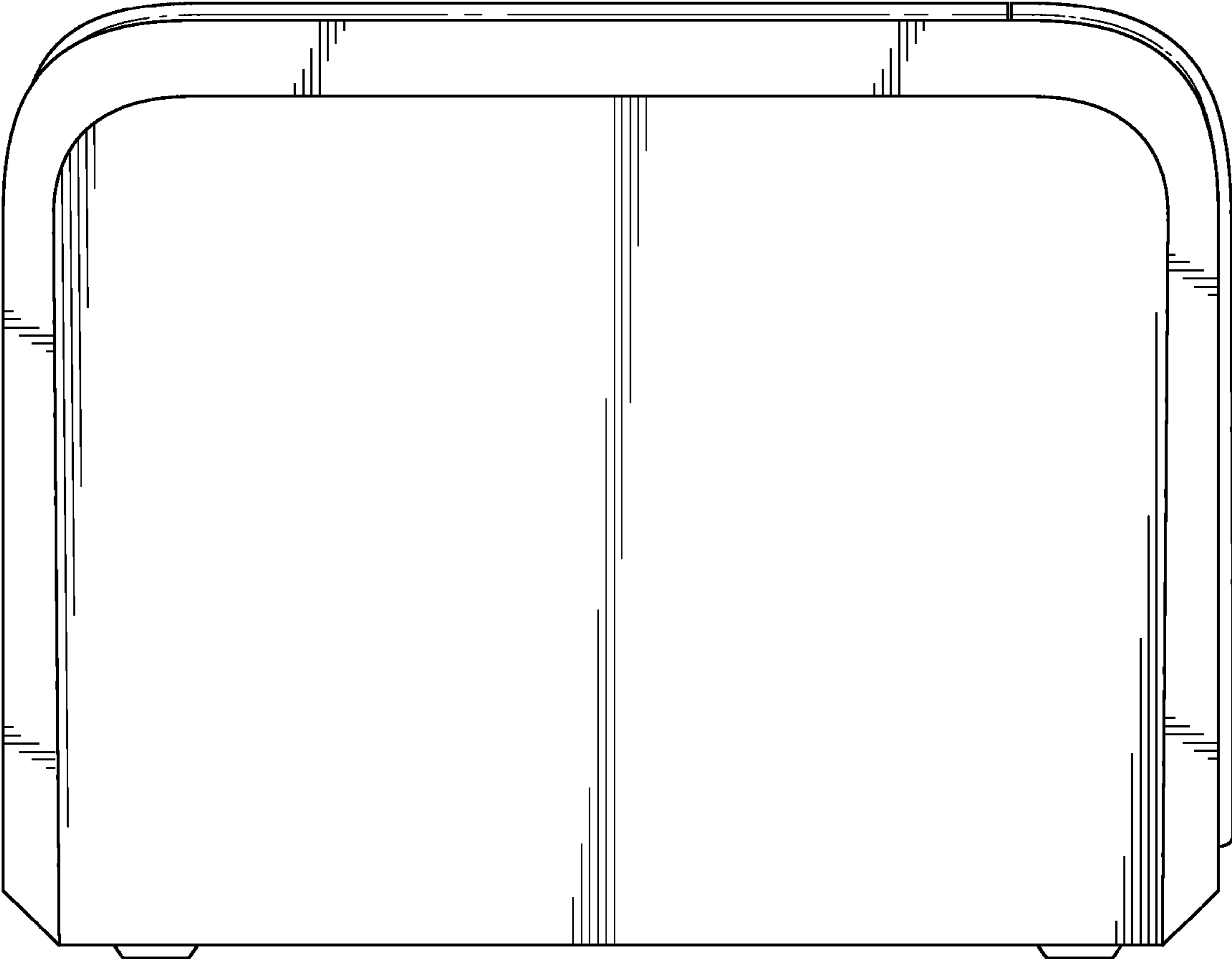


FIG. 4

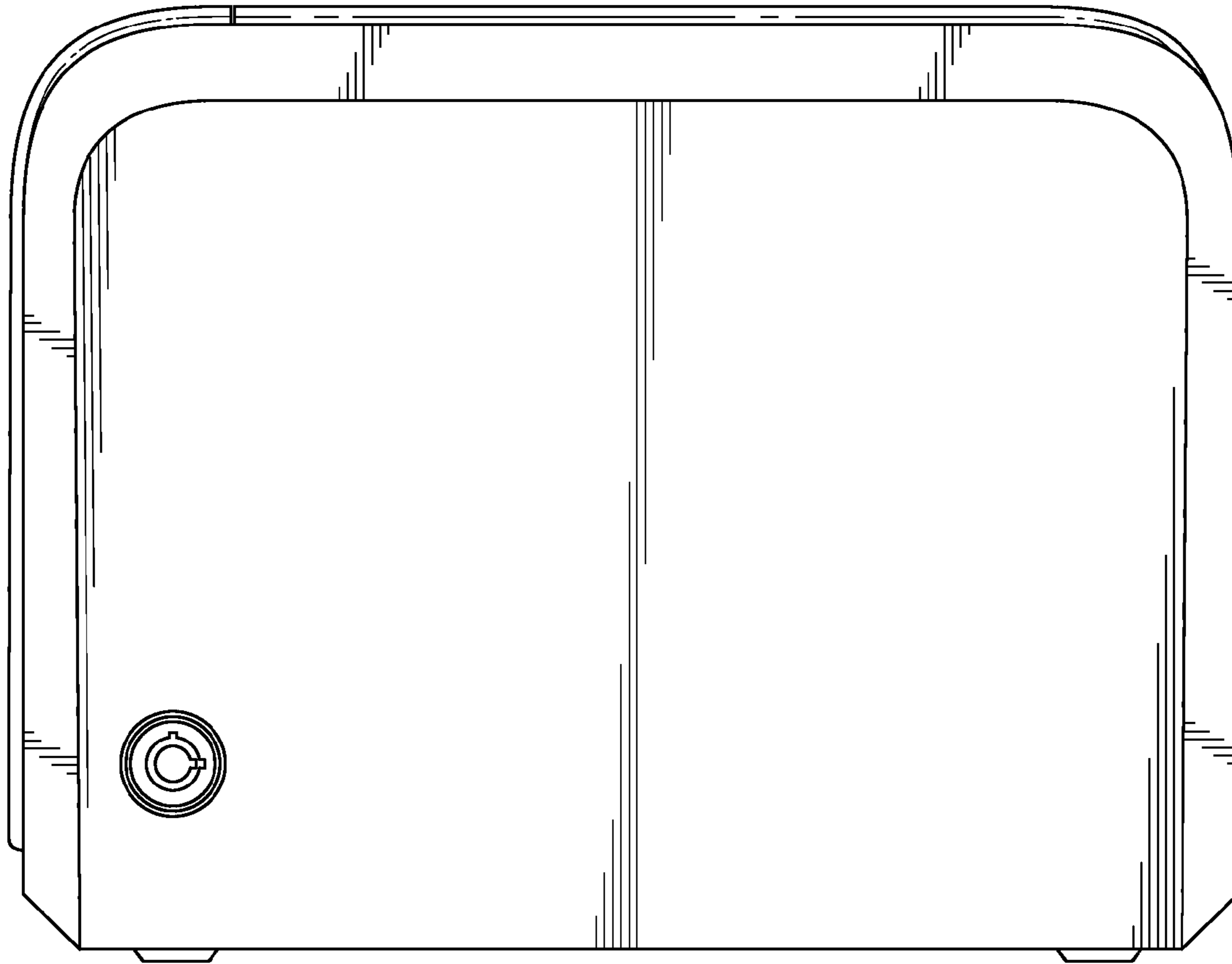


FIG. 5

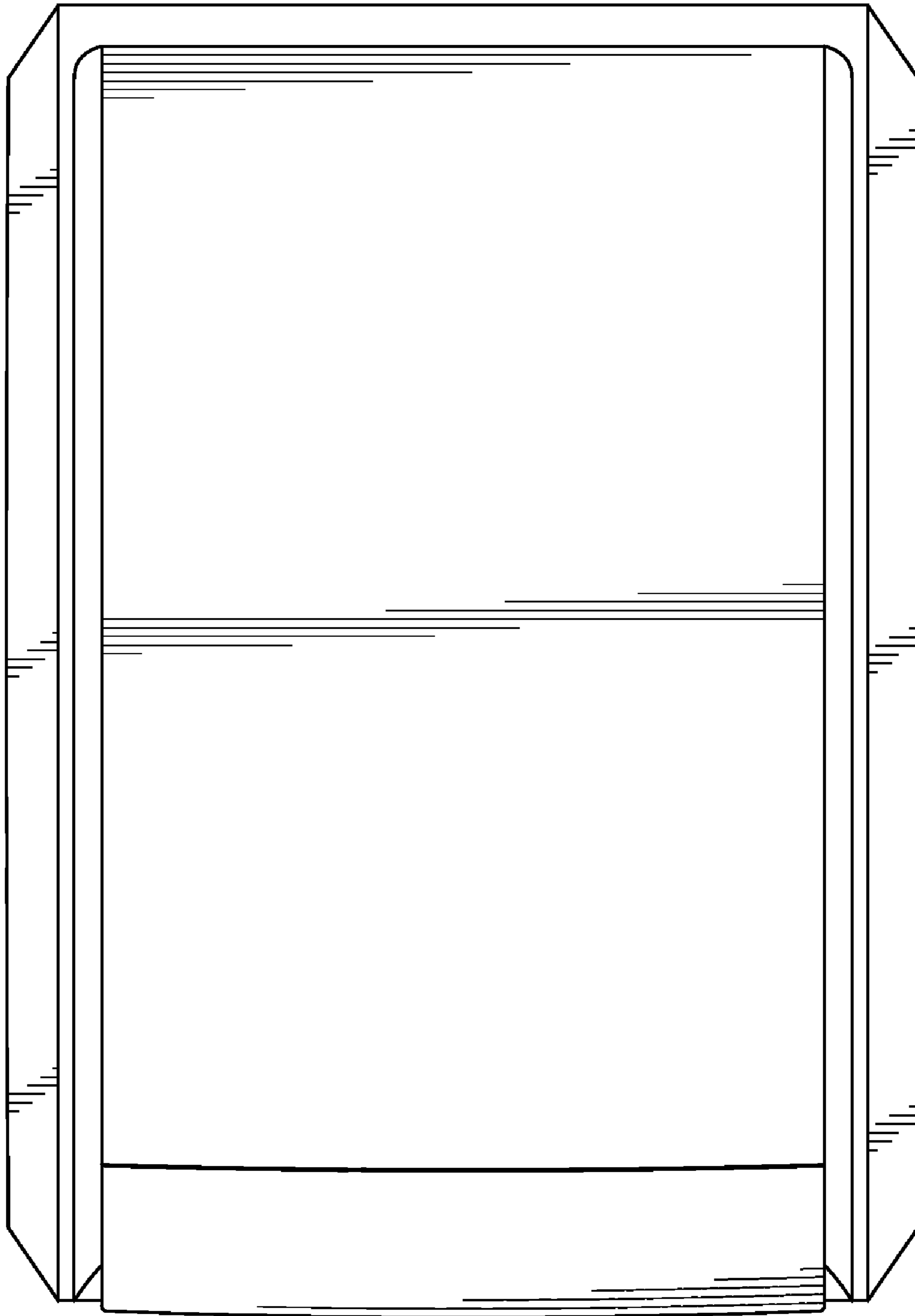


FIG. 6

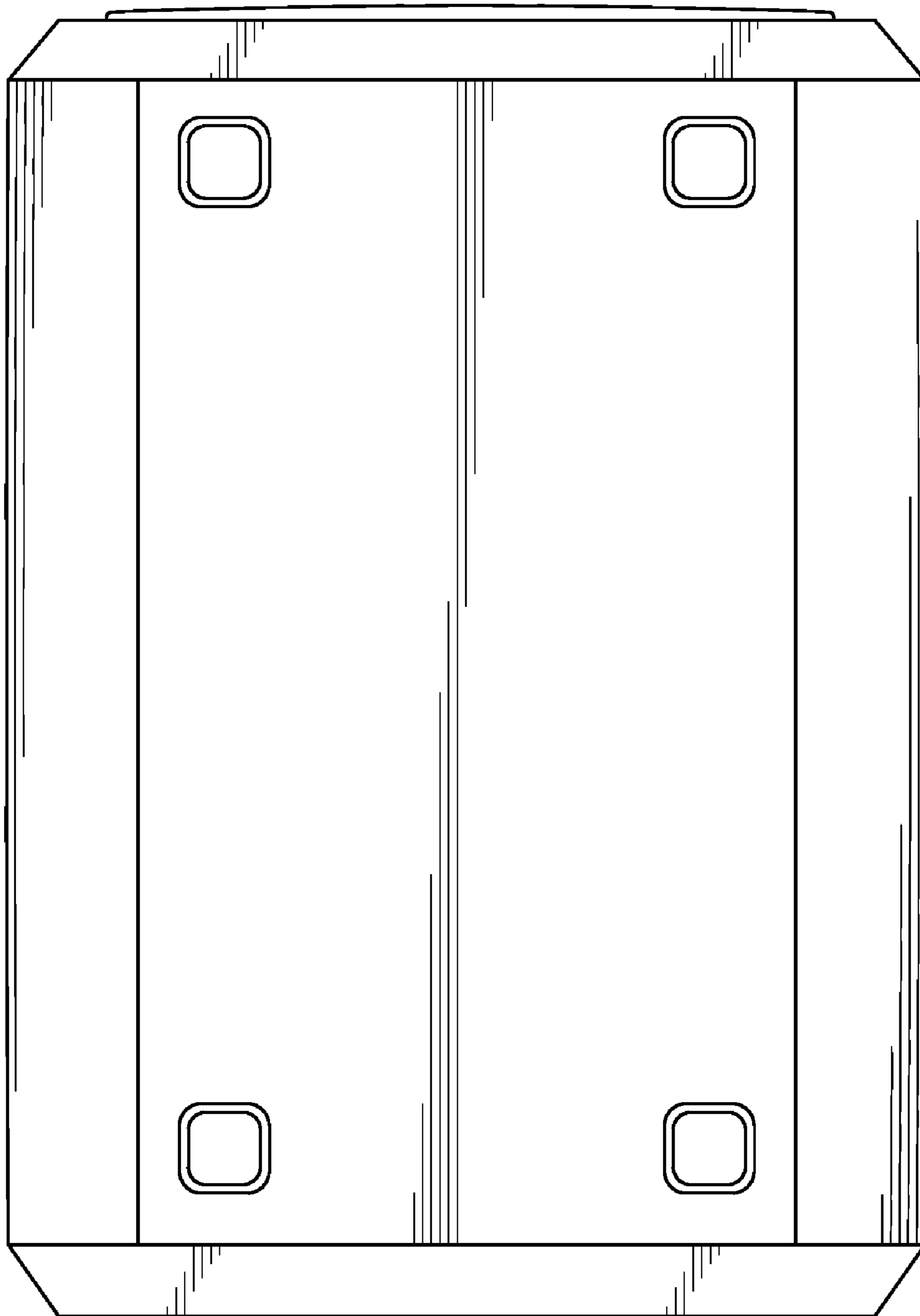


FIG. 7