



US00D602933S

(12) **United States Design Patent**
Huang et al.

(10) **Patent No.:** **US D602,933 S**
(45) **Date of Patent:** **** Oct. 27, 2009**

(54) **PORTABLE COMPUTER**
(75) Inventors: **Chih-Hua Huang**, Taipei County (TW);
Ching-Feng Hsieh, Taipei (TW)
(73) Assignee: **Askey Computer Corp.**, Taipei (TW)
(**) Term: **14 Years**
(21) Appl. No.: **29/335,747**
(22) Filed: **Apr. 21, 2009**

D571,799 S * 6/2008 Ogasawara D14/341
D572,675 S * 7/2008 Qiu et al. D14/126
7,495,895 B2 * 2/2009 Carnevali 361/679.26
D587,703 S * 3/2009 Yoon D14/341
D595,290 S * 6/2009 Takemasa D14/346
D595,291 S * 6/2009 Takemasa D14/346

* cited by examiner

Primary Examiner—Jennifer Rivard
Assistant Examiner—Angela J Lee
(74) *Attorney, Agent, or Firm*—Muncy, Geissler, Olds & Lowe, PLLC

(30) **Foreign Application Priority Data**
Mar. 27, 2009 (TW) 98301321

(57) **CLAIM**

The ornamental design for a “portable computer,” as shown and described.

(51) **LOC (9) Cl.** **14-02**
(52) **U.S. Cl.** **D14/346**
(58) **Field of Classification Search** D14/341–347,
D14/137, 138, 138 AA, 138 R, 138 AB, 138 AC,
D14/138 AD, 138 C, 138 G, 496, 203.1,
D14/203.3, 203.4, 203.5, 203.6, 203.7, 426,
D14/427, 428, 429, 129, 130; D21/333,
D21/324, 329, 330; D18/7; D10/65; 455/556.1,
455/556.2, 566, 575.1, 575.3, 575.4, 90.3;
D19/60; 379/433.04, 433.07, 433.11, 433.12,
379/433.13, 910, 916; 345/169, 901, 905
See application file for complete search history.

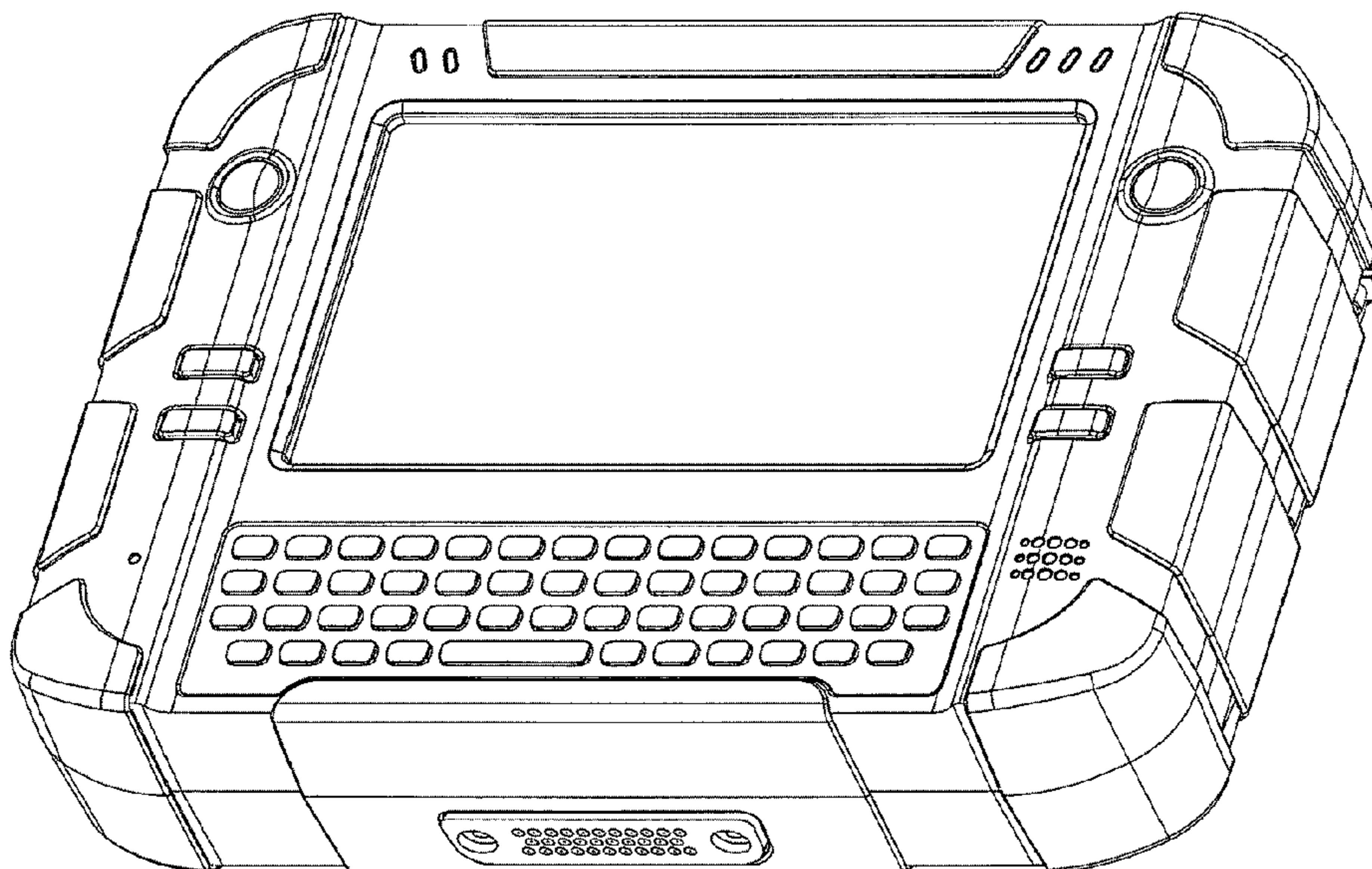
DESCRIPTION

FIG. 1 is a perspective view of a portable computer showing my new design;
FIG. 2 is a front elevation thereof;
FIG. 3 is a rear elevation thereof;
FIG. 4 is a left side elevation thereof;
FIG. 5 is a right side elevation thereof;
FIG. 6 is a top plan view thereof;
FIG. 7 is a bottom plan view thereof; and,
FIG. 8 is a perspective view showing the portable computer in a position of use.

The broken lines shown in FIG. 8 are included for the purpose of illustrating environment and form no part of the claimed design.

(56) **References Cited**
U.S. PATENT DOCUMENTS
D366,220 S * 1/1996 Sakamoto D10/65
5,613,223 A * 3/1997 Ross et al. 455/575.1
D453,757 S * 2/2002 Maio et al. D14/340
D492,306 S * 6/2004 Martin et al. D14/346
D551,664 S * 9/2007 Lin et al. D14/341
D551,665 S * 9/2007 Tom et al. D14/346

1 Claim, 5 Drawing Sheets



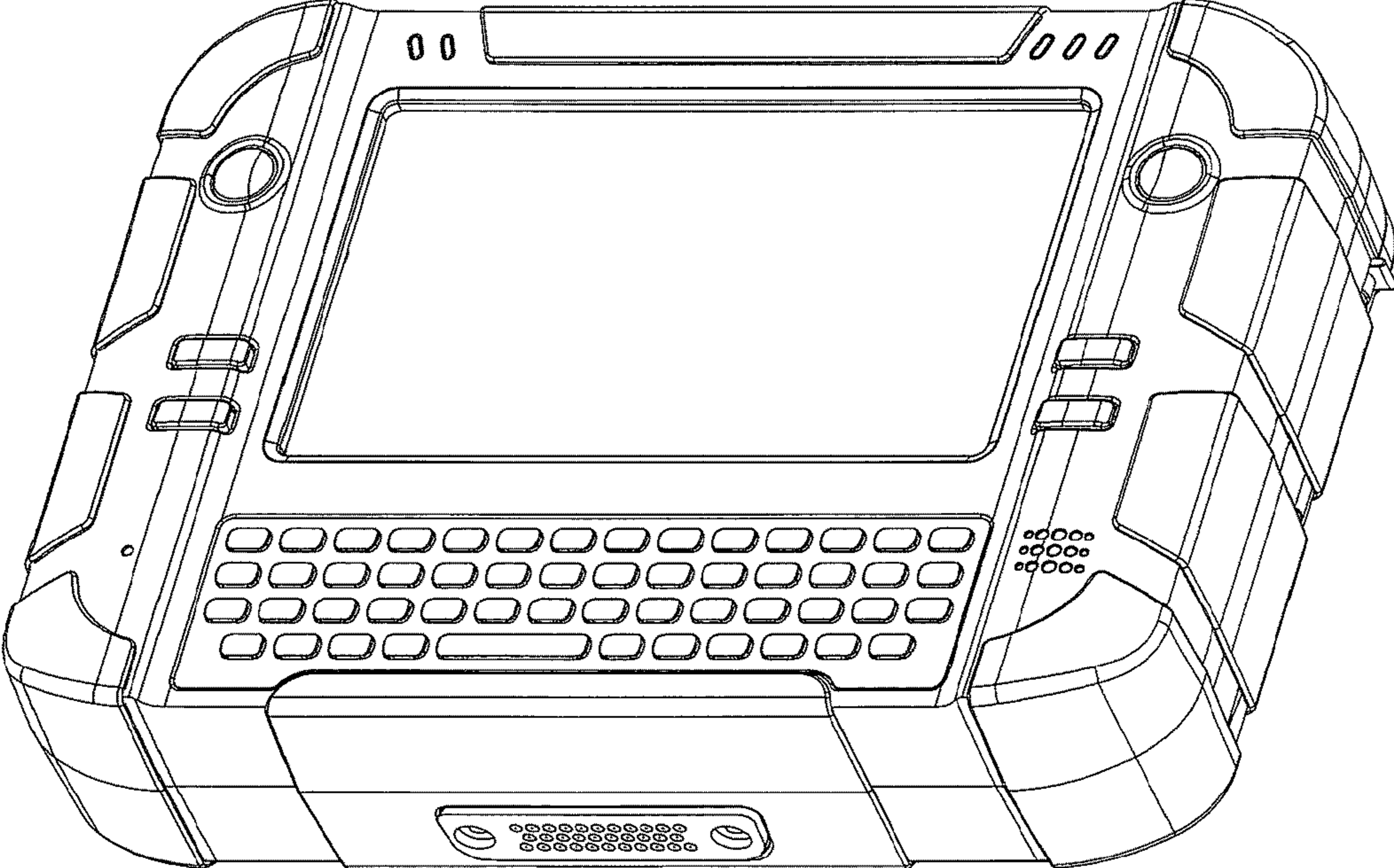


Fig. 1

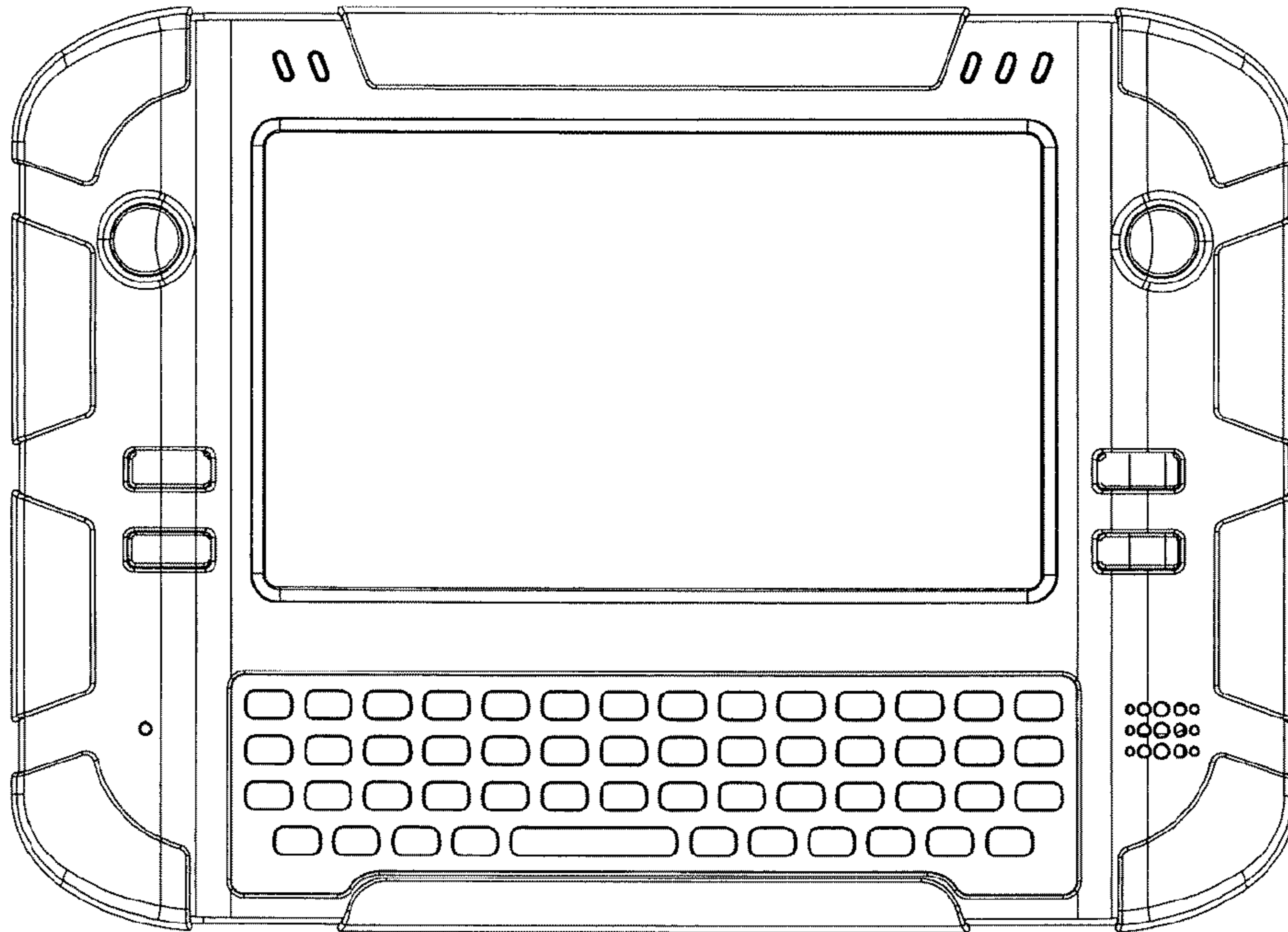


Fig. 2

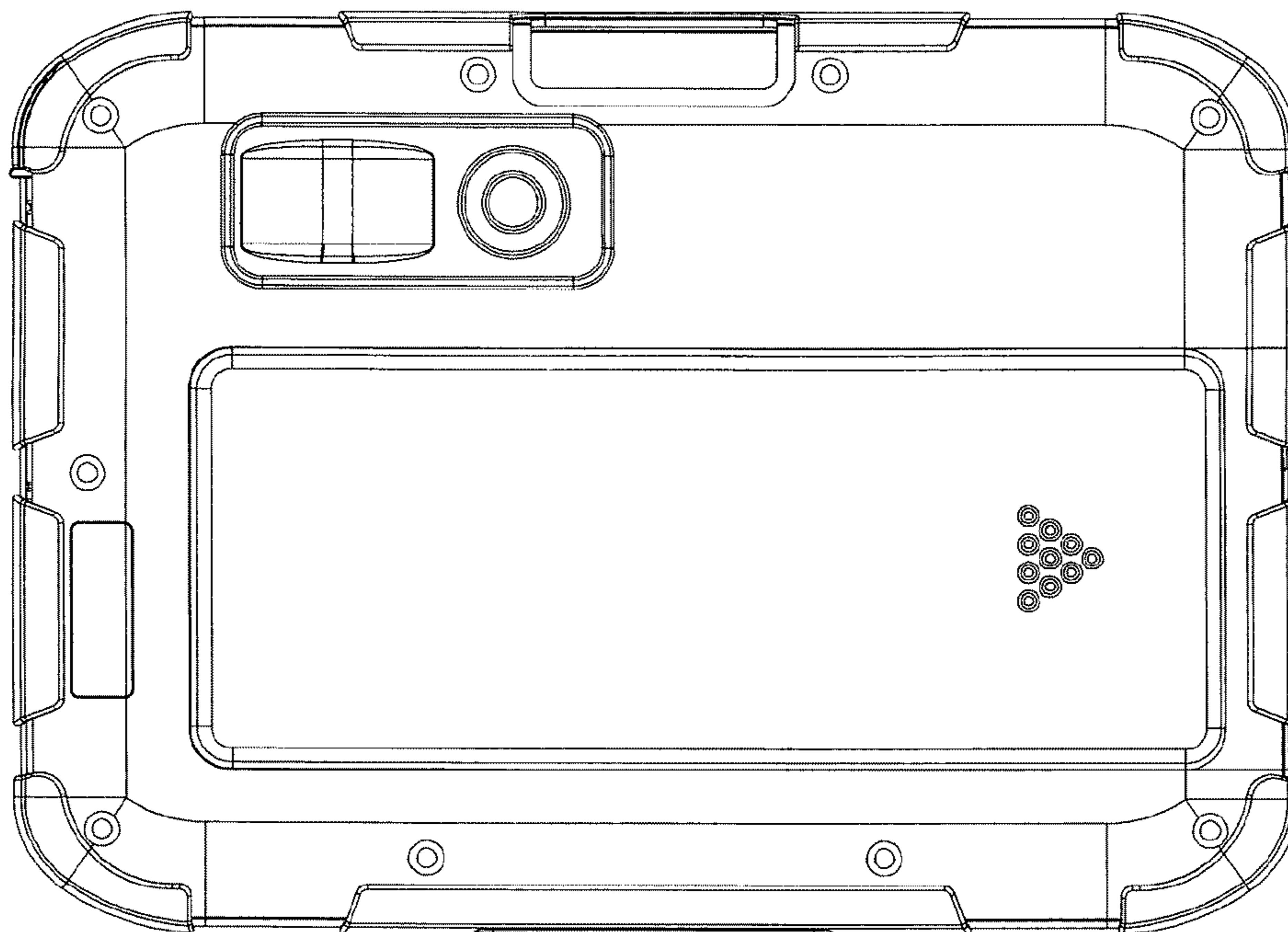


Fig. 3

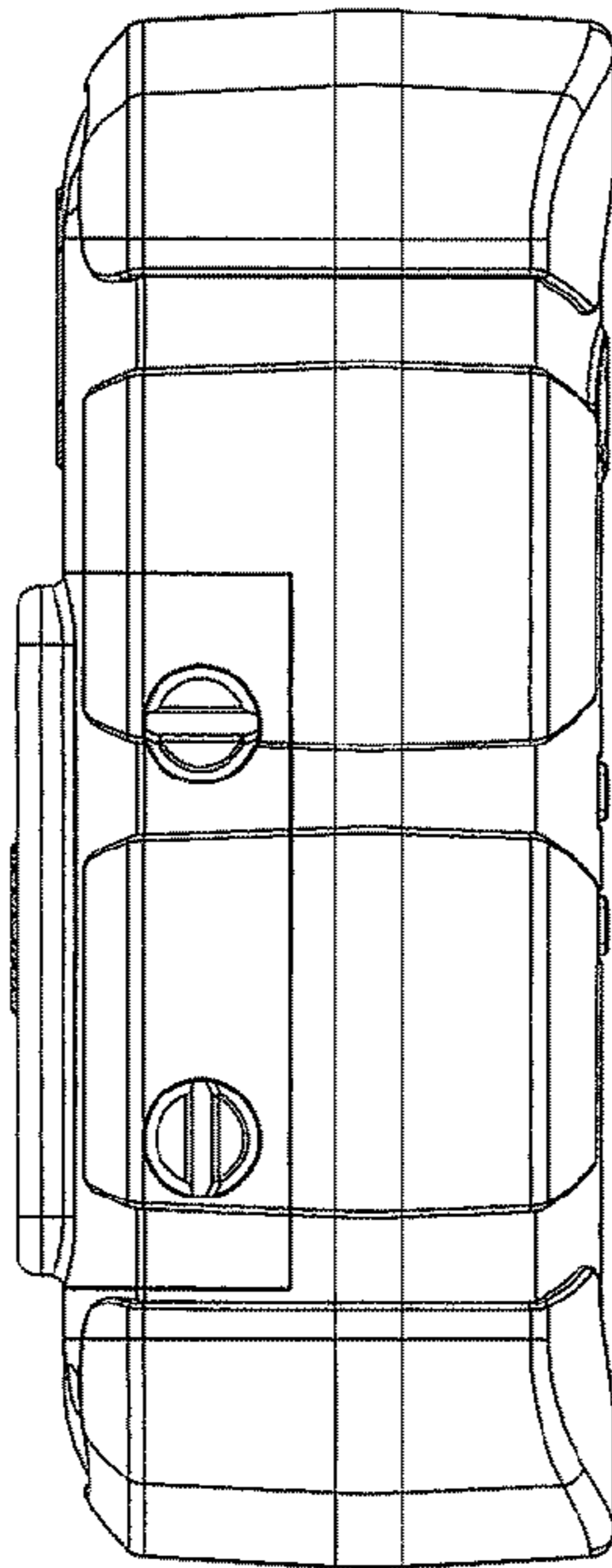


Fig. 4

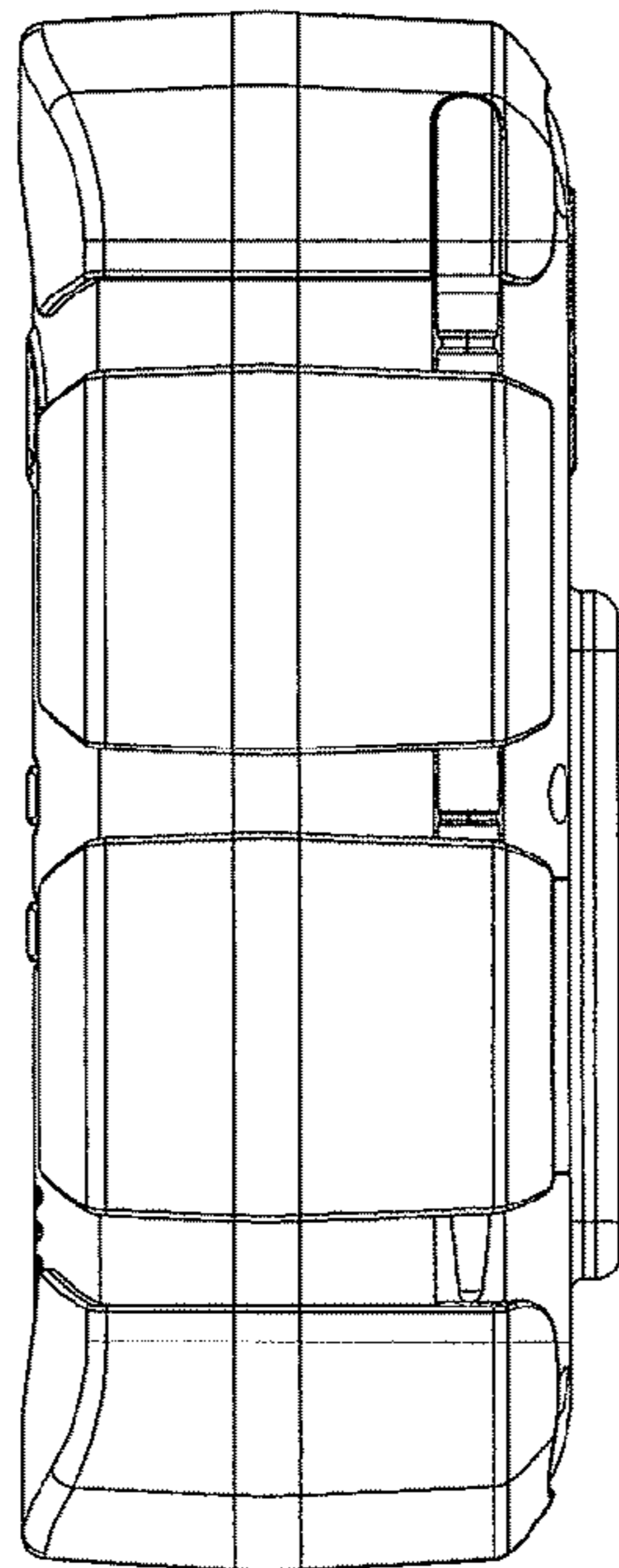


Fig. 5

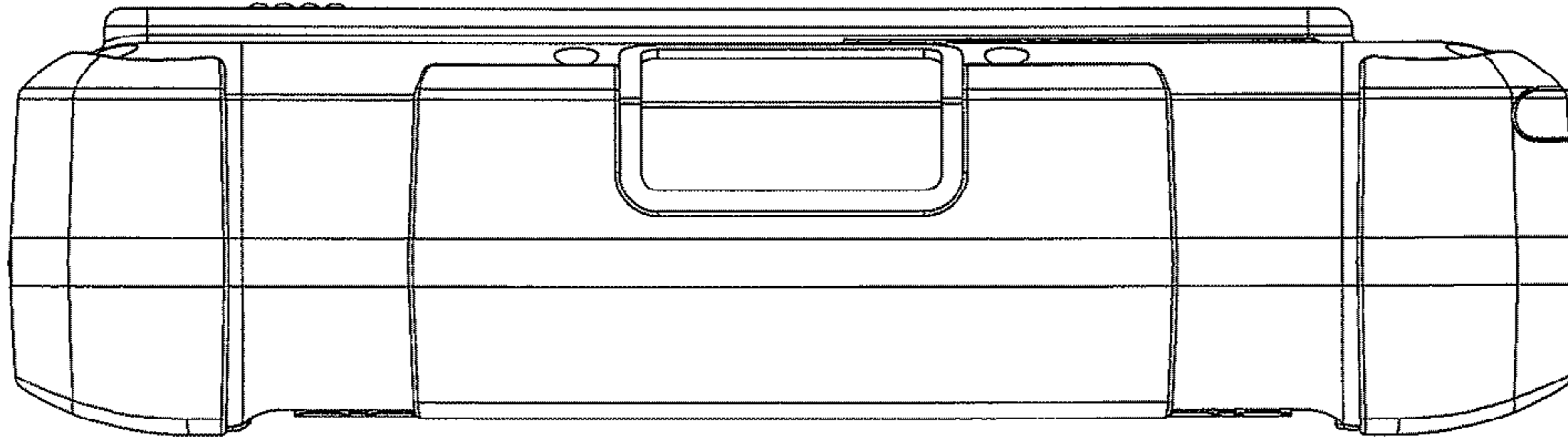


Fig. 6

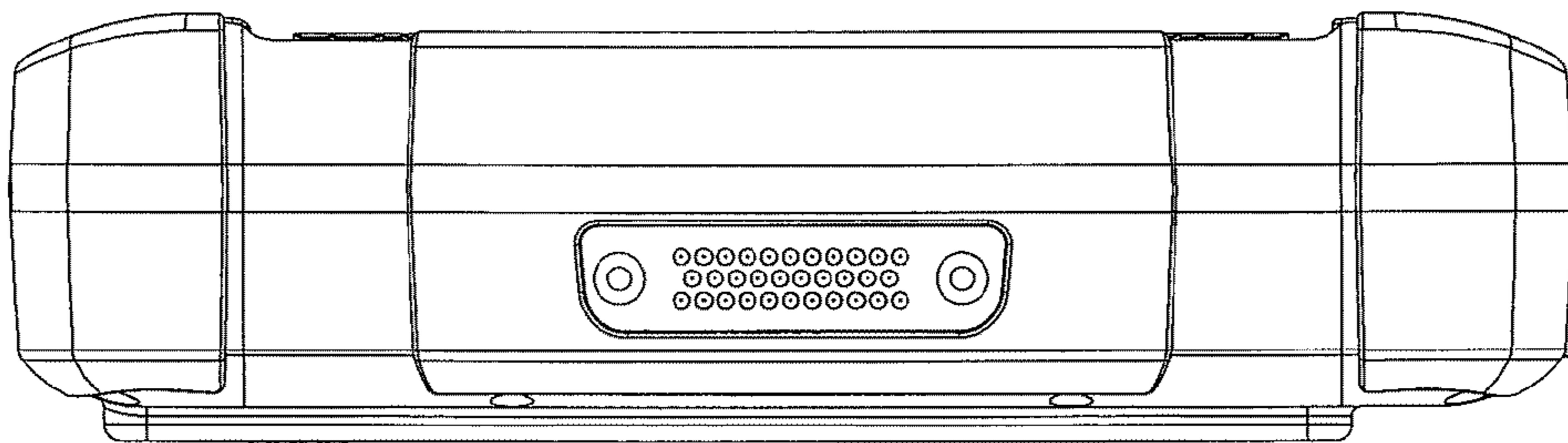


Fig. 7

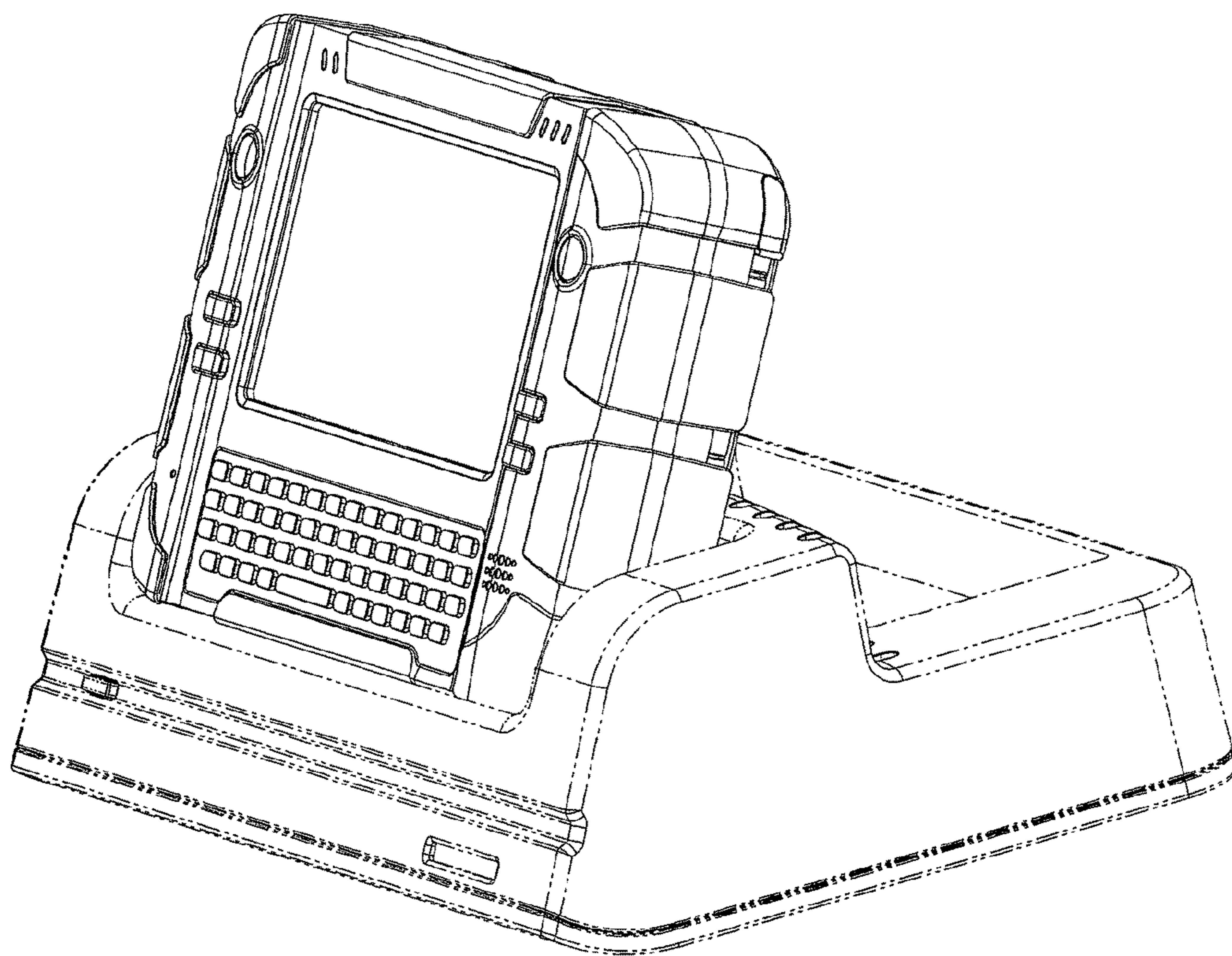


Fig. 8