



US00D602929S

(12) **United States Design Patent**
Quilling, II

(10) **Patent No.:** **US D602,929 S**

(45) **Date of Patent:** **** Oct. 27, 2009**

(54) **AUTO STEREO MOUNTING DEVICE WITH POCKET**

7,434,860 B2 * 10/2008 Chen 296/37.8
D582,908 S * 12/2008 Quilling D14/258

(75) Inventor: **R. Spencer Quilling, II**, DeLand, FL (US)

* cited by examiner

Primary Examiner—Nanda Bondade

(73) Assignee: **Metra Electronics**, Holly Hills, FL (US)

(74) *Attorney, Agent, or Firm*—J. Wiley Horton

(**) Term: **14 Years**

(57) **CLAIM**

(21) Appl. No.: **29/314,273**

The ornamental design for an “auto stereo mounting device with pocket”, as shown and described.

(22) Filed: **Mar. 18, 2009**

DESCRIPTION

(51) **LOC (9) Cl.** **14-01**

(52) **U.S. Cl.** **D14/258**

(58) **Field of Classification Search** D14/157,
D14/217, 224, 257–258; 360/4; 369/75.11;
720/658, 691; 455/344, 575.1

See application file for complete search history.

FIG. 1 is a perspective view of an auto stereo mounting device with pocket, showing my design;

FIG. 2 is a front elevation view of FIG. 1;

FIG. 3 is a rear elevation view of FIG. 1;

FIG. 4 is a right side elevation view of FIG. 1;

FIG. 5 is a left side elevation view of FIG. 1;

FIG. 6 is a top plan view of FIG. 1; and,

FIG. 7 is a bottom plan view of FIG. 1.

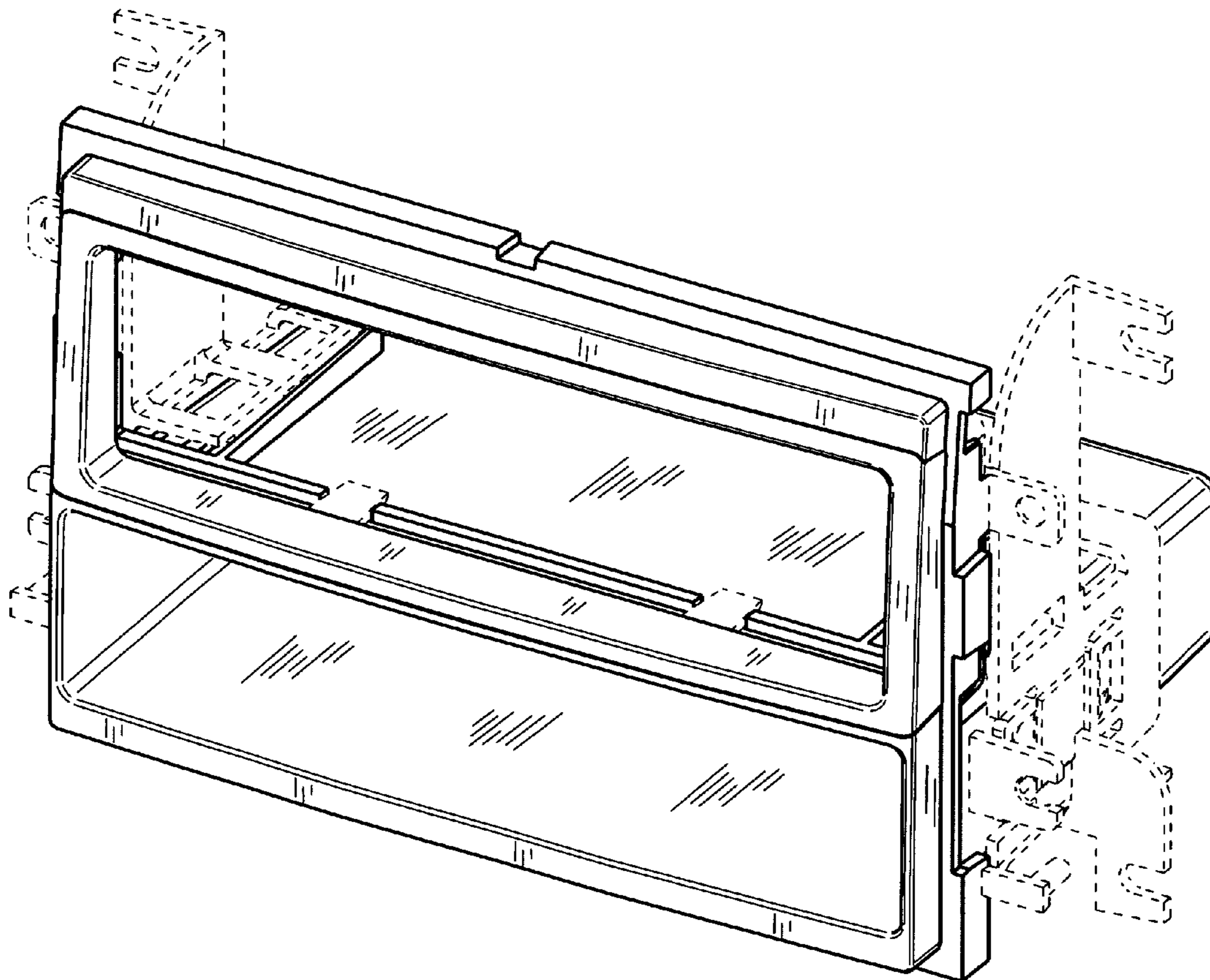
The broken lines shown in all views illustrate mounting features which form no part of the claimed design.

(56) **References Cited**

U.S. PATENT DOCUMENTS

D484,495 S	*	12/2003	Quilling et al.	D14/224
D485,260 S	*	1/2004	Quilling et al.	D14/224
D504,423 S	*	4/2005	Quilling, II	D14/258
D531,879 S	*	11/2006	Quilling, II	D14/258
D555,645 S	*	11/2007	Quilling, II	D14/258

1 Claim, 7 Drawing Sheets



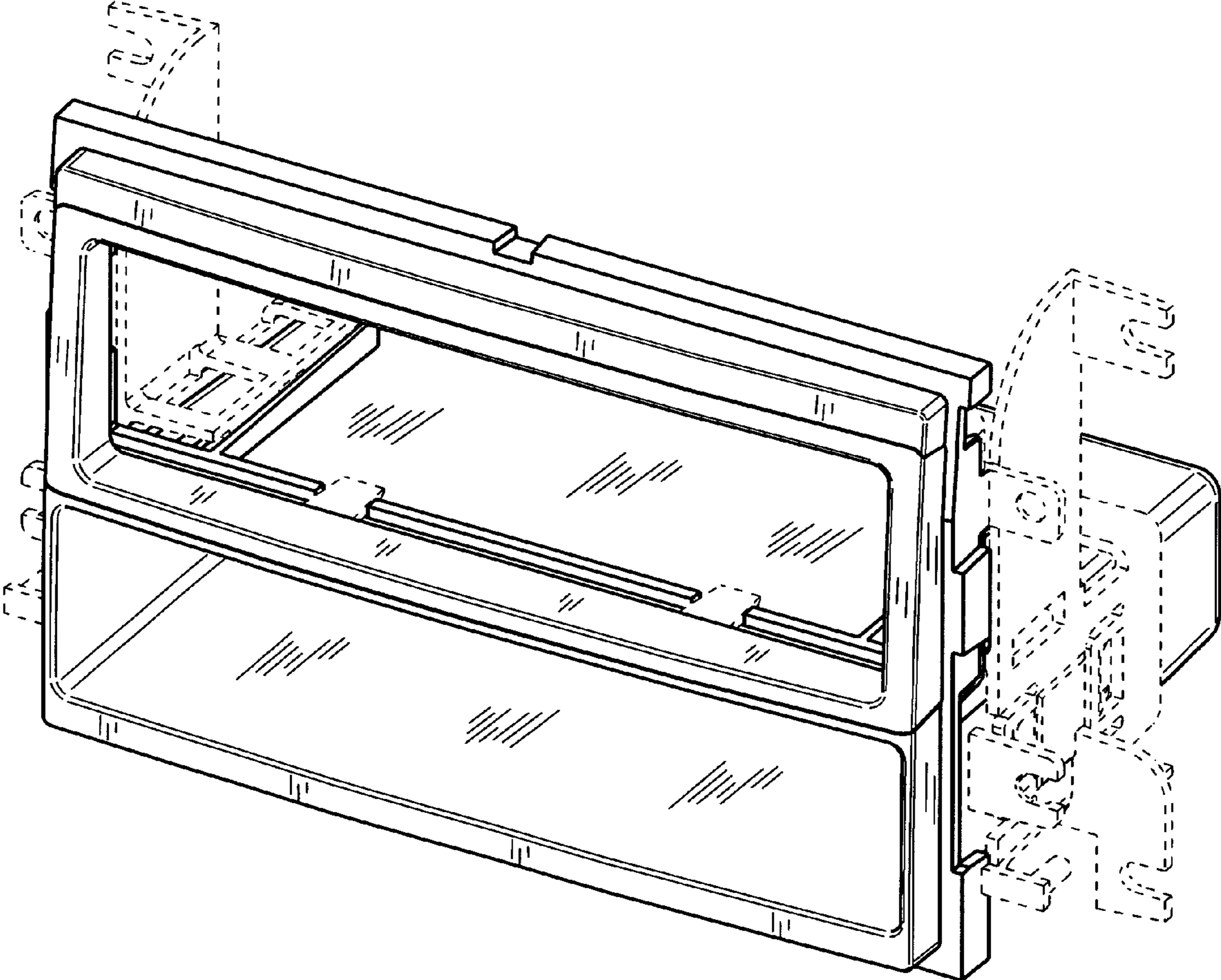


FIG. 1

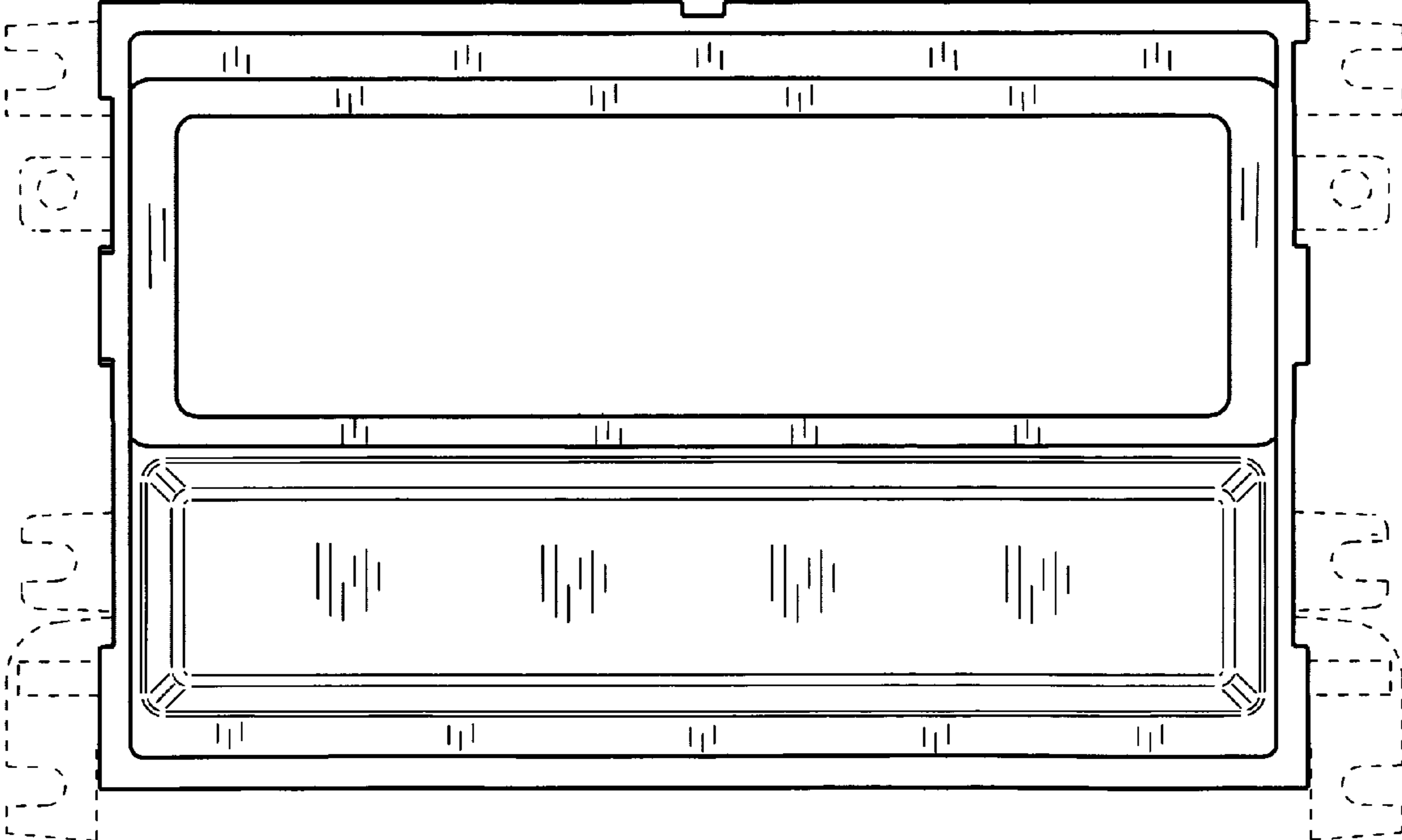


FIG. 2

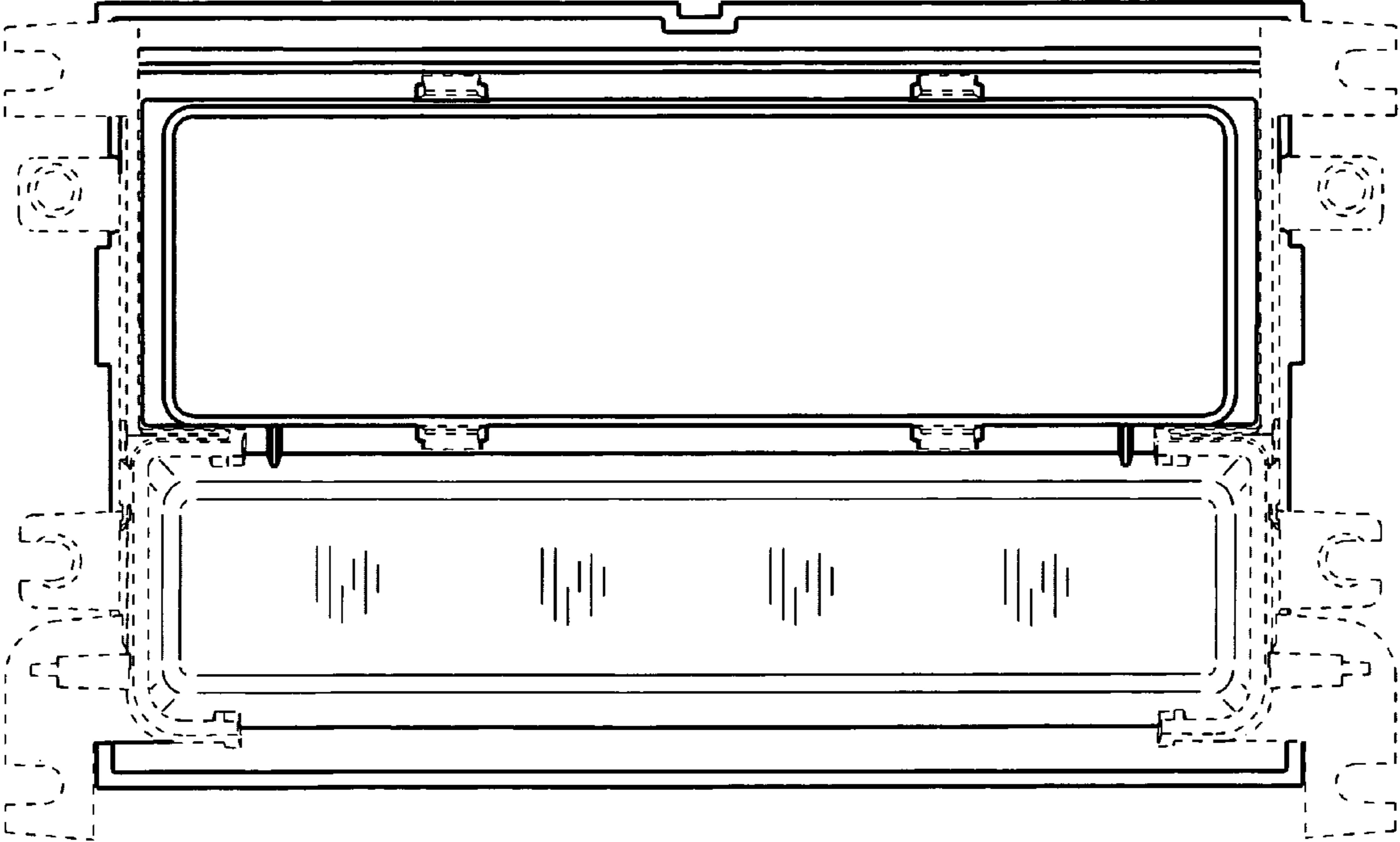


FIG. 3

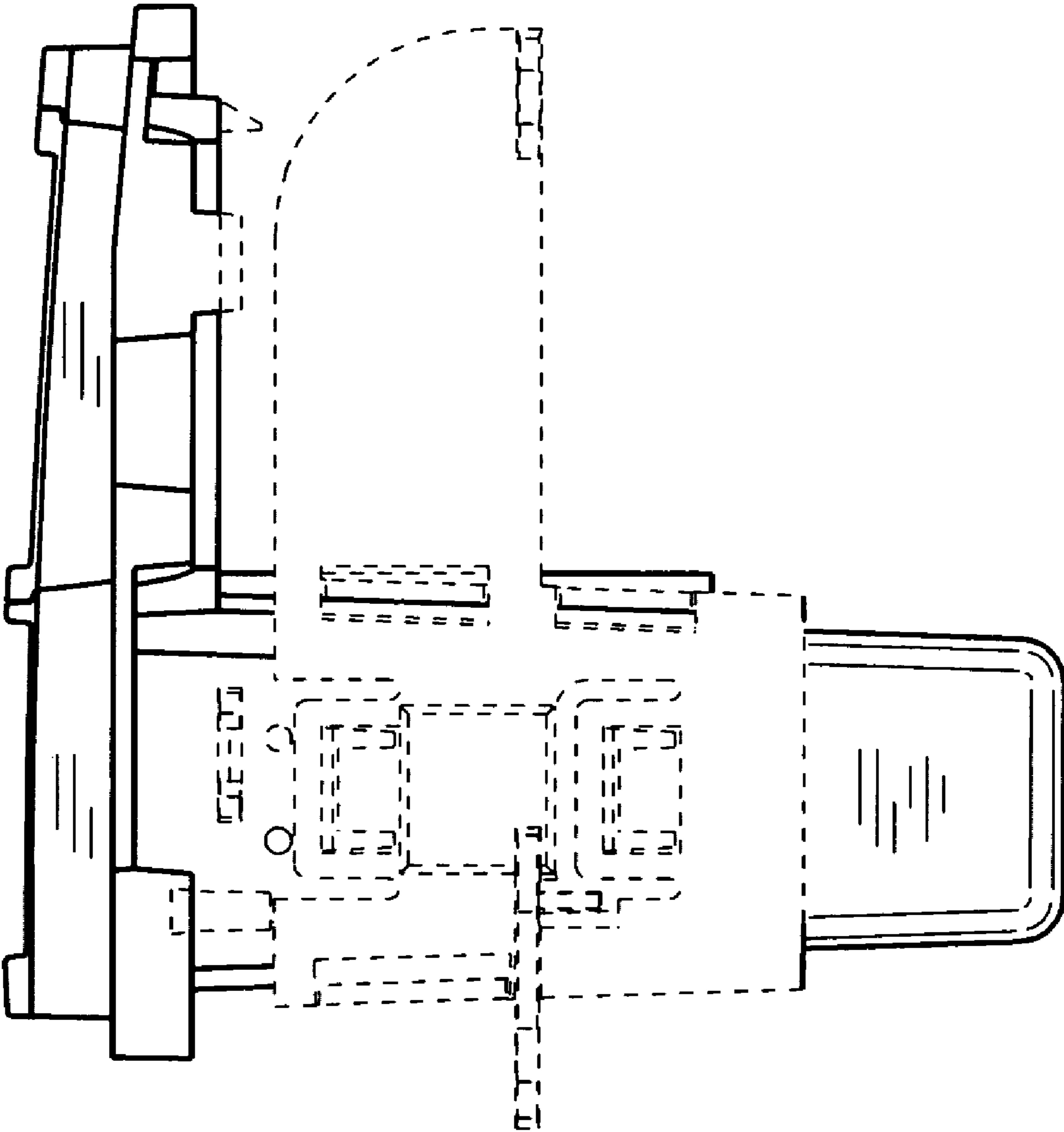


FIG. 4

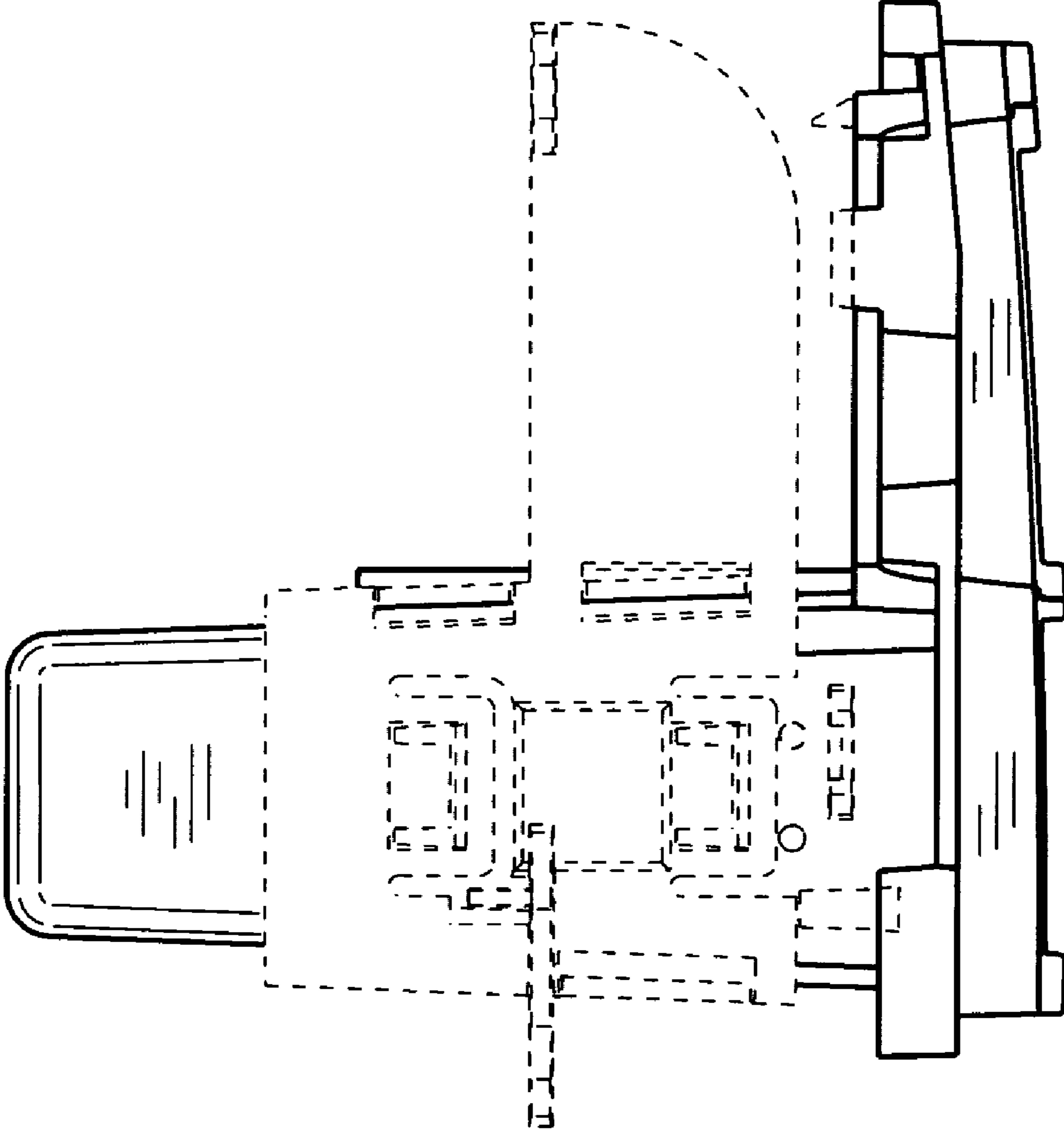


FIG. 5

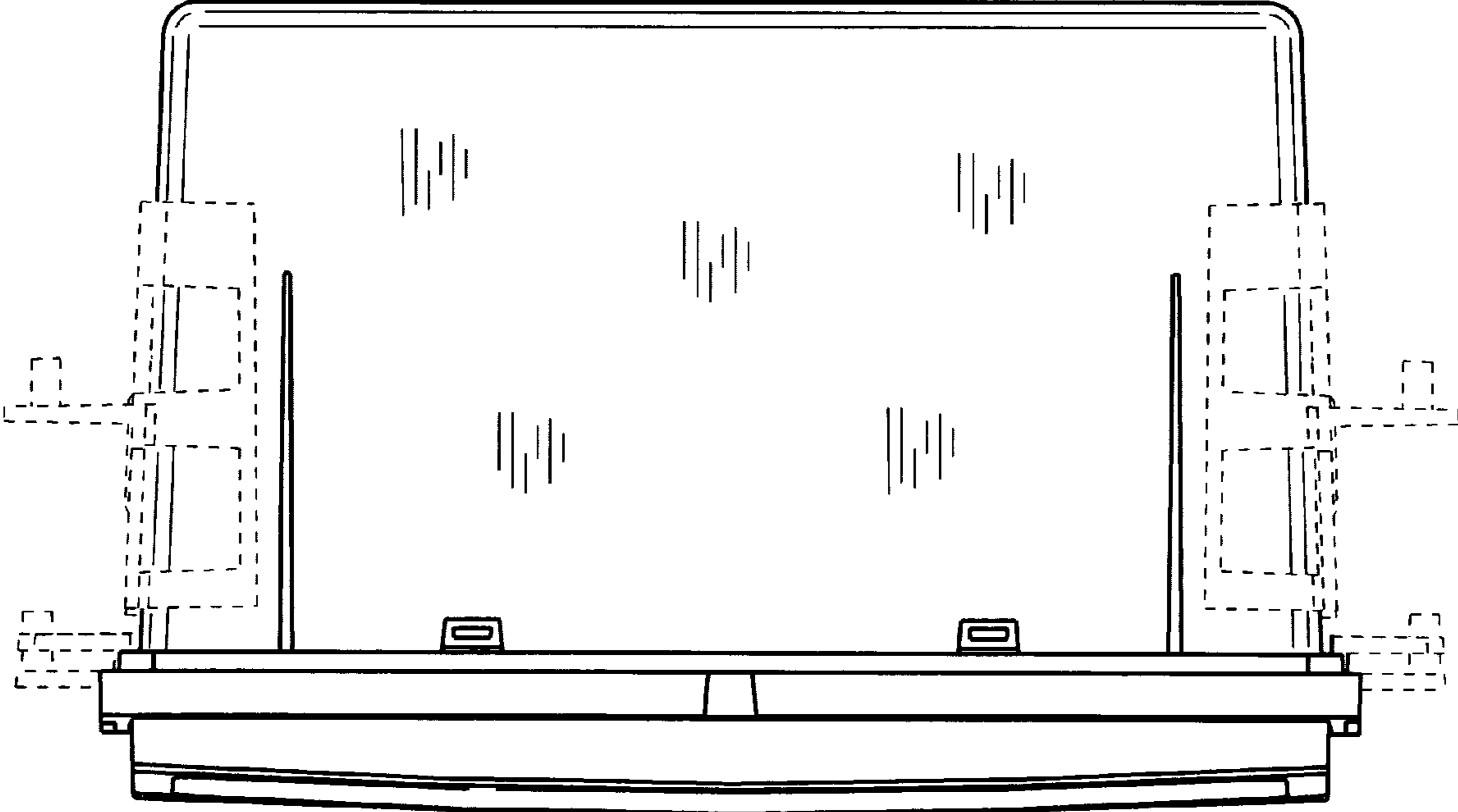


FIG. 6

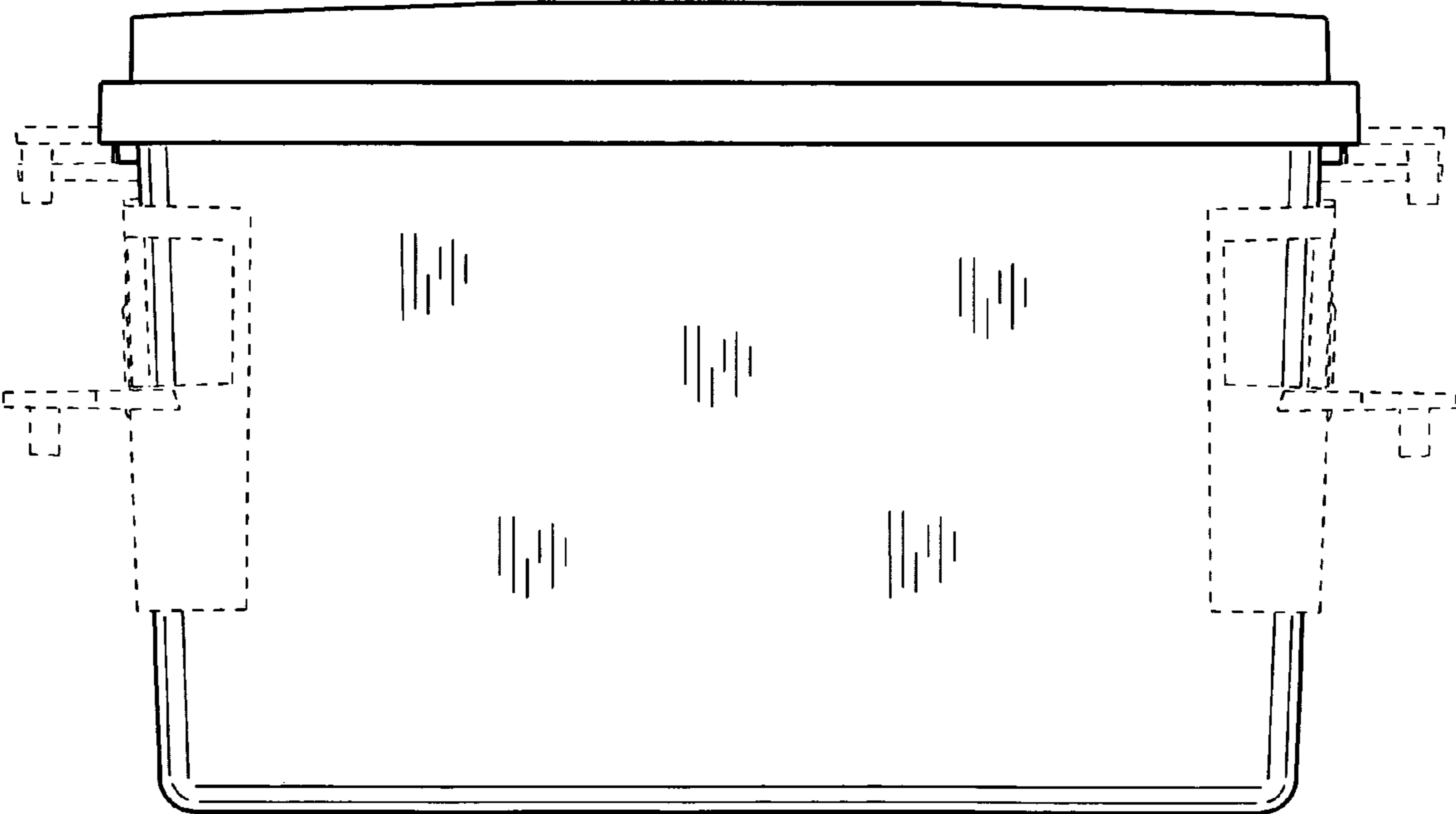


FIG. 7