



US00D602928S

(12) **United States Design Patent**
Kimura et al.

(10) **Patent No.:** **US D602,928 S**

(45) **Date of Patent:** **** Oct. 27, 2009**

(54) **DIGITAL AUDIO DISC PLAYER WITH RADIO
TUNER FOR AUTOMOBILE**

(75) Inventors: **Kenji Kimura**, Ibarakiken (JP); **Yuichi Yanai**, Tokyo (JP)

(73) Assignee: **Victor Company of Japan, Limited**, Kanagawa (JP)

(**) Term: **14 Years**

(21) Appl. No.: **29/313,691**

(22) Filed: **Feb. 3, 2009**

(30) **Foreign Application Priority Data**

Aug. 6, 2008 (JP) 2008-020285

(51) **LOC (9) Cl.** **14-01**

(52) **U.S. Cl.** **D14/258; D14/157**

(58) **Field of Classification Search** D14/496,
D14/498-505, 511, 157, 167-168, 188, 197-198,
D14/257-258; 360/99.02, 99.07; 369/75.11,
369/75.21, 77.11, 77.21; 720/601, 612, 619,
720/649, 655; 455/344, 347-351

See application file for complete search history.

(56) **References Cited**

U.S. PATENT DOCUMENTS

5,848,042 A * 12/1998 Takahashi et al. 720/647

D475,691 S * 6/2003 Nishii et al. D14/157

D495,678 S * 9/2004 Uehara D14/168

D528,088 S * 9/2006 Suzuki D14/505

D528,101 S * 9/2006 Yoshihara D14/157

D534,887 S * 1/2007 Endo et al. D14/168

* cited by examiner

Primary Examiner—Nanda Bondade

(74) *Attorney, Agent, or Firm*—Osha • Liang LLP

(57) **CLAIM**

The ornamental design for a digital audio disc player with radio tuner for automobile, as shown and described.

DESCRIPTION

FIG. 1 is a perspective view of the front, right side and top plan of a digital audio disc player with radio tuner for automobile showing our new design;

FIG. 2 is a front view thereof;

FIG. 3 is a rear view thereof;

FIG. 4 is a top plan view thereof;

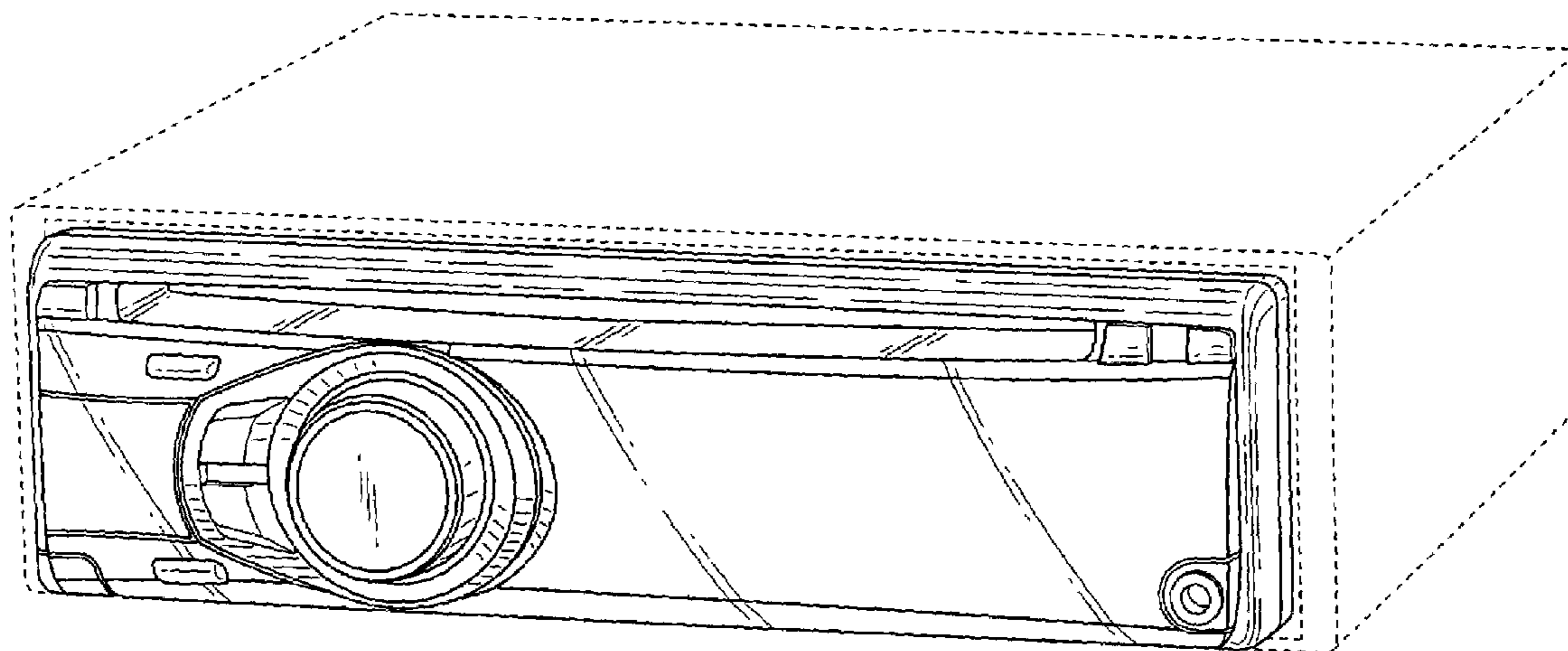
FIG. 5 is a bottom view thereof;

FIG. 6 is a right side view thereof; and,

FIG. 7 is a left side view thereof.

The elements shown in broken lines are for illustrative purposes only and form no part of the claimed design.

1 Claim, 5 Drawing Sheets



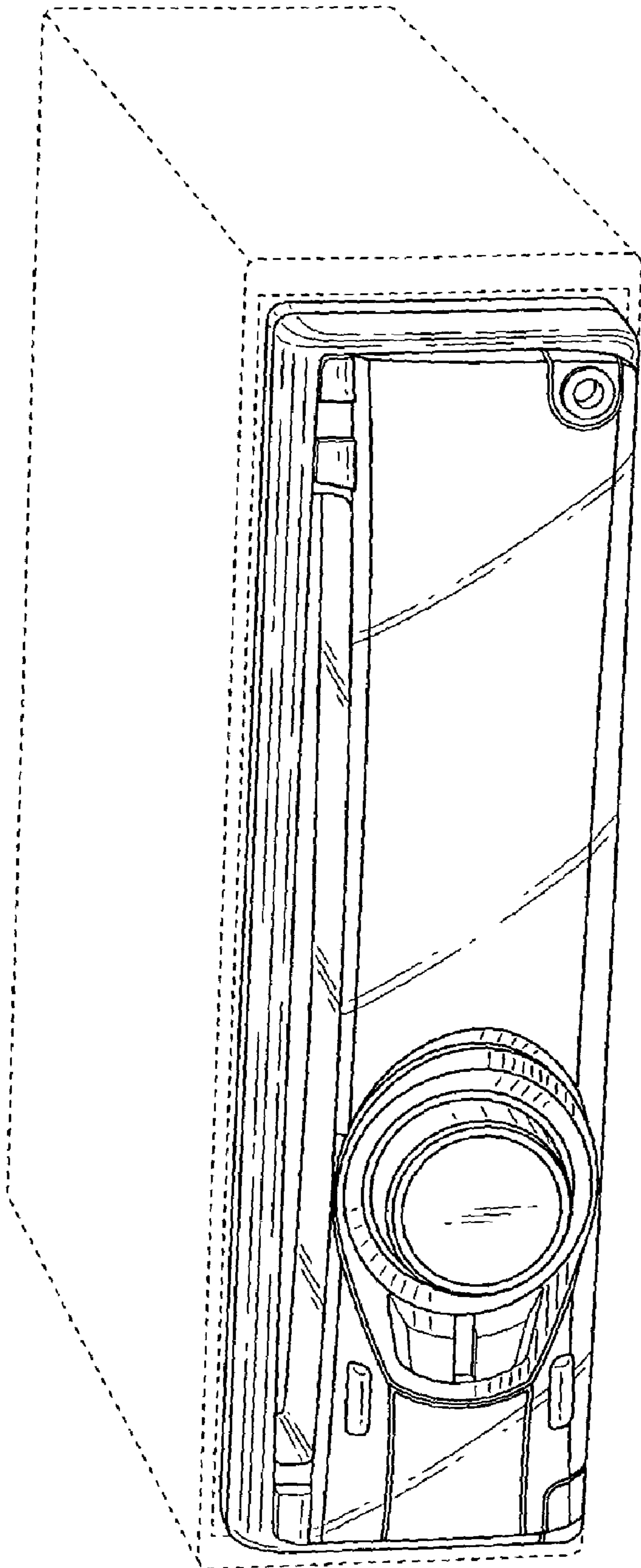


FIG. 1

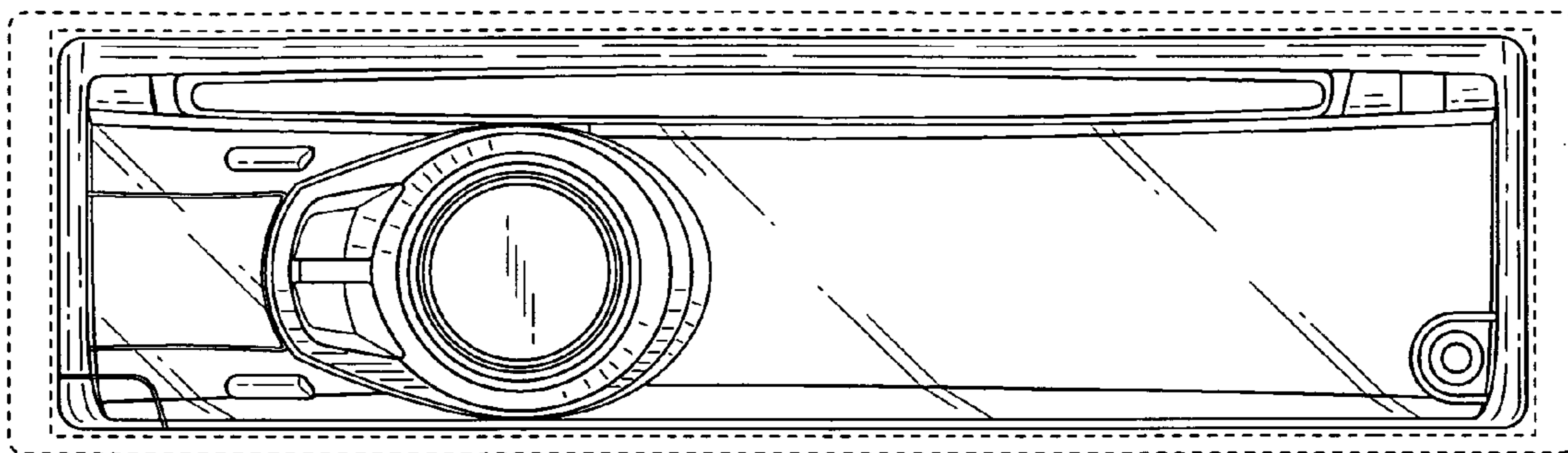


FIG. 2

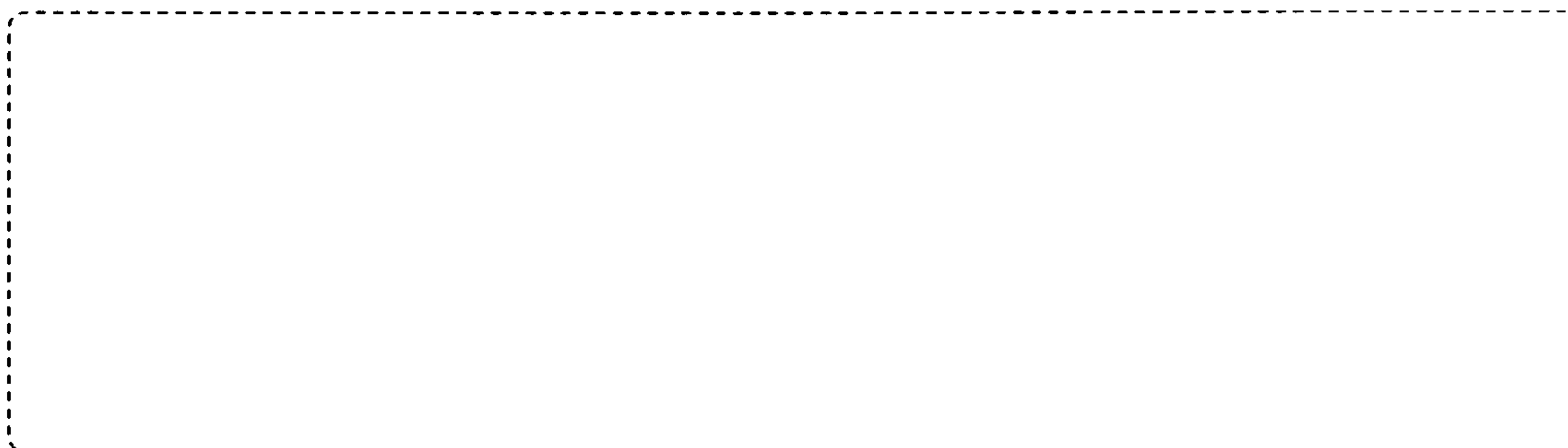


FIG. 3

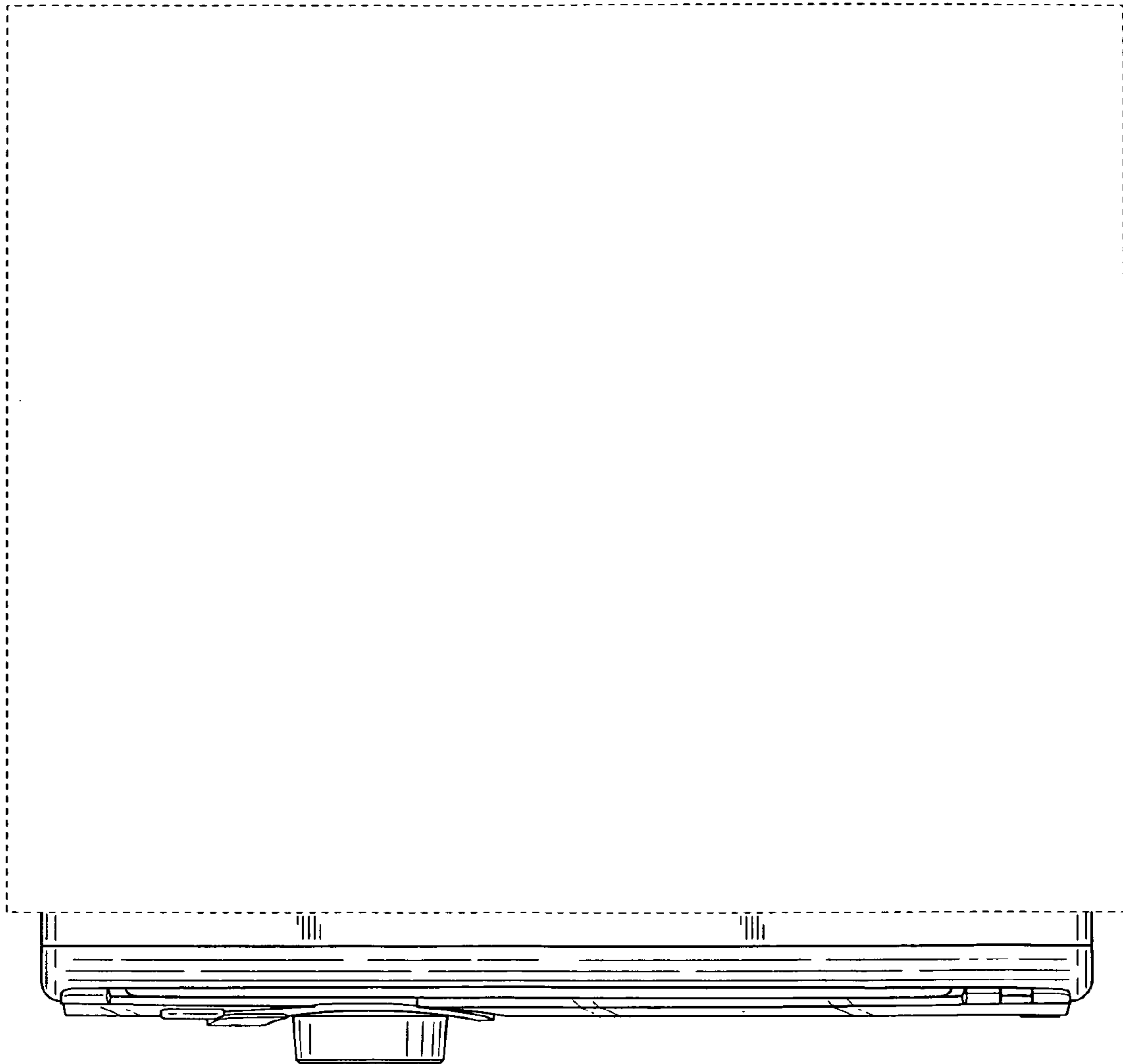


FIG. 4

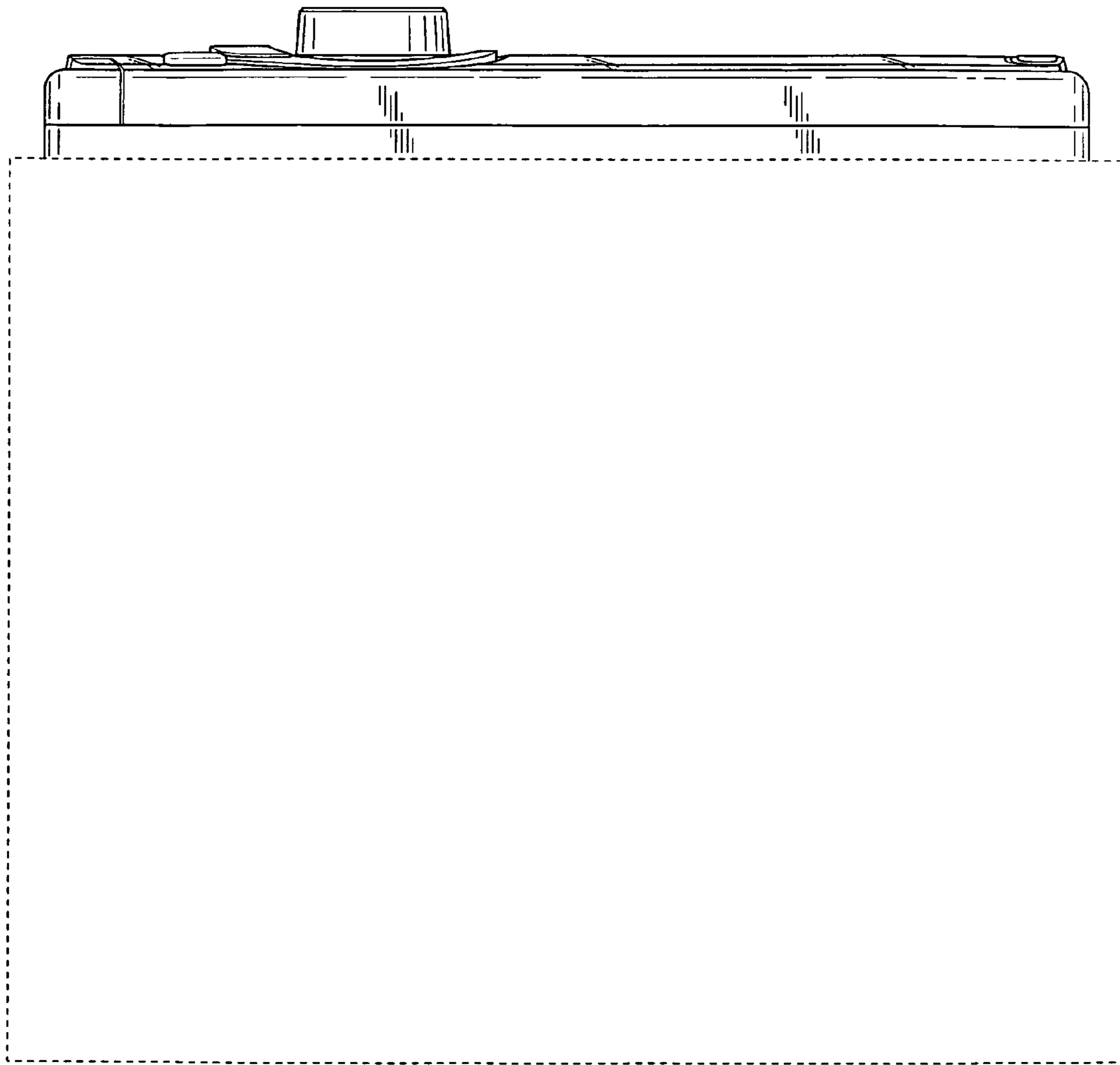


FIG. 5



FIG. 6



FIG. 7