



US00D602925S

(12) **United States Design Patent**
Rouger

(10) **Patent No.:** **US D602,925 S**

(45) **Date of Patent:** **** Oct. 27, 2009**

(54) **SET OF KEYS FOR A HANDSET HAVING AN ILLUMINATING REGION**

(75) Inventor: **Benoit Rouger**, Helsinki (FI)

(73) Assignee: **Nokia Corporation**, Espoo (FI)

(**) Term: **14 Years**

(21) Appl. No.: **29/321,261**

(22) Filed: **Jul. 14, 2008**

(51) **LOC (9) Cl.** **14-03**

(52) **U.S. Cl.** **D14/247**

(58) **Field of Classification Search** D14/137,
D14/138 R, 138 AA, 138 AB, 138 AC, 138 AD,
D14/138 C, 138 G, 147, 191, 203.1–203.8,
D14/218, 247–248, 341–347, 432, 439, 455–456,
D14/496; D10/65, 78, 104; D13/168; D18/7;
455/556.1, 566, 575.1, 575.3; 345/169
See application file for complete search history.

(56) **References Cited**

U.S. PATENT DOCUMENTS

D515,528 S * 2/2006 Miyazawa et al. ... D14/138 AA

(Continued)

FOREIGN PATENT DOCUMENTS

WO DM/069046 * 5/2007

WO DM/069161 * 7/2007

WO DM/070068 * 2/2008

OTHER PUBLICATIONS

Nokia E71, announced Jun. 2008, [online], [retrieved on Nov. 14, 2008]. Retrieved from Internet ,<URL: <http://www.gsmarena.com>>.*

Nokia E63, announced Nov. 2008, [online], [retrieved on Nov. 14, 2008]. Retrieved from Internet ,<URL: <http://www.gsmarena.com>>.*

Nokia E61i, announced Feb. 2007, [online], [retrieved on Dec. 8, 2008]. Retrieved from Internet ,<URL: <http://www.gsmarena.com>>.*

(Continued)

Primary Examiner—Jeffrey D Asch

Assistant Examiner—Bridget L Eland

(74) *Attorney, Agent, or Firm*—Banner & Witcoff, Ltd.

(57) **CLAIM**

The ornamental design for a set of keys for a handset having an illuminating region, as shown and described.

DESCRIPTION

FIG. 1 is a front view of a set of keys for a handset having an illuminating region showing our new design, wherein the illuminating region is not illuminated;

FIG. 2 is a front perspective view thereof;

FIG. 3 is an enlarged front view thereof;

FIG. 4 is an enlarged front perspective view thereof;

FIG. 5 is a front view of a set of keys for a handset having an illuminating region showing our new design, wherein the illuminating region is in an illuminated state;

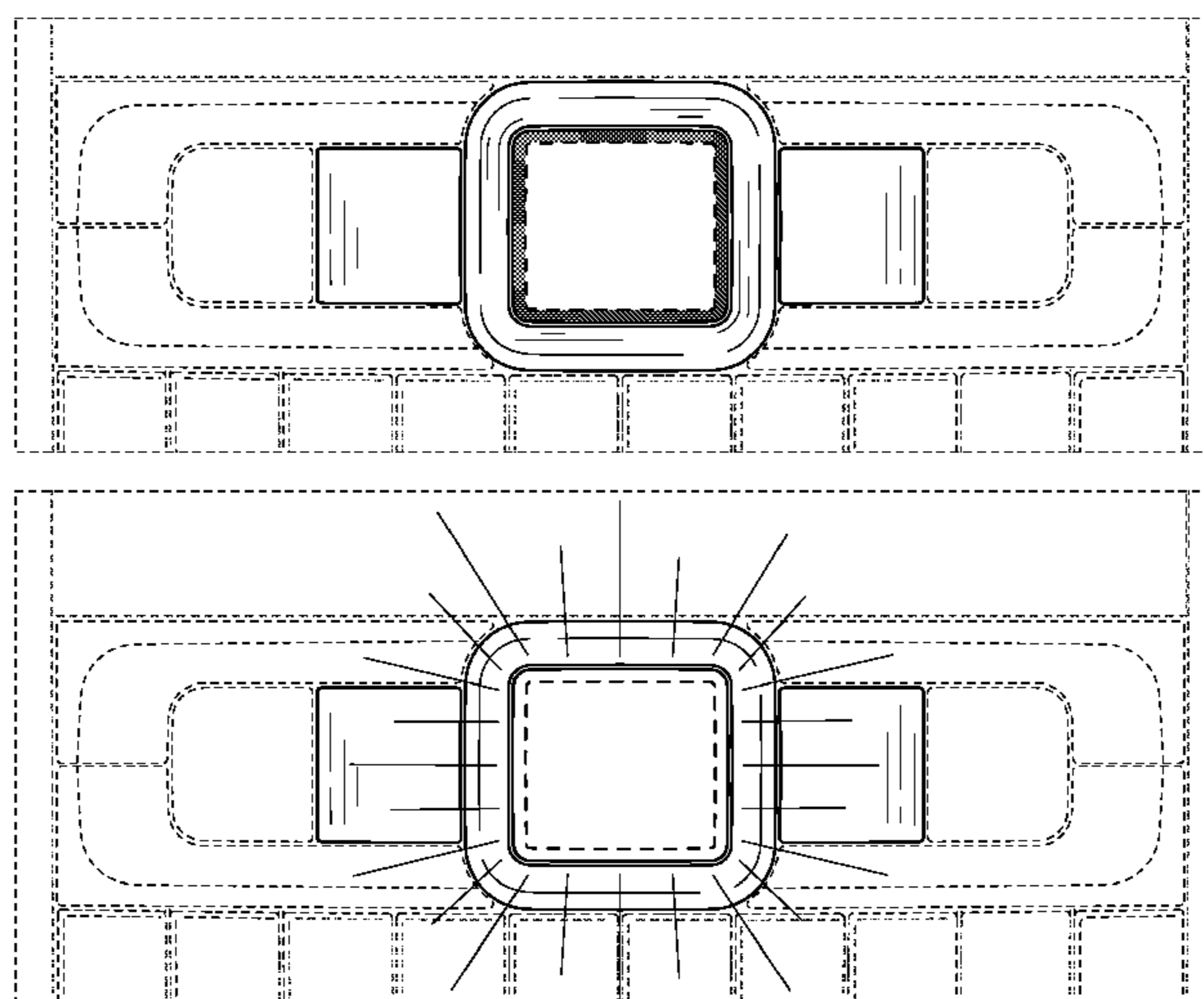
FIG. 6 is a front perspective view thereof;

FIG. 7 is an enlarged front view thereof; and,

FIG. 8 is an enlarged front perspective view thereof.

The broken line of the square button that is shown within the claimed area defines an unclaimed region. The broken lines shown in FIG. 6 and FIG. 8, adjacent to the wall of the claimed button, represent the bounds of the claimed design, while all other broken lines are directed to environment and are for illustrative purposes only. None of the broken lines form a part of the claimed design. The radiating lines indicate illumination. The dark shading in the area just outside the central broken line square in FIGS. 1–4 compared to the same region shown unshaded in FIGS. 5–8 indicates a contrast in appearance between lit and unlit regions, and does not depict any particular color, texture, or material.

1 Claim, 6 Drawing Sheets



US D602,925 S

Page 2

U.S. PATENT DOCUMENTS

D529,909 S * 10/2006 Daw et al. D14/346
D532,767 S * 11/2006 Yoshino et al. D14/138 AA
D549,208 S * 8/2007 Huang et al. D14/138 AA
D553,594 S * 10/2007 Burns et al. D14/138 AD
D554,612 S * 11/2007 Wang D14/138 AA
D554,634 S * 11/2007 Huang D14/341
D559,223 S * 1/2008 Kim et al. D14/138 AA
D563,378 S * 3/2008 Tseng et al. D14/138 AA
D563,415 S * 3/2008 Griffin et al. D14/439
D569,858 S * 5/2008 He D14/247
D569,860 S * 5/2008 Pegon et al. D14/247
D572,244 S * 7/2008 Rihu et al. D14/247
D574,817 S * 8/2008 Eroma et al. D14/247
D576,139 S * 9/2008 Rihu et al. D14/138 AA
D576,583 S * 9/2008 Miles et al. D14/138 AA
D576,593 S * 9/2008 Chang et al. D14/138 AA
D577,702 S * 9/2008 Hakamaki et al. D14/138 AB
D580,902 S * 11/2008 Bolton et al. D14/138 R
2005/0070344 A1 * 3/2005 Im et al. 455/575.1

2006/0105806 A1 * 5/2006 Vance et al. 455/556.1
2006/0205447 A1 * 9/2006 Park et al. 455/575.1
2008/0057960 A1 * 3/2008 Lahtiranta et al. 455/435.2
2008/0132275 A1 * 6/2008 Eastwood 455/556.1

OTHER PUBLICATIONS

Motorola Q 8, announced Jul. 2005, [online], [retrieved on Jan. 29, 2009]. Retrieved from Internet ,<URL: <http://www.gsmarena.com>>.*

Nokia N81 8 GB, announced Aug. 2007, [online], [retrieved on Sep. 4, 2007 & Feb. 13, 2009]. Retrieved from Internet ,<URL: <http://www.gsmarena.com>>.*

Nokia N81/N81 8GB Review, published Apr. 10, 2008, [online], [retrieved on Feb. 13, 2009]. Retrieved from Internet ,<URL: <http://www.allaboutn81.com>>.*

Nokia 6210 Navigator, announced Feb. 2008, [online], [retrieved on Mar. 21, 2008 & Feb. 13, 2009]. Retrieved from Internet ,<URL: <http://www.gsmarena.com>>.*

* cited by examiner

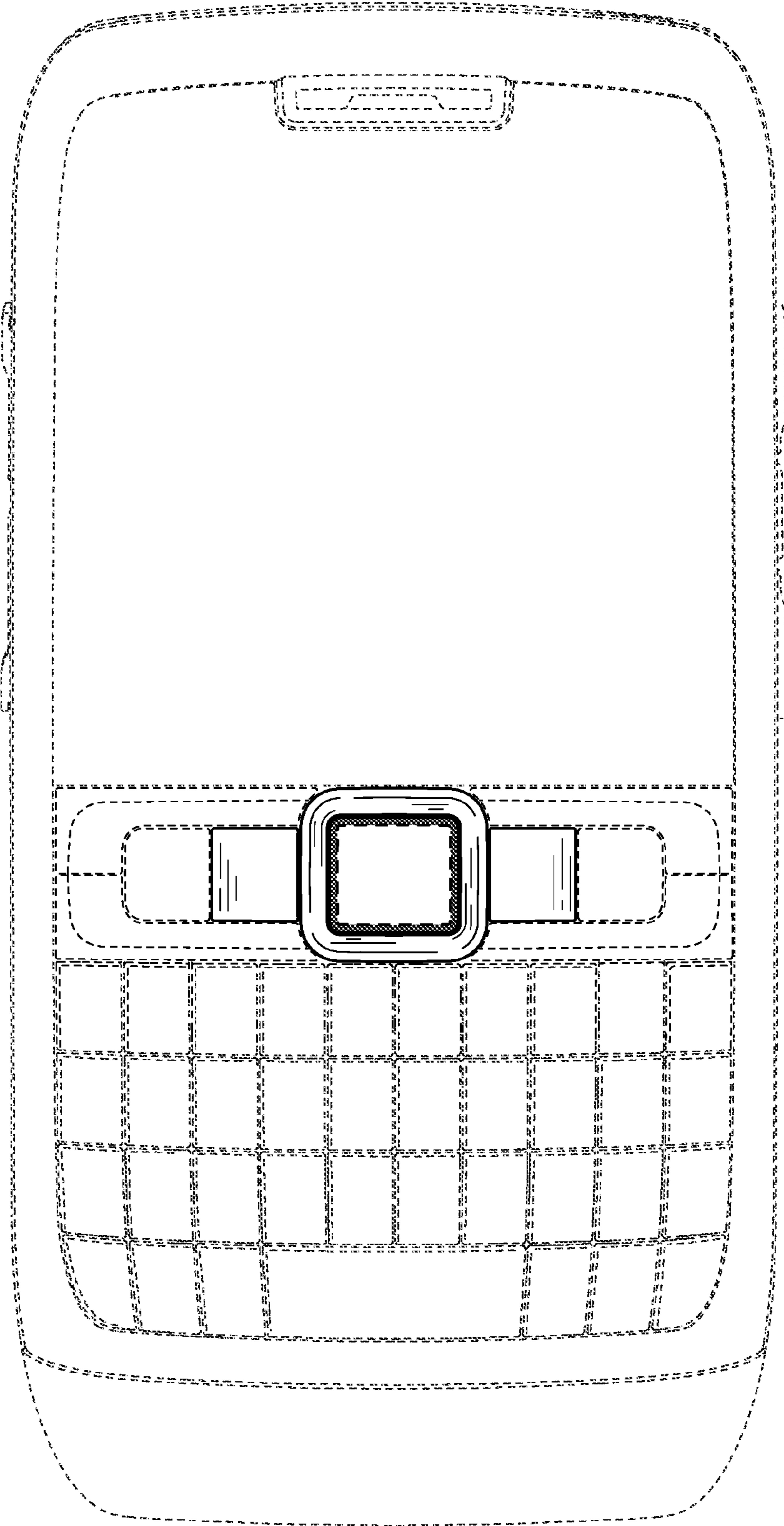


FIG. 1

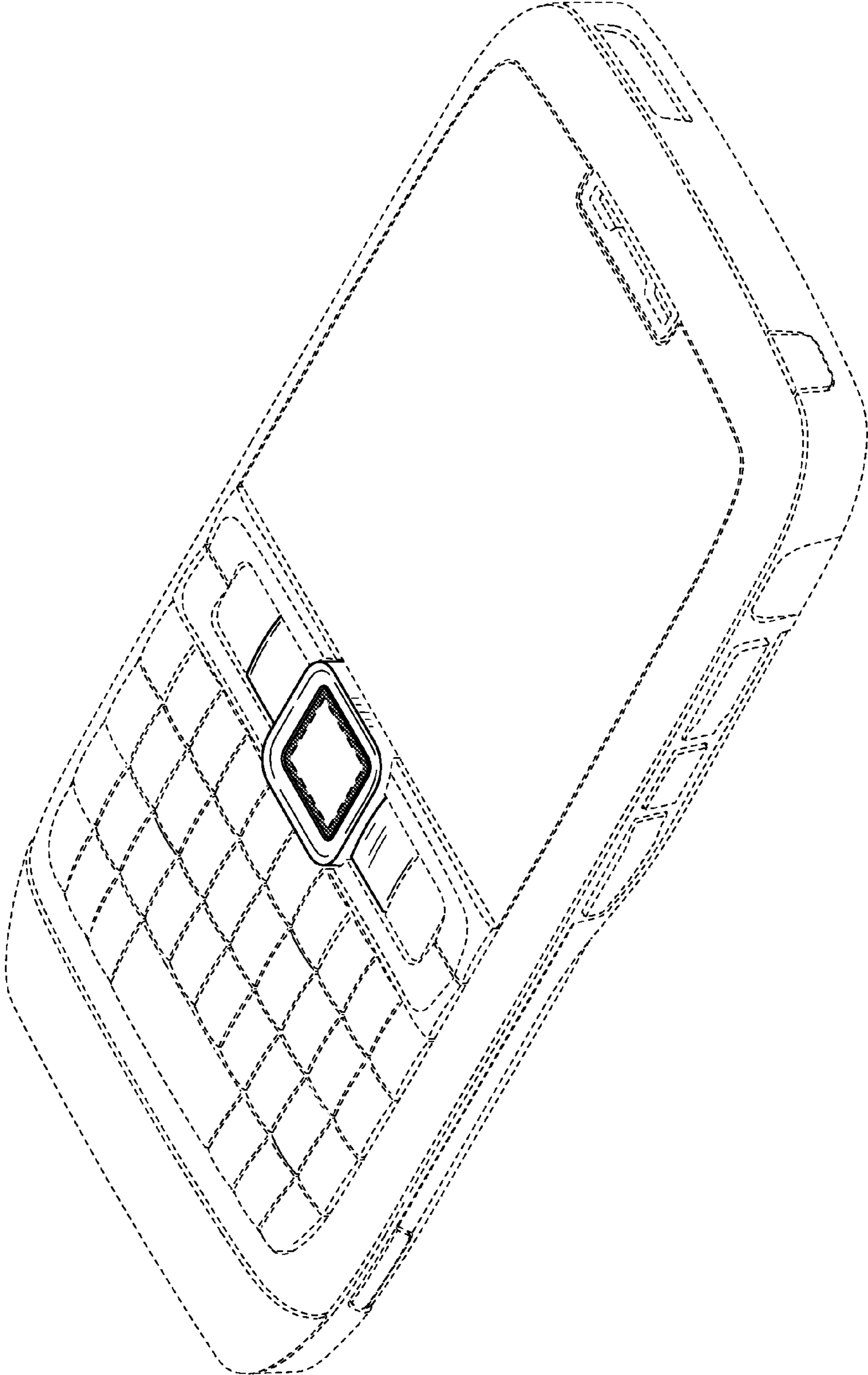


FIG. 2

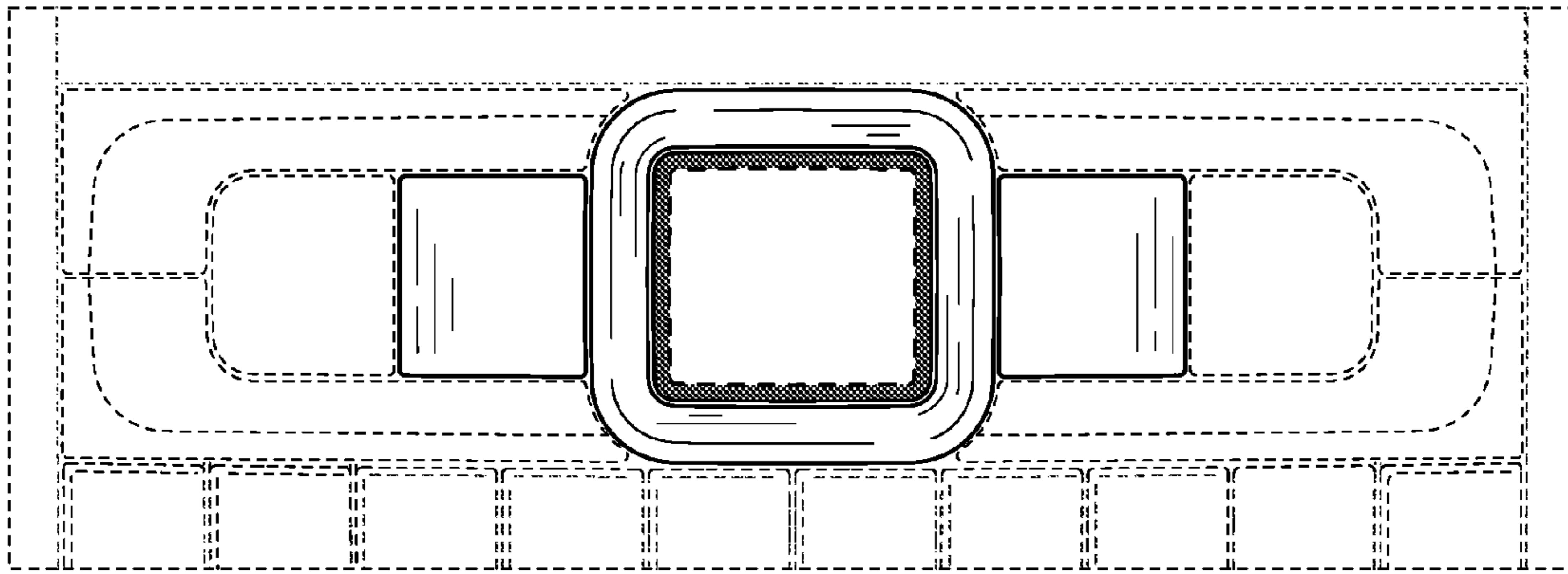


FIG. 3

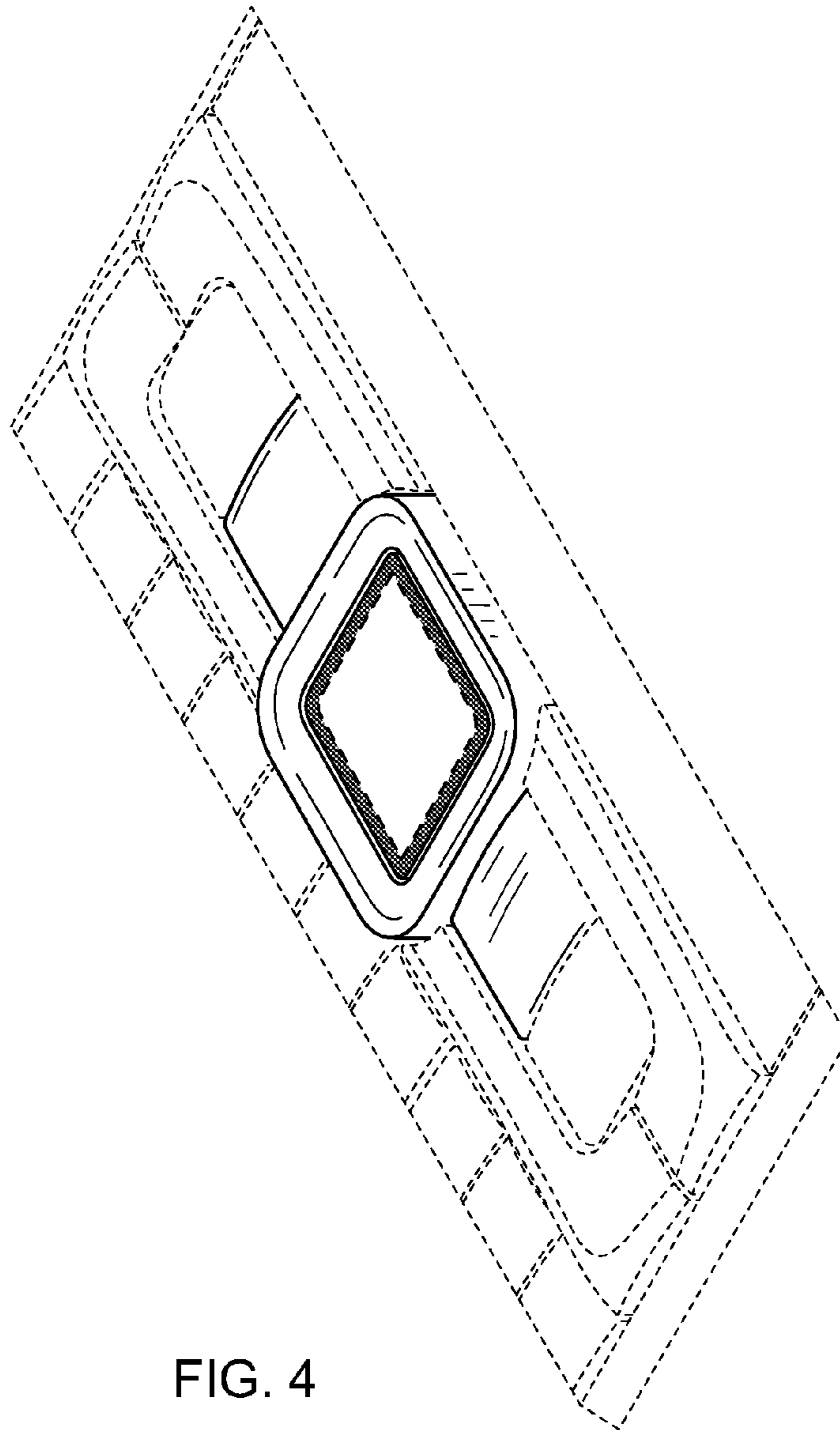


FIG. 4

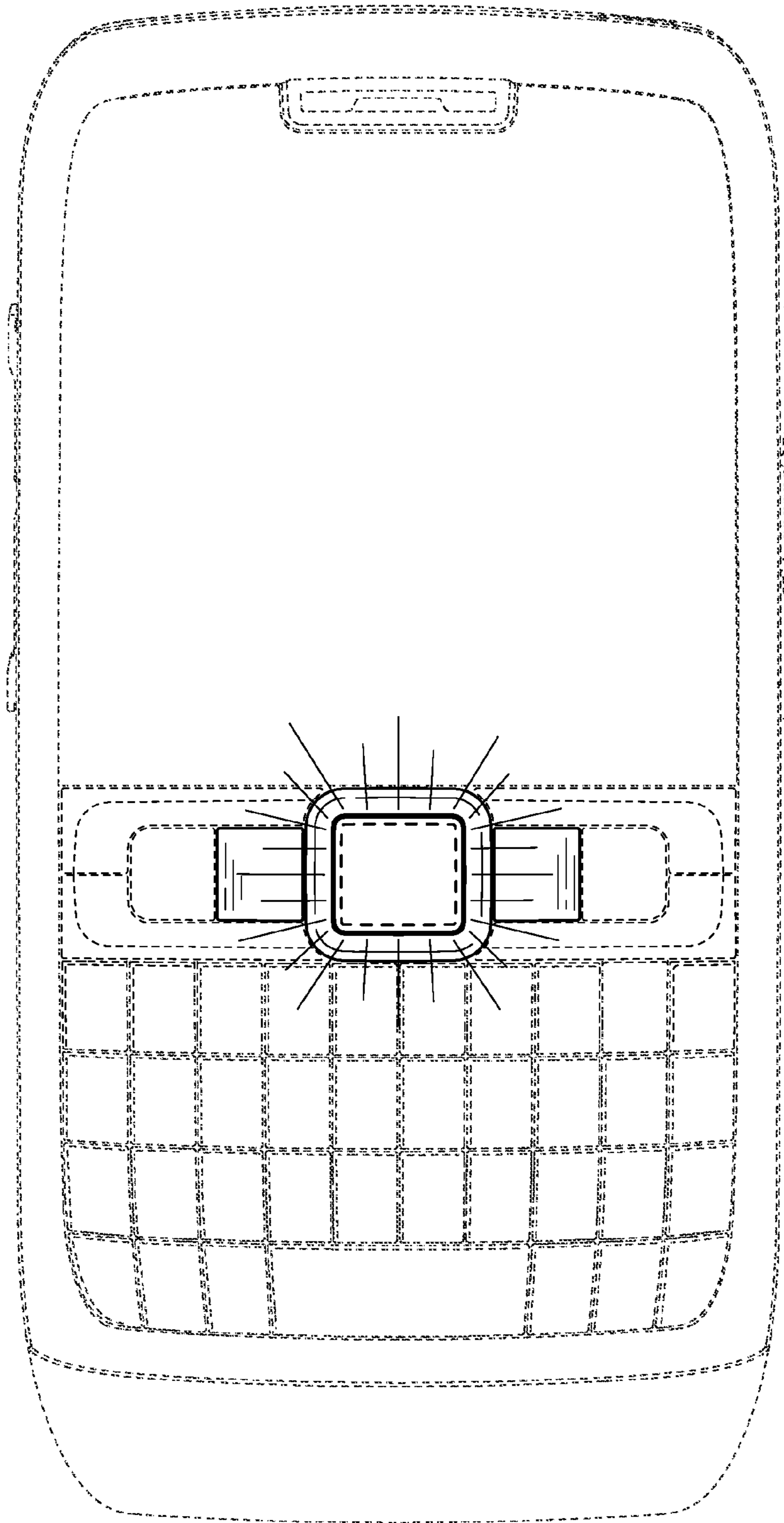


FIG. 5

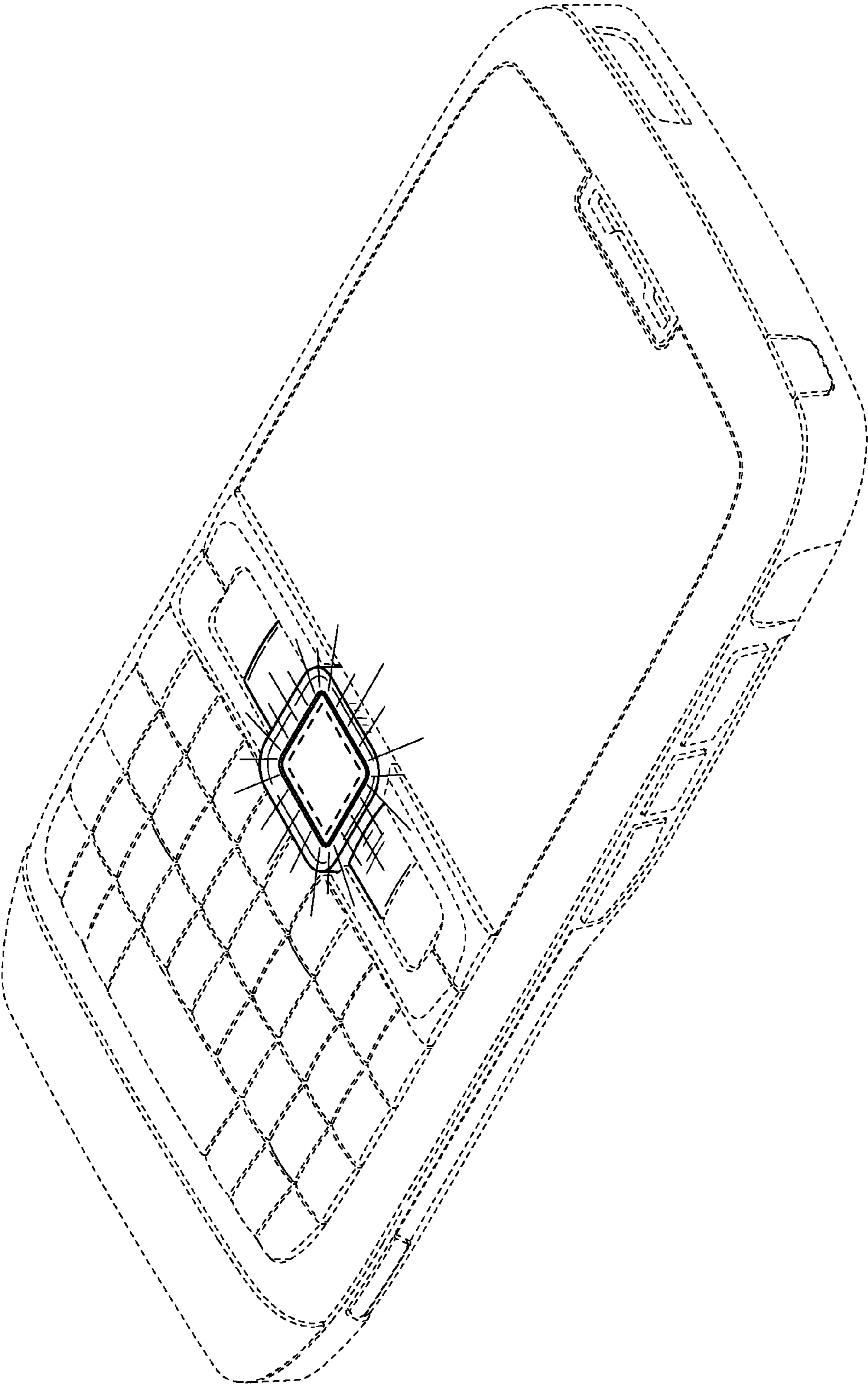


FIG. 6

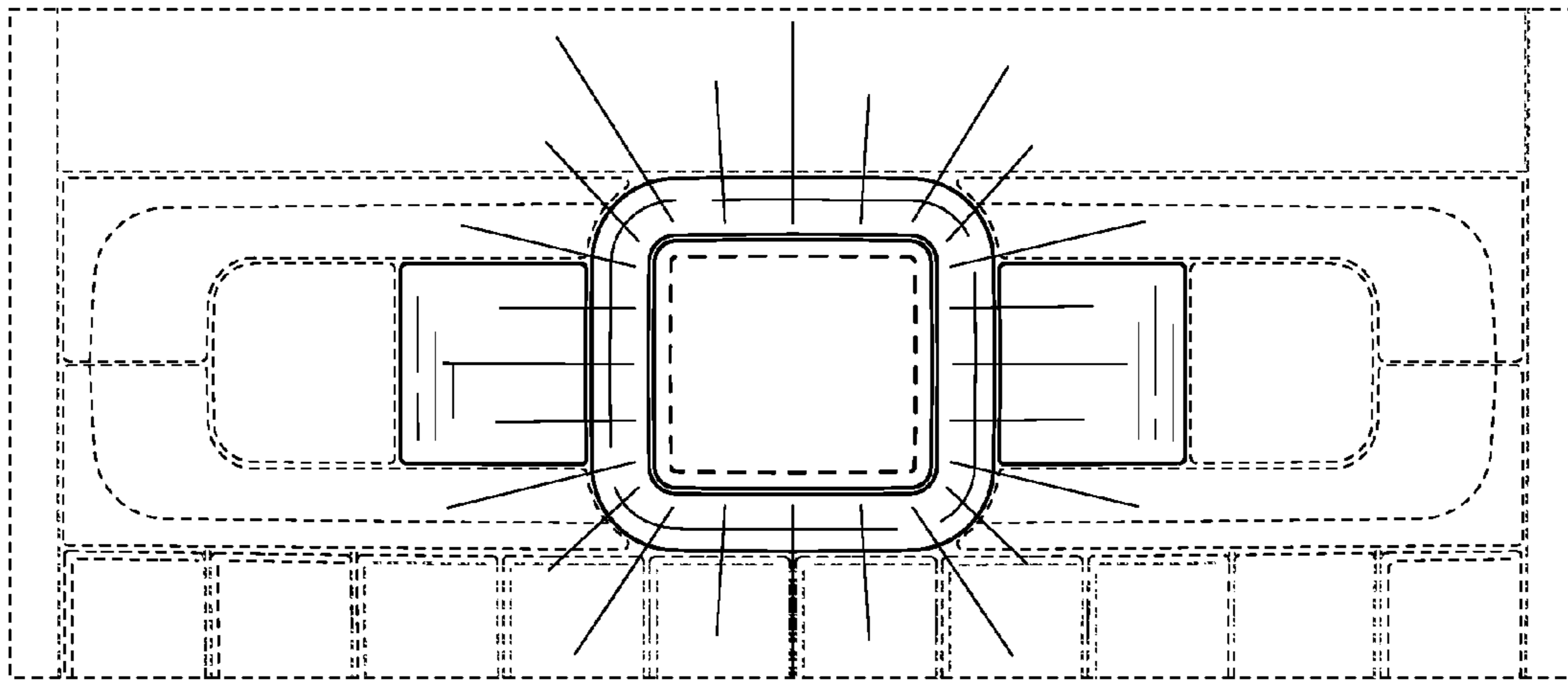


FIG. 7

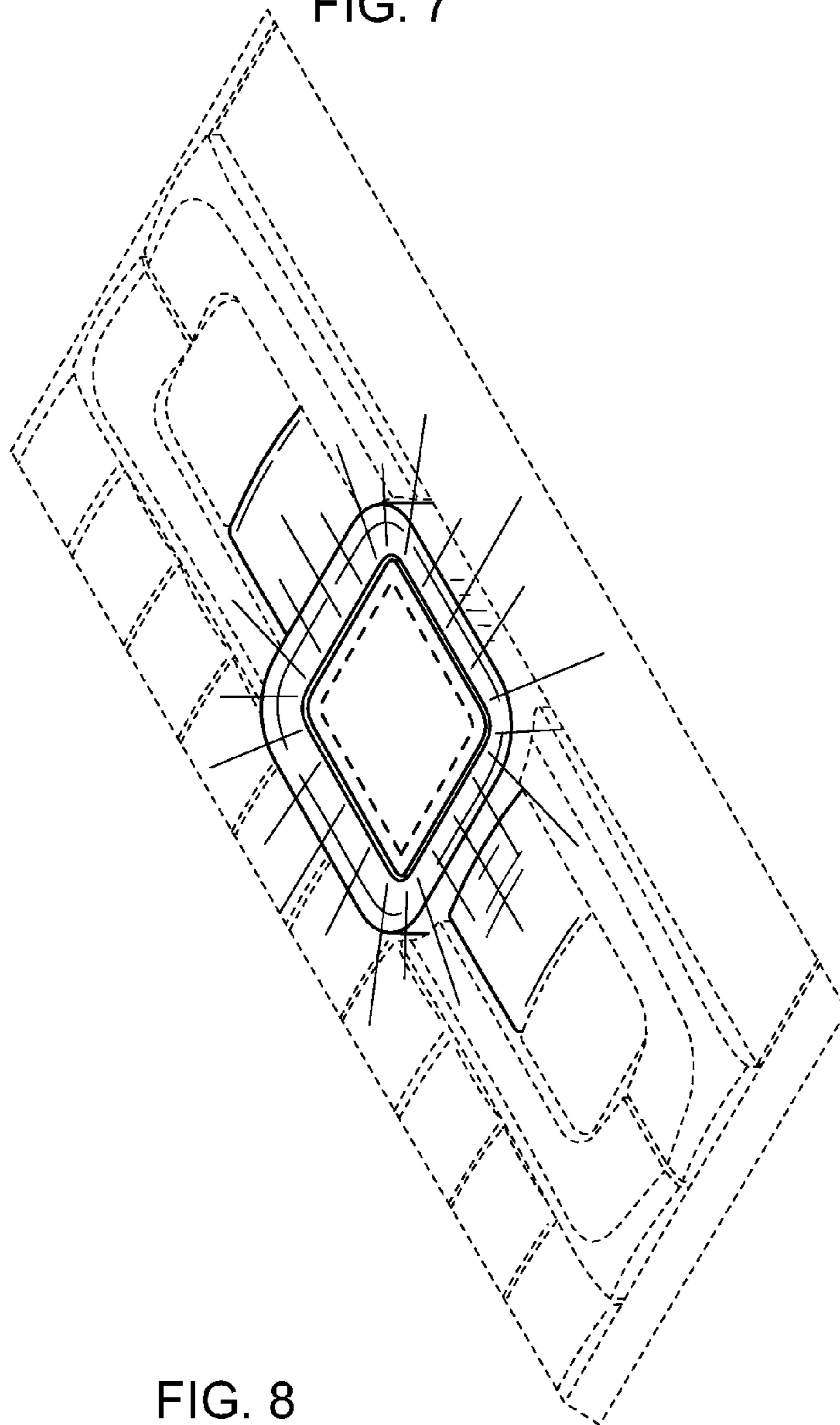


FIG. 8