



US00D602923S

(12) **United States Design Patent**
Skull

(10) **Patent No.:** **US D602,923 S**

(45) **Date of Patent:** **** Oct. 27, 2009**

(54) **DUAL POSITION MOUNT FOR AN ELECTRONIC DISPLAY**

(75) Inventor: **Joseph Skull**, Fridley, MN (US)

(73) Assignee: **Milestone AV Technologies LLC**, Savage, MN (US)

(**) Term: **14 Years**

(21) Appl. No.: **29/299,831**

(22) Filed: **Jan. 4, 2008**

(51) **LOC (9) Cl.** **14-03**

(52) **U.S. Cl.** **D14/239**

(58) **Field of Classification Search** D14/125-134, D14/239, 371, 136, 374-377; D8/363, 373, D8/349, 394; 248/465, 917-924, 123.11; 348/825, 827, 836, 837, 838, 180, 184, 325, 348/739; 600/443; D6/477-479, 407, 474, D6/460, 461, 468; 312/7.2; 341/12; 345/87, 345/104, 133, 156, 168, 169, 173; 720/605, 720/669, 600, 655; 369/99, 197; 455/344-347; 349/1, 2, 11, 62; 108/59, 91, 92, 96; 211/40, 211/41.12, 42, 49.1, 50, 85.2, 90.04, 187, 211/190, 119.003, 134.153, 87.01, 71.01

See application file for complete search history.

(56) **References Cited**

U.S. PATENT DOCUMENTS

D495,713 S *	9/2004	Pfister et al.	D14/451
D534,789 S	1/2007	Worrall et al.		
D540,332 S *	4/2007	Dittmer et al.	D14/452
7,270,309 B2	9/2007	Burns et al.		
D557,125 S	12/2007	Worrall et al.		
D557,126 S	12/2007	Worrall et al.		
D560,221 S *	1/2008	Hoglan et al.	D14/451
D560,676 S *	1/2008	Wohlford et al.	D14/451
D561,188 S *	2/2008	Wohlford et al.	D14/451

D561,749 S *	2/2008	Sculler et al.	D14/239
D587,714 S *	3/2009	Sculler et al.	D14/451
2004/0232298 A1 *	11/2004	Bremmon et al.	248/281.11
2005/0087666 A1	4/2005	Hwang		
2005/0205735 A1	9/2005	Ichikawa et al.		
2007/0090250 A1	4/2007	O'Keene		

* cited by examiner

Primary Examiner—Raphael Barkai

Assistant Examiner—Randall H Gholson

(74) *Attorney, Agent, or Firm*—Patterson, Thuente, Skaar & Christensen, PA

(57) **CLAIM**

The ornamental design for a dual position mount for an electronic display, as shown and described.

DESCRIPTION

FIG. 1 is a rear perspective view of a dual position mount for an electronic display according to the invention;

FIG. 2 is a rear elevation view of the dual position mount for an electronic display depicted in FIG. 1;

FIG. 3 is a front elevation view of the dual position mount for an electronic display depicted in FIG. 1;

FIG. 4 is a bottom plan view of the dual position mount for an electronic display depicted in FIG. 1;

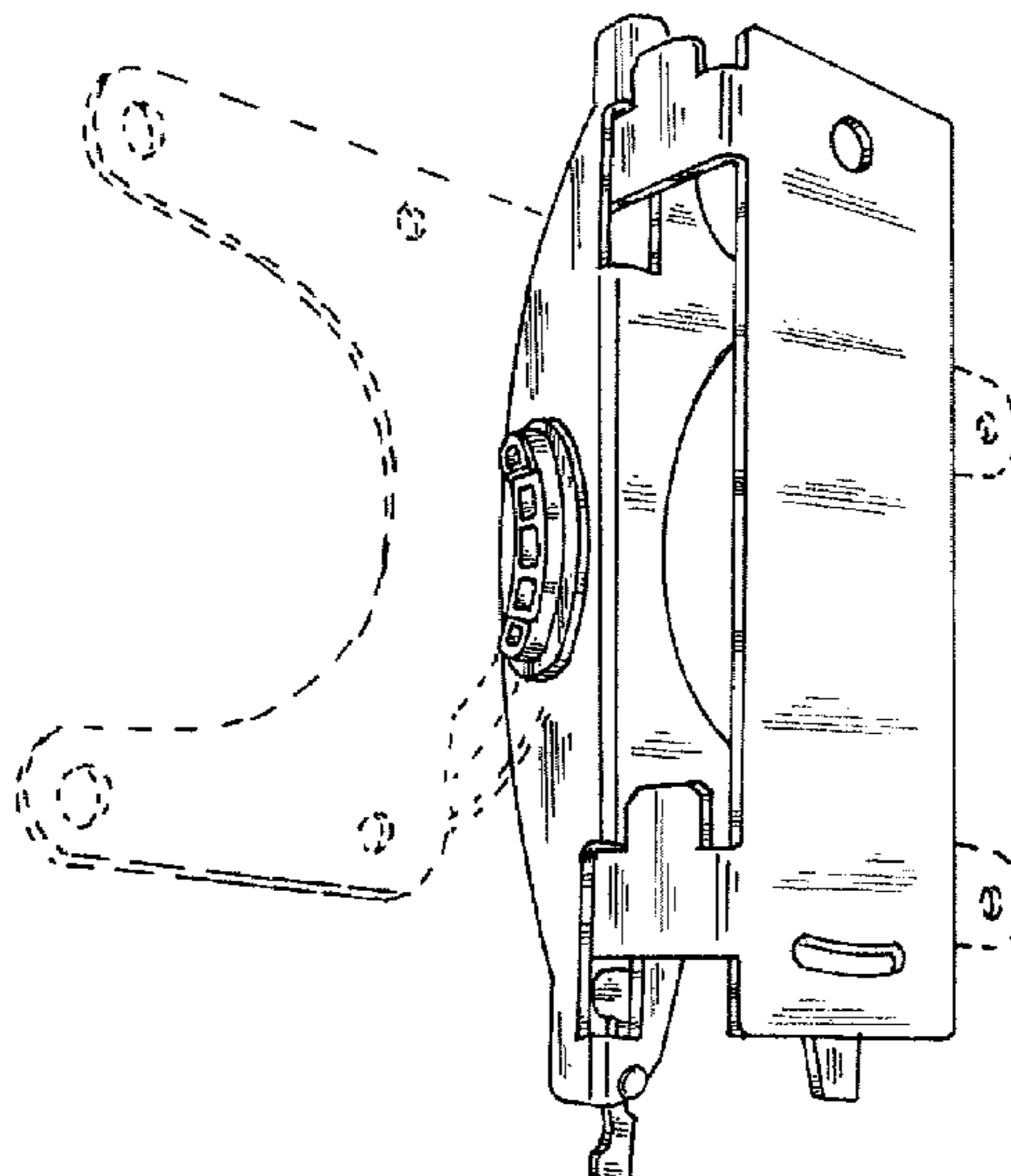
FIG. 5 is a top plan view of the dual position mount for an electronic display depicted in FIG. 1;

FIG. 6 is a side elevation view of the dual position mount for an electronic display depicted in FIG. 1; and,

FIG. 7 is an opposing side elevation view of the dual position mount for an electronic display depicted in FIG. 1.

The broken-line disclosure in the views is for illustrative purposes only and forms no part of the claimed design.

1 Claim, 3 Drawing Sheets



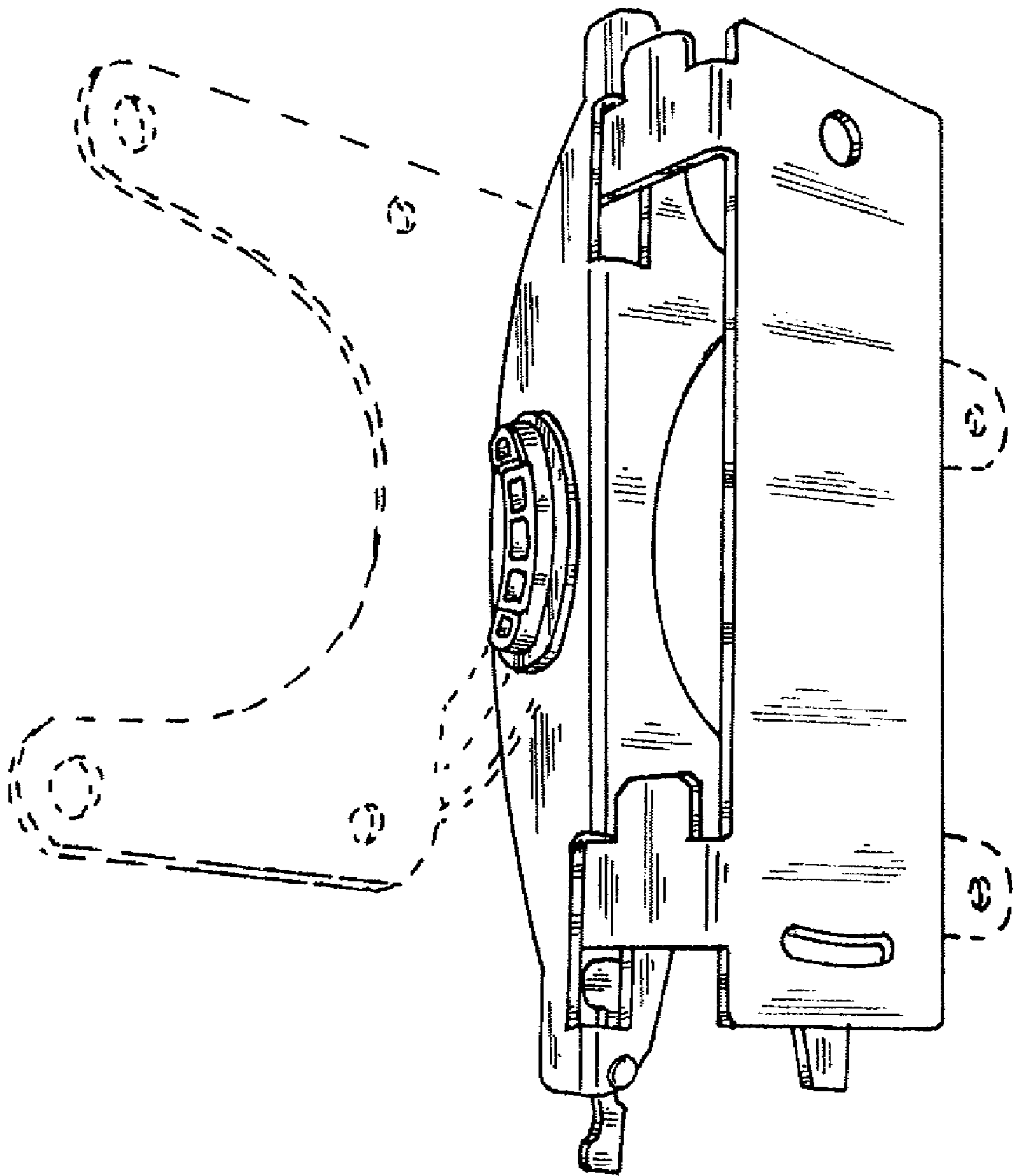


Fig. 1.

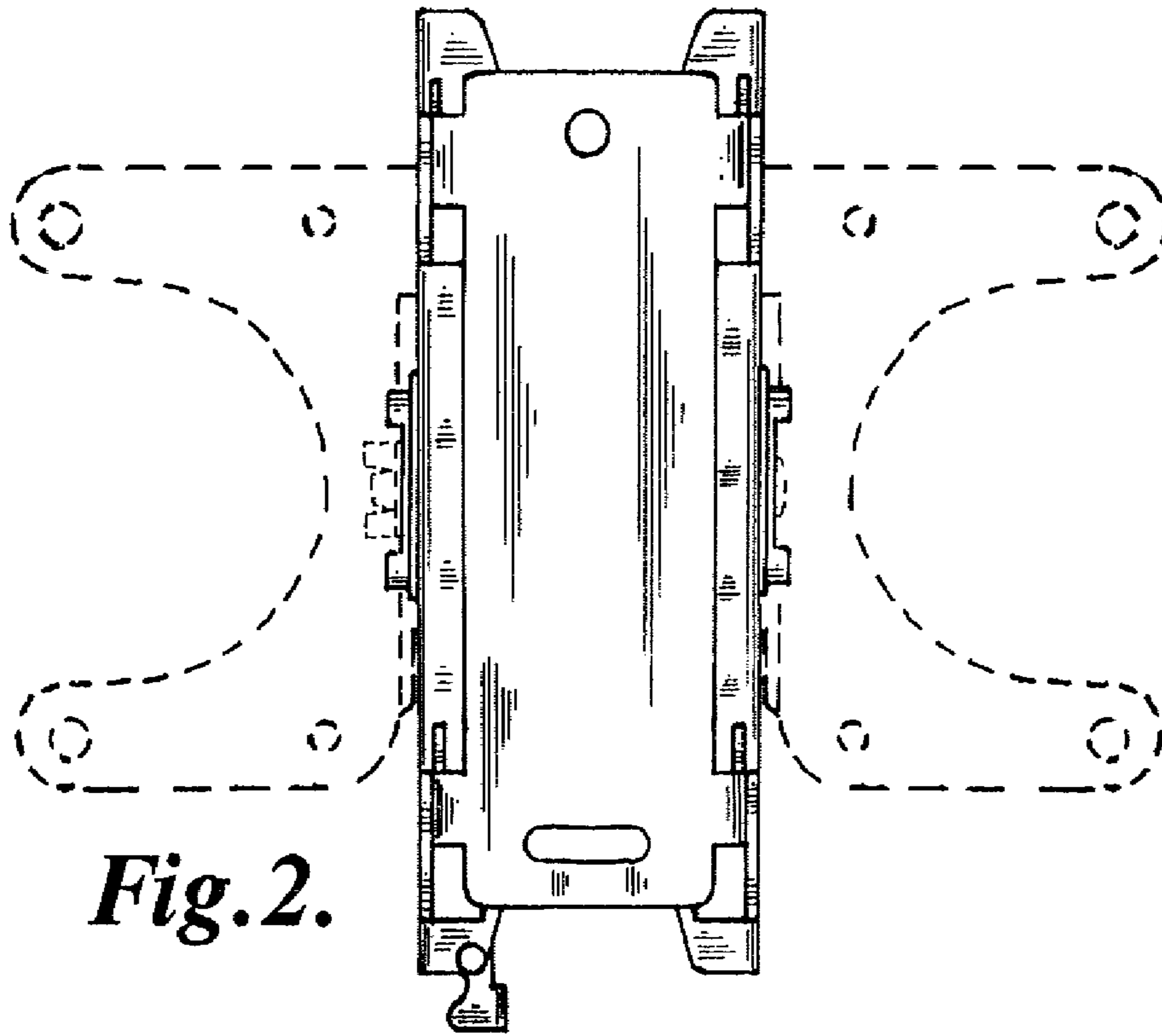


Fig. 2.

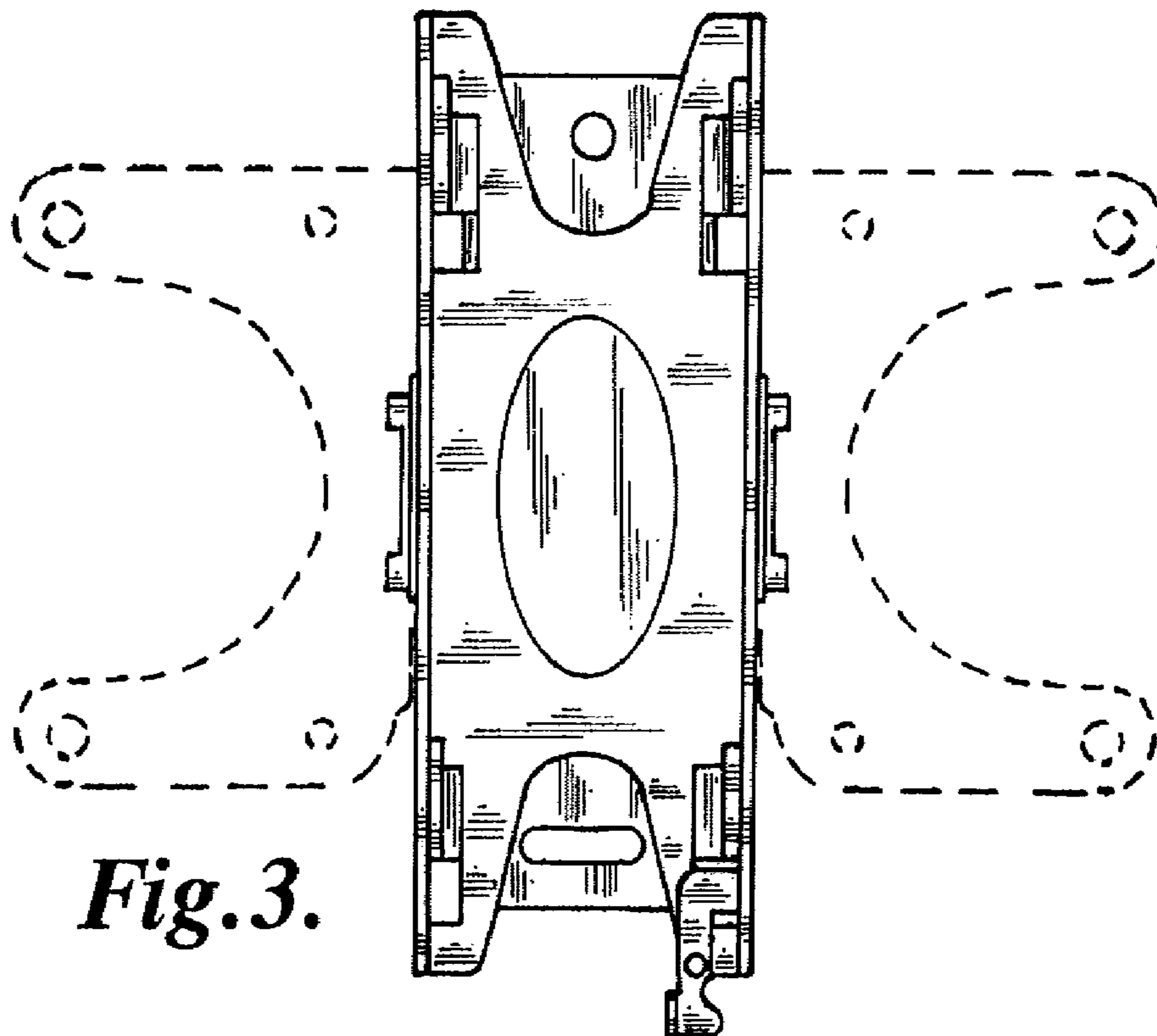


Fig. 3.

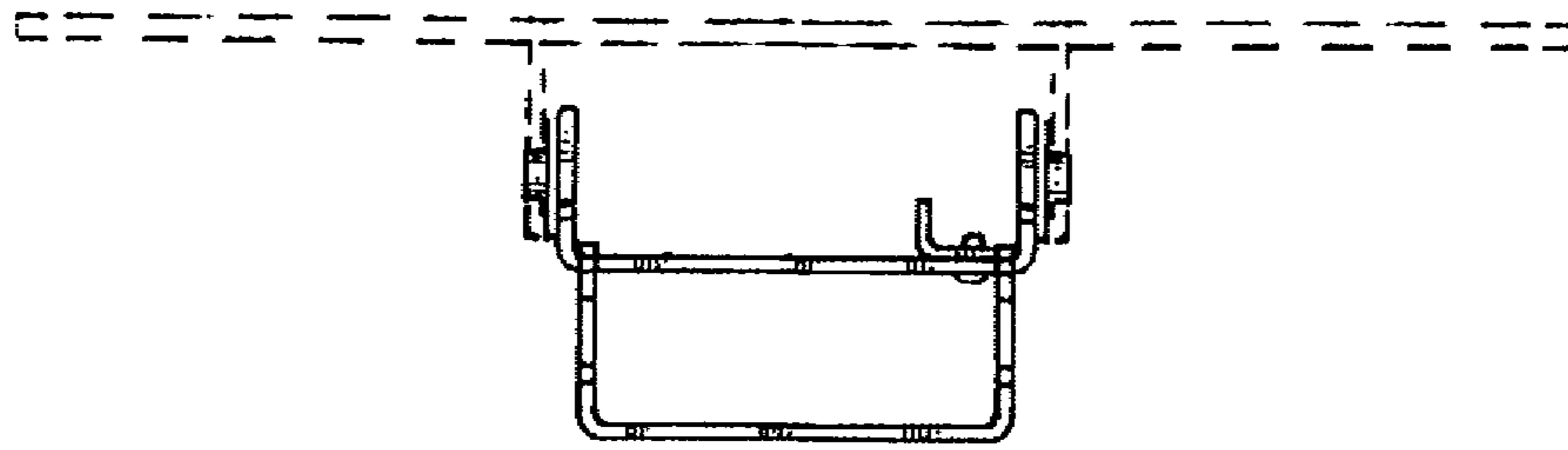


Fig. 4.

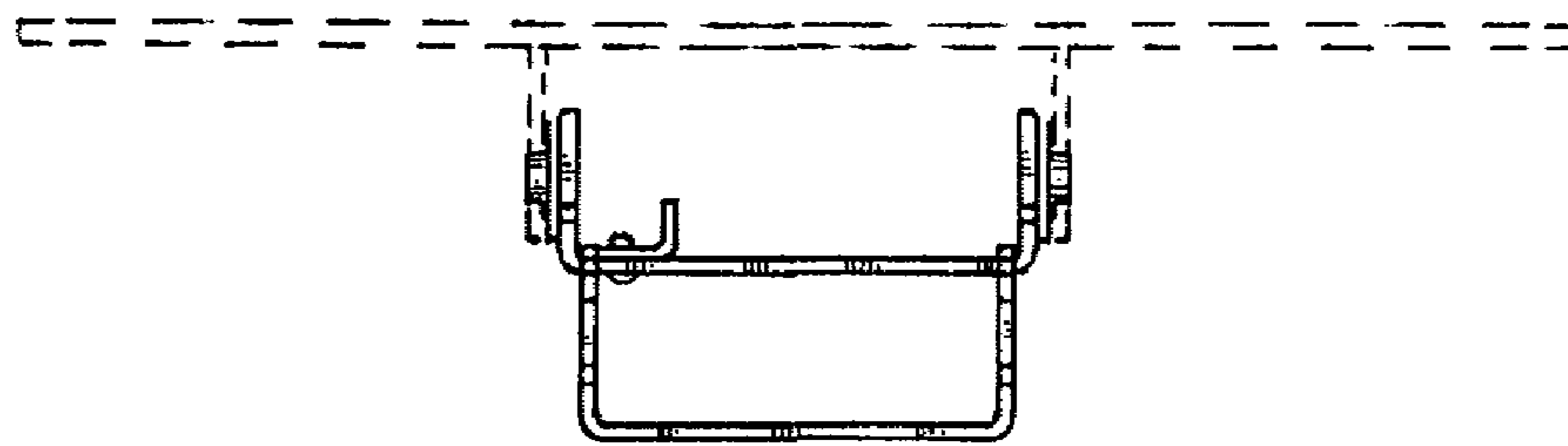


Fig. 5.

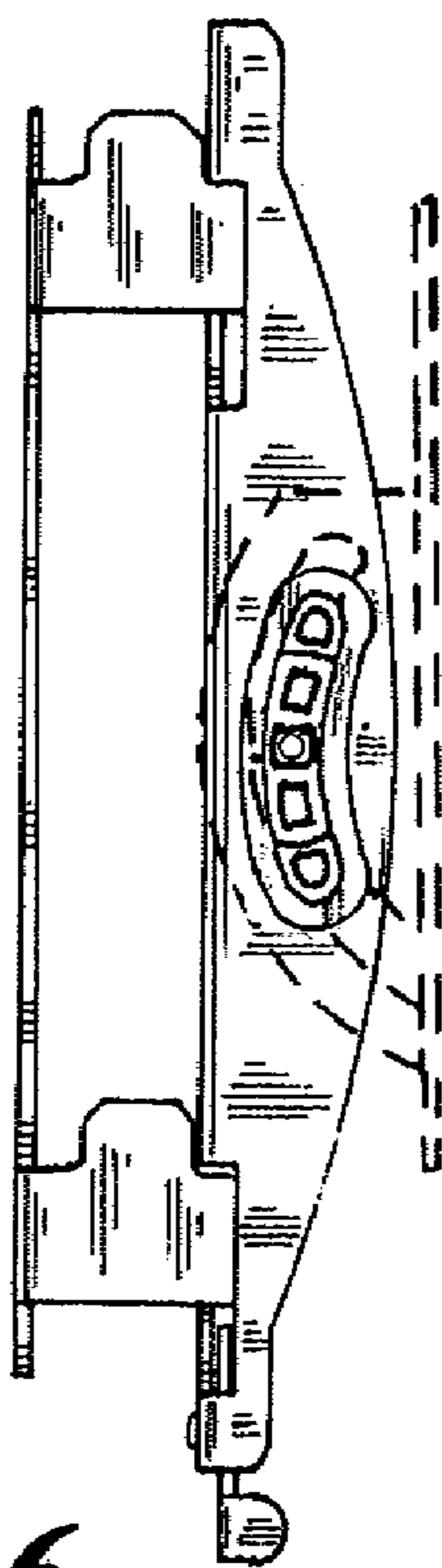


Fig. 6.

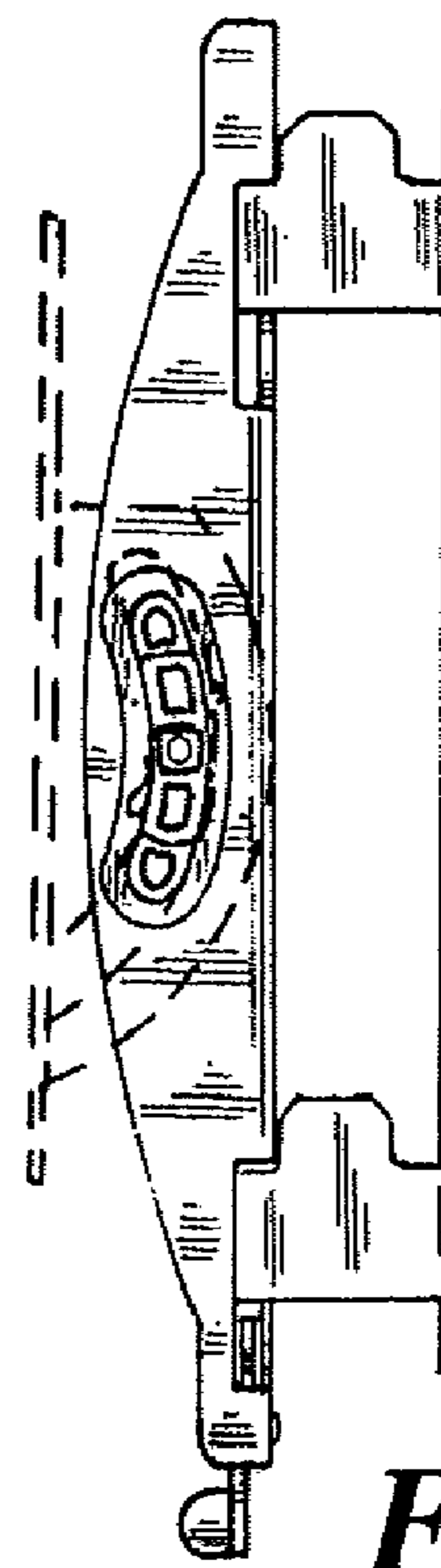


Fig. 7.