



US00D602920S

(12) **United States Design Patent**
Fleischer et al.

(10) **Patent No.:** **US D602,920 S**

(45) **Date of Patent:** **** Oct. 27, 2009**

(54) **MICROPHONE**

(75) Inventors: **Dieter Fleischer**, Hannover (DE);
Michael Nickel, Wedemark (DE);
Guenter Rosen, Wedemark (DE)

(73) Assignee: **Sennheiser electronic GmbH & Co.**
KG, Wedemark (DE)

(**) Term: **14 Years**

(21) Appl. No.: **29/307,570**

(22) Filed: **Apr. 28, 2008**

(30) **Foreign Application Priority Data**

Nov. 2, 2007 (DE) 407 05 540

(51) **LOC (9) Cl.** **14-01**

(52) **U.S. Cl.** **D14/227; D14/226**

(58) **Field of Classification Search** D14/225,
D14/226, 227, 228, 229, 142, 155, 172, 214,
D14/299; D16/221, 213, 214; D8/396; 248/74.1,
248/74.3, 562; 181/158, 242; 381/26, 181,
381/355, 356, 357, 358, 359, 360, 361, 362,
381/363, 364, 365, 366, 368; D24/172
See application file for complete search history.

(56) **References Cited**

U.S. PATENT DOCUMENTS

2,910,539 A * 10/1959 Hartsfield 381/174
D189,720 S * 2/1961 Burroughs D14/228
2,984,713 A * 5/1961 Swinehart 381/123
D194,151 S * 11/1962 Deschamps D14/228
D196,919 S * 11/1963 Deschamps D14/228
3,423,544 A * 1/1969 Weiss 381/151
D294,860 S * 3/1988 Hoogesteger D24/172
D296,099 S * 6/1988 Kubota D14/227
D299,921 S * 2/1989 Kikutani D14/227

D311,189 S * 10/1990 Lazzeroni et al. D14/229
D313,802 S * 1/1991 Peiker D14/227
5,031,872 A * 7/1991 Vance et al. 248/562
D319,874 S * 9/1991 Hoelbl D24/150
D327,211 S * 6/1992 Tarshis et al. D8/349
5,303,304 A * 4/1994 Lee 381/26
D387,770 S * 12/1997 Liao D14/227
D412,705 S * 8/1999 Laiacona et al. D14/172
6,721,432 B1 * 4/2004 Yamamoto 381/355
7,251,341 B2 * 7/2007 Epping et al. 381/361

* cited by examiner

Primary Examiner—Paula Greene

(74) *Attorney, Agent, or Firm*—Reed Smith LLP

(57) **CLAIM**

The ornamental design for a microphone, as shown and described.

DESCRIPTION

FIG. 1 is an isometric view of the microphone in accordance with the invention.

FIG. 2 is a top view of the microphone in accordance with the invention.

FIG. 3 is a bottom view of the microphone in accordance with the invention.

FIG. 4 is a front view of the microphone in accordance with the invention.

FIG. 5 is a left side view of the microphone in accordance with the invention.

FIG. 6 is a back side view of the microphone in accordance with the invention; and,

FIG. 7 is a right side view of the microphone in accordance with the invention.

1 Claim, 4 Drawing Sheets

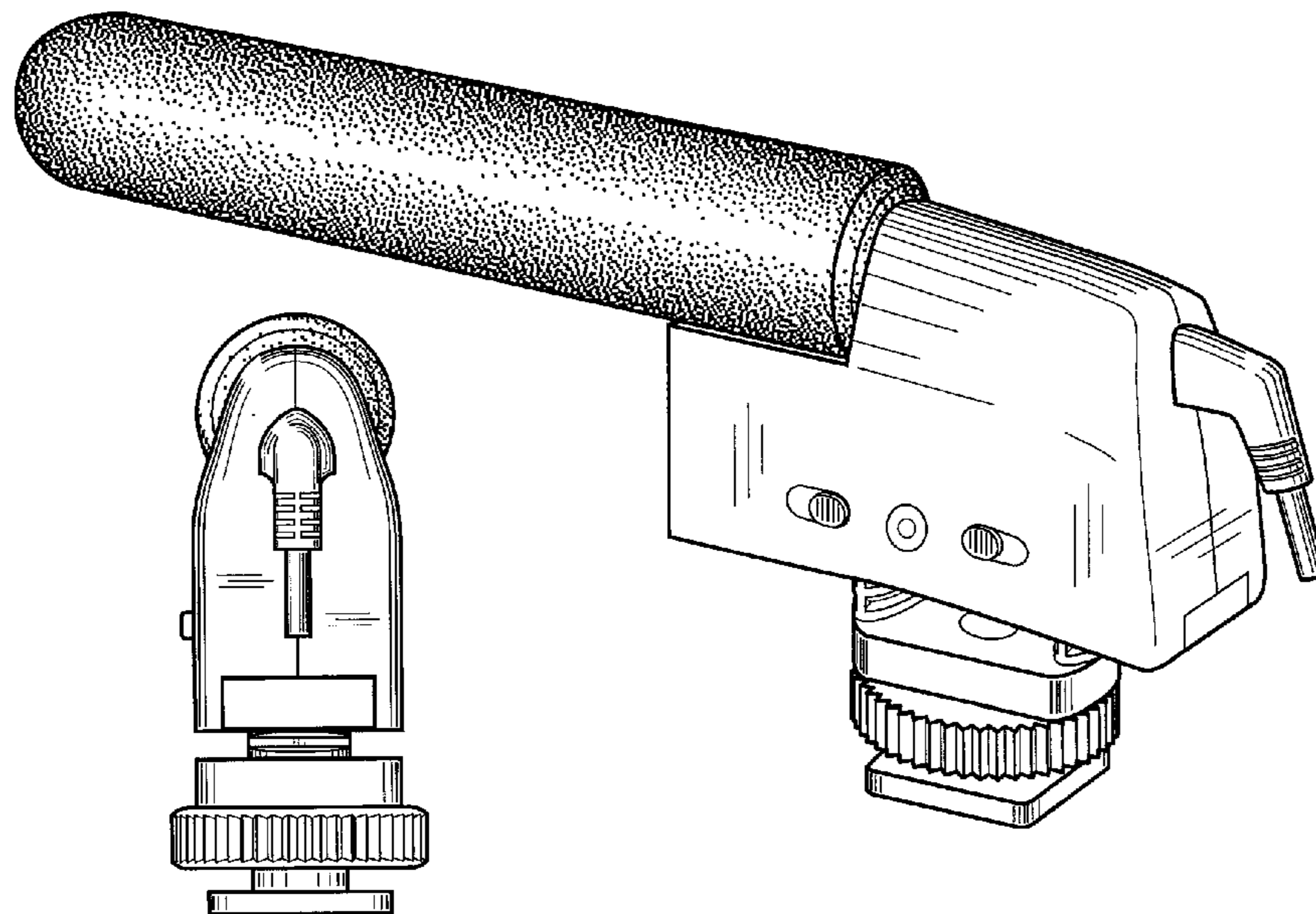
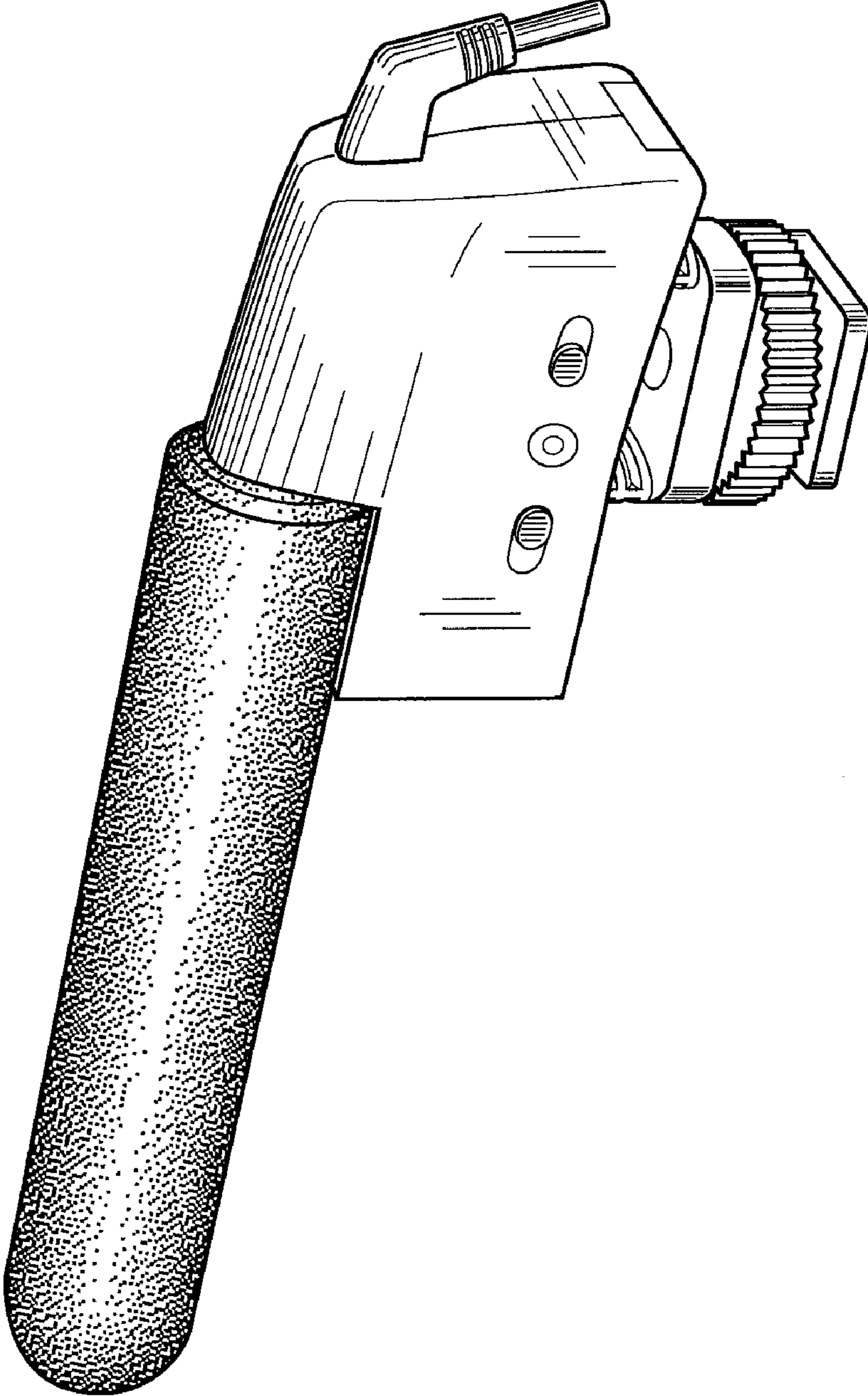


FIG. 1



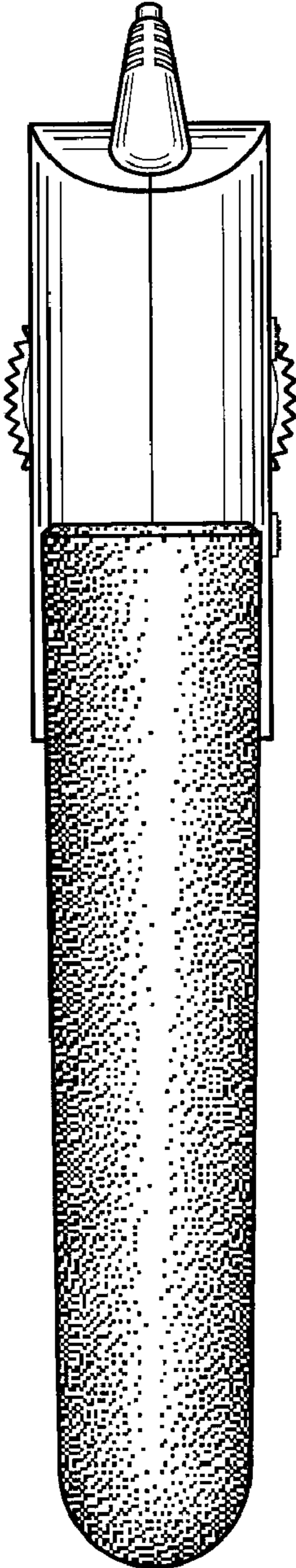


FIG. 2

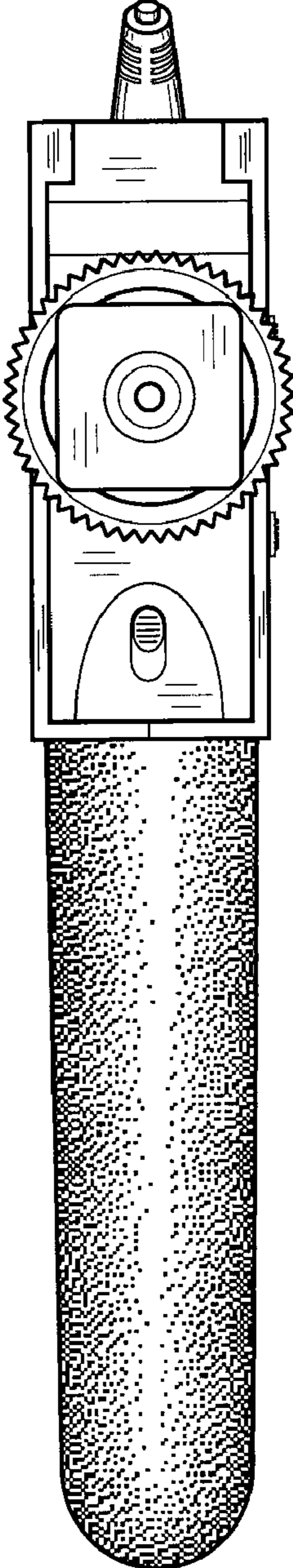


FIG. 3

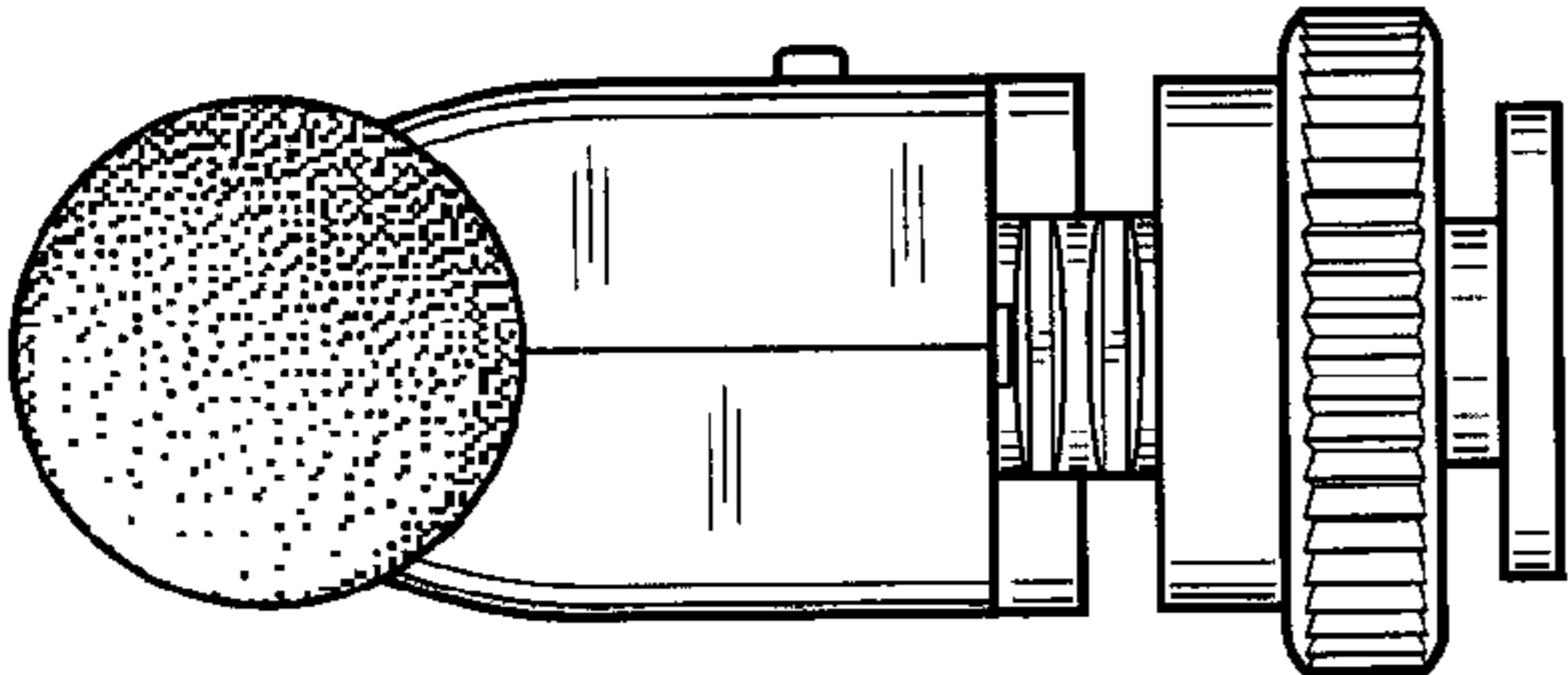


FIG. 4

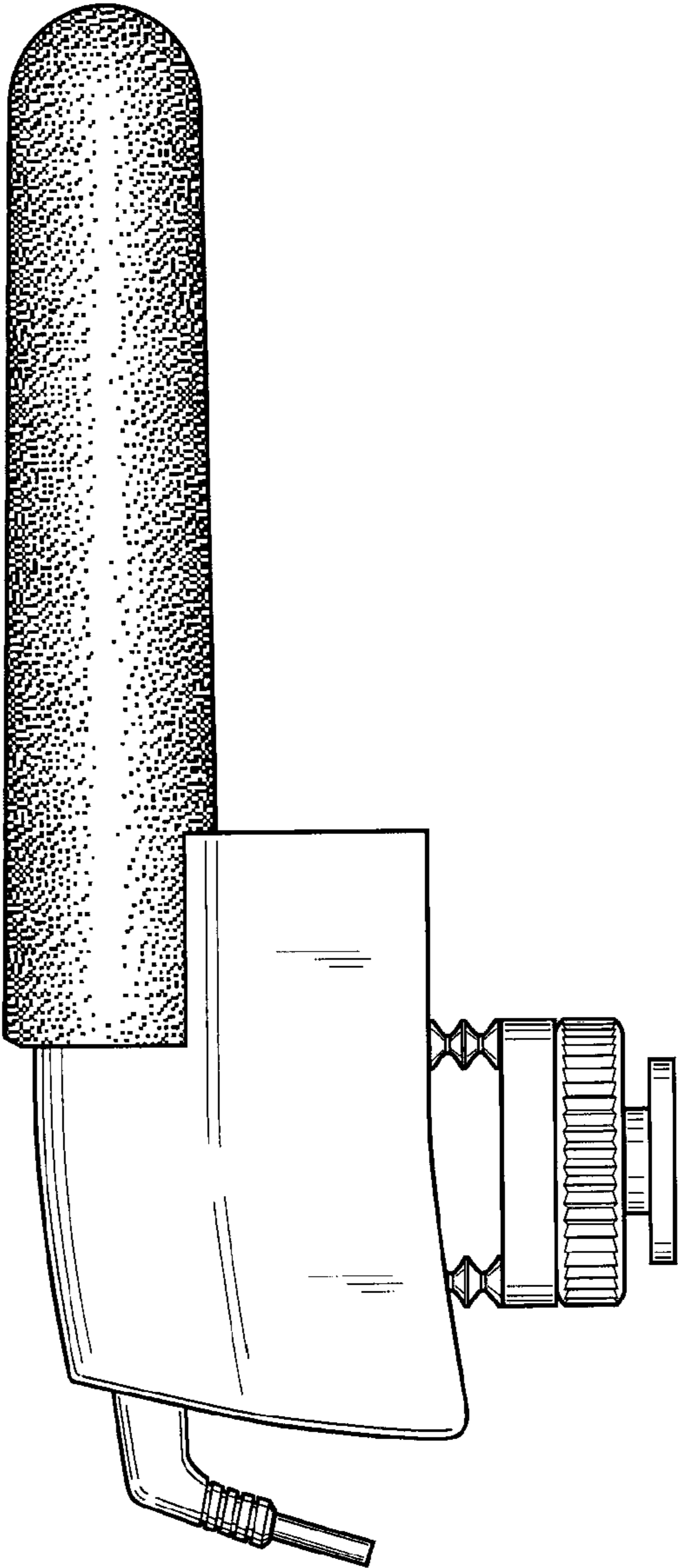


FIG. 5

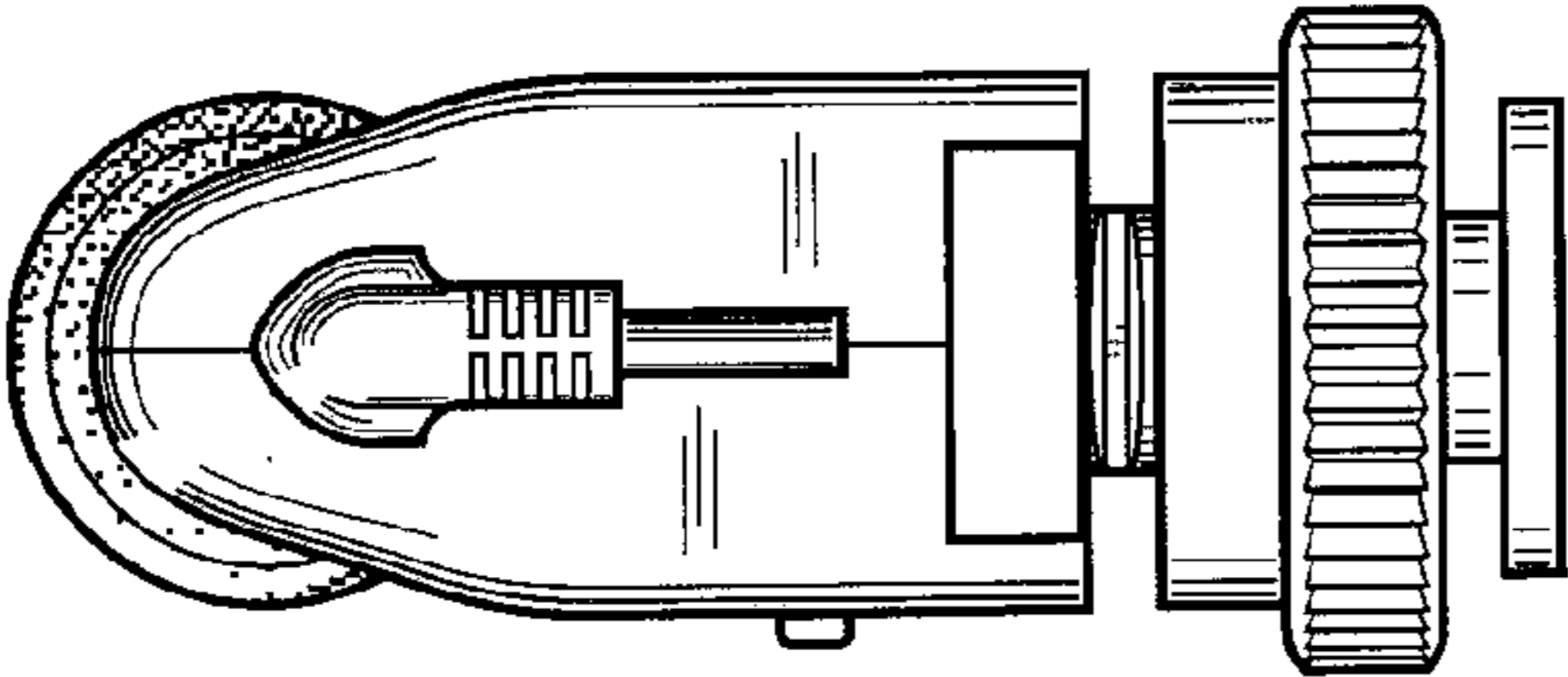


FIG. 6

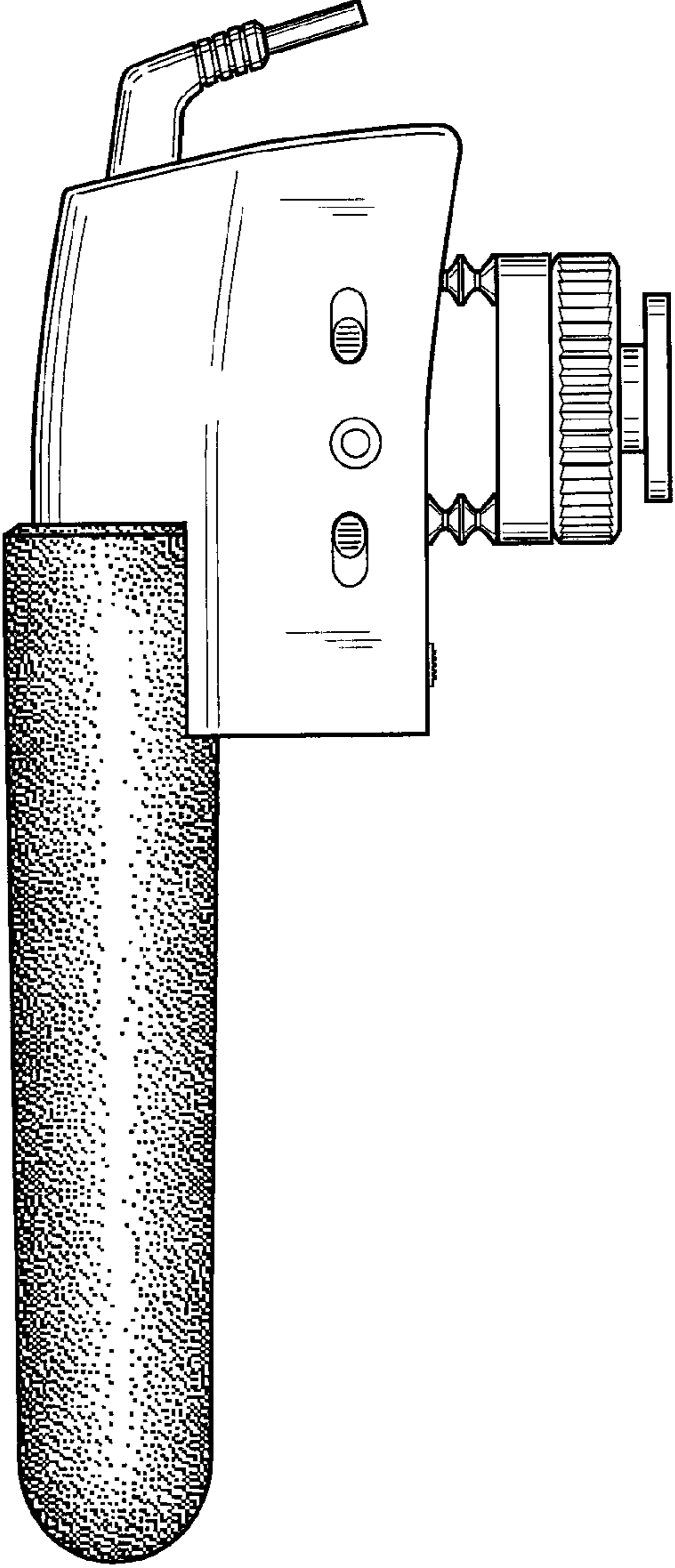


FIG. 7