



US00D602919S

(12) **United States Design Patent**
Bodley et al.

(10) **Patent No.:** **US D602,919 S**
(45) **Date of Patent:** **** Oct. 27, 2009**

(54) **PERSONAL WIRELESS MICROPHONE FOR USE WITH A MULTI-USER AUDIO SYSTEM**

(75) Inventors: **Martin Reed Bodley**, Sudbury, MA (US); **Jean-Pierre Carney**, Sudbury, MA (US); **Stephen Lyman**, Hudson, NH (US)

(73) Assignee: **Revolabs, Inc.**, Maynard, MA (US)

(**) Term: **14 Years**

(21) Appl. No.: **29/332,104**

(22) Filed: **Feb. 9, 2009**

(51) **LOC (9) Cl.** **14-01**

(52) **U.S. Cl.** **D14/225**

(58) **Field of Classification Search** D14/225, D14/224, 226–229, 137–138, 217–218, 240, D14/192, 155, 172; D13/168, 184; 181/158, 181/242; 379/430–432, 441; 381/242, 357; 455/170.1, 351; D10/106; D16/202, 237
See application file for complete search history.

(56) **References Cited**

U.S. PATENT DOCUMENTS

D167,828 S *	9/1952	Florac	D14/194
D239,763 S *	5/1976	Freed	D10/46
D248,231 S *	6/1978	Goldman et al.	D14/225
D280,494 S *	9/1985	Abel	D10/106
D280,896 S *	10/1985	Campbell et al.	D14/155
D299,336 S *	1/1989	Osanai et al.	D14/225
D304,191 S *	10/1989	Sekine	D14/192
D317,310 S *	6/1991	Schwartz	D14/218
D321,880 S *	11/1991	Emmerling	D14/192
5,089,808 A *	2/1992	Amirdash	340/573.7
D379,809 S *	6/1997	Lindeman	D14/137
D413,435 S *	9/1999	Chapman et al.	D3/219
D434,012 S *	11/2000	Krieser, Sr.	D13/168
D450,337 S *	11/2001	Hamamura	D16/237
D451,076 S *	11/2001	Sommer et al.	D13/168
D486,806 S *	2/2004	Takayama et al.	D14/137
D496,030 S *	9/2004	Harbeke	D14/225

D507,261 S *	7/2005	Griffin	D14/226
D550,654 S *	9/2007	Miyawaki	D14/218
D558,742 S *	1/2008	Koller et al.	D14/225
D568,877 S *	5/2008	Bodley et al.	D14/225
D573,957 S *	7/2008	Ledbetter et al.	D13/168
D577,713 S *	9/2008	Kim et al.	D14/218
D577,715 S *	9/2008	Lim et al.	D14/240
D581,943 S *	12/2008	Pedersen et al.	D14/496

* cited by examiner

Primary Examiner—Paula Greene

(74) *Attorney, Agent, or Firm*—Nutter McClennen & Fish LLP

(57) **CLAIM**

The ornamental design for a personal wireless microphone for use with a multi-user audio system, as shown and described.

DESCRIPTION

FIG. 1 is a front perspective view of a personal wireless microphone for use with a multi-user audio system;

FIG. 2 is a back perspective view of a personal wireless microphone for use with a multi-user audio system;

FIG. 3 is a bottom perspective view of a personal wireless microphone for use with a multi-user audio system;

FIG. 4 is a front view of a personal wireless microphone for use with a multi-user audio system;

FIG. 5 is a back view of a personal wireless microphone for use with a multi-user audio system;

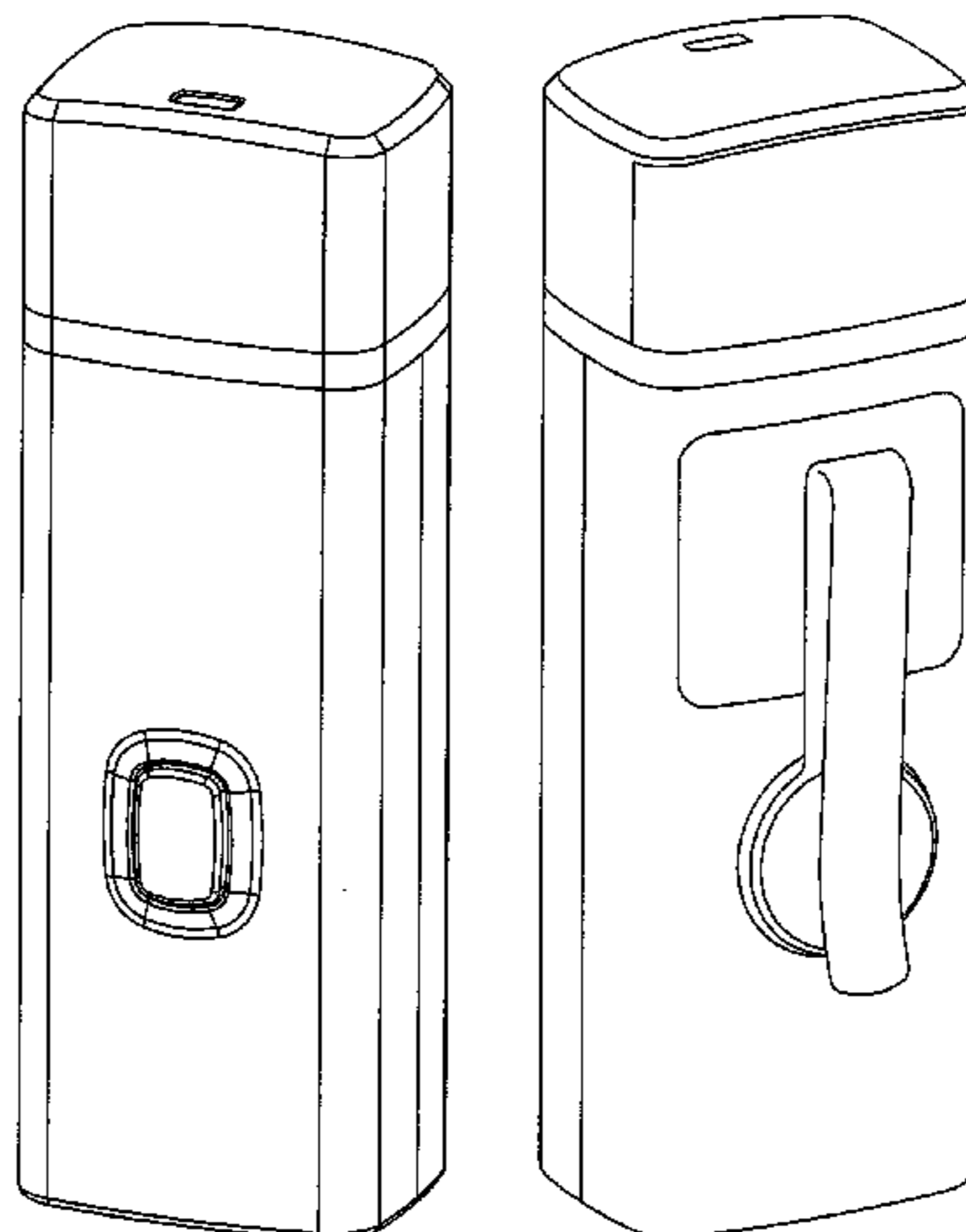
FIG. 6 is a bottom view of a personal wireless microphone for use with a multi-user audio system;

FIG. 7 is a top view of a personal wireless microphone for use with a multi-user audio system; and,

FIG. 8 is a side view of a personal wireless microphone for use with a multi-user audio system.

The broken lines form no part of the claimed design.

1 Claim, 3 Drawing Sheets



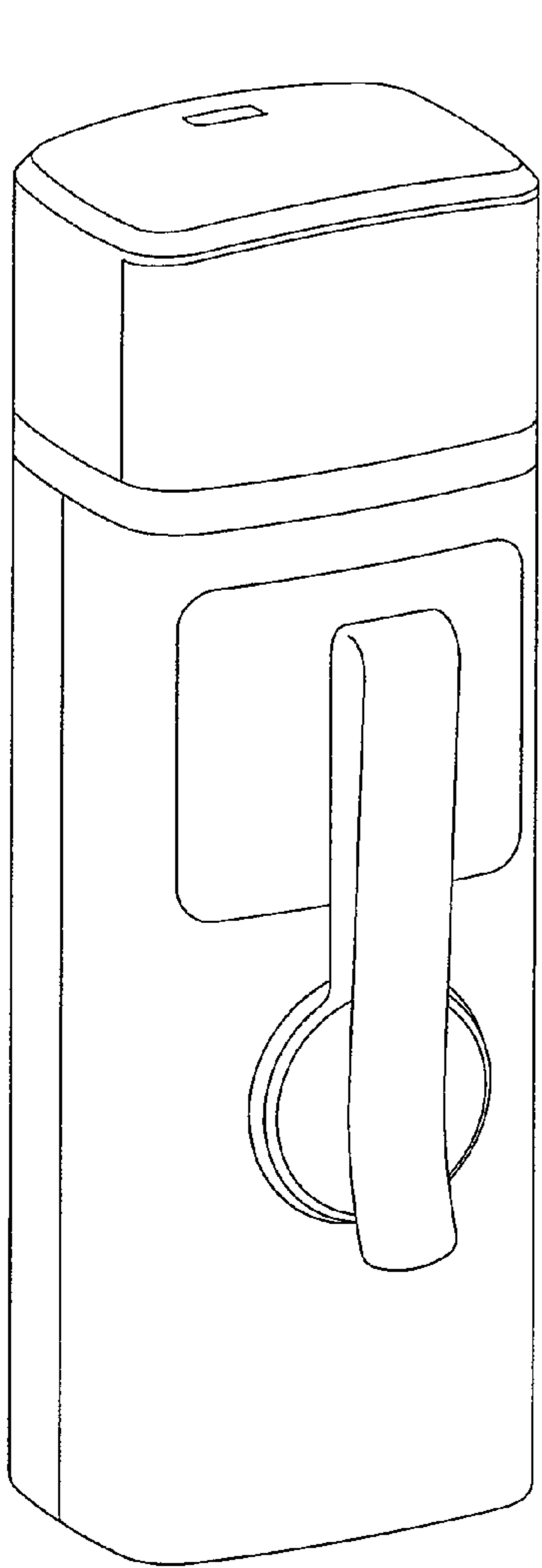


FIG. 2

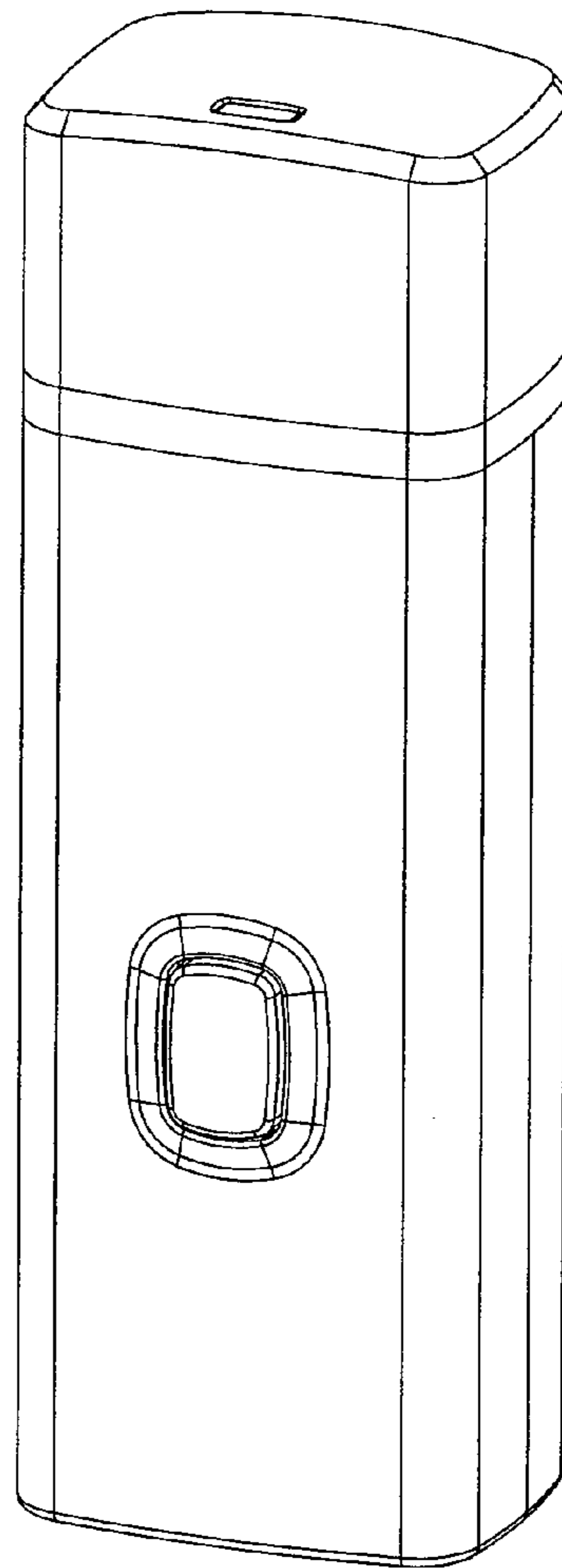


FIG. 1

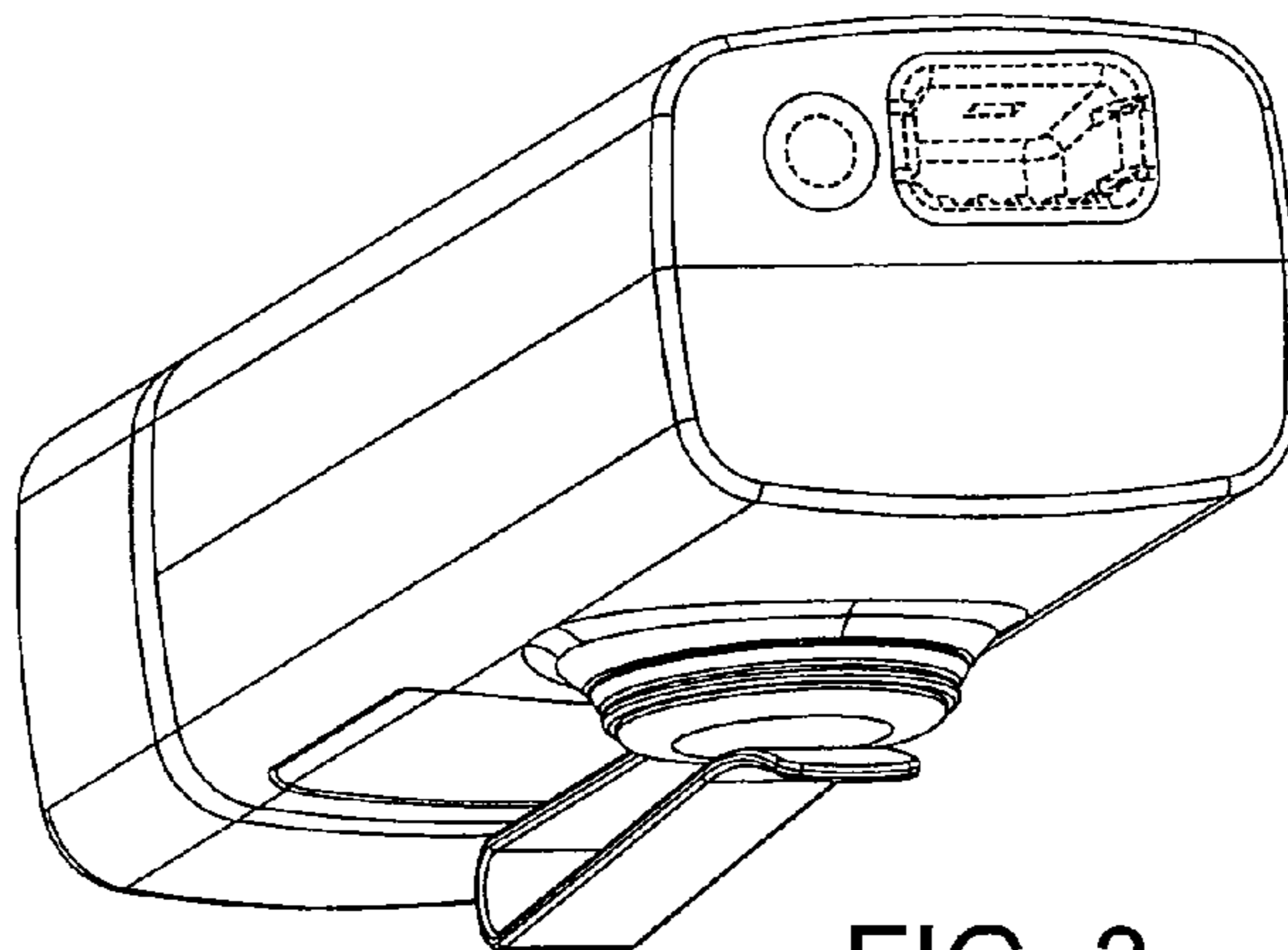


FIG. 3

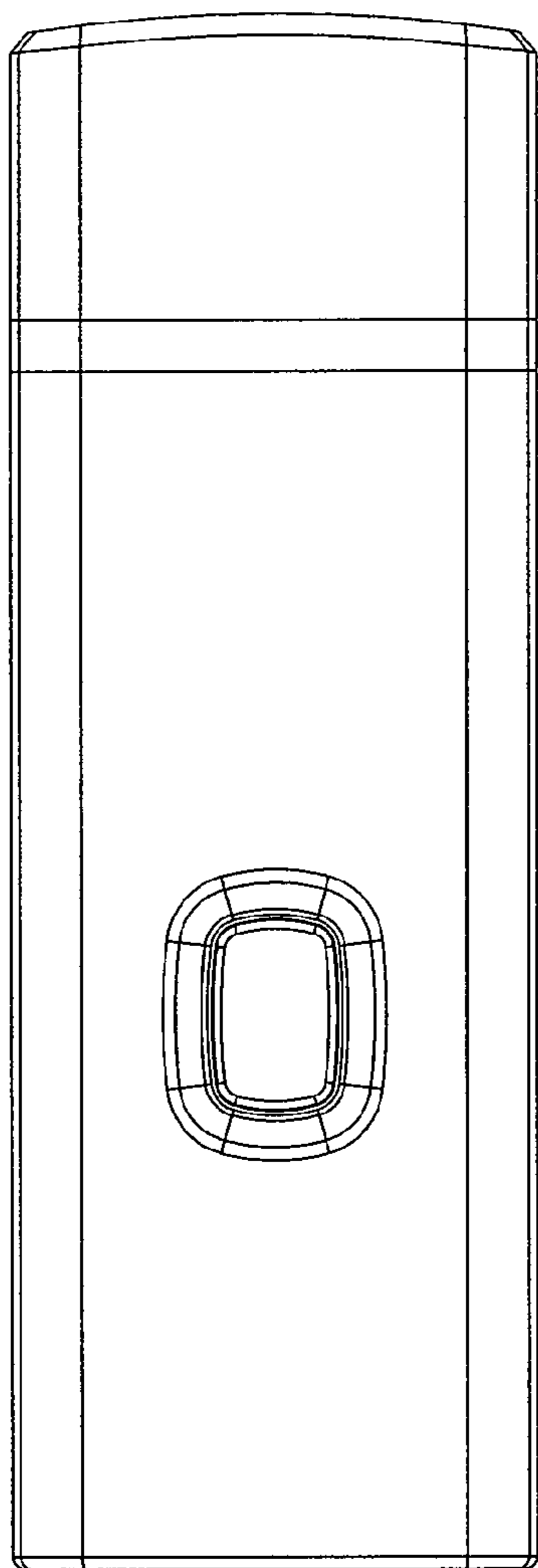


FIG. 4

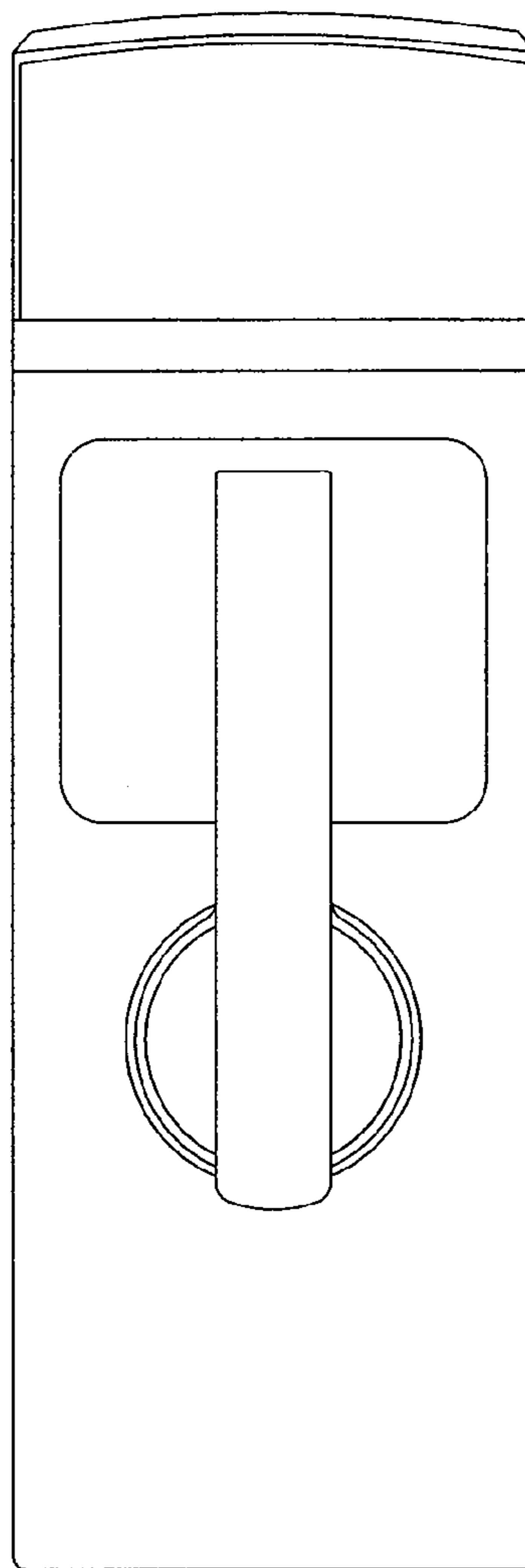


FIG. 5

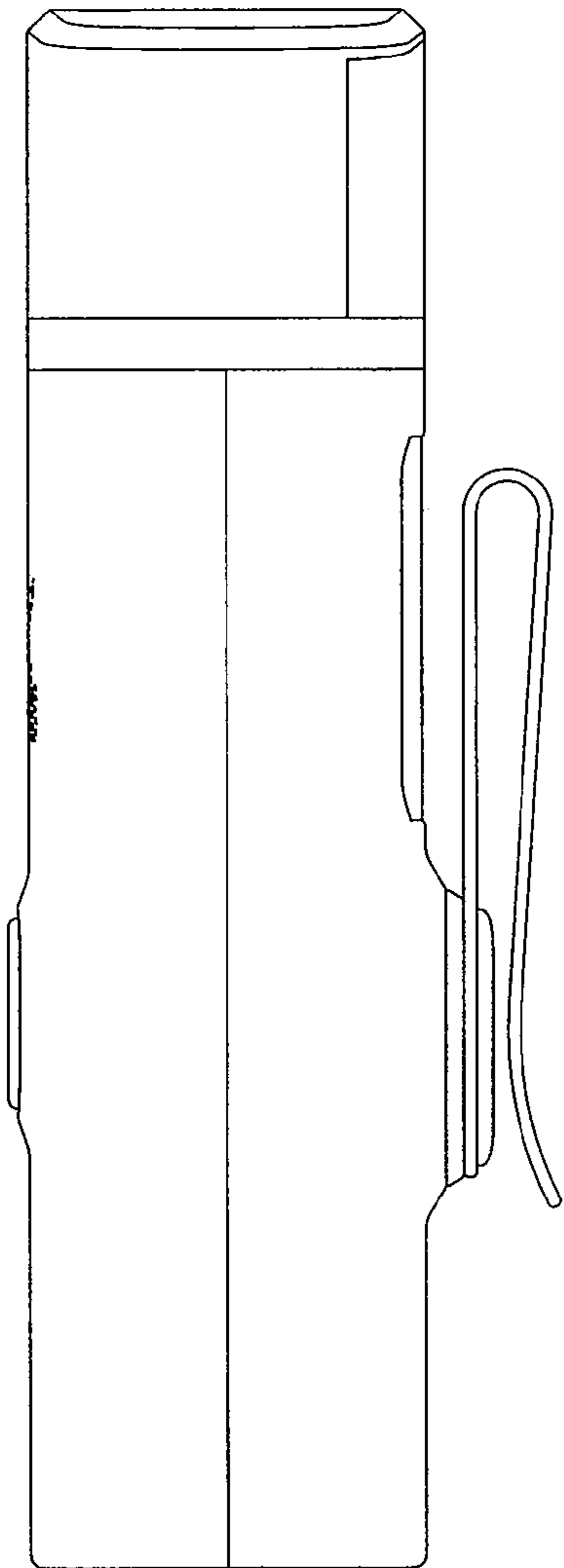


FIG. 8

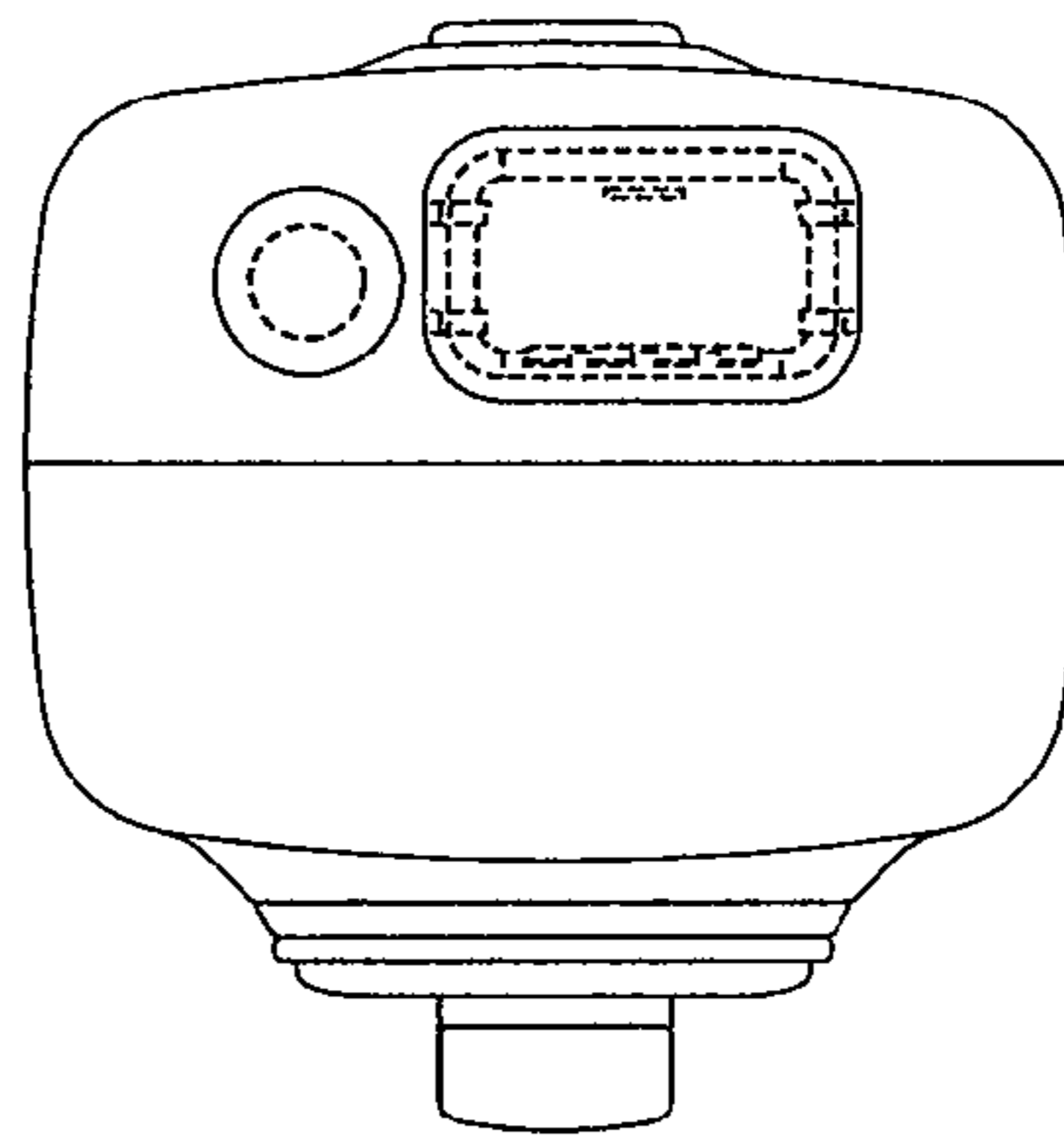


FIG. 6

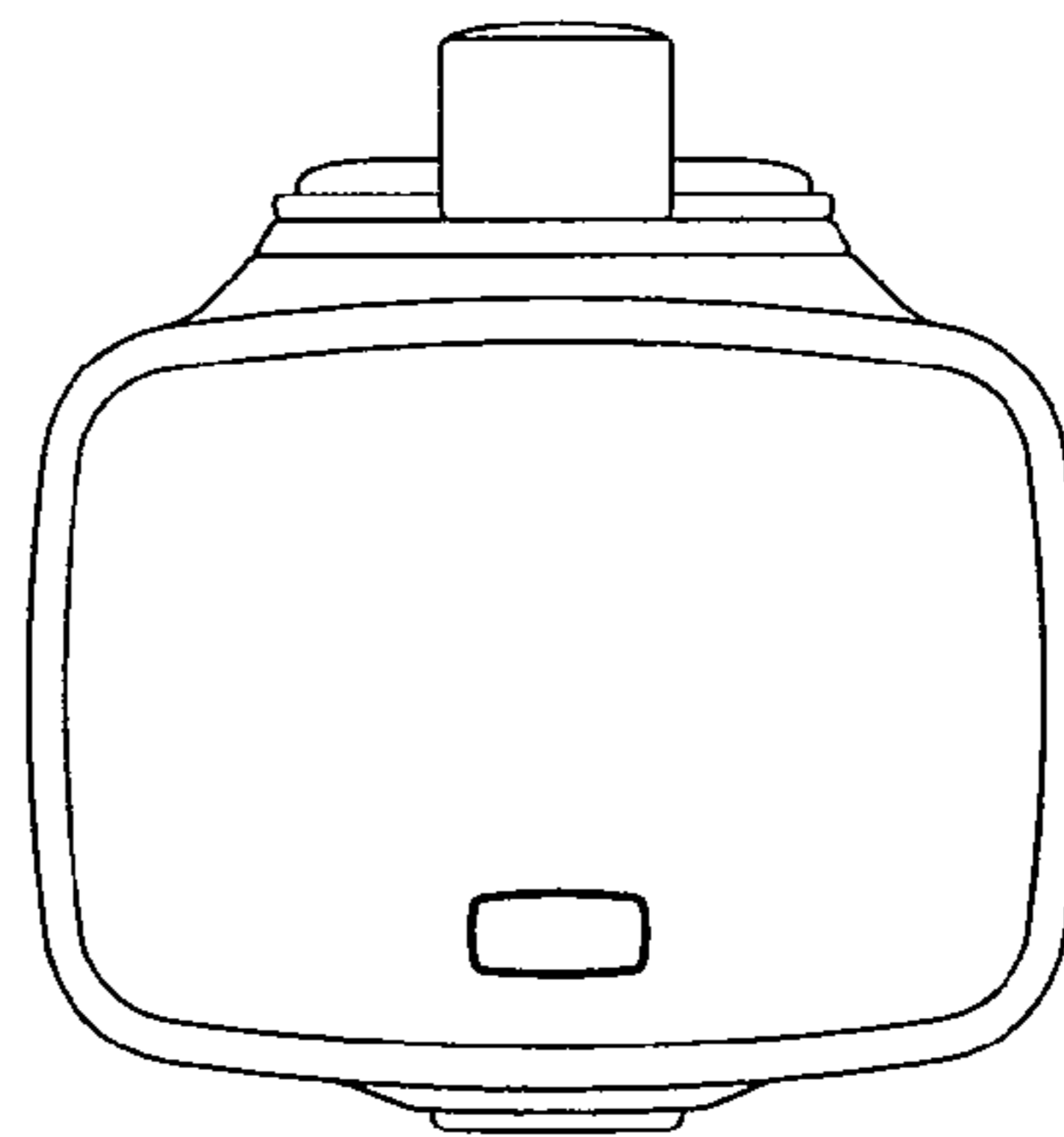


FIG. 7