



US00D602915S

(12) **United States Design Patent**  
**Song et al.**

(10) **Patent No.:** **US D602,915 S**

(45) **Date of Patent:** **\*\* Oct. 27, 2009**

(54) **REMOTE CONTROLLER FOR TELEVISION RECEIVER**

(75) Inventors: **Jae-Seung Song**, Seoul (KR); **Yun-Je Kang**, Kyunggi-do (KR); **Jun-Ho Yang**, Kyunggi-do (KR); **Young-Sun Shin**, Seoul (KR)

(73) Assignee: **Samsung Electronics Co., Ltd.**, Kyunggi-do (KR)

(\*\*) Term: **14 Years**

(21) Appl. No.: **29/310,035**

(22) Filed: **Jul. 23, 2008**

(51) **LOC (9) Cl.** ..... **14-03**

(52) **U.S. Cl.** ..... **D14/218**

(58) **Field of Classification Search** ..... D14/218,  
D14/455; D13/168; D21/566; D10/104,  
D10/106; 345/169; 348/14.05, 114, 211.99,  
348/734; 340/825.24; 341/22; 455/92, 95,  
455/128, 151.1–151.4, 352, 355, FOR. 121;  
700/65

See application file for complete search history.

(56) **References Cited**

**U.S. PATENT DOCUMENTS**

D325,582 S *	4/1992	Emmons et al.	.....	D14/218
D331,060 S *	11/1992	Emmons et al.	.....	D14/218
5,243,430 A *	9/1993	Emmons	.....	348/734
D382,307 S *	8/1997	Sharpe et al.	.....	D21/405
D392,945 S *	3/1998	Barry et al.	.....	D13/168
D418,837 S *	1/2000	Ishii	.....	D14/218
D427,993 S *	7/2000	Seal	.....	D14/218
D435,543 S *	12/2000	Nakamura	.....	D14/218
D438,513 S *	3/2001	Pinchuk	.....	D13/168
D471,539 S *	3/2003	Warner et al.	.....	D14/231
D496,004 S *	9/2004	Borsboom	.....	D13/168
D515,041 S	2/2006	Yun et al.		
D518,030 S *	3/2006	Lin	.....	D14/218
D521,459 S	5/2006	Yun et al.		

D524,295 S *	7/2006	Jacobson et al.	.....	D14/218
D525,212 S	7/2006	Kim		
D526,966 S *	8/2006	Chen	.....	D13/168
D526,973 S *	8/2006	Gates et al.	.....	D13/184
D531,993 S	11/2006	Choi et al.		
D541,228 S *	4/2007	Thursfield	.....	D13/168
D551,632 S	9/2007	Kim		
D555,107 S	11/2007	Choi et al.		
D559,201 S	1/2008	Oh et al.		
D559,202 S	1/2008	Sim et al.		
D583,775 S *	12/2008	Knoch	.....	D13/168

**OTHER PUBLICATIONS**

U.S. Appl. No. 29/310,032, Applicant: Jae-Seung Song, et al., filed Jul. 23, 2008 entitled Remote Controller for Television Receiver.

\* cited by examiner

*Primary Examiner*—T. Chase Nelson

*Assistant Examiner*—John Windmuller

(74) *Attorney, Agent, or Firm*—Flynn, Thiel, Boutell & Tanis, P.C.

(57) **CLAIM**

The ornamental design for a remote controller for television receiver, as shown and described.

**DESCRIPTION**

FIG. 1 is a top front perspective view of a remote controller for television receiver showing our new design;

FIG. 2 is a front elevational view thereof;

FIG. 3 is a rear elevational view thereof;

FIG. 4 is a left side elevational view thereof;

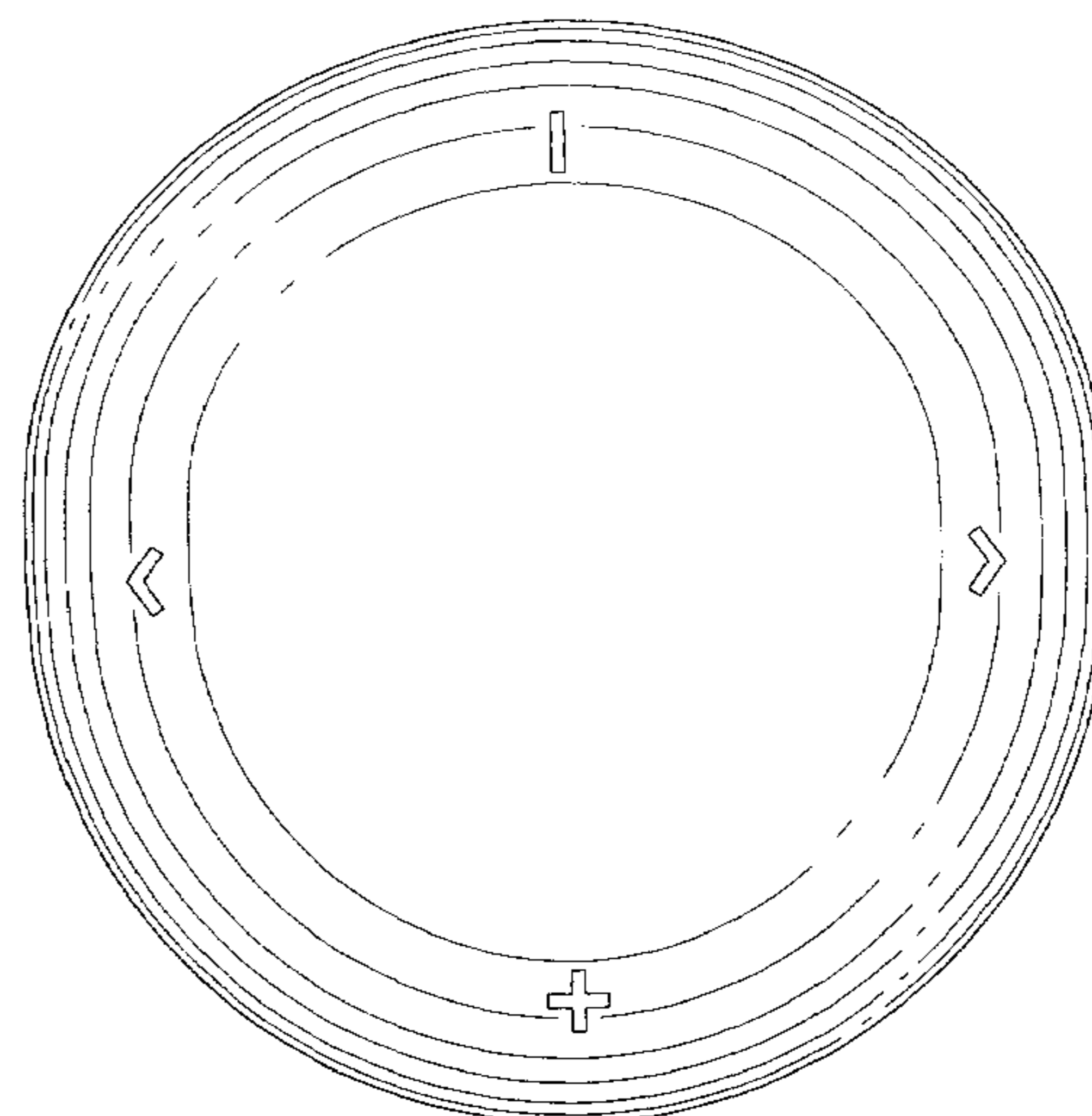
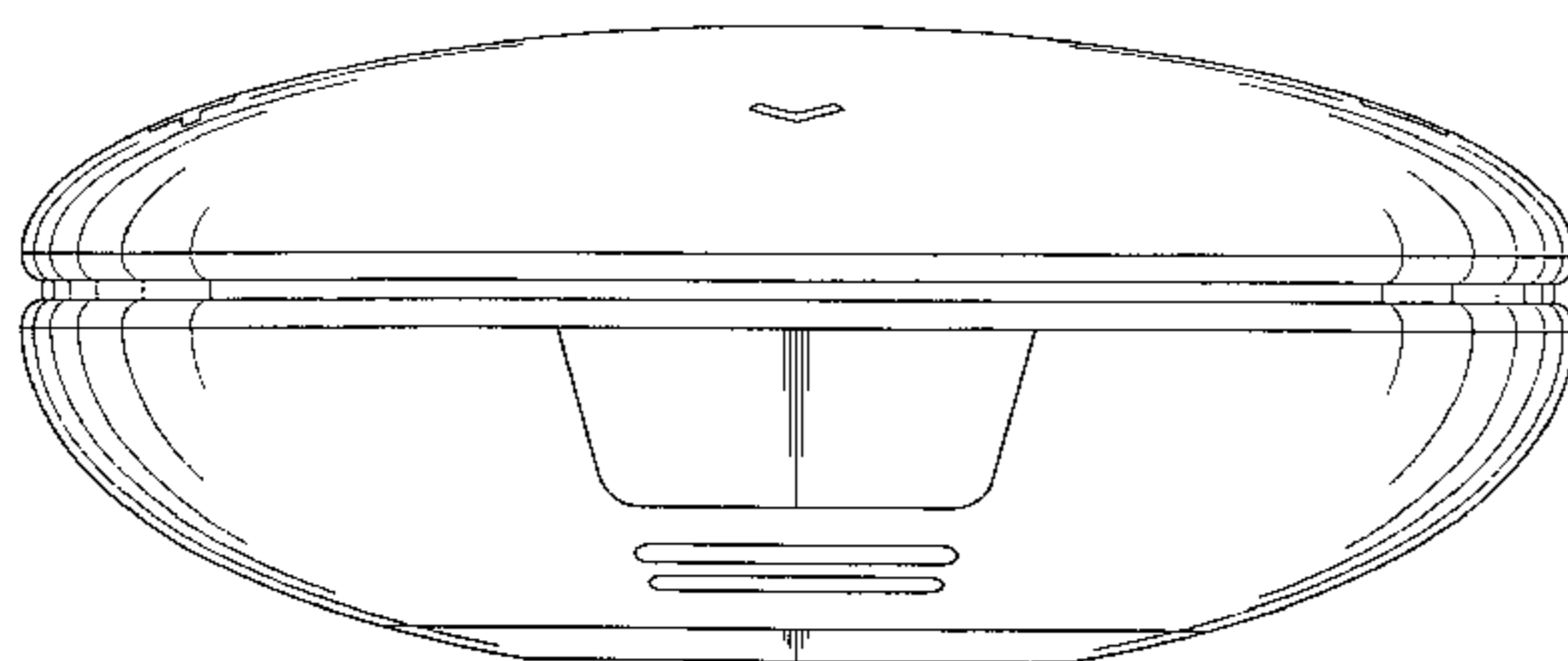
FIG. 5 is a right side elevational view thereof;

FIG. 6 is a top plan view thereof; and,

FIG. 7 is a bottom plan view thereof.

The broken lines depict environmental subject matter only and form no part of the claimed design.

**1 Claim, 5 Drawing Sheets**



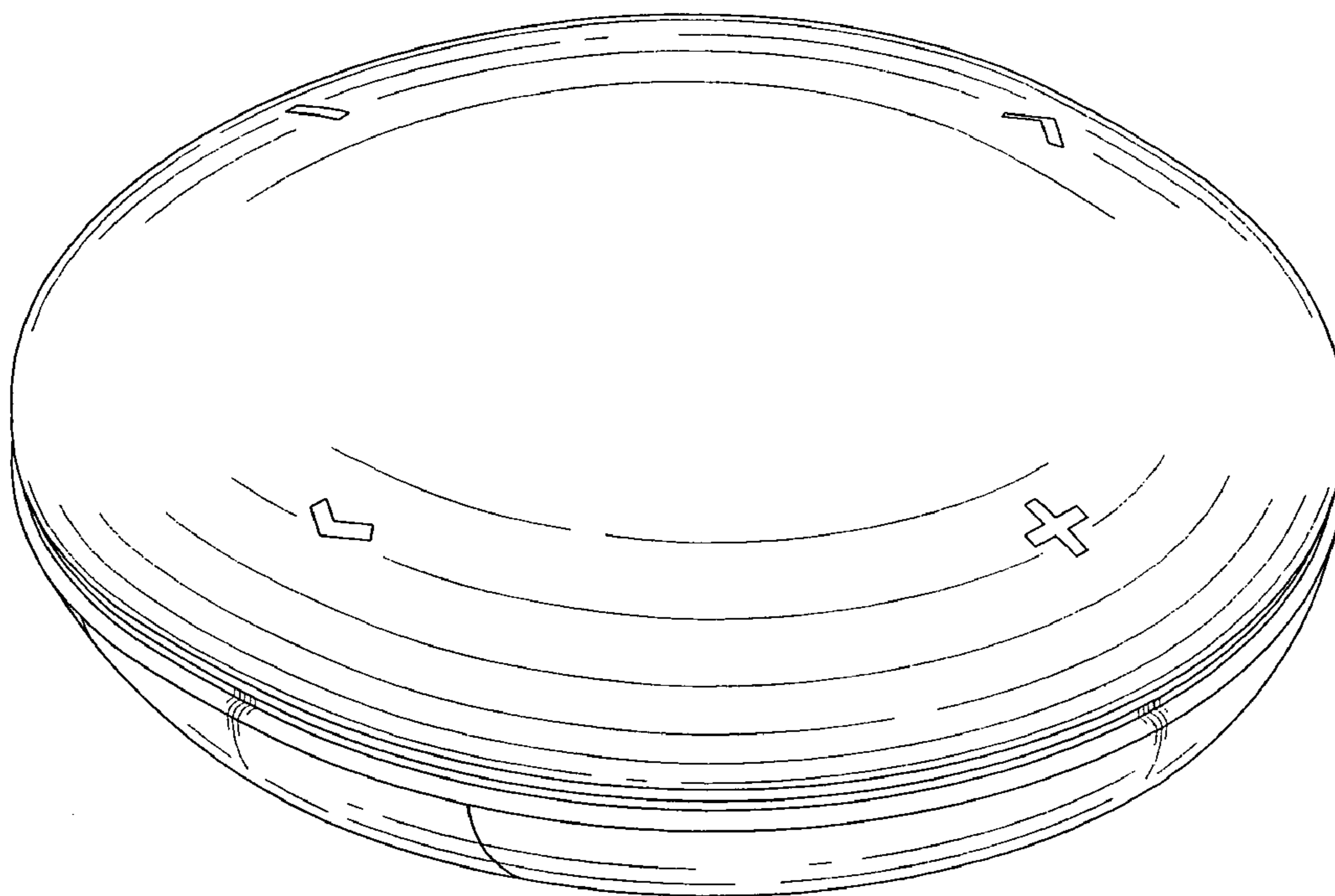


FIG. 1

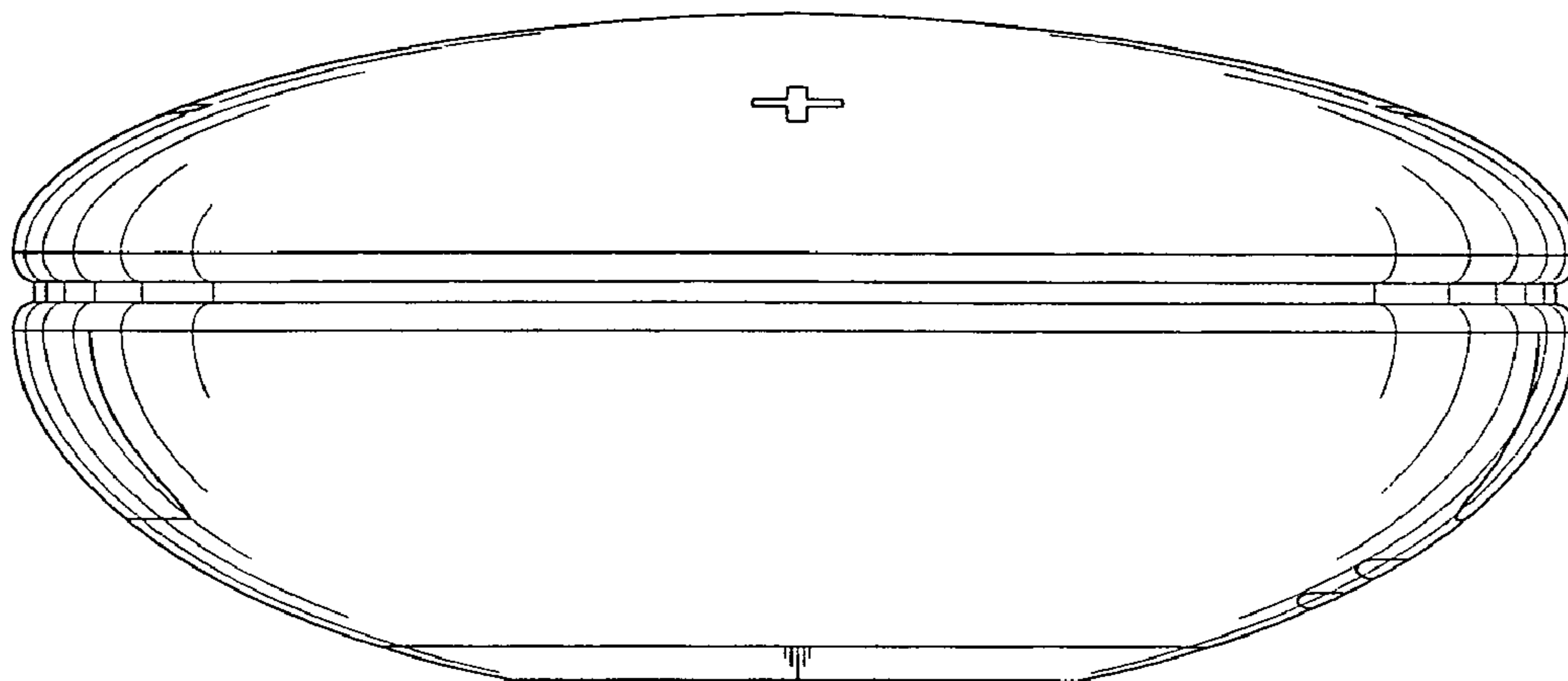


FIG. 2

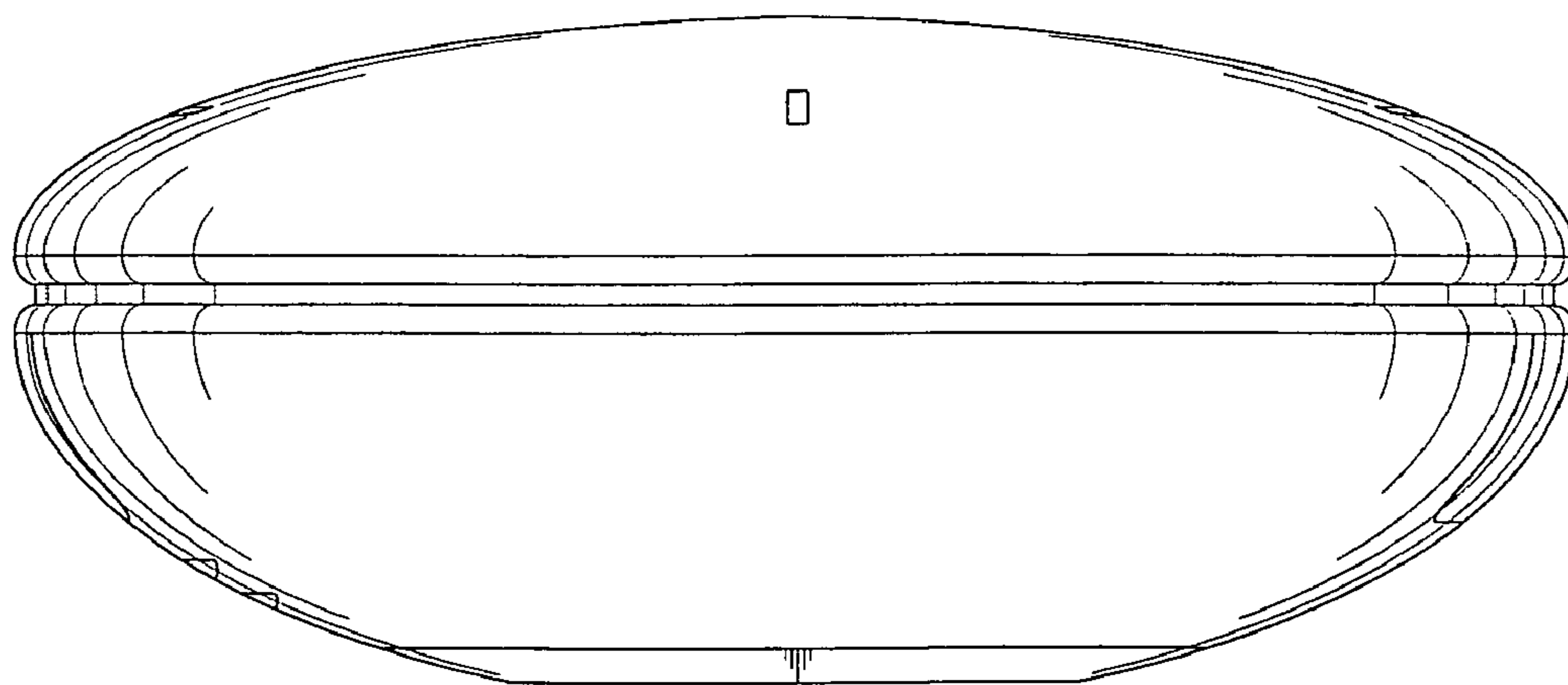


FIG. 3

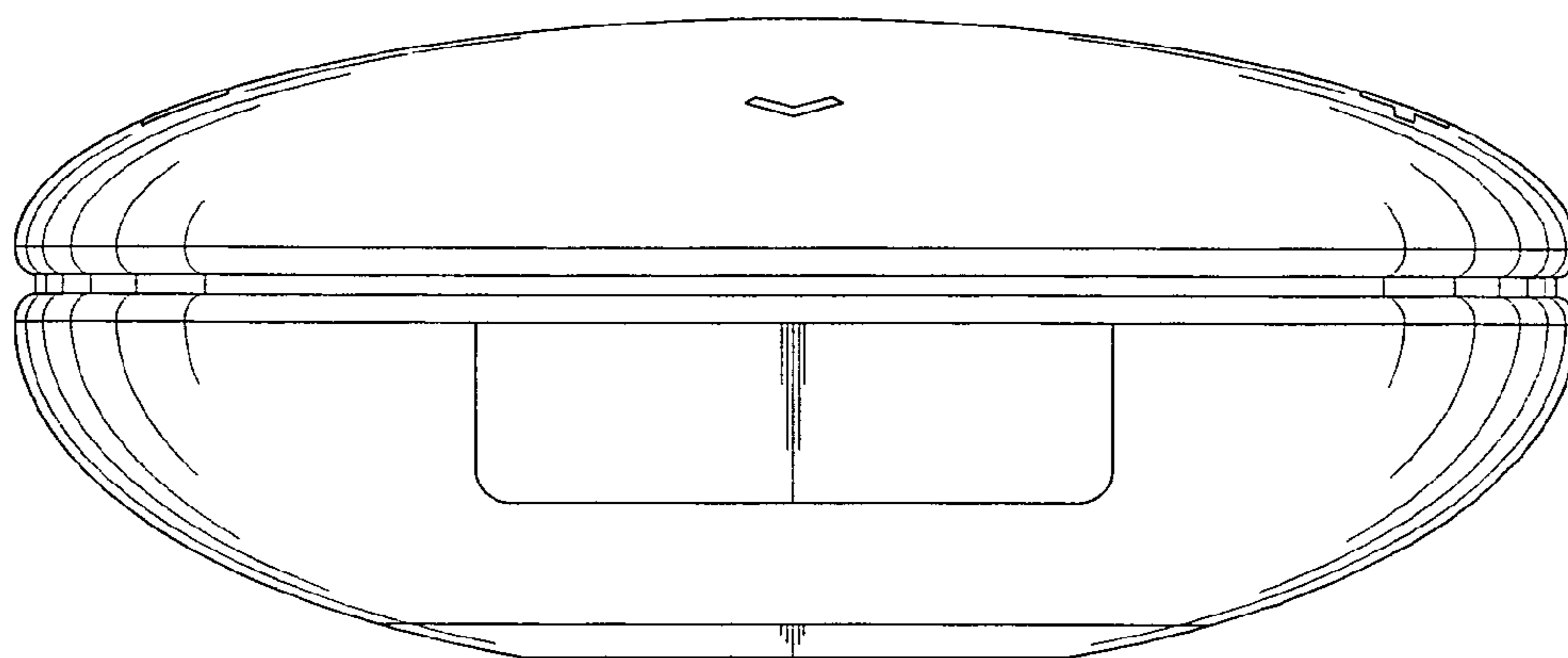


FIG. 4

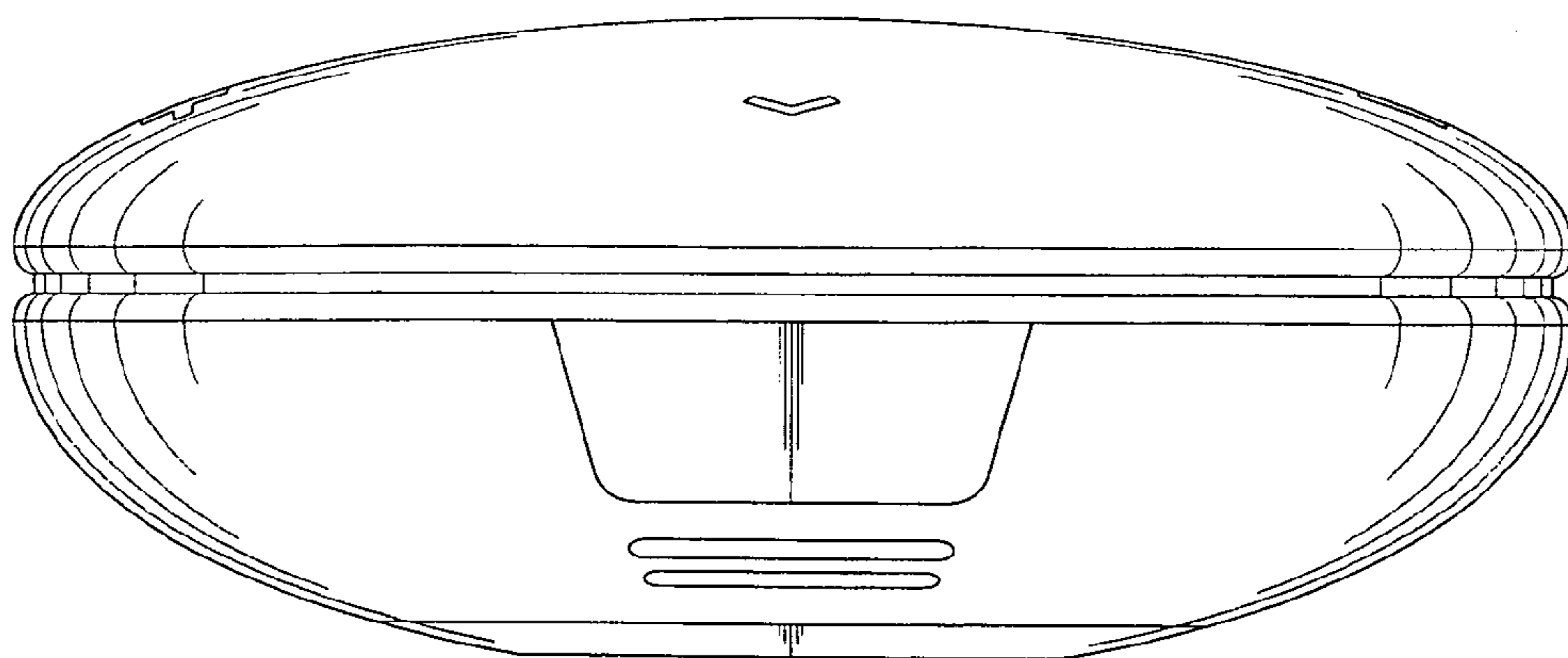


FIG. 5

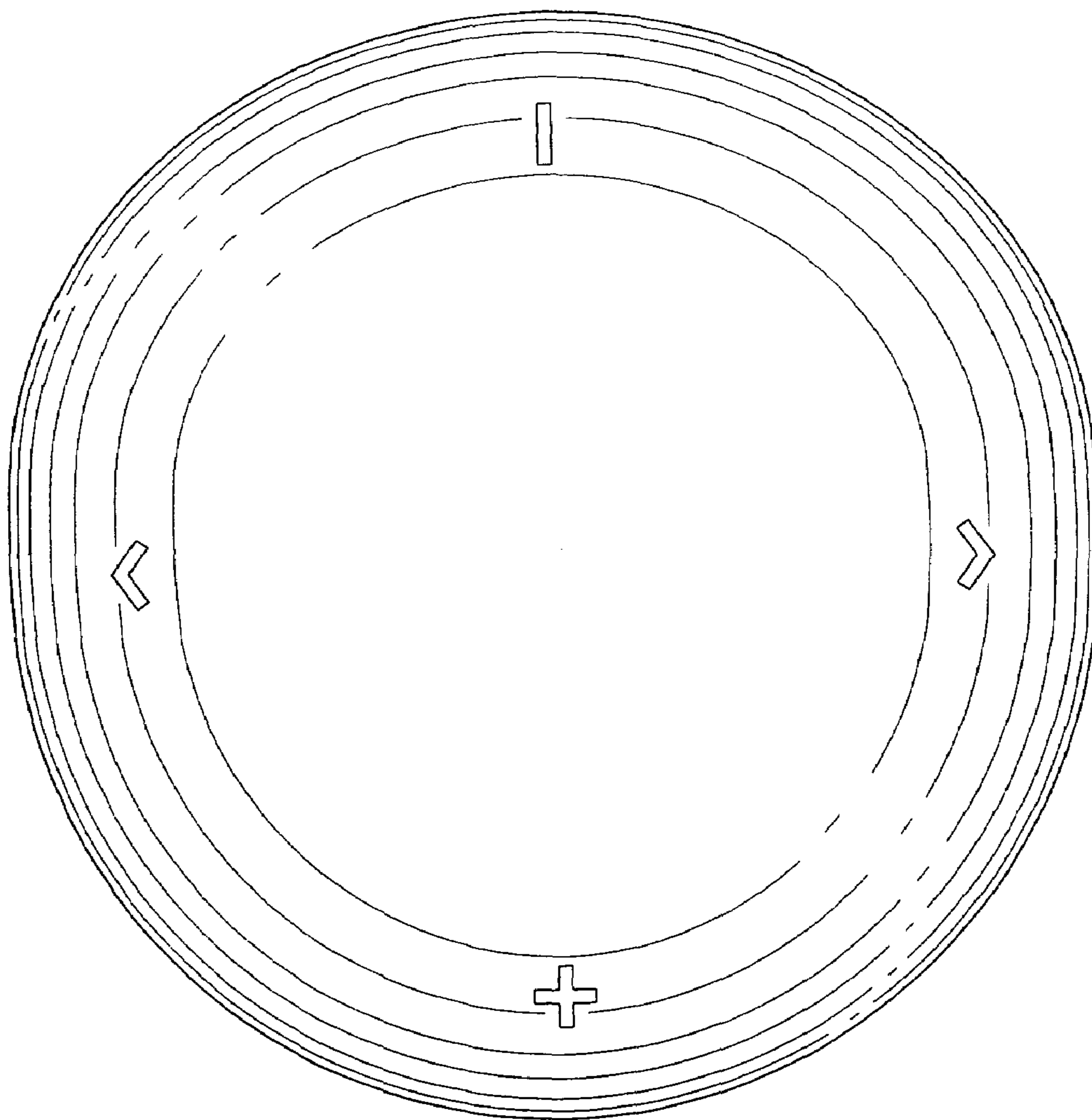


FIG. 6

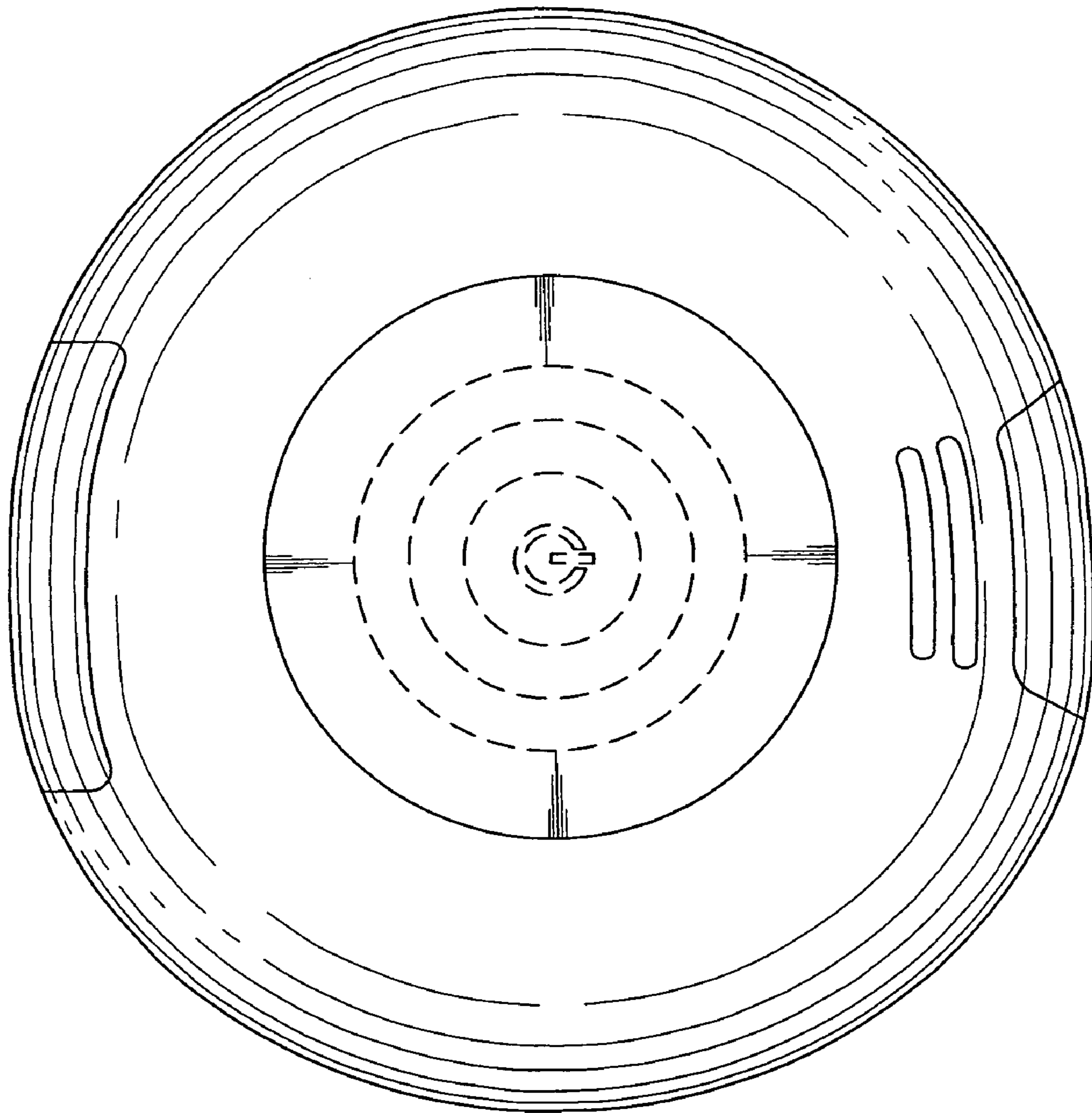


FIG. 7