



US00D602914S

(12) **United States Design Patent**  
**Williamson et al.**

(10) **Patent No.:** **US D602,914 S**

(45) **Date of Patent:** **\*\* Oct. 27, 2009**

(54) **DISC JOCKEY PERFORMANCE CONTROLLER**

D500,483 S \* 1/2005 Velazquez ..... D14/502  
D505,667 S \* 5/2005 Okada ..... D14/502  
D561,177 S \* 2/2008 Mittersinker et al. .... D14/217

(75) Inventors: **Paul Williamson**, Providence, RI (US);  
**Jonathan Hayes**, Boston, MA (US)

\* cited by examiner

(73) Assignee: **Numark Industries, LLC**, Cumberland, RI (US)

*Primary Examiner*—Nanda Bondade

(74) *Attorney, Agent, or Firm*—Barlow, Josephs & Holmes, Ltd.

(\*\*) Term: **14 Years**

(57) **CLAIM**

(21) Appl. No.: **29/330,702**

The ornamental design for a disc jockey performance controller, as shown and described.

(22) Filed: **Jan. 13, 2009**

**DESCRIPTION**

(51) **LOC (9) Cl.** ..... **14-01**

FIG. 1 is a perspective view of a disc jockey performance controller showing our new design;

(52) **U.S. Cl.** ..... **D14/217; D14/203**

FIG. 2 is a top view thereof;

(58) **Field of Classification Search** ..... D14/204,  
D14/210–217, 172, 162, 168, 198, 496, 203,  
D14/500–502; 181/143–144, 147–148, 150–153,  
181/157, 198–199; 381/300–303, 306, 332–333,  
381/336, 345, 361–364, 386–388

FIG. 3 is a bottom view thereof;

FIG. 4 is a front elevational view thereof;

FIG. 5 is a rear elevational view thereof;

FIG. 6 is a left side elevational view thereof; and,

FIG. 7 is a right side elevational view thereof.

See application file for complete search history.

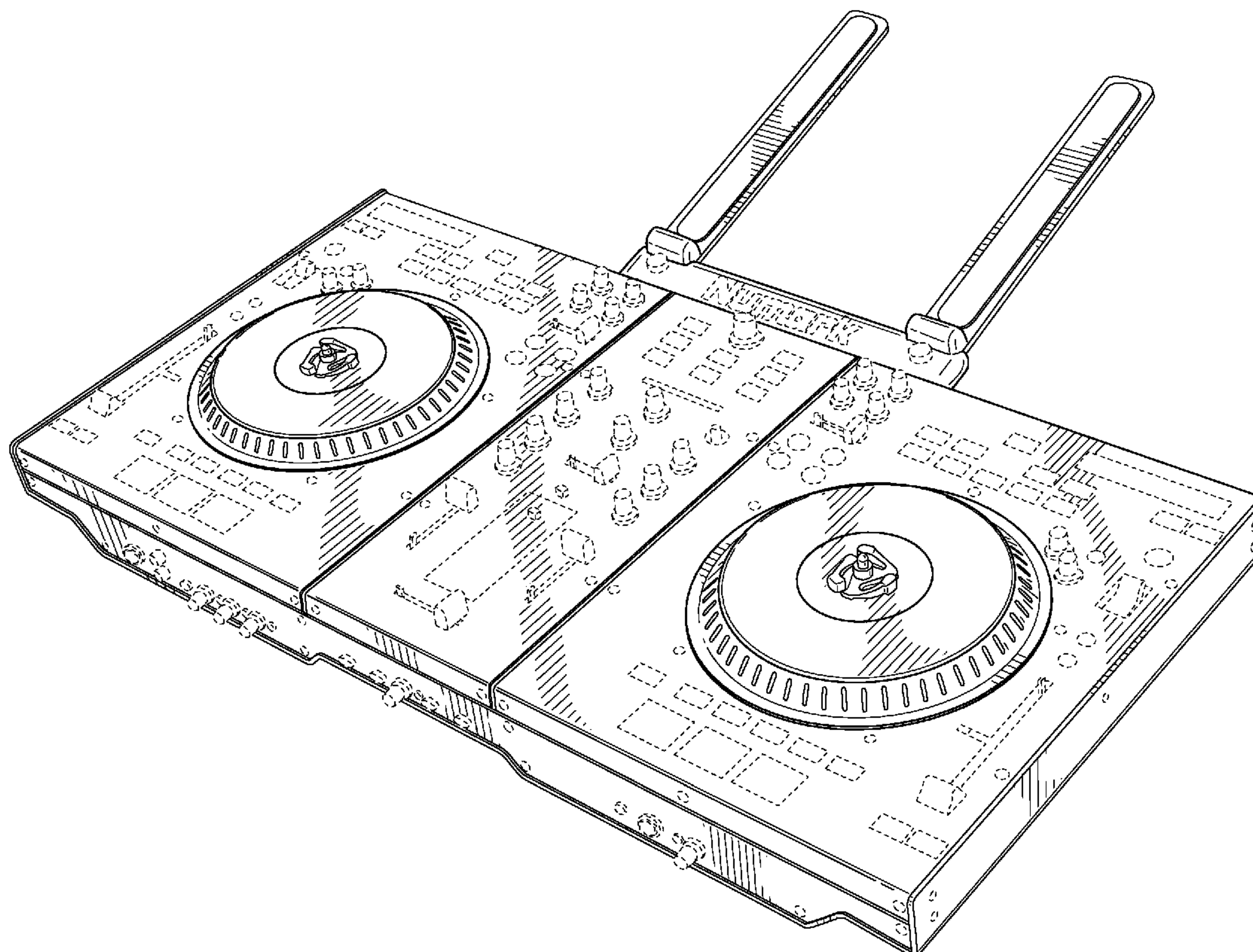
The switches, sliders, indicators, knobs, buttons, logo, vent holes and fasteners are shown in broken lines on FIGS. 1–7 are for illustrative purposes only and form no part of the present invention.

(56) **References Cited**

**U.S. PATENT DOCUMENTS**

D244,144 S \* 4/1977 Macari ..... D14/217  
5,675,557 A \* 10/1997 Hubinger ..... 369/4  
D420,353 S \* 2/2000 Amai ..... D14/217  
D466,884 S \* 12/2002 Clayton ..... D14/168  
D496,922 S \* 10/2004 Kimura ..... D14/500

**1 Claim, 7 Drawing Sheets**



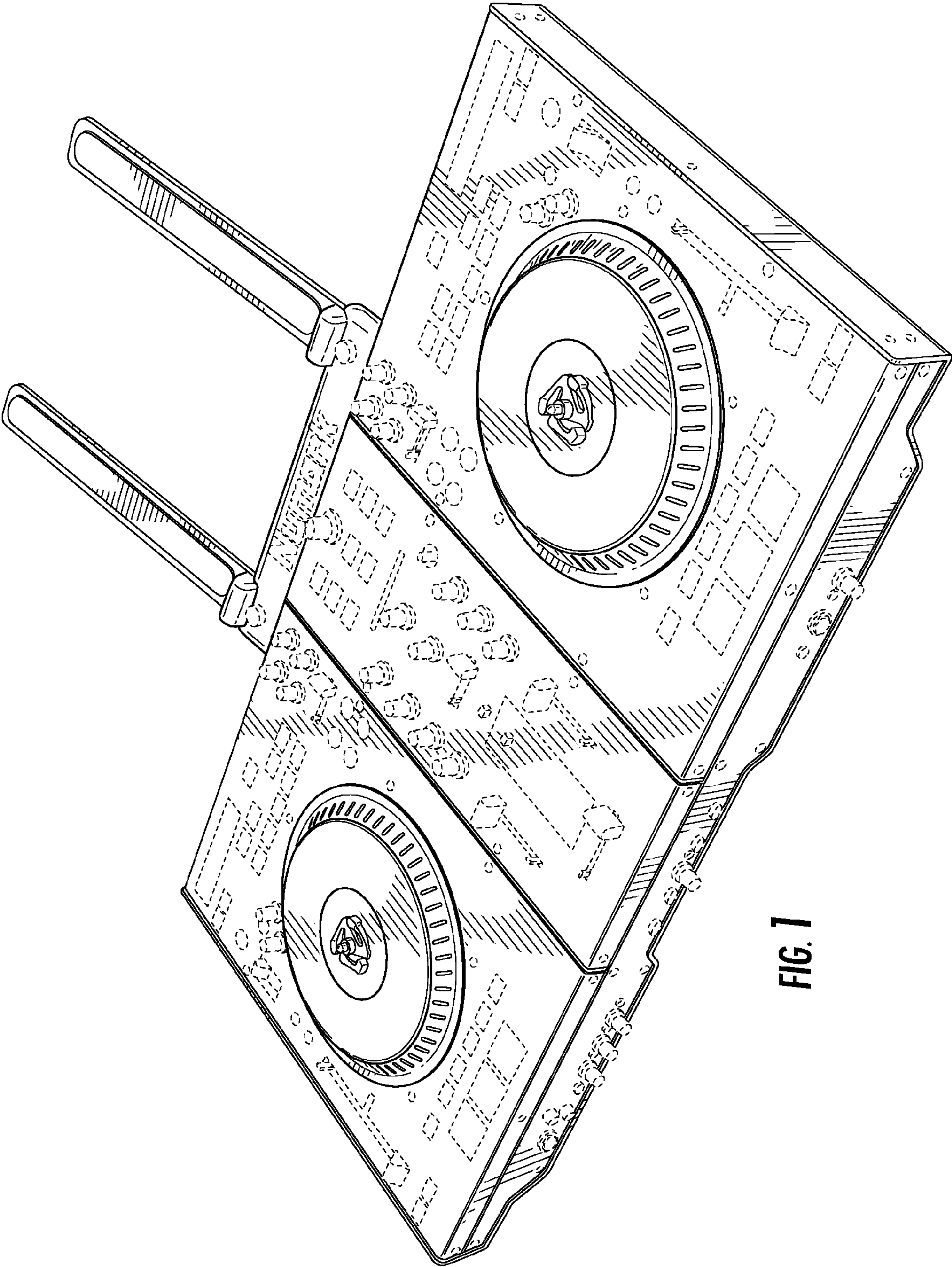


FIG. 1



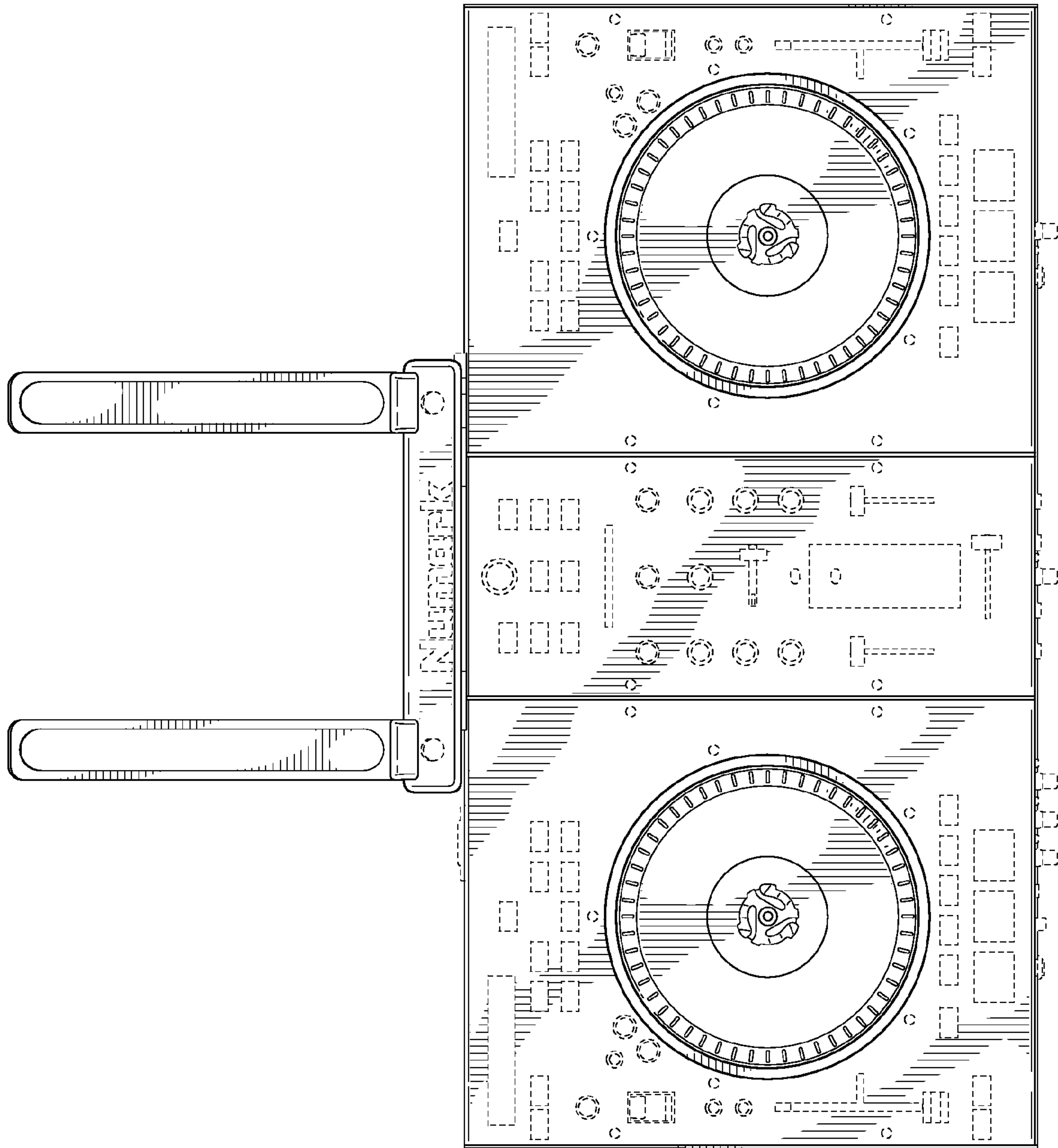


FIG. 2

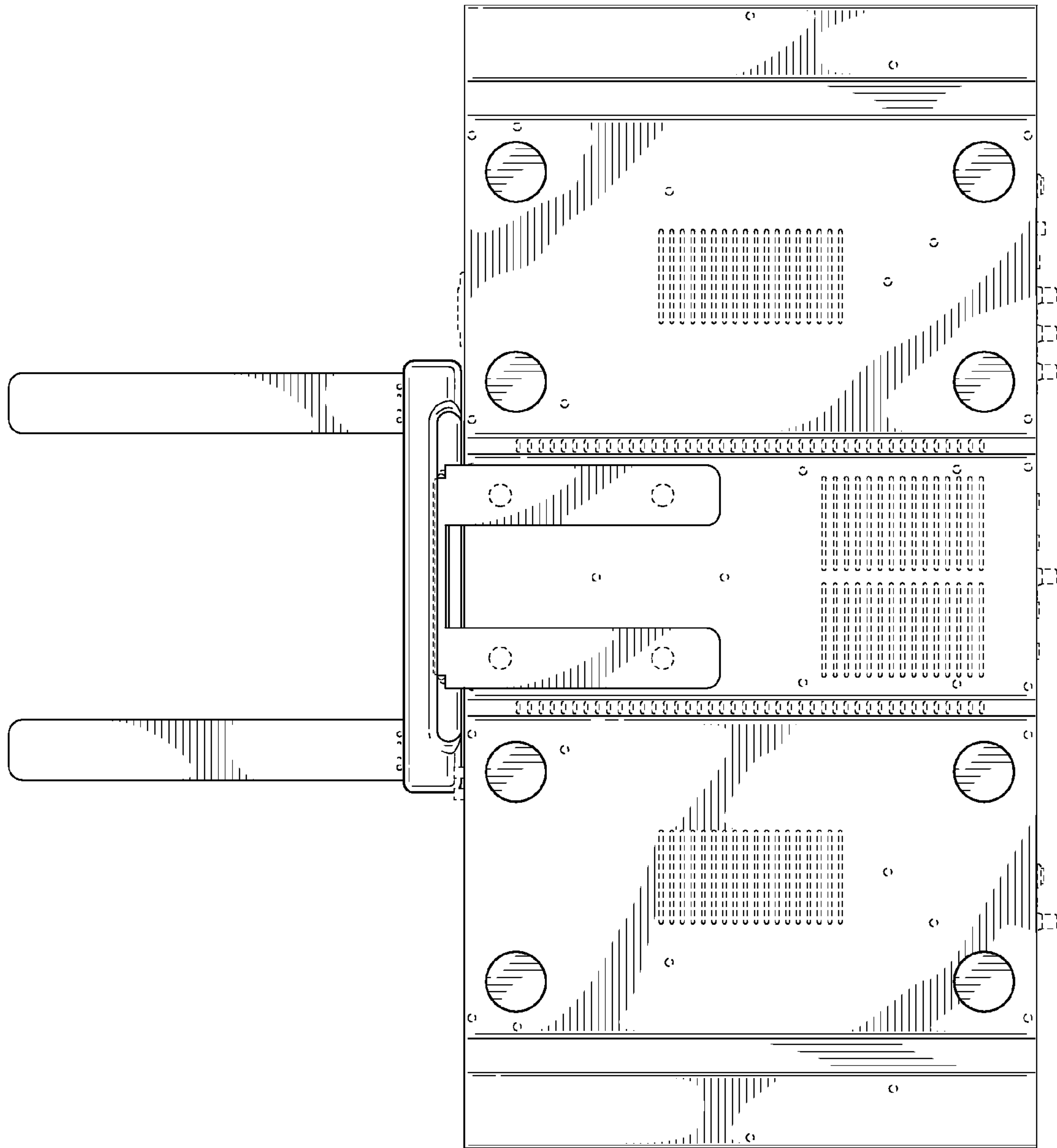
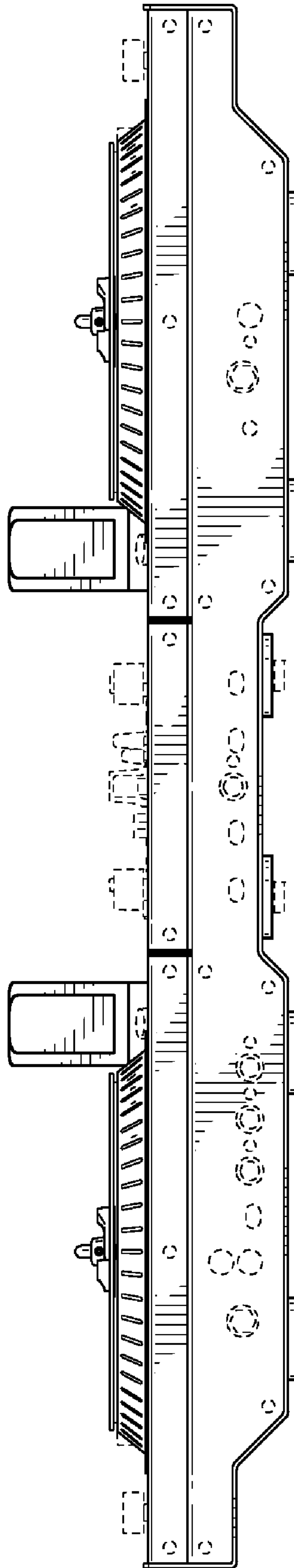
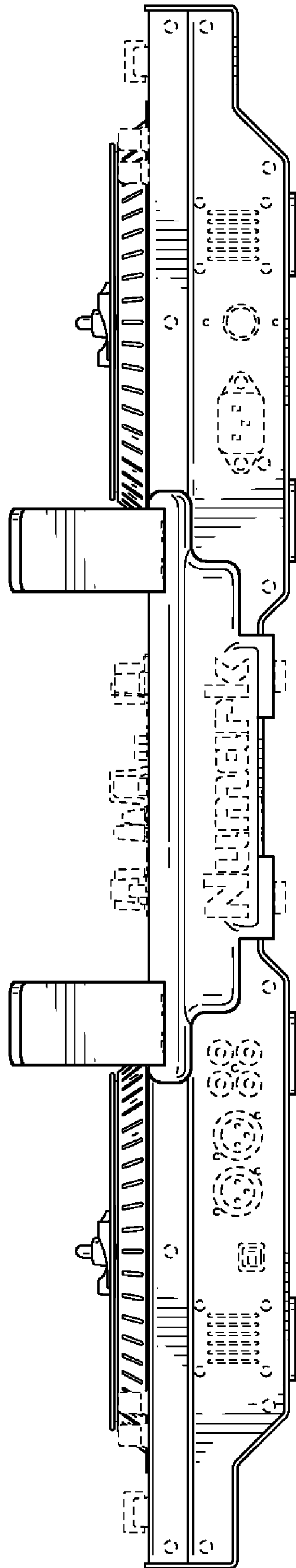


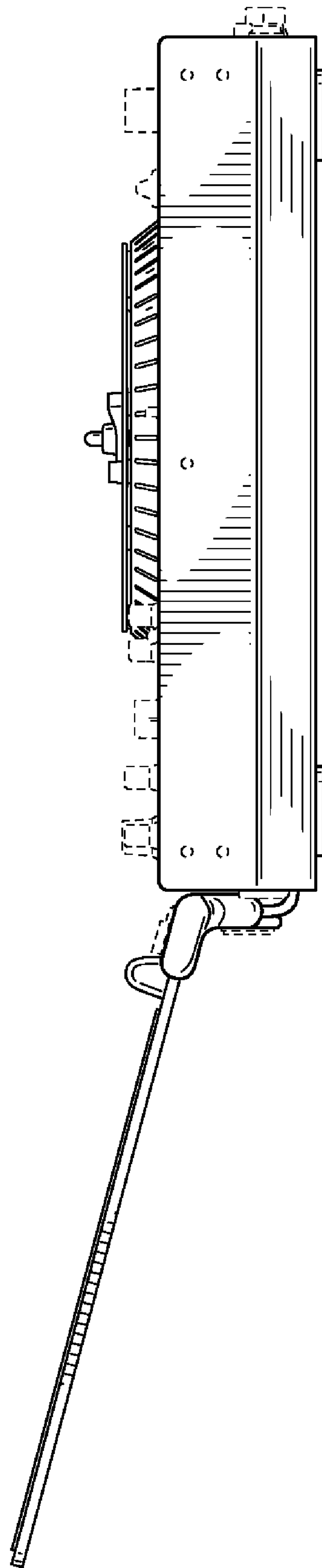
FIG. 3



**FIG. 4**



**FIG. 5**



**FIG. 6**

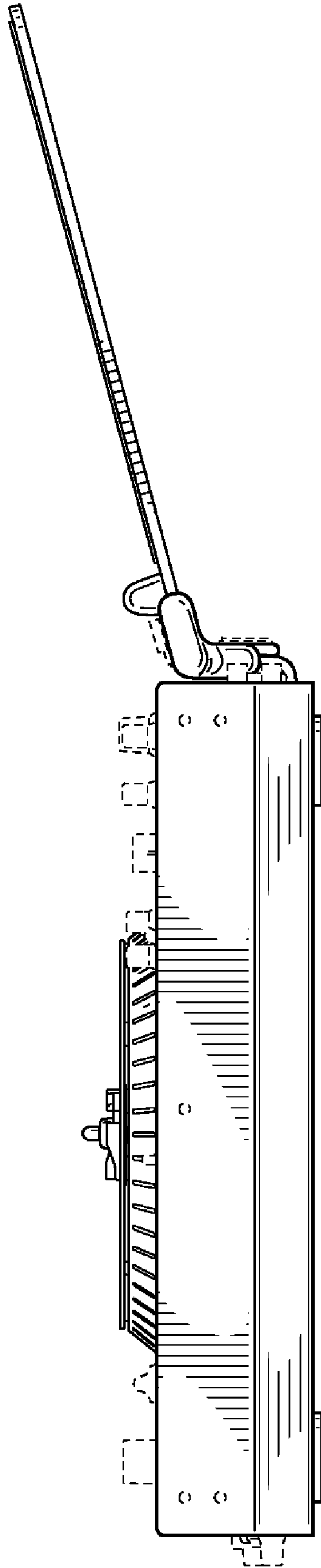


FIG. 7