



US00D602913S

(12) **United States Design Patent**
Han et al.

(10) **Patent No.:** **US D602,913 S**

(45) **Date of Patent:** **** Oct. 27, 2009**

(54) **HOLDER FOR MP3 PLAYER**

(75) Inventors: **Kyung ho Han**, Seoul (KR); **Sung mo Jung**, Seoul (KR)

(73) Assignees: **Bazo Co. Ltd.**, Seoul (KR); **Seung Bok Park**, Seoul (KR); **Hong Geun Han**, Seoul (KR)

(**) Term: **14 Years**

(21) Appl. No.: **29/303,774**

(22) Filed: **Feb. 16, 2008**

(30) **Foreign Application Priority Data**

Feb. 1, 2008 (KR) 30-2008-0004821

(51) **LOC (9) Cl.** **14-02**

(52) **U.S. Cl.** **D14/217**

(58) **Field of Classification Search** D14/142, D14/149, 217, 251, 253, 432, 434, 435, 447, D14/496; D13/107, 108, 118; D3/215, 218, D3/318, 328; 248/221.11, 309.1, 175; 320/107, 320/110, 113-115; 361/600, 679, 683, 686; 439/529, 534; 455/556.1, 556.2, 557
See application file for complete search history.

(56) **References Cited**

U.S. PATENT DOCUMENTS

D407,708 S * 4/1999 Nagele et al. D14/240
D413,110 S * 8/1999 Sweere et al. D14/447
D425,907 S * 5/2000 Frye et al. D14/248

D429,242 S * 8/2000 Sun D14/253
D457,163 S * 5/2002 Peiker D14/434
D518,861 S * 4/2006 Bingham et al. D21/694
D529,905 S * 10/2006 Richter D14/253
D530,713 S * 10/2006 Richter D14/253
2006/0027724 A1 * 2/2006 Richter 248/429

* cited by examiner

Primary Examiner—Prabhakar Deshmukh

Assistant Examiner—K. L. H.

(74) *Attorney, Agent, or Firm*—Hess Patent Law Firm, PC; Robert J. Hess

(57) **CLAIM**

The ornamental design for a holder for MP3 player, as shown and described.

DESCRIPTION

FIG. 1 is a top perspective view of a holder for MP3 player, embodying our new design;

FIG. 2 is a front plan view thereof;

FIG. 3 is a back plan view thereof;

FIG. 4 is a left side view thereof;

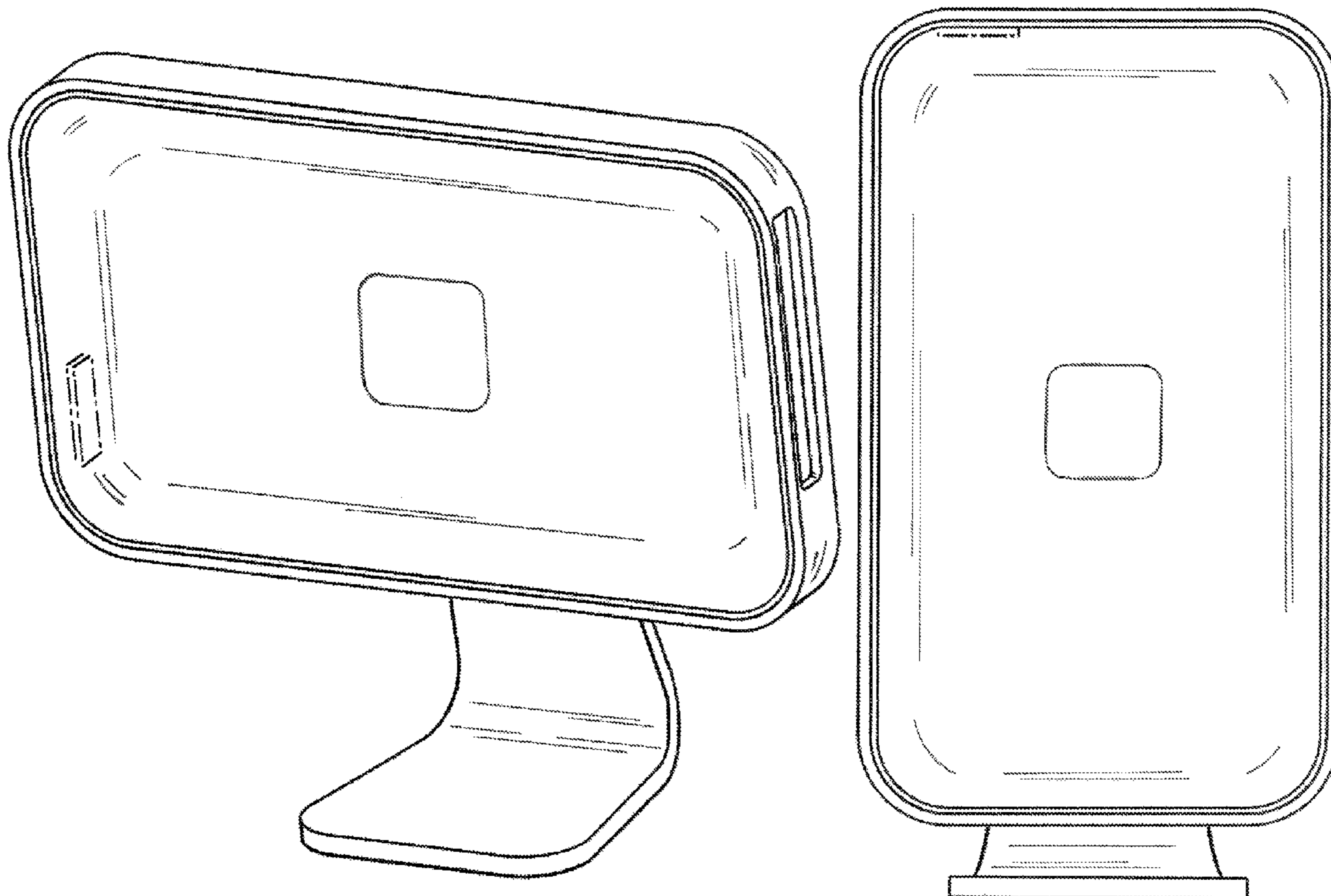
FIG. 5 is a right side view thereof;

FIG. 6 is a top plan view thereof;

FIG. 7 is a bottom plan view thereof; and,

FIG. 8 is an alternate front plan view thereof, shown with the MP3 Holder rotated to a different position.

1 Claim, 8 Drawing Sheets



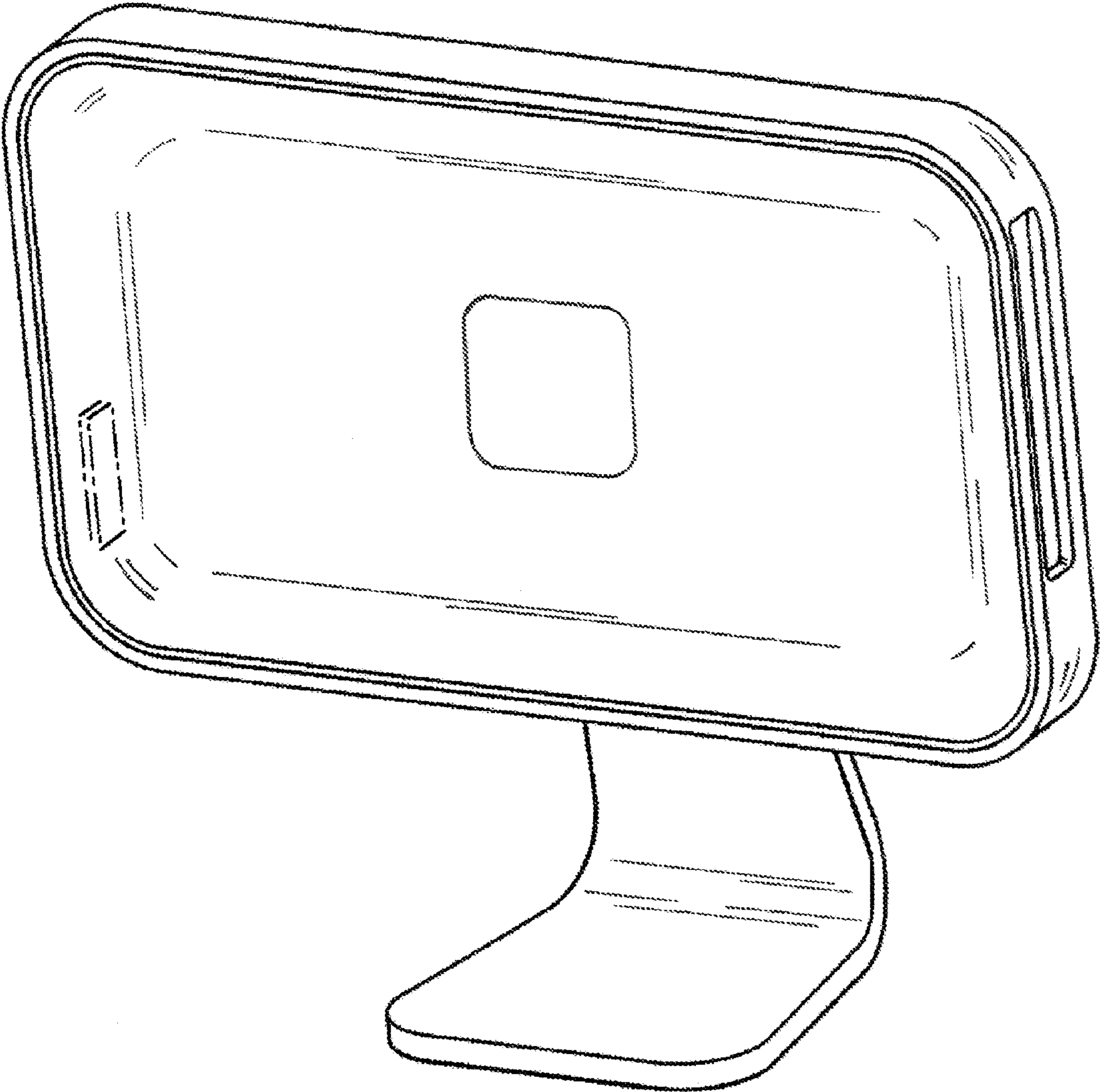


FIG. 1

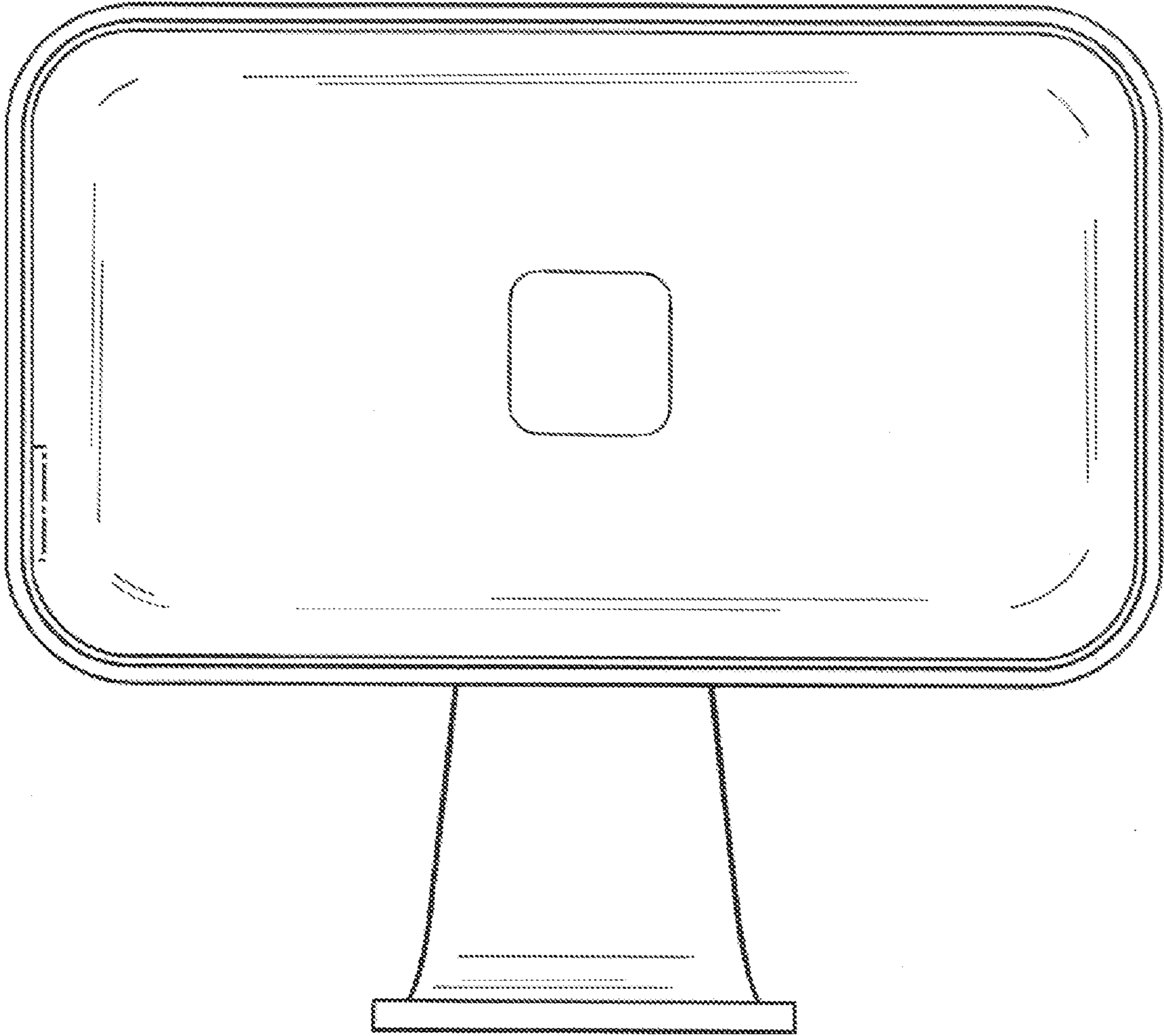


FIG. 2

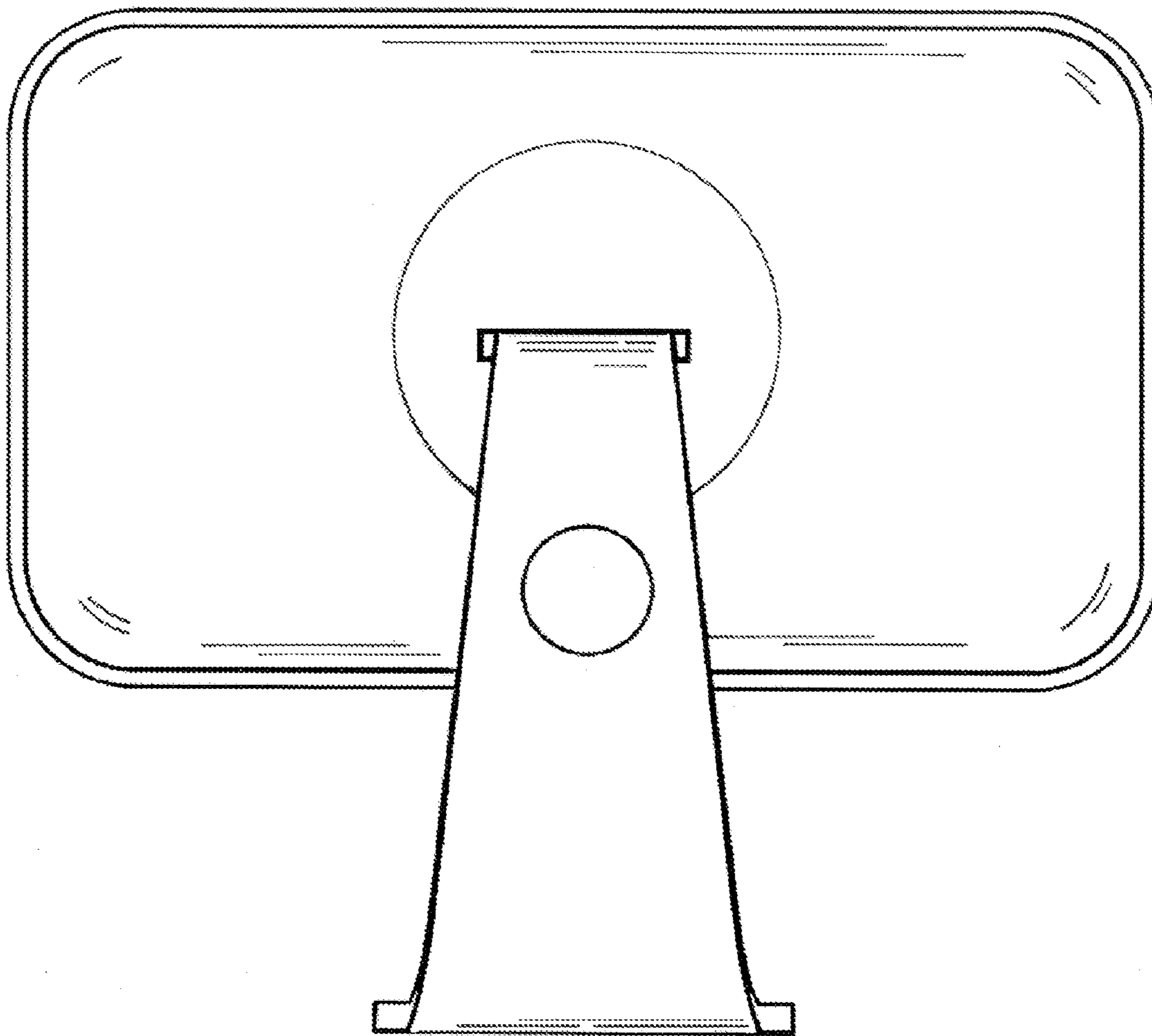


FIG. 3

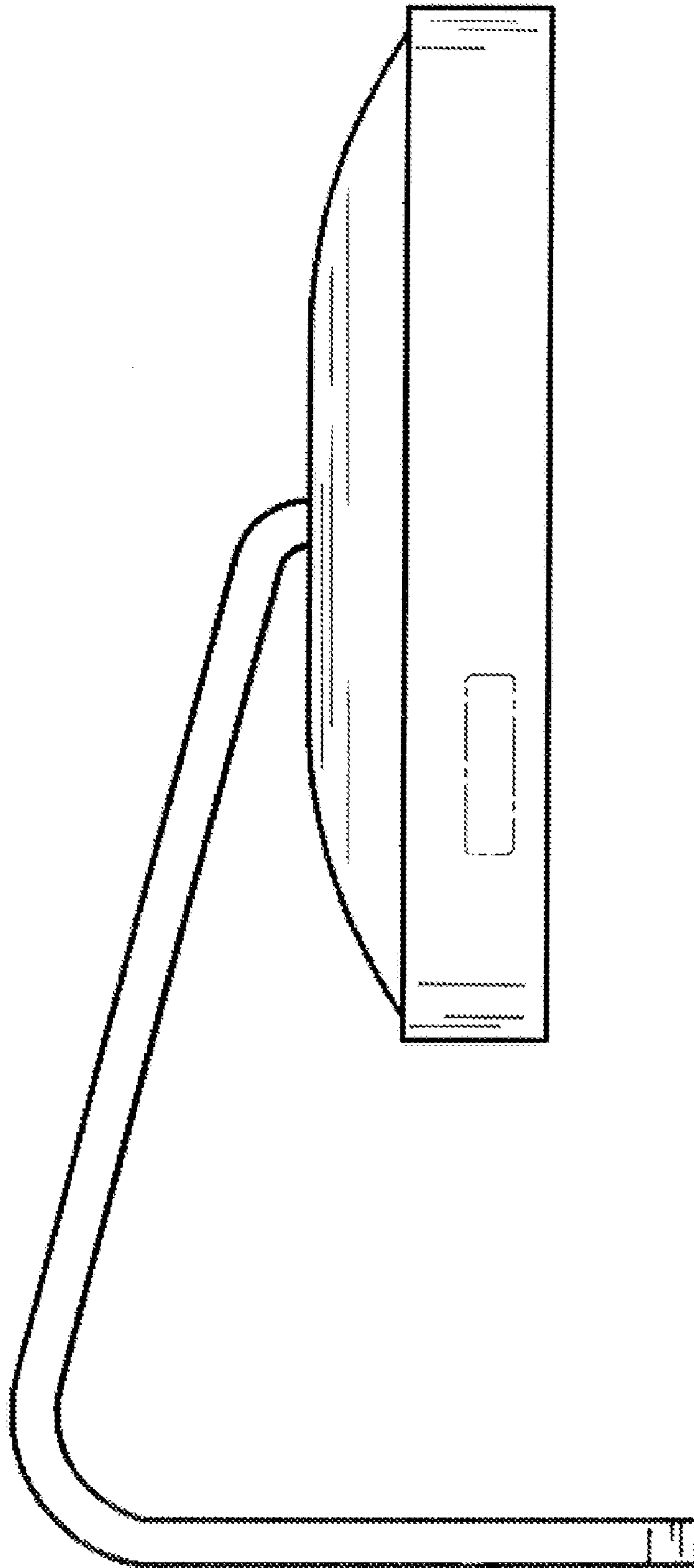


FIG. 4

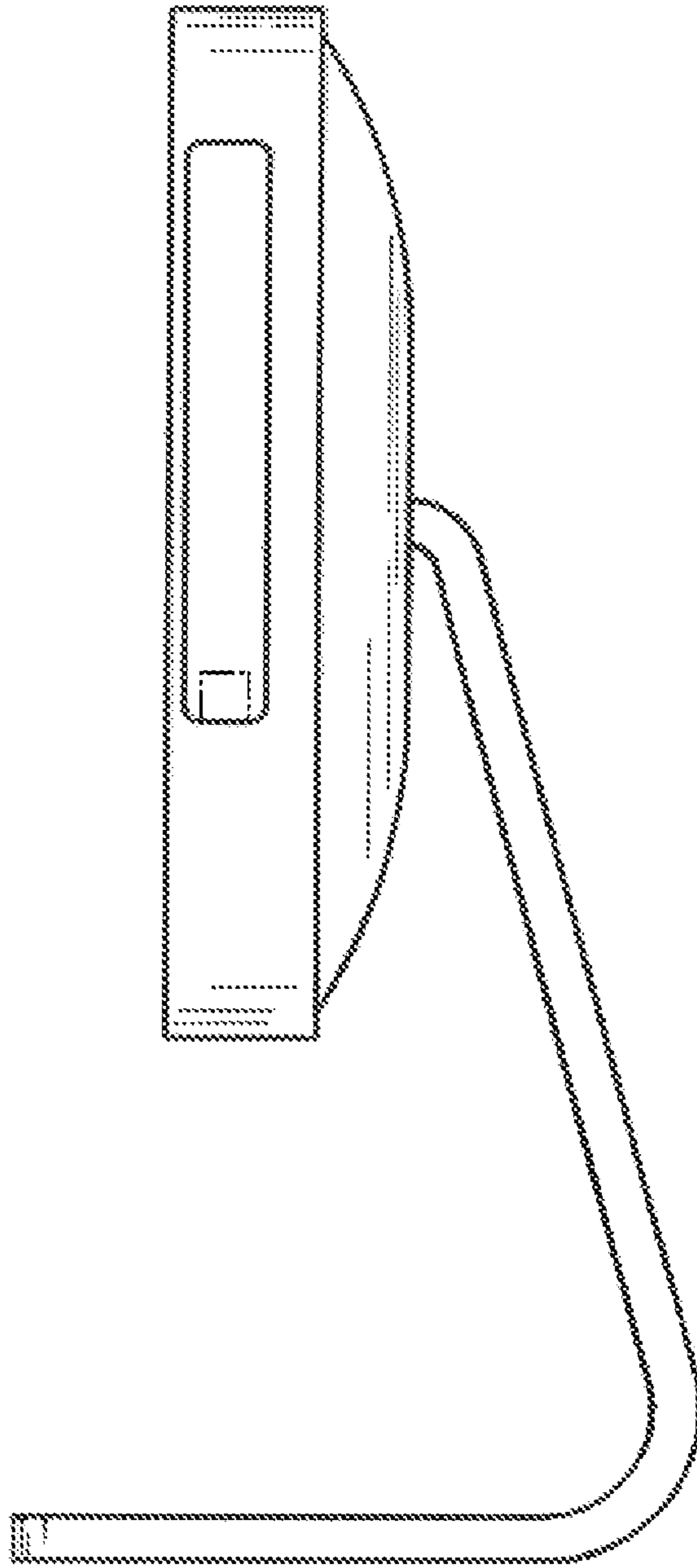


FIG. 5

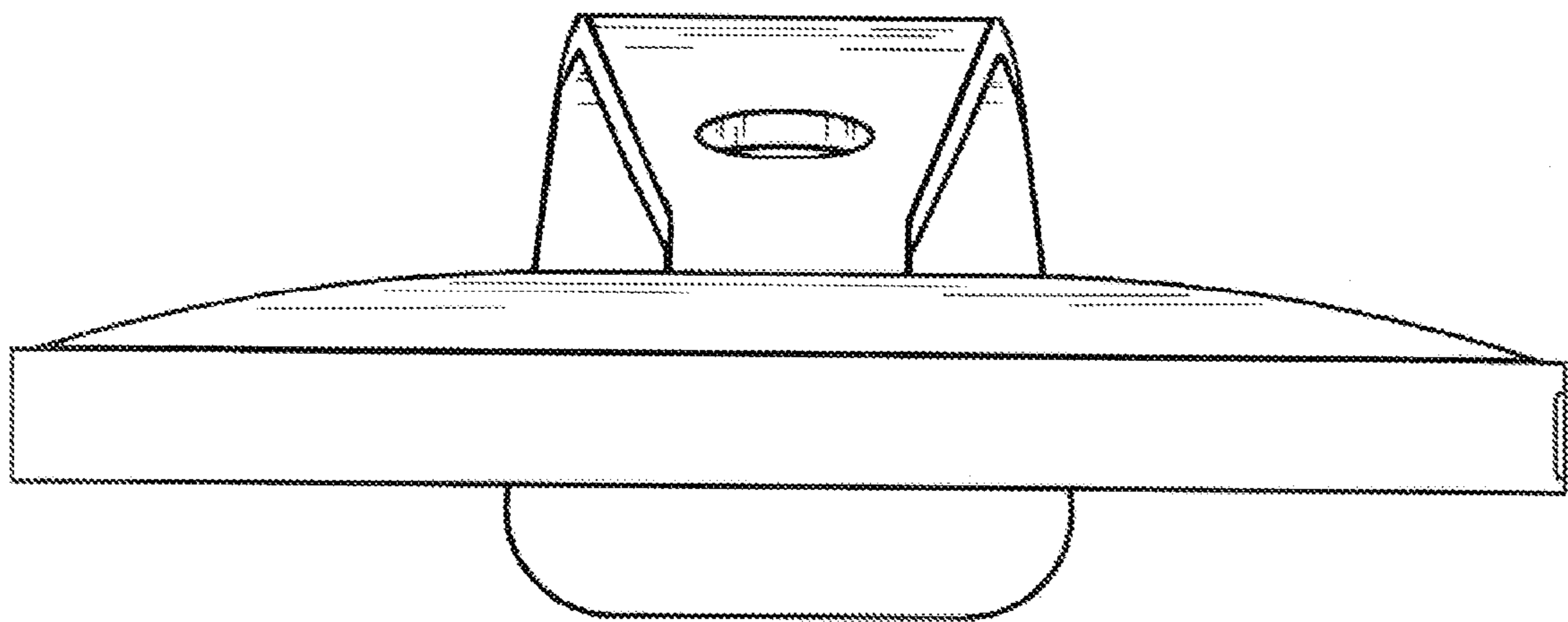


FIG. 6

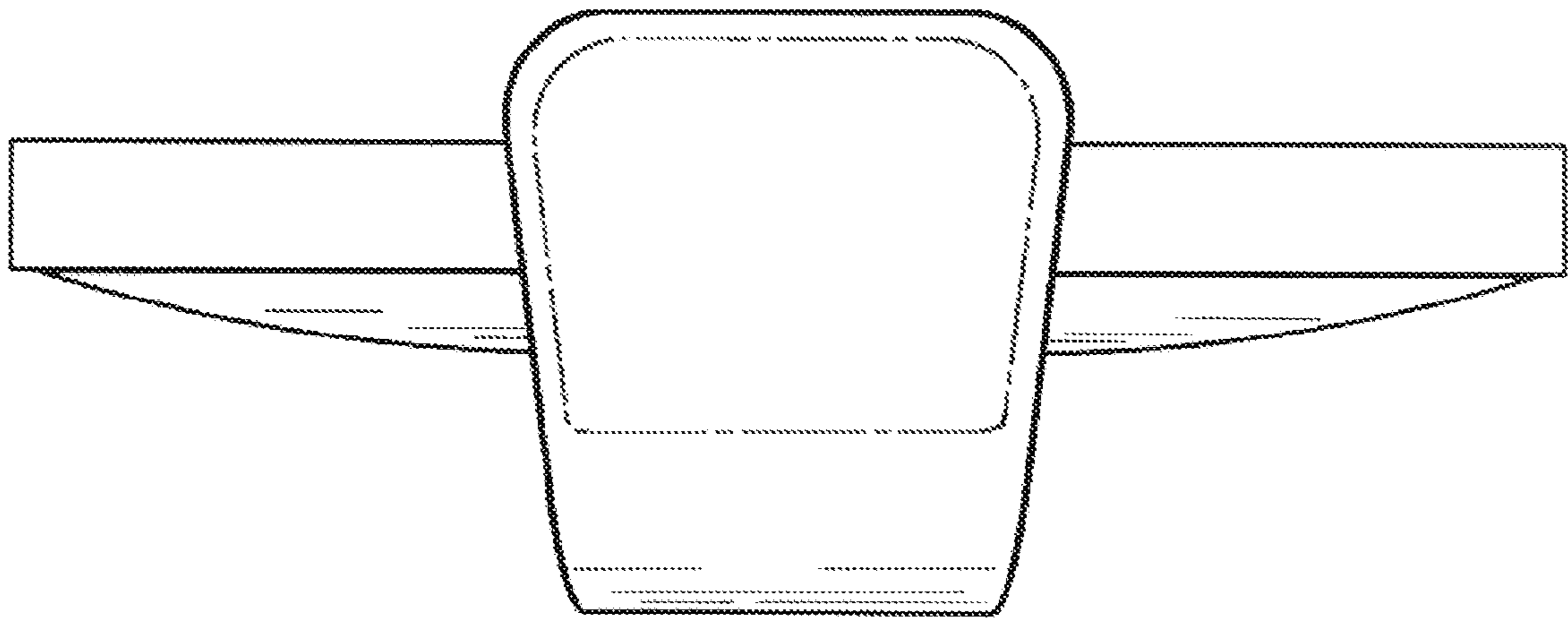


FIG. 7

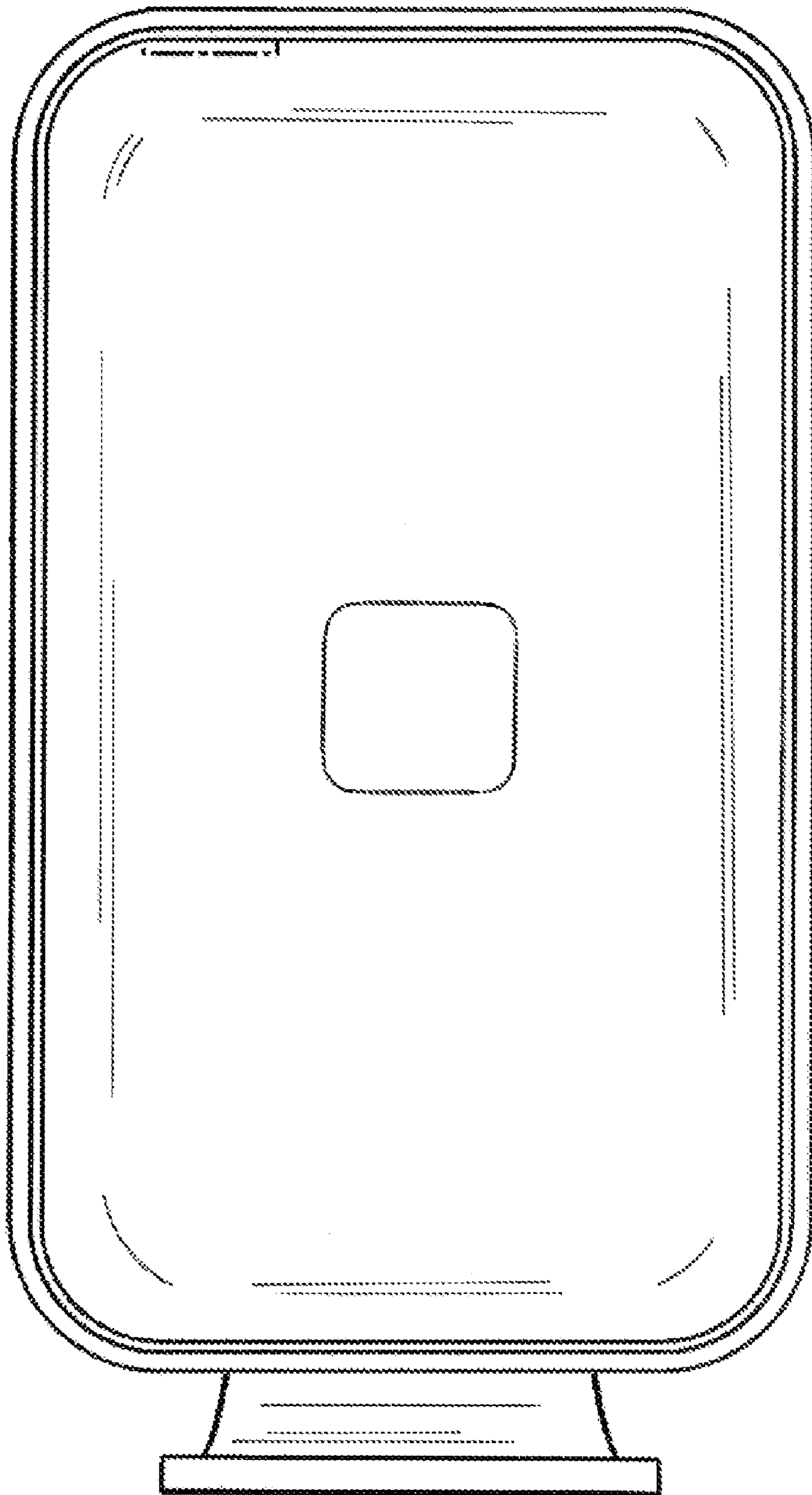


FIG. 8