



US00D602911S

(12) **United States Design Patent**
Wang et al.

(10) **Patent No.:** **US D602,911 S**

(45) **Date of Patent:** **** Oct. 27, 2009**

(54) **SPEAKER**

(75) Inventors: **Bowman Wang**, Ben Lomond, CA (US);
Minsung Kwon, San Jose, CA (US)

(73) Assignee: **Plantronics, Inc.**, Santa Cruz, CA (US)

(**) Term: **14 Years**

(21) Appl. No.: **29/335,715**

(22) Filed: **Apr. 20, 2009**

(51) **LOC (9) Cl.** **14-01**

(52) **U.S. Cl.** **D14/216**

(58) **Field of Classification Search** D14/204,
D14/207, 209, 209.1, 210–216, 172; 181/143–144,
181/147–148, 150–153, 157, 198–199; 381/300–303,
381/306, 332–333, 336, 345, 361–364, 386–388
See application file for complete search history.

(56) **References Cited**

U.S. PATENT DOCUMENTS

- D349,499 S * 8/1994 Collins D14/216
- D446,785 S * 8/2001 Ohta D14/216
- D521,982 S * 5/2006 Schafernak et al. D14/216
- D521,983 S * 5/2006 Kuo D14/216

- D560,209 S * 1/2008 Kim et al. D14/215
- D565,552 S * 4/2008 Yoshinaga et al. D14/216

* cited by examiner

Primary Examiner—Nanda Bondade

(74) *Attorney, Agent, or Firm*—Michael D. Rodriguez

(57) **CLAIM**

The ornamental design for a speaker, as shown and described.

DESCRIPTION

FIG. 1 is front-top-left perspective view of a speaker showing our new design;

FIG. 2 is a front-bottom-right perspective view thereof;

FIG. 3 is a back view thereof;

FIG. 4 is a front view thereof;

FIG. 5 is a top view thereof;

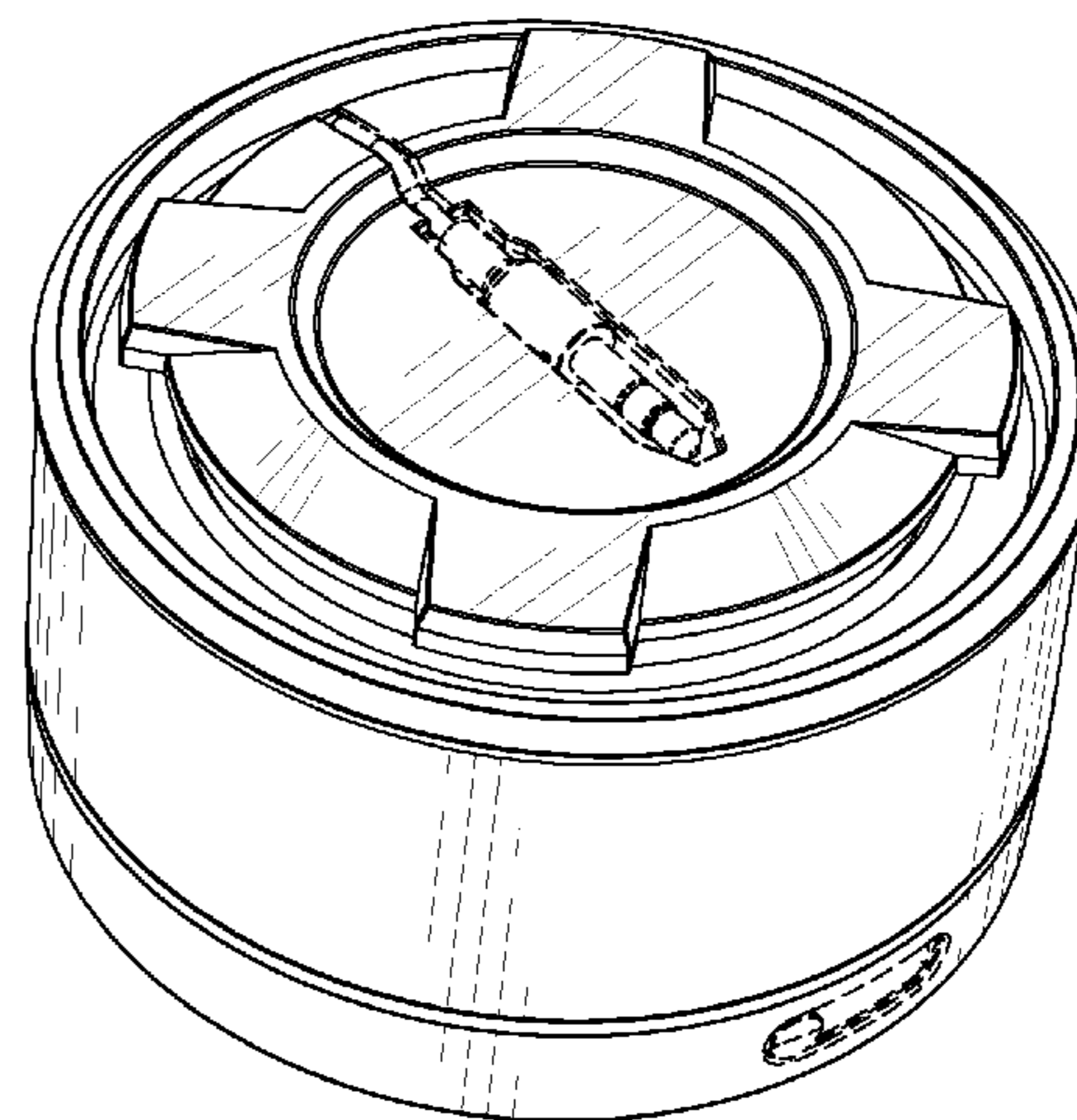
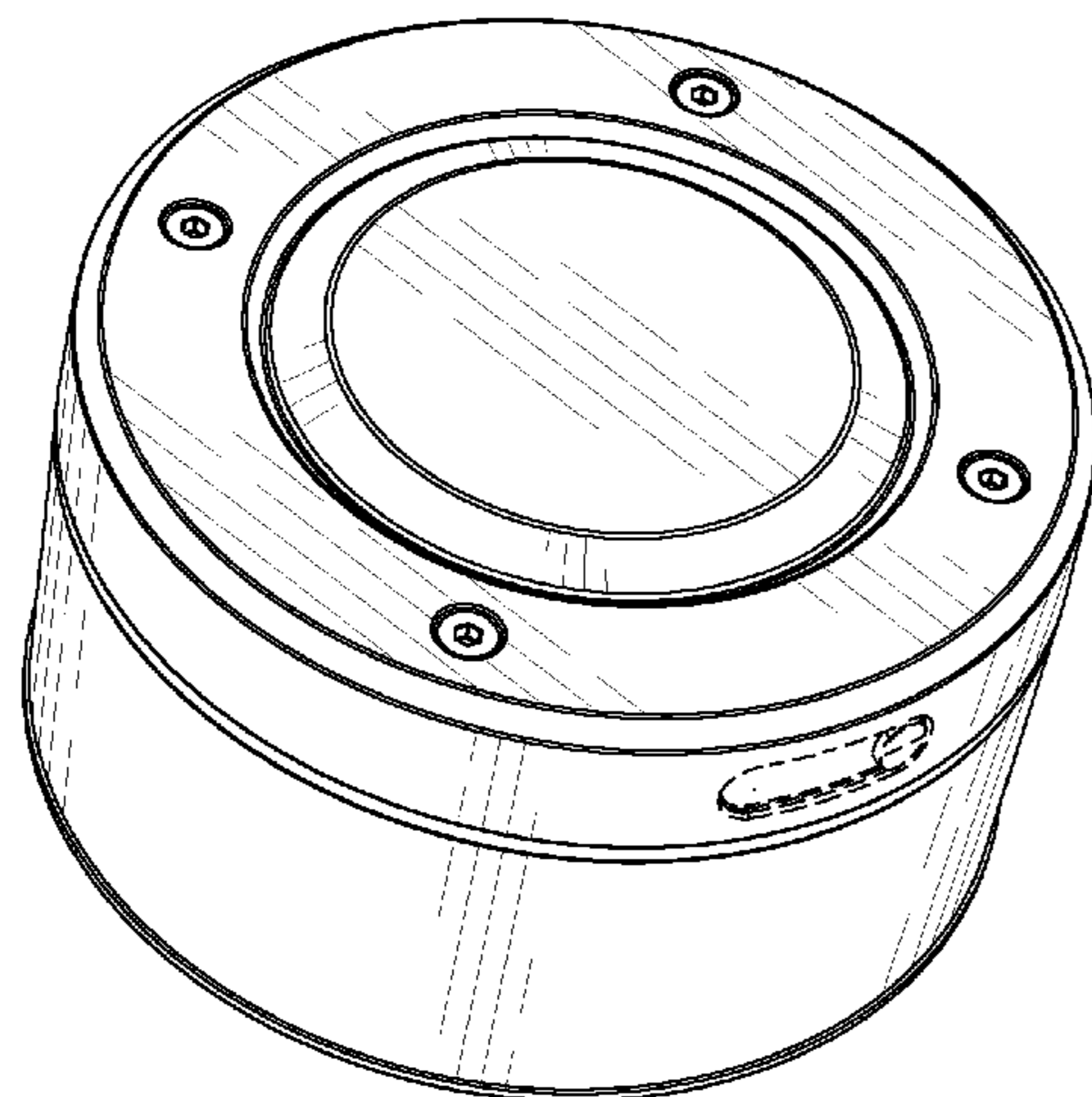
FIG. 6 is a bottom view thereof;

FIG. 7 is a left side view thereof; and,

FIG. 8 is a right side view thereof.

The broken lines showing of the unclaimed environment forms no part of the claimed design.

1 Claim, 4 Drawing Sheets



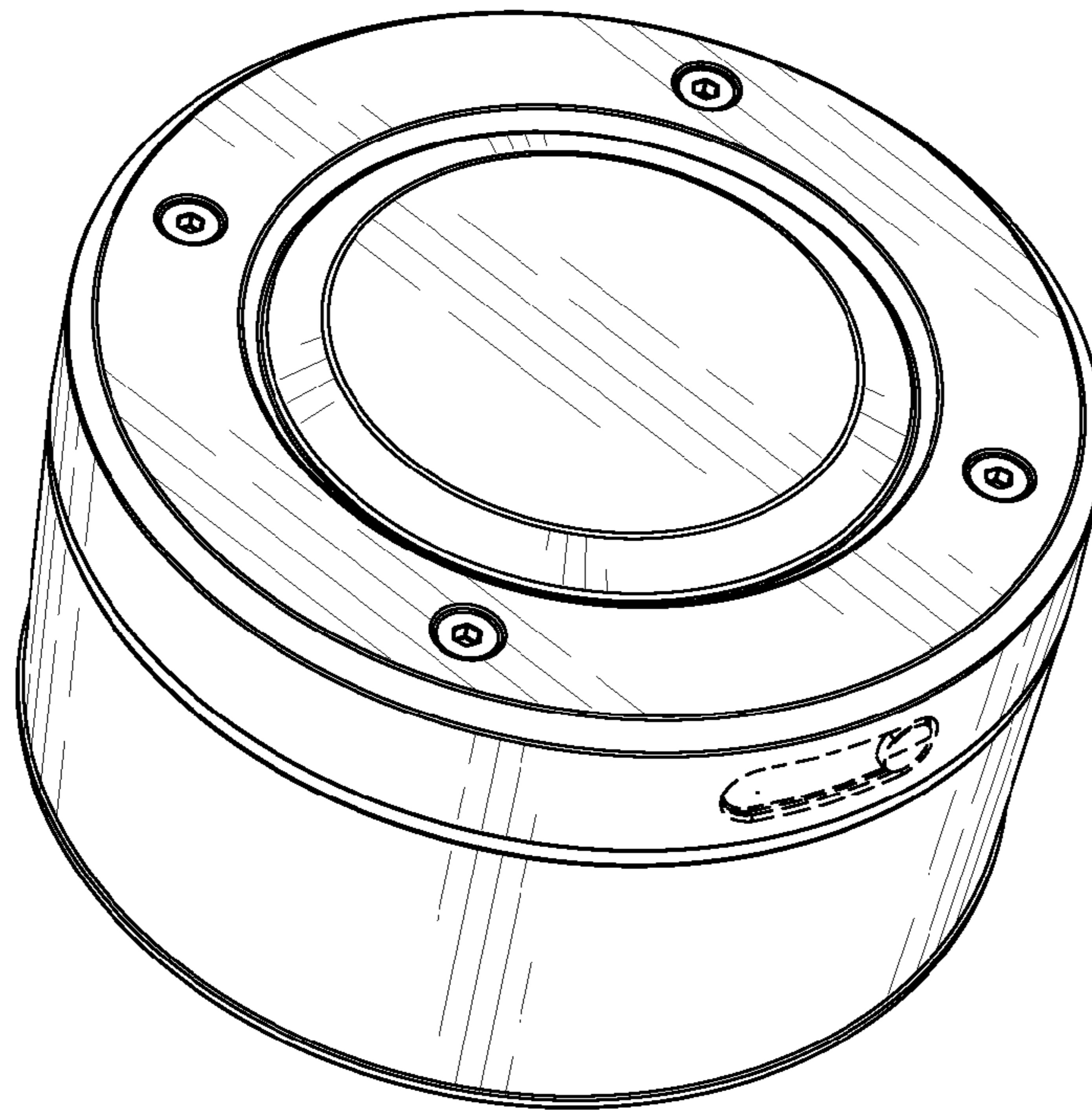


FIG. 1

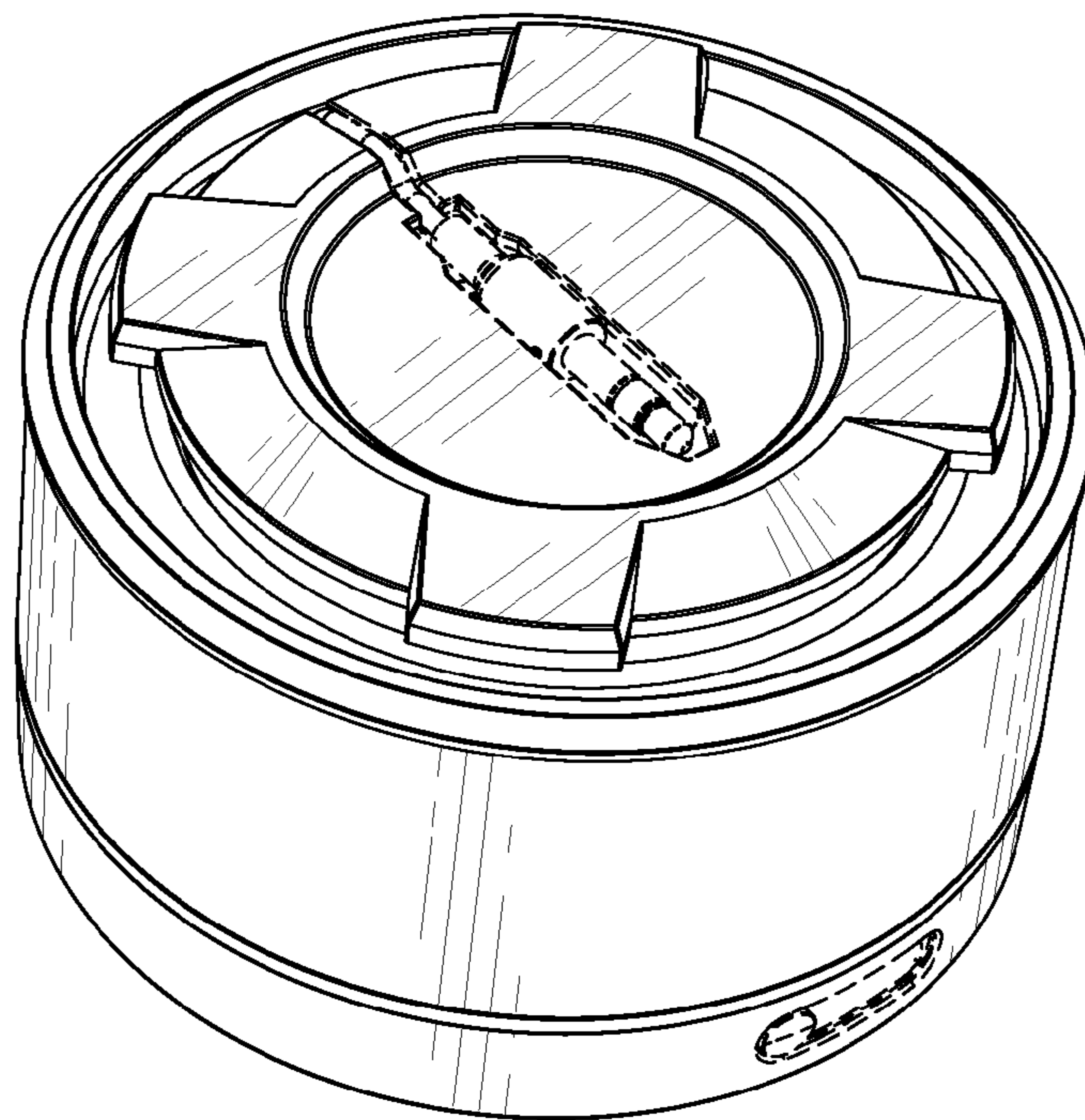


FIG. 2

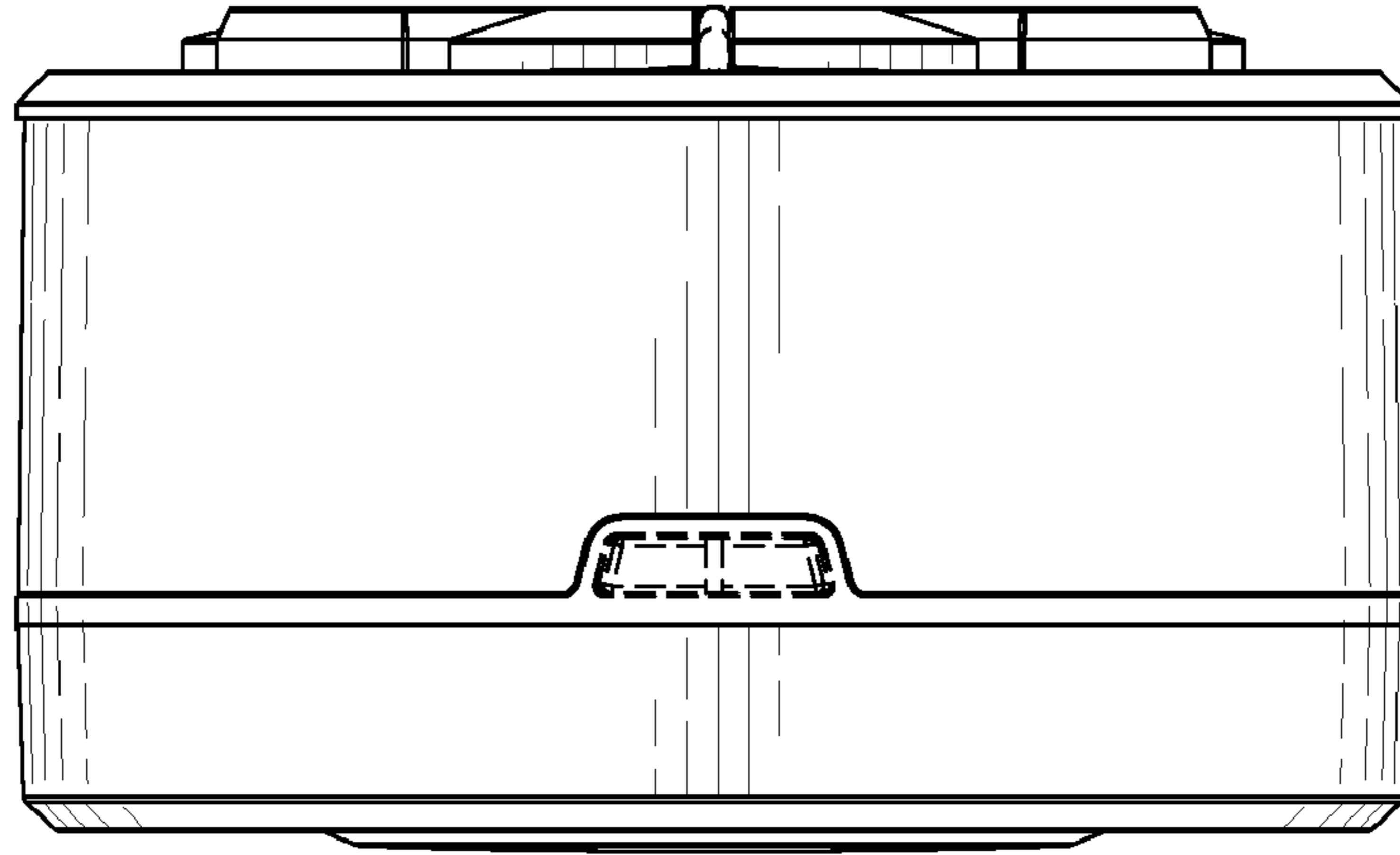


FIG. 3

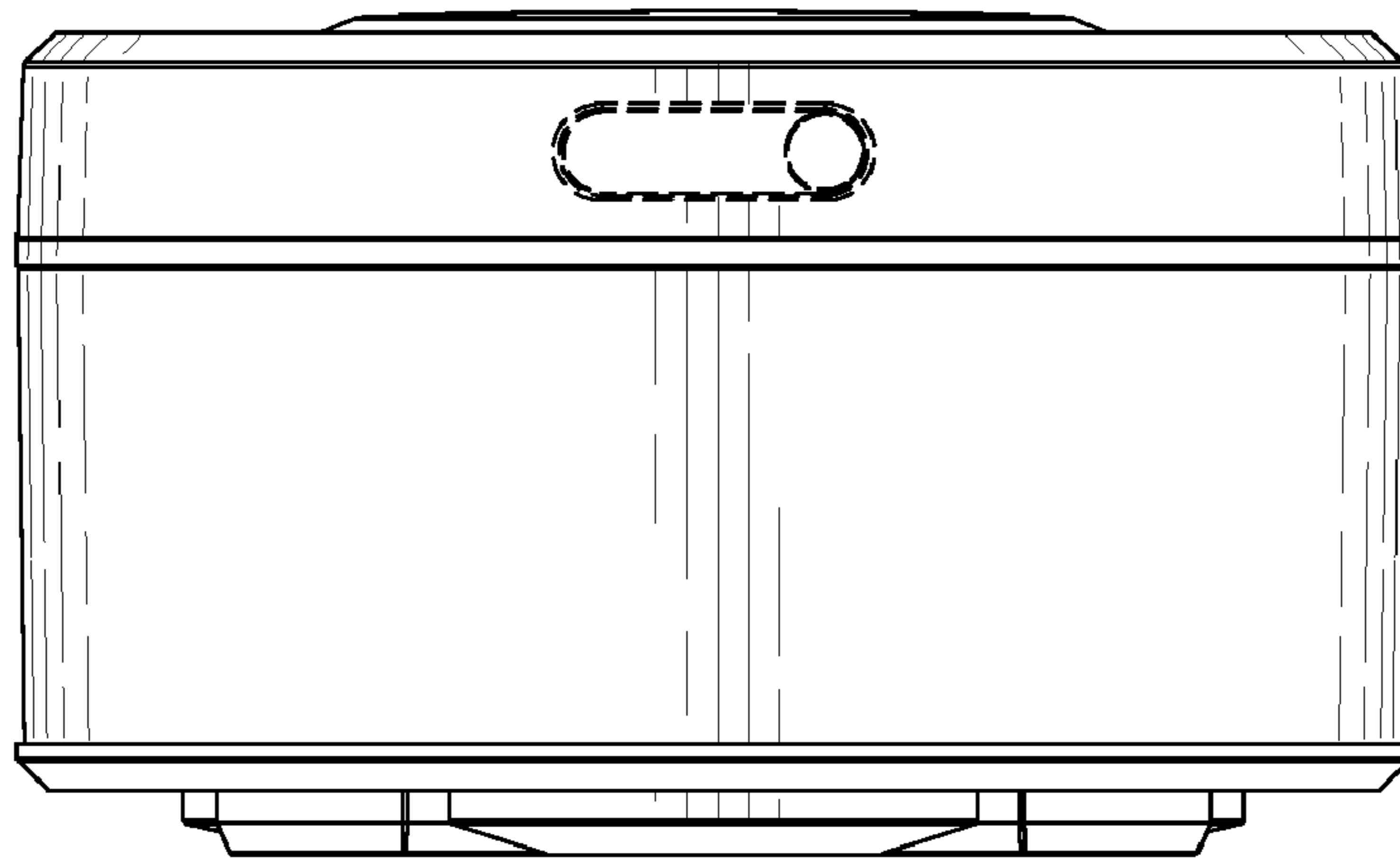


FIG. 4

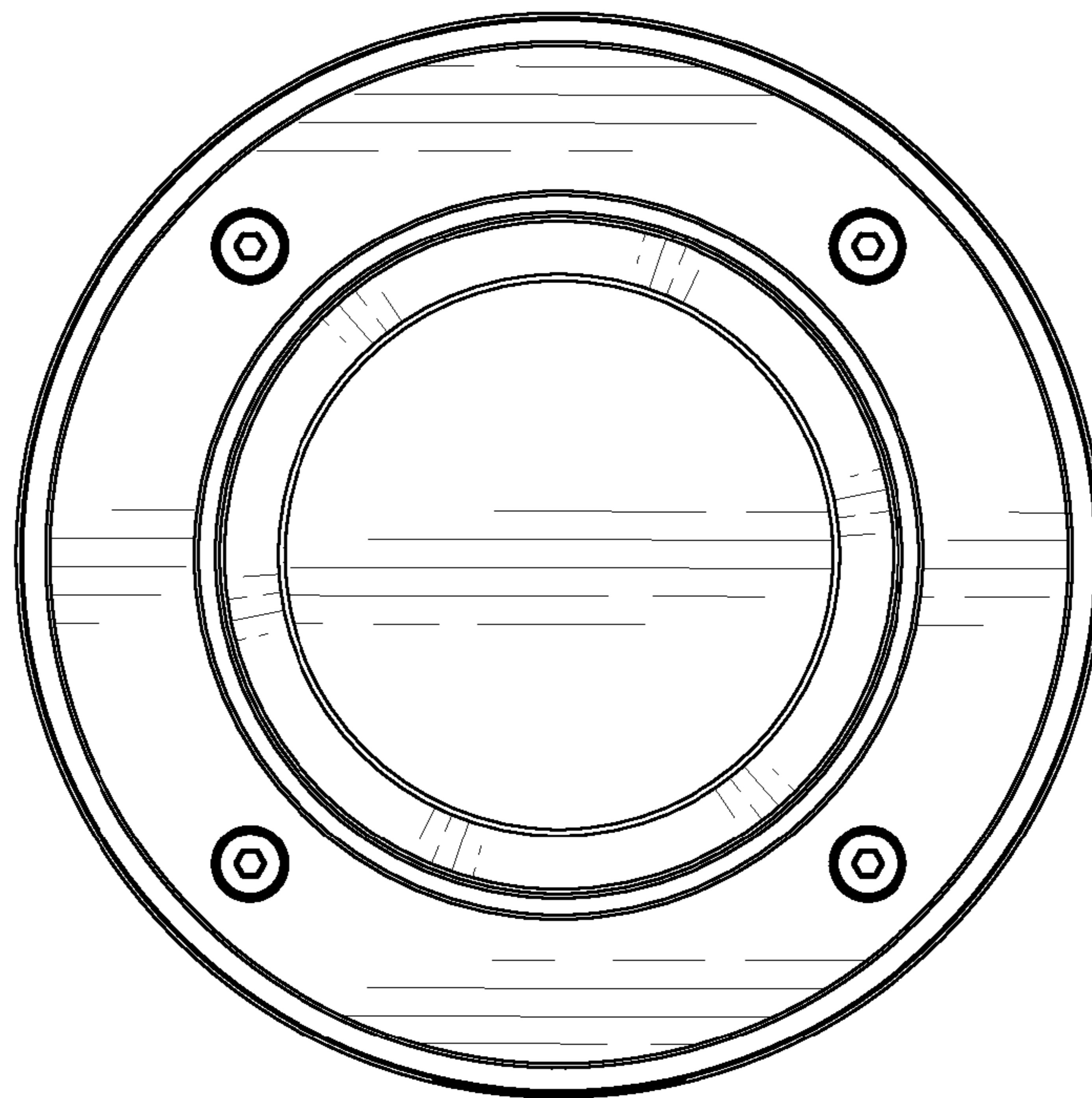


FIG. 5

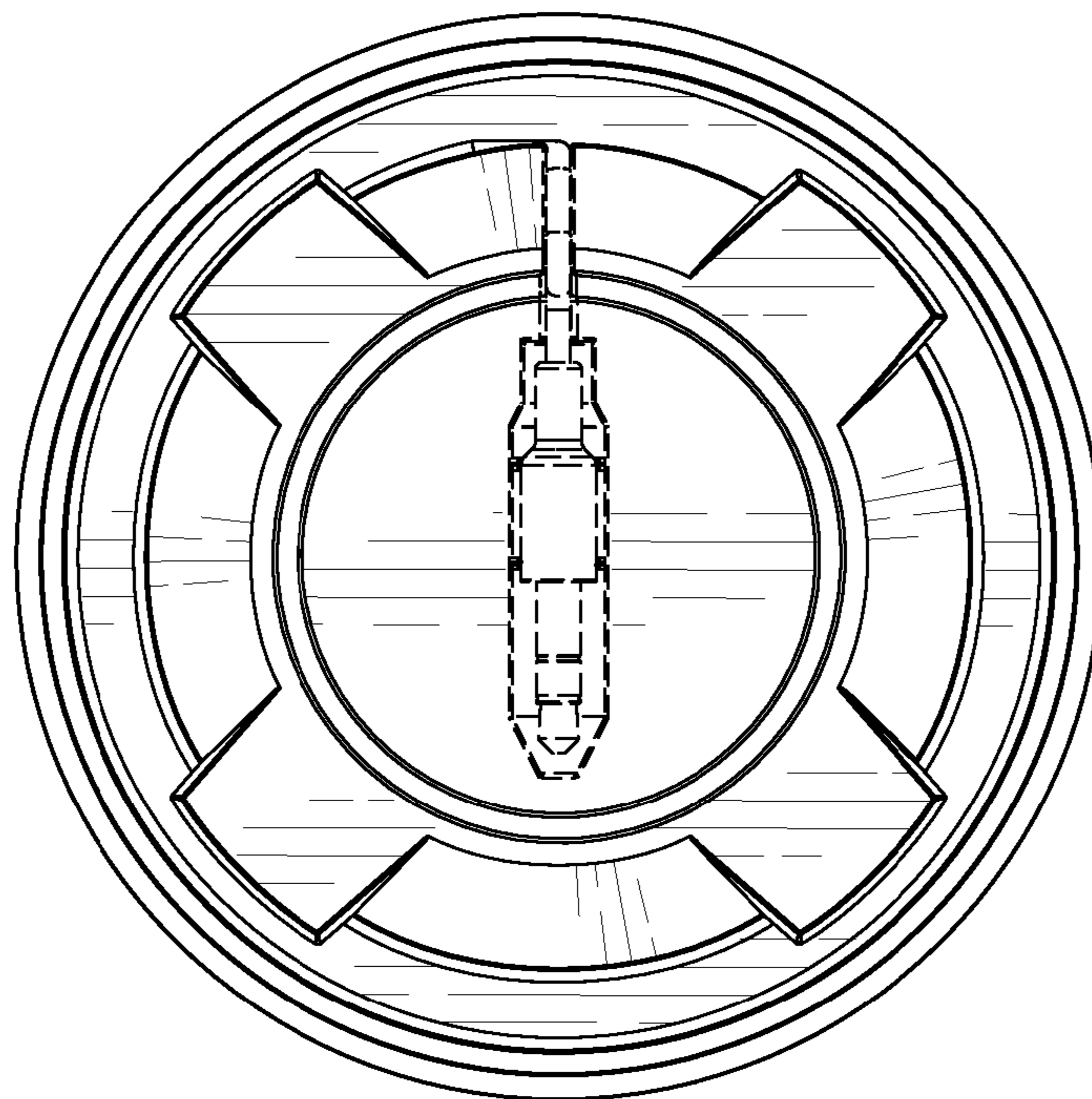


FIG. 6

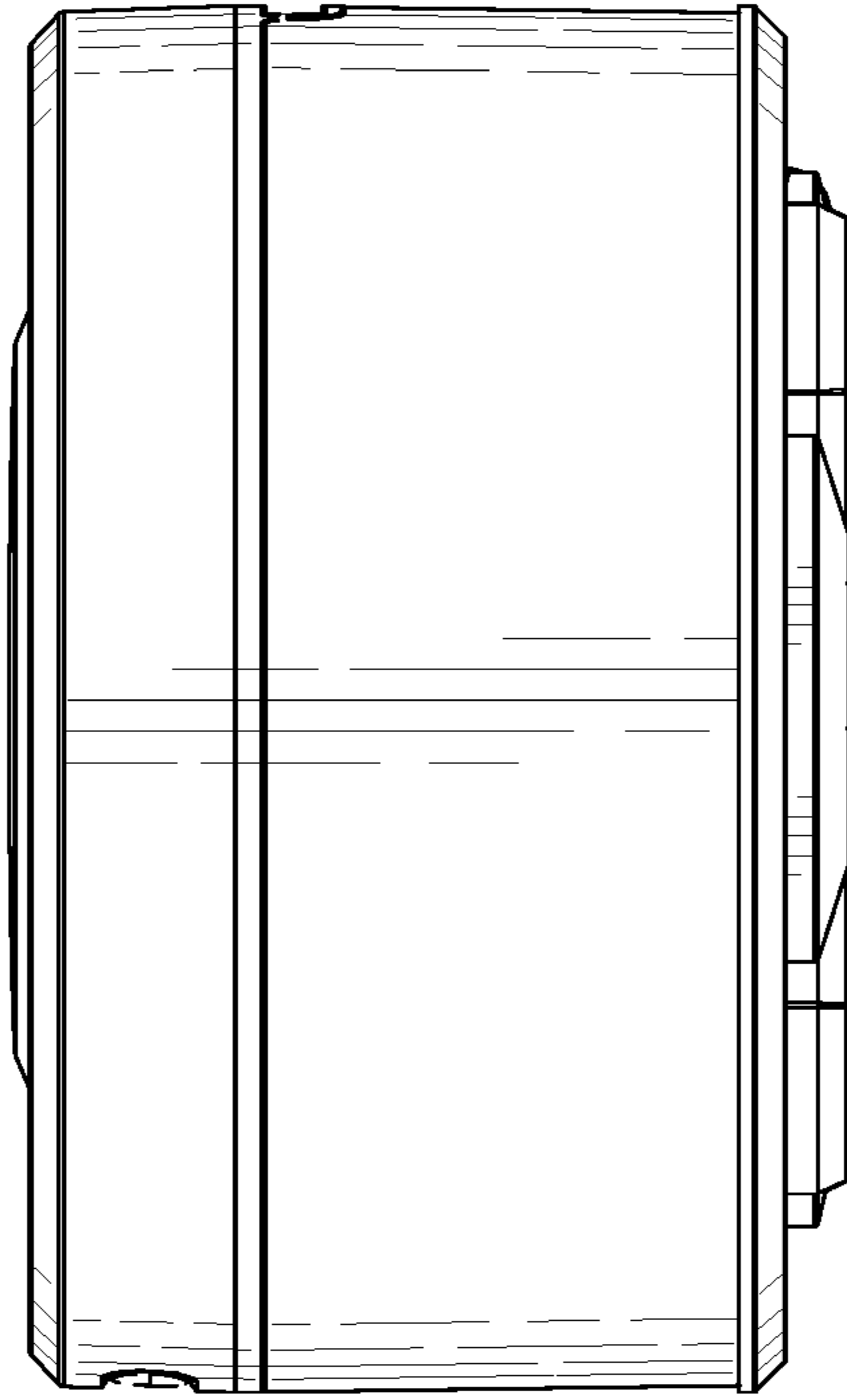


FIG. 7

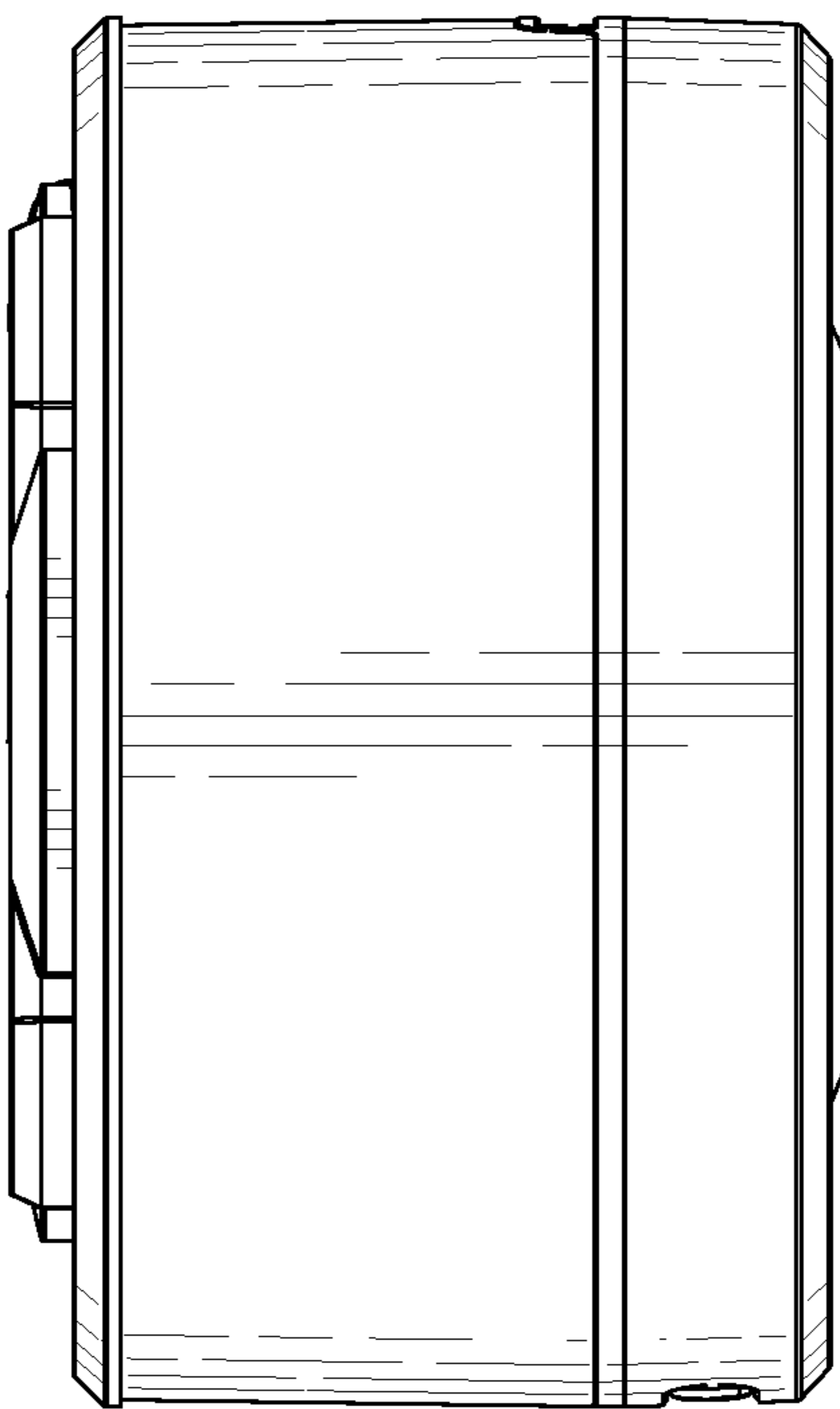


FIG. 8