



US00D602909S

(12) **United States Design Patent**
Cho

(10) **Patent No.:** **US D602,909 S**

(45) **Date of Patent:** **** Oct. 27, 2009**

(54) **LOUDSPEAKER**

(75) Inventor: **Mei San Gigi Cho**, Singapore (SG)

(73) Assignee: **Creative Technology Ltd**, Singapore (SG)

(**) Term: **14 Years**

(21) Appl. No.: **29/320,355**

(22) Filed: **Jun. 25, 2008**

(51) **LOC (9) Cl.** **14-01**

(52) **U.S. Cl.** **D14/215; D14/214**

(58) **Field of Classification Search** D14/204,
D14/209–216, 162, 168, 172, 496; 181/143–144,
181/147–148, 150, 157, 198–199, 151, 153;
381/300–302, 306, 333, 345, 361–364, 386–388,
381/332, 336

See application file for complete search history.

(56) **References Cited**

U.S. PATENT DOCUMENTS

4,805,729 A * 2/1989 Wascom 181/144
D329,647 S * 9/1992 Frank D14/215
D394,861 S * 6/1998 Tatsumi D14/214
D417,874 S * 12/1999 Suzuki D14/215

D507,790 S * 7/2005 Dayan D14/215
D540,779 S * 4/2007 Joseph D14/211
D541,790 S * 5/2007 Yoon D14/215

* cited by examiner

Primary Examiner—Nanda Bondade

(74) *Attorney, Agent, or Firm*—Kennedy Koblin

(57) **CLAIM**

The ornamental design for a loudspeaker, substantially as shown and described.

DESCRIPTION

FIG. 1 is a front perspective view of the loudspeaker in accordance with the present design;

FIG. 2 is rear perspective view of the loudspeaker shown in FIG. 1;

FIG. 3 is a front view of the loudspeaker shown in FIG. 1;

FIG. 4 is a back view of the loudspeaker shown in FIG. 1;

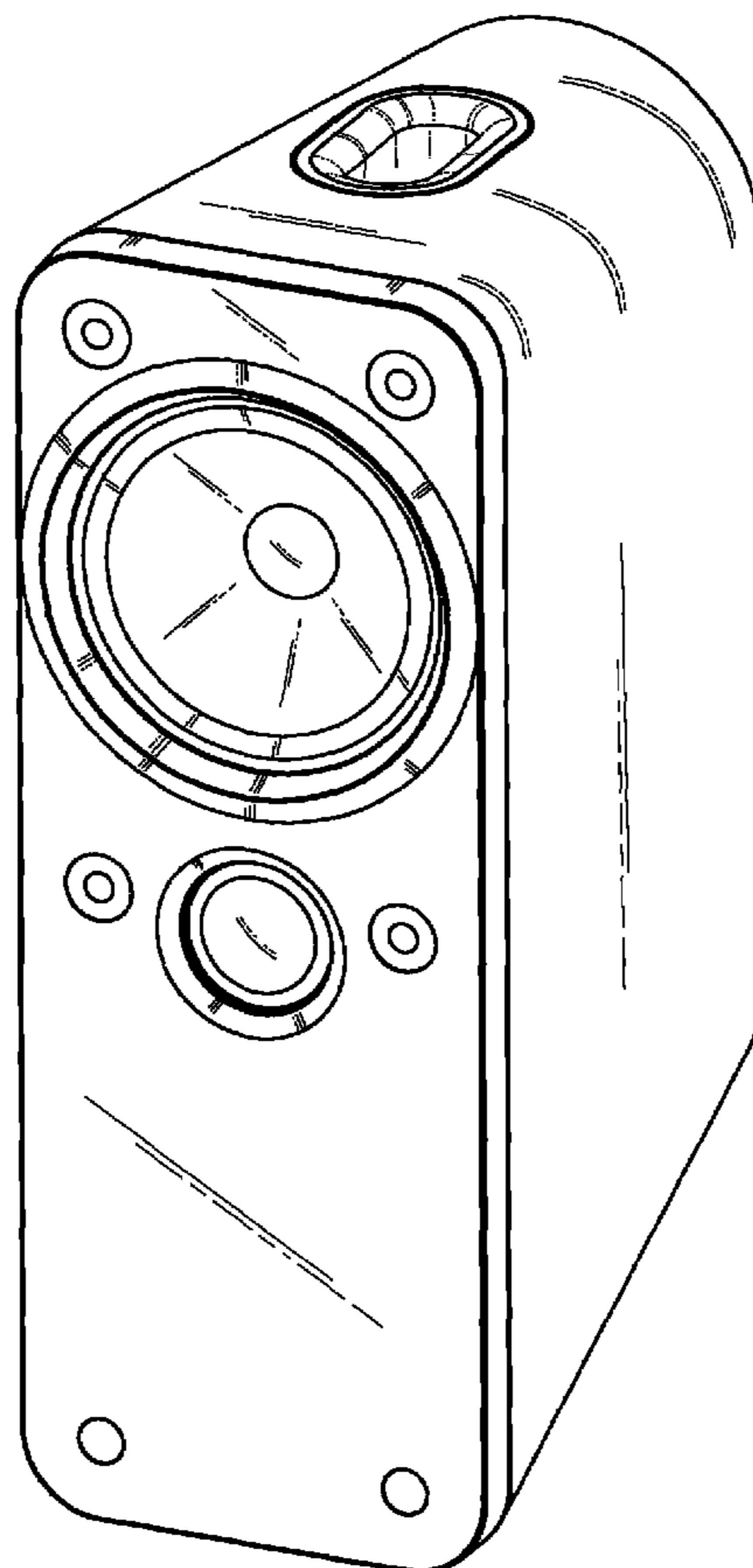
FIG. 5 is a left view of the loudspeaker shown in FIG. 1;

FIG. 6 is a right view of the loudspeaker shown in FIG. 1;

FIG. 7 is a top view of the loudspeaker shown in FIG. 1; and,

FIG. 8 is a bottom view of the loudspeaker shown in FIG. 1.

1 Claim, 4 Drawing Sheets



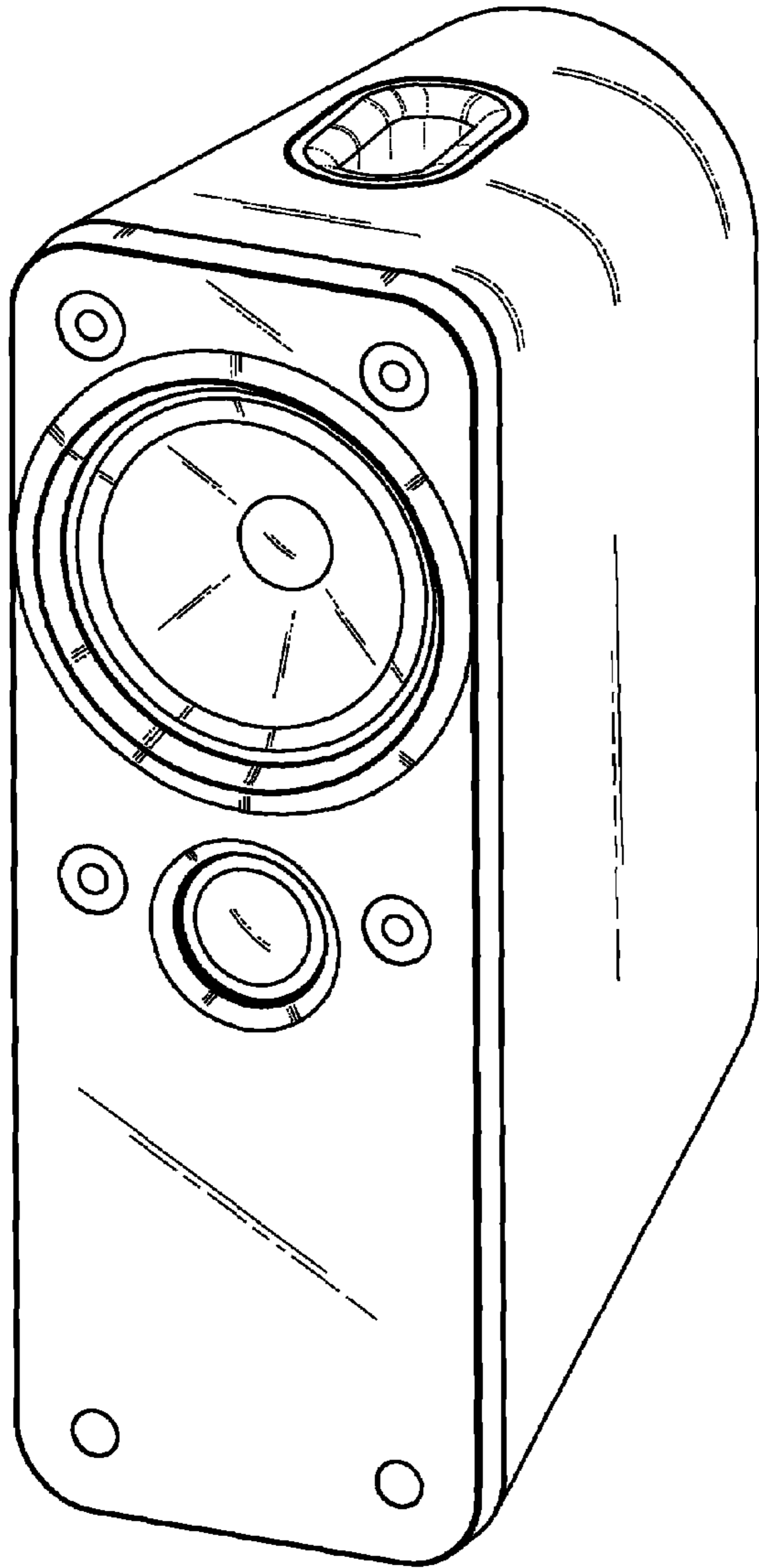


FIG. 1

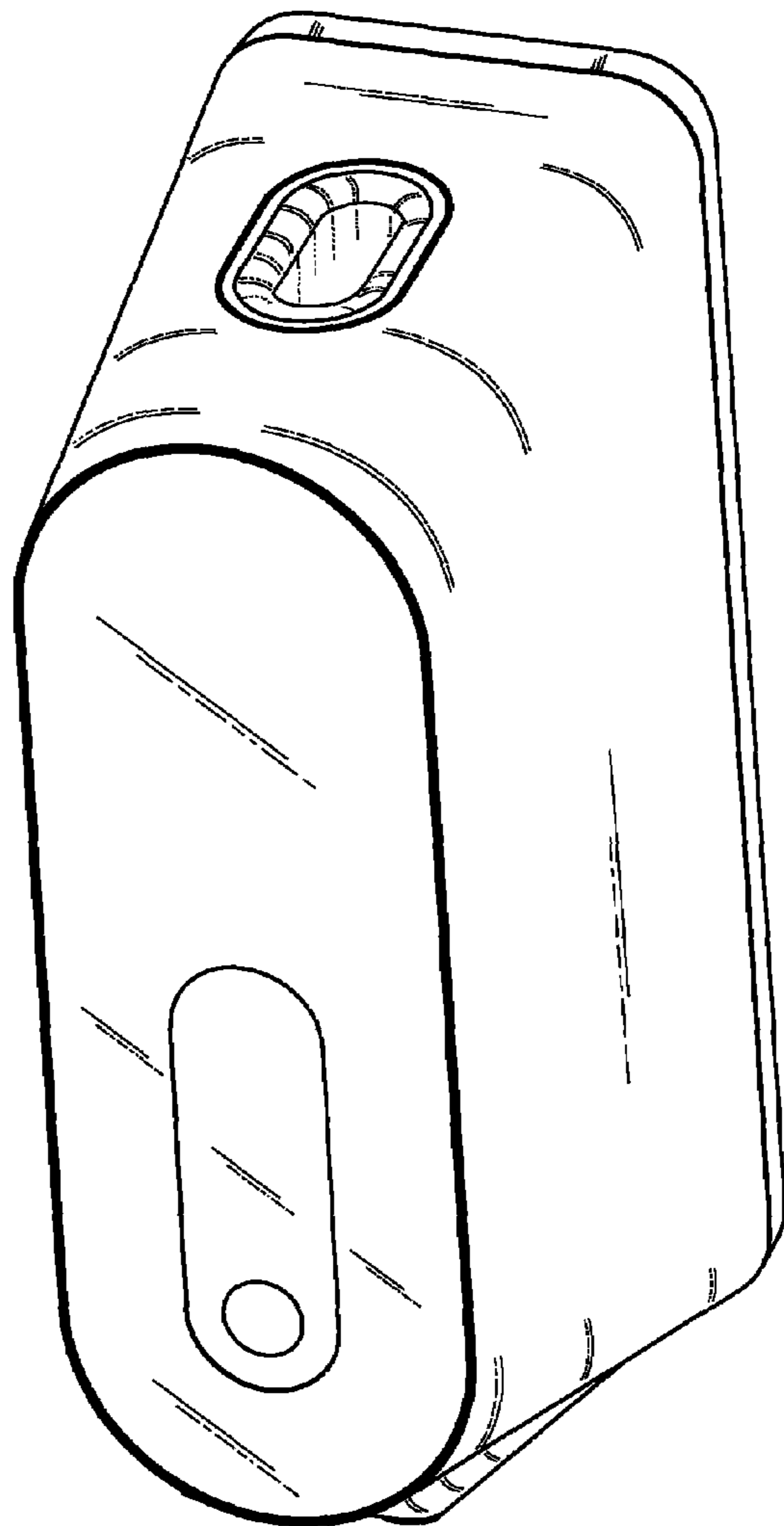


FIG. 2

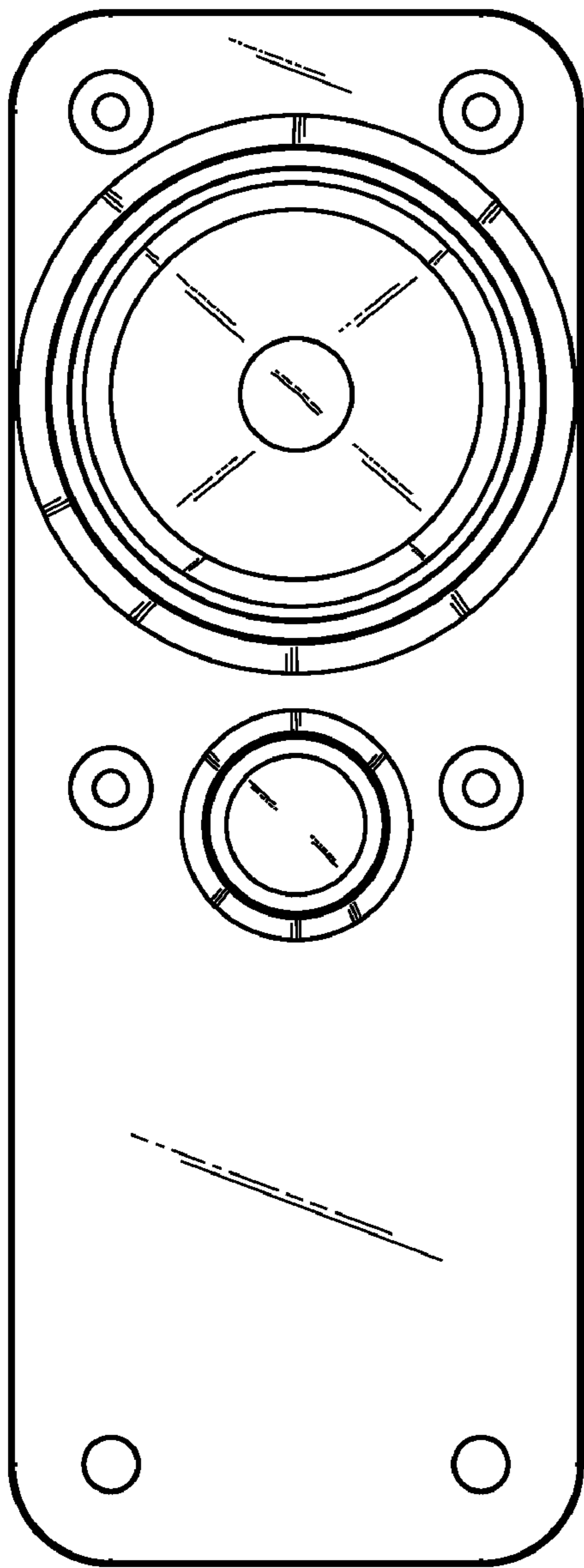


FIG. 3

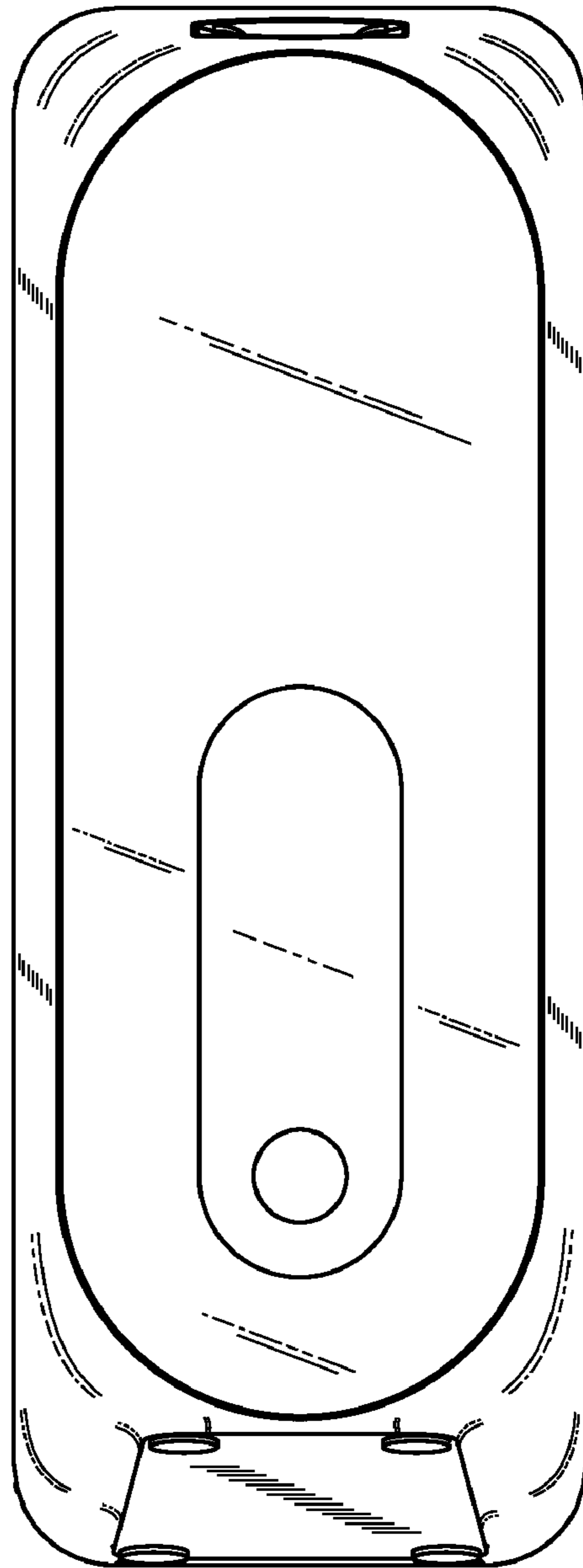


FIG. 4

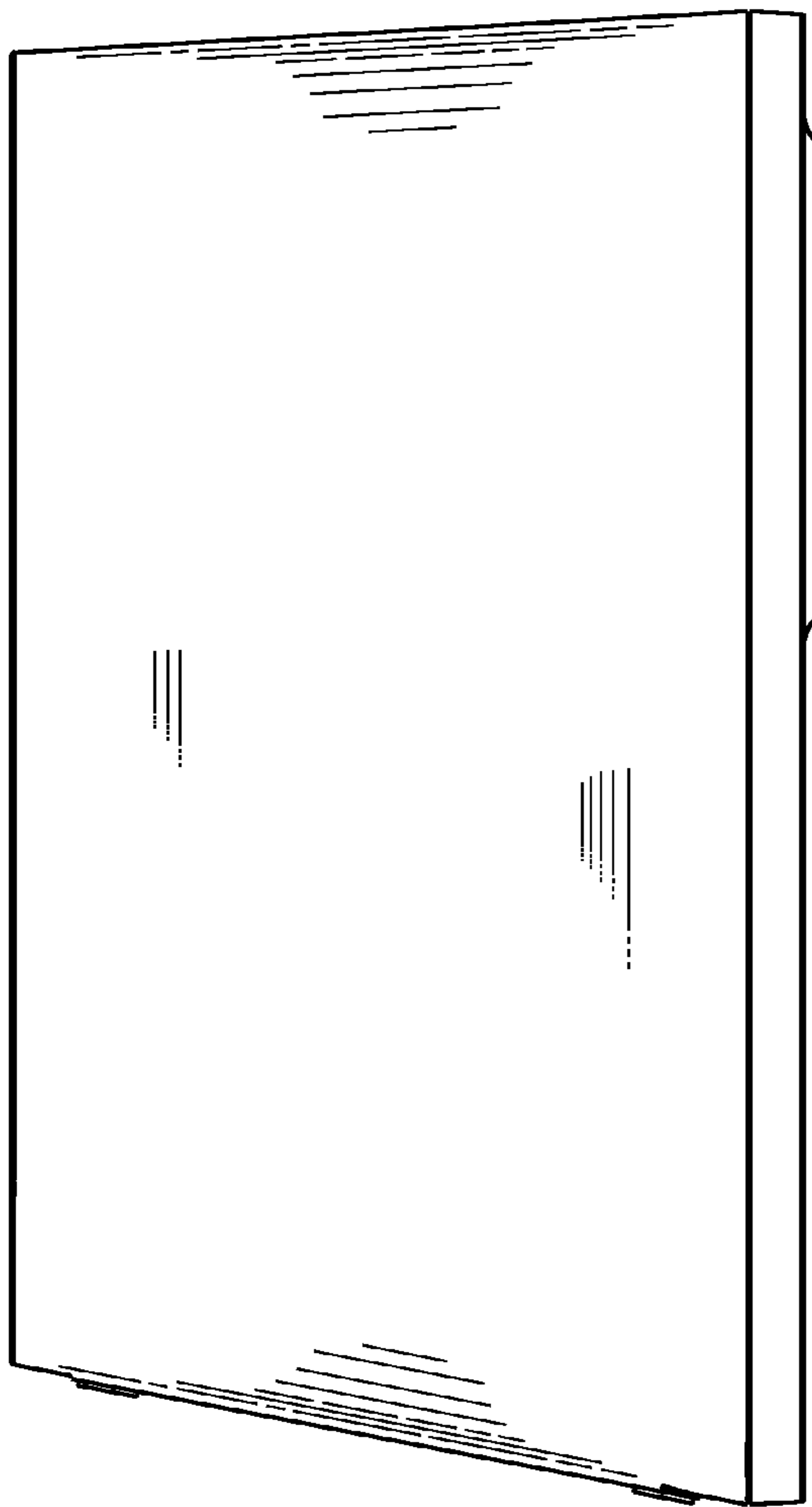


FIG. 5

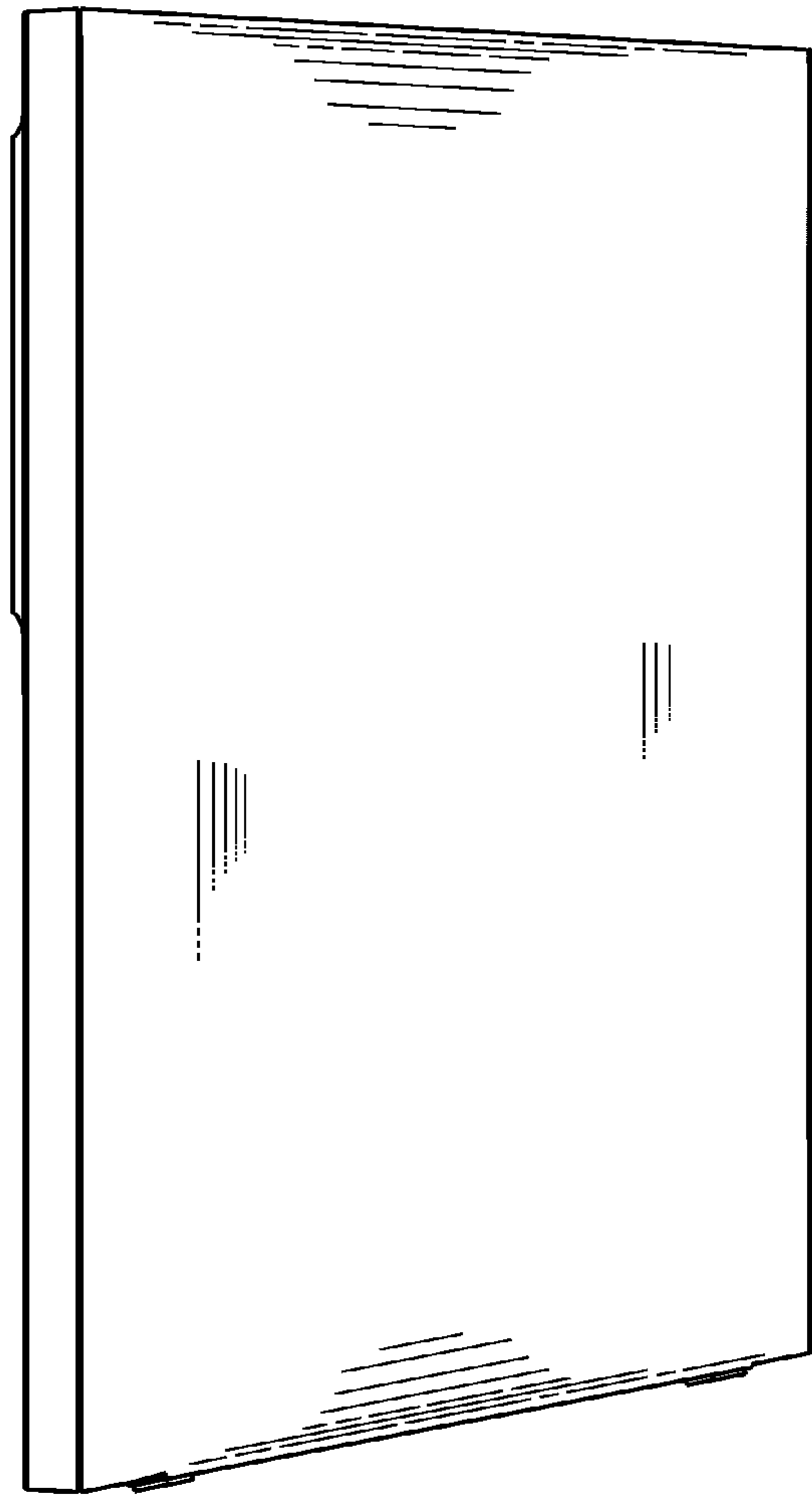


FIG. 6

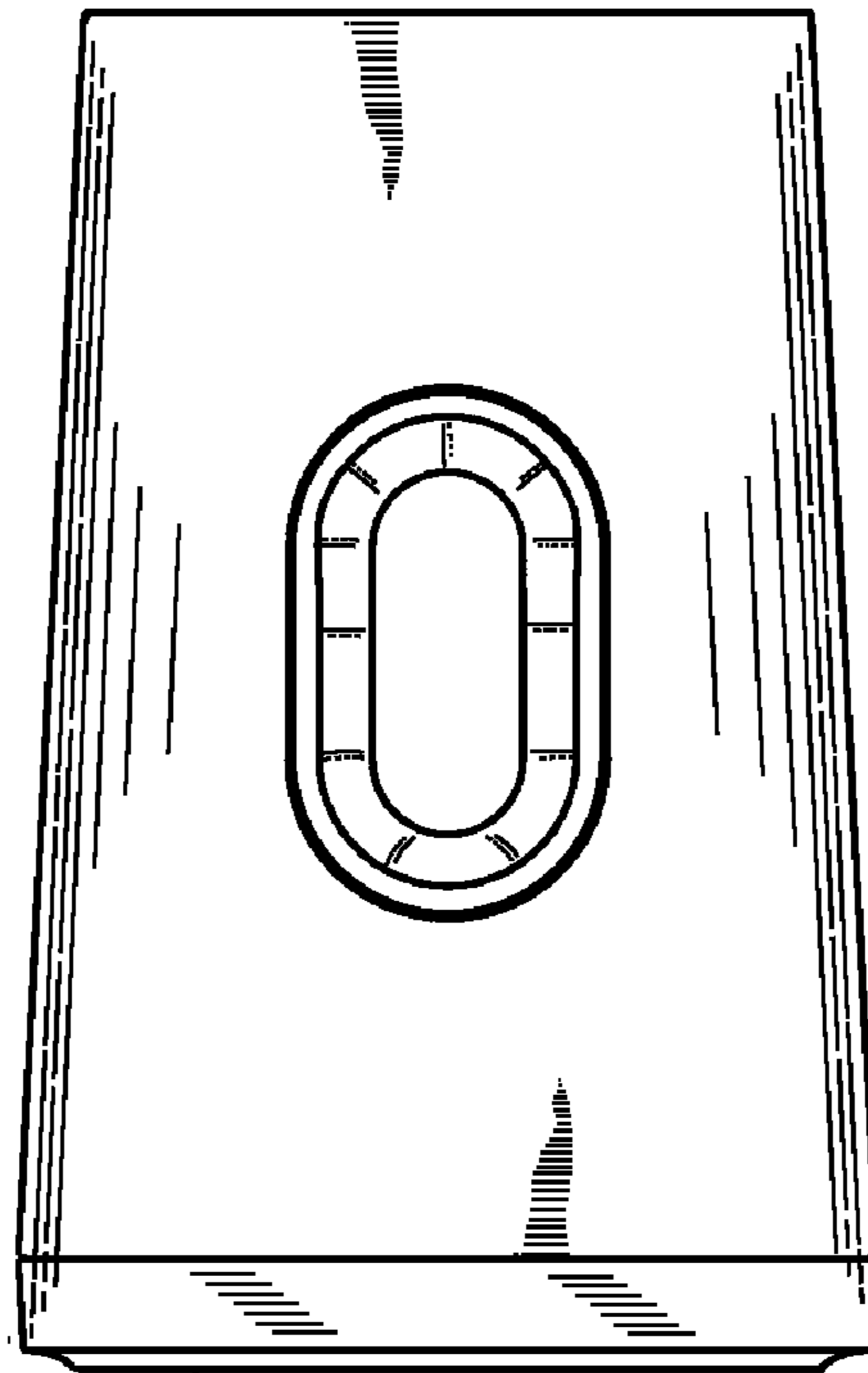


FIG. 7

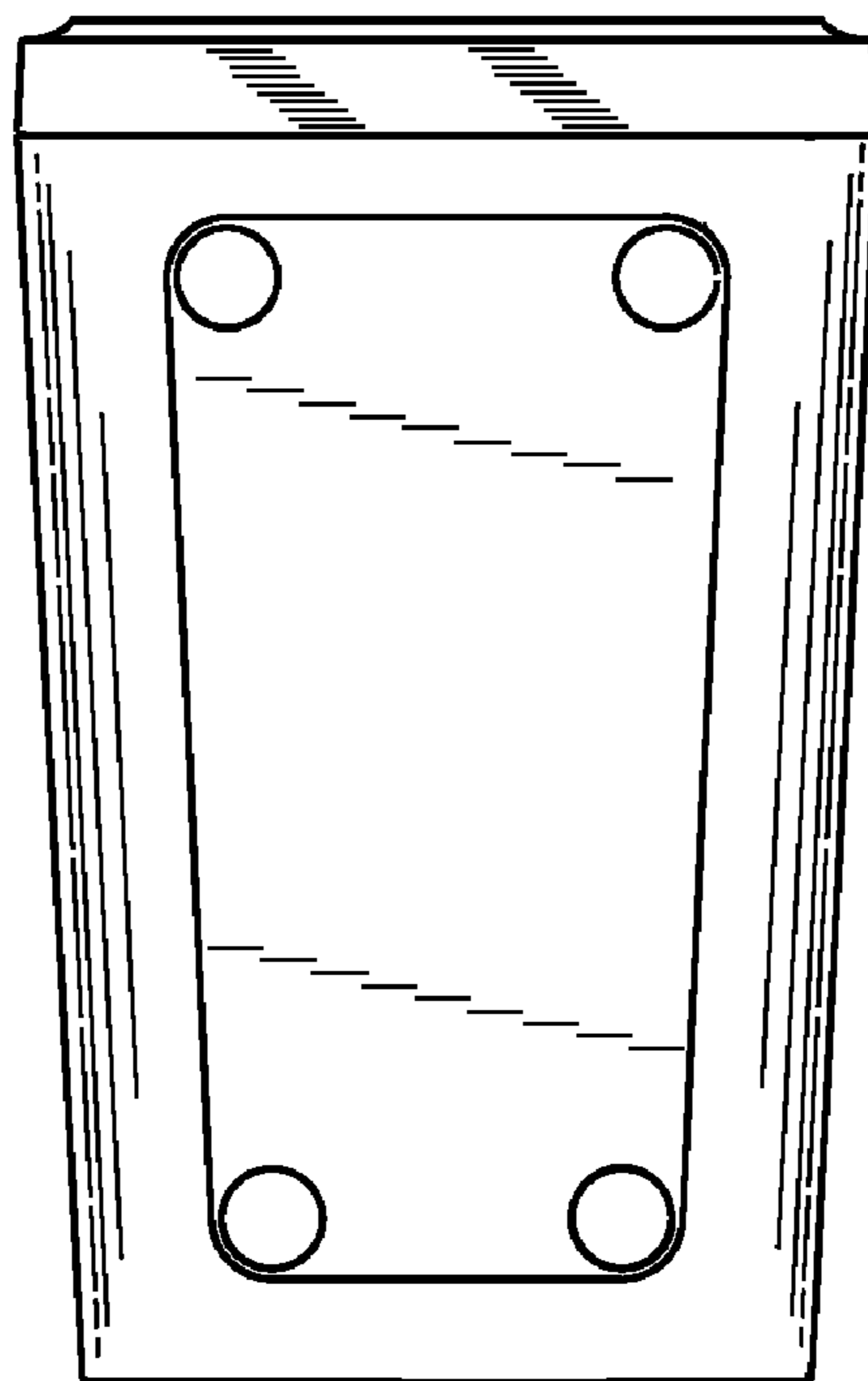


FIG. 8