



US00D602907S

(12) **United States Design Patent**
Fleischer

(10) **Patent No.:** **US D602,907 S**

(45) **Date of Patent:** **** Oct. 27, 2009**

(54) **EARPHONES**

(75) Inventor: **Dieter Fleischer**, Hannover (DE)

(73) Assignee: **Sennheiser Electronic GmbH & Co. KG**, Wedemark (DE)

(**) Term: **14 Years**

(21) Appl. No.: **29/327,153**

(22) Filed: **Oct. 31, 2008**

(30) **Foreign Application Priority Data**

May 2, 2008 (EM) 000928064

(51) **LOC (9) Cl.** **14-01**

(52) **U.S. Cl.** **D14/205**

(58) **Field of Classification Search** D14/205,
D14/206, 223; 181/129, 130; 379/430, 431,
379/433; 381/380, 381, 370, 383, 371, 372,
381/374, 376, 379; D29/112; 2/209; 128/867
See application file for complete search history.

(56) **References Cited**

U.S. PATENT DOCUMENTS

D238,184	S	*	12/1975	Obtoma	D14/205
4,689,822	A	*	8/1987	Houng	381/379
D291,690	S	*	9/1987	Tabachnik	D14/205
D318,053	S	*	7/1991	Ludeke et al.	D14/206
5,369,857	A	*	12/1994	Sacherman et al.	29/594
5,406,037	A	*	4/1995	Nageno et al.	181/129
5,574,795	A	*	11/1996	Seki	381/370
5,640,458	A	*	6/1997	Nishiguchi et al.	381/74
6,695,477	B1	*	2/2004	Nishiguchi et al.	381/74
D494,154	S	*	8/2004	Polito	D14/206
D517,045	S	*	3/2006	Komiyama	D14/205
D519,497	S	*	4/2006	Komiyama	D14/223
D532,407	S	*	11/2006	Motoishi	D14/205
D535,285	S	*	1/2007	Skulley	D14/205
D541,255	S	*	4/2007	Taylor et al.	D14/205
D549,216	S	*	8/2007	Viduya et al.	D14/206

D549,694	S	*	8/2007	Viduya et al.	D14/223
7,391,863	B2	*	6/2008	Viduya et al.	379/430
D585,871	S	*	2/2009	Lee	D14/205
D585,872	S	*	2/2009	Lee	D14/205
D588,098	S	*	3/2009	Kurihara	D14/205
D588,100	S	*	3/2009	Densho et al.	D14/205

* cited by examiner

Primary Examiner—Paula Greene

(74) *Attorney, Agent, or Firm*—Townsend and Townsend & Crew LLP

(57) **CLAIM**

The ornamental design for earphones, as shown and described.

DESCRIPTION

FIG. 1 is a perspective view of earphones according to a first embodiment of my new design;

FIG. 2 is a rear elevational view thereof;

FIG. 3 is a front elevational view thereof;

FIG. 4 is a top plan view thereof;

FIG. 5 is a bottom plan view thereof;

FIG. 6 is a left side view, thereof;

FIG. 7 is a right side view;

FIG. 8 is a perspective view of earphones according to a second embodiment of my new design;

FIG. 9 is a rear elevational view thereof;

FIG. 10 is a front elevational view thereof;

FIG. 11 is a top plan view thereof;

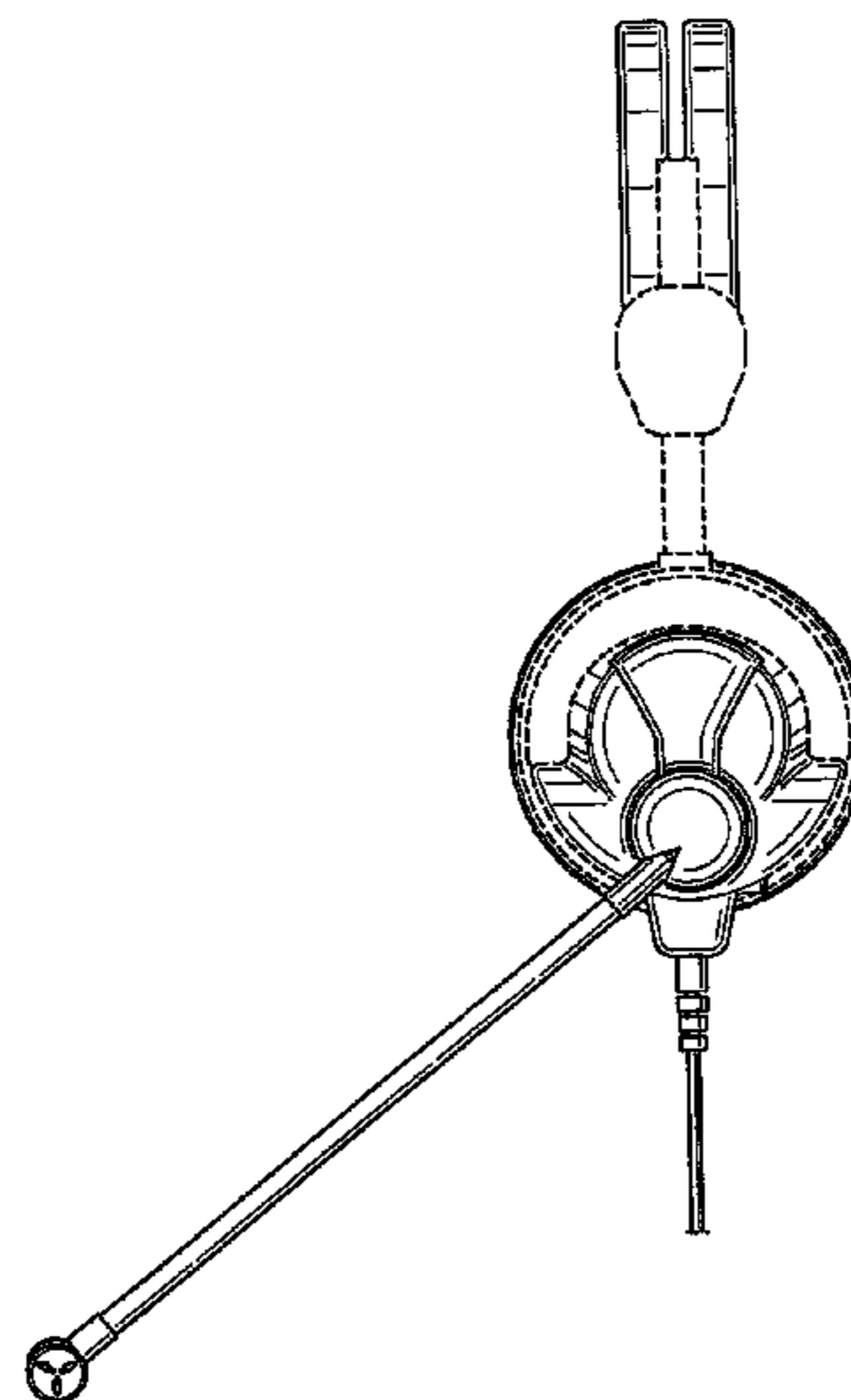
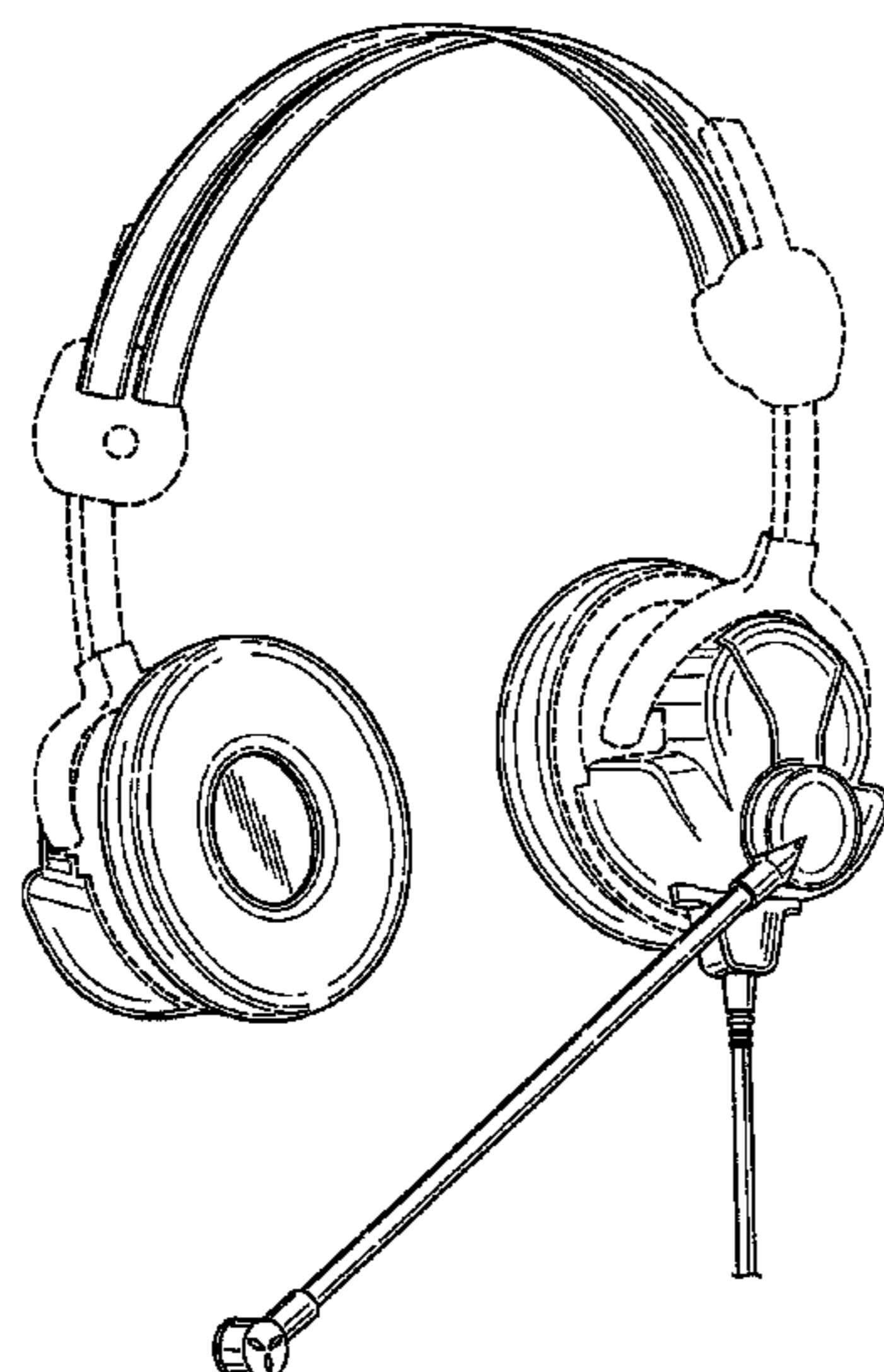
FIG. 12 is a bottom plan view thereof;

FIG. 13 is a left side view, thereof; and,

FIG. 14 is a right side view.

The broken lines shown in the drawings form no part of the claimed design.

1 Claim, 14 Drawing Sheets



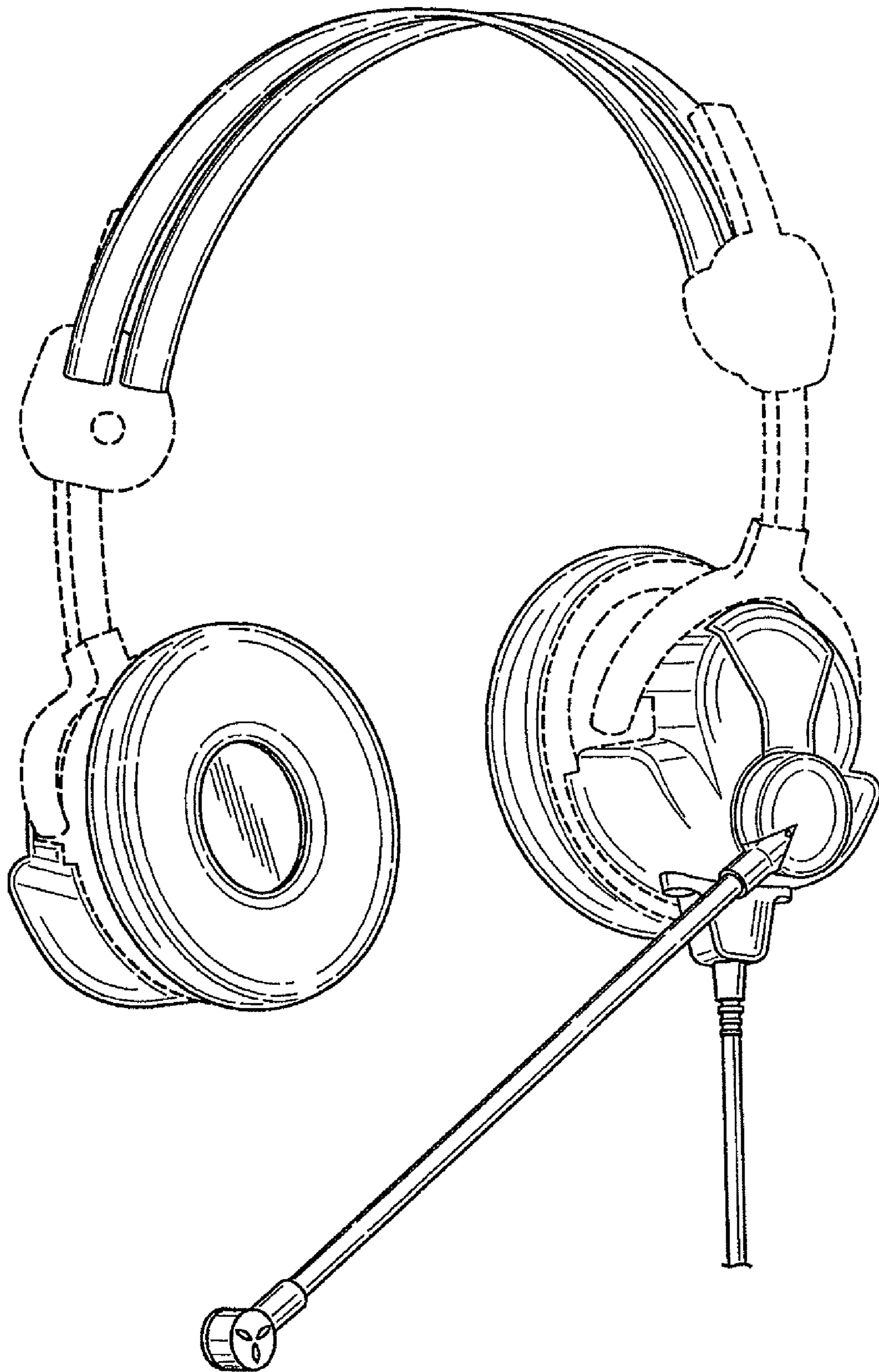


FIG. 1

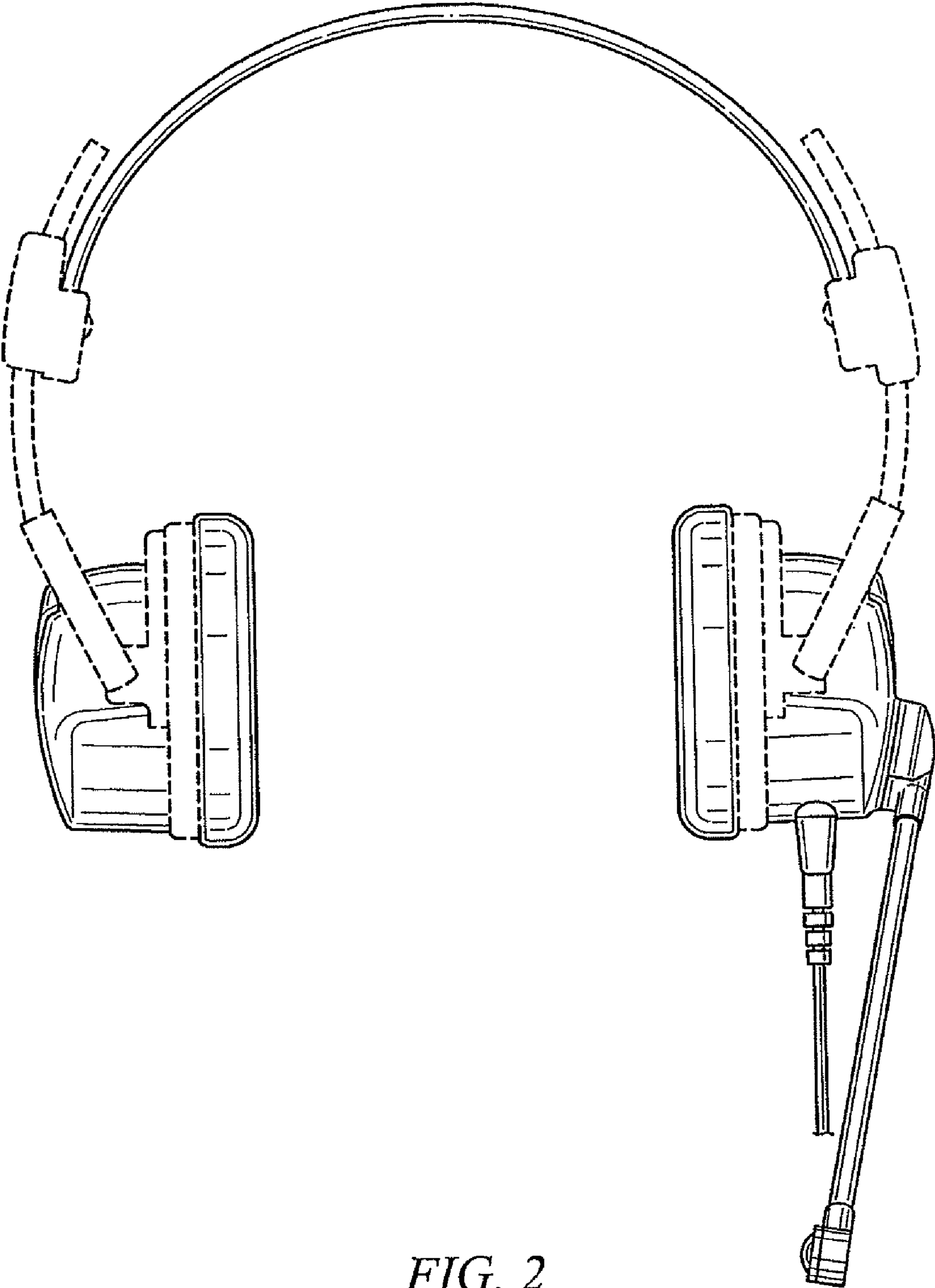


FIG. 2

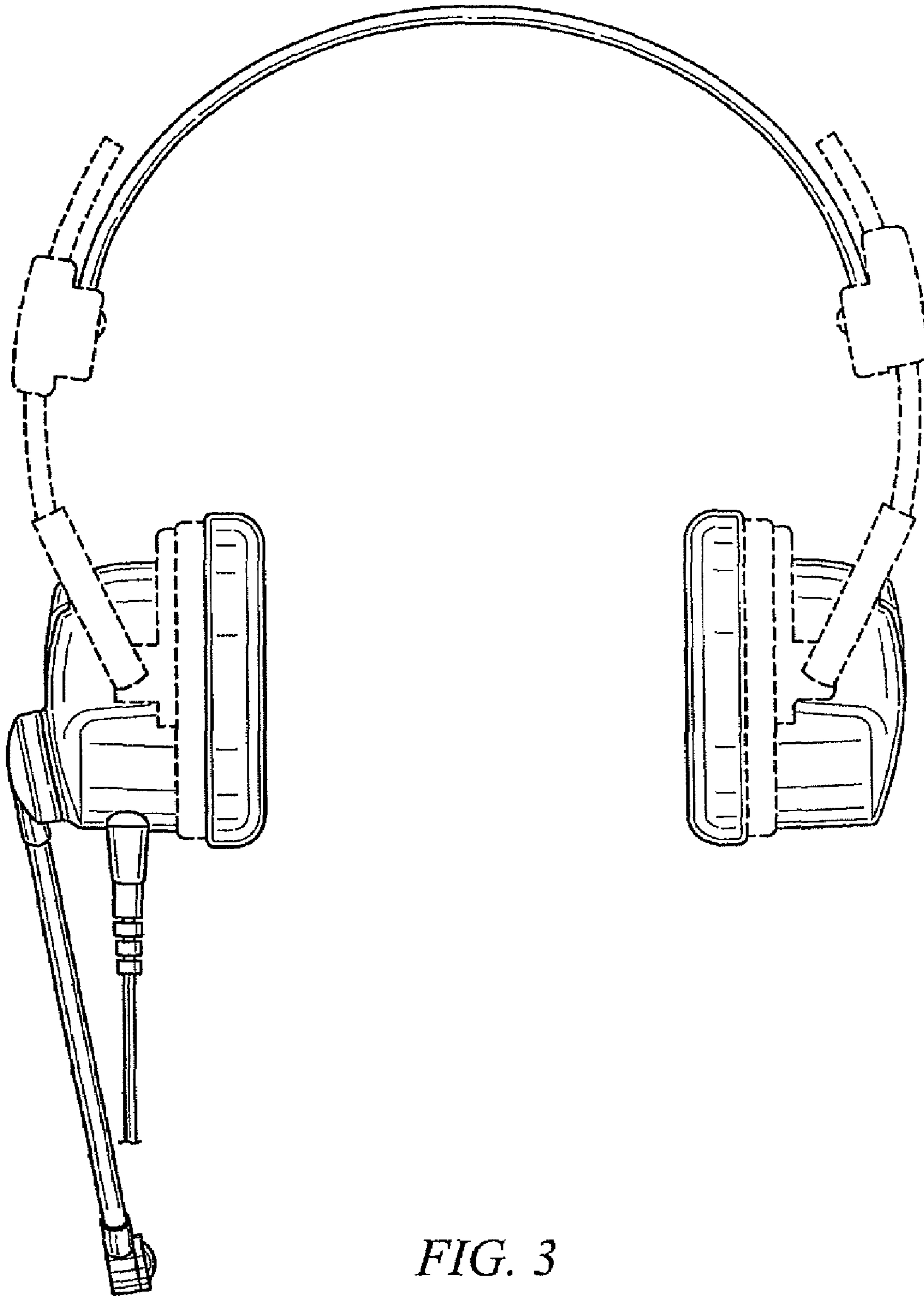


FIG. 3

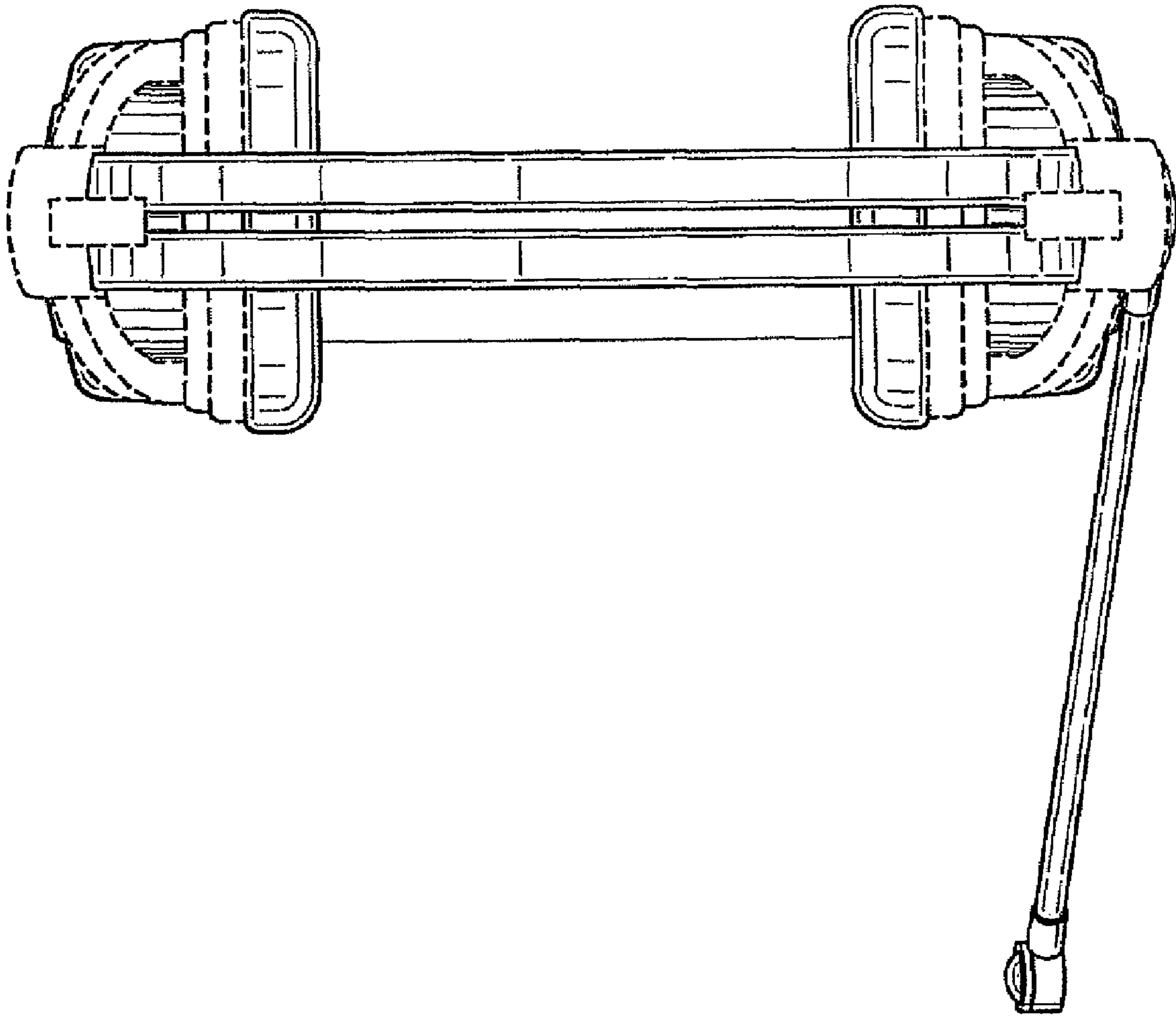


FIG. 4

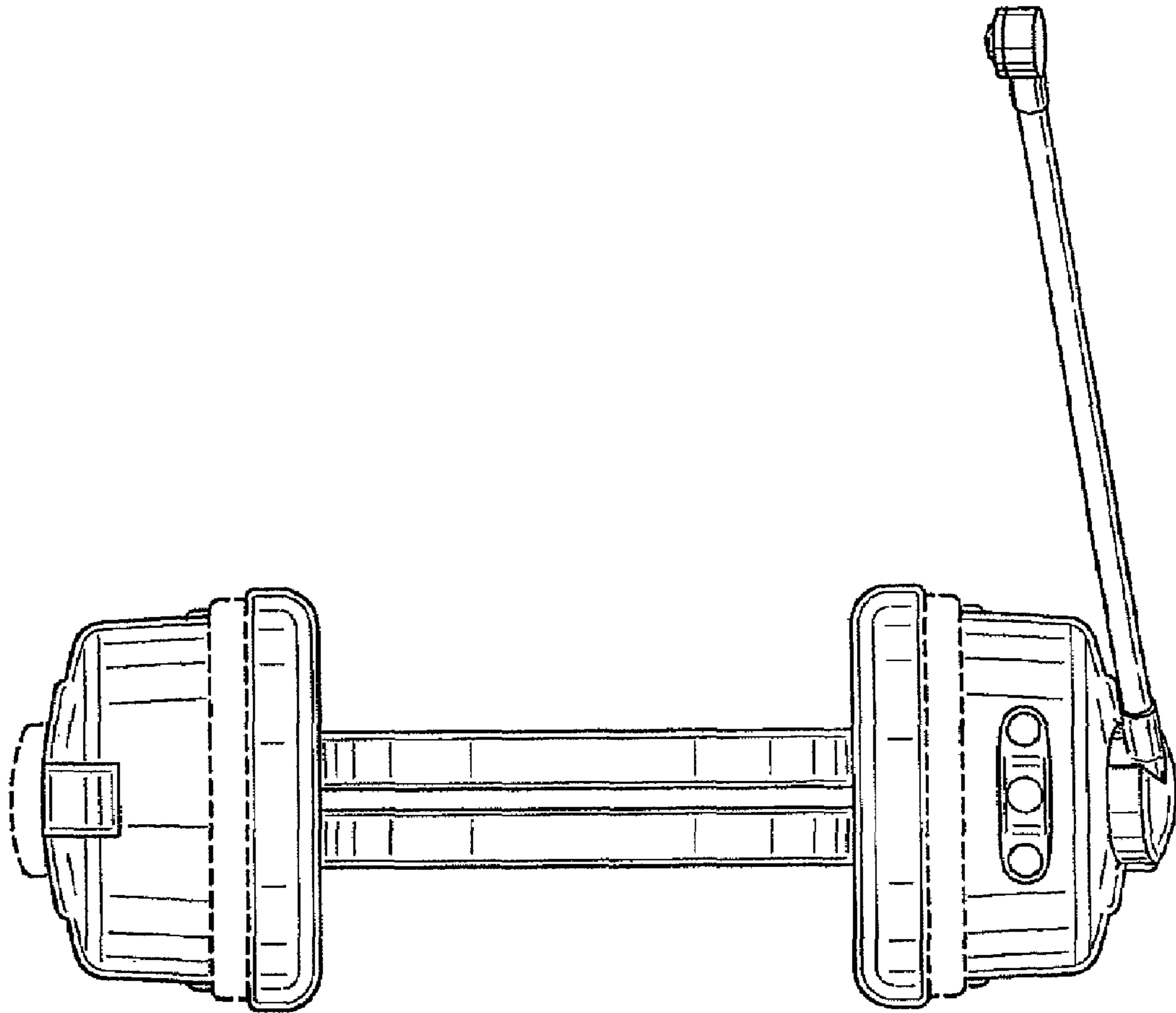


FIG. 5

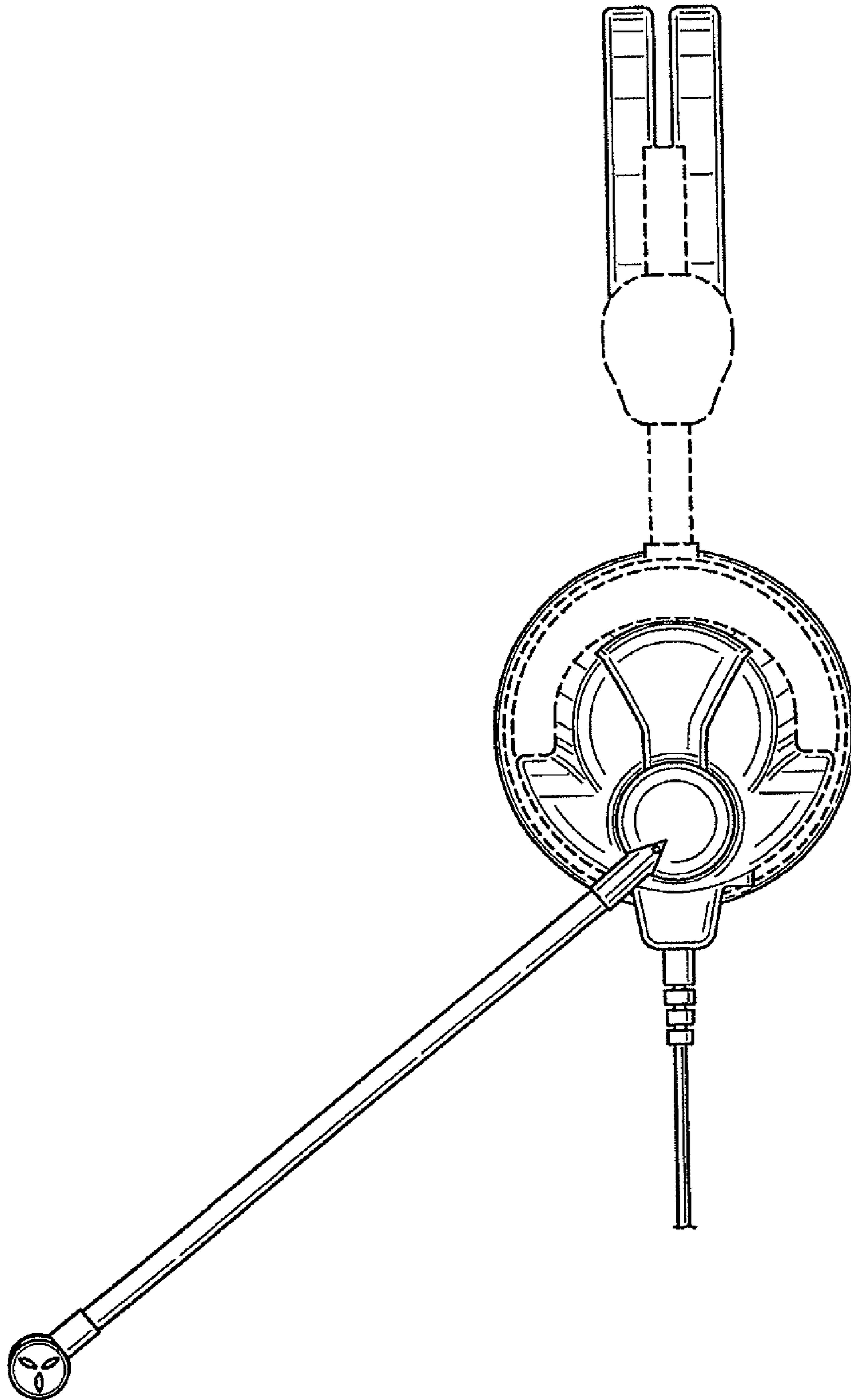


FIG. 6

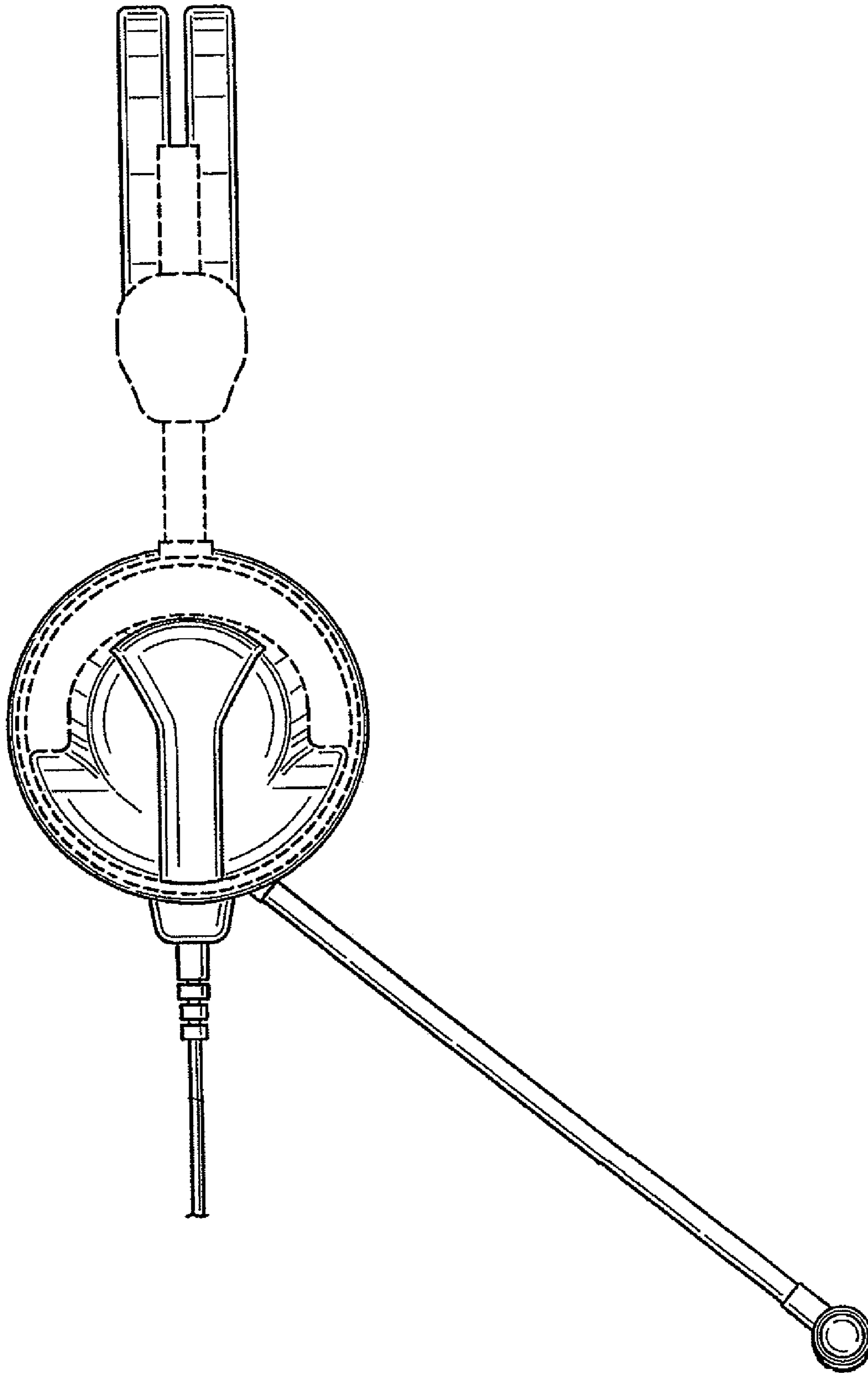


FIG. 7

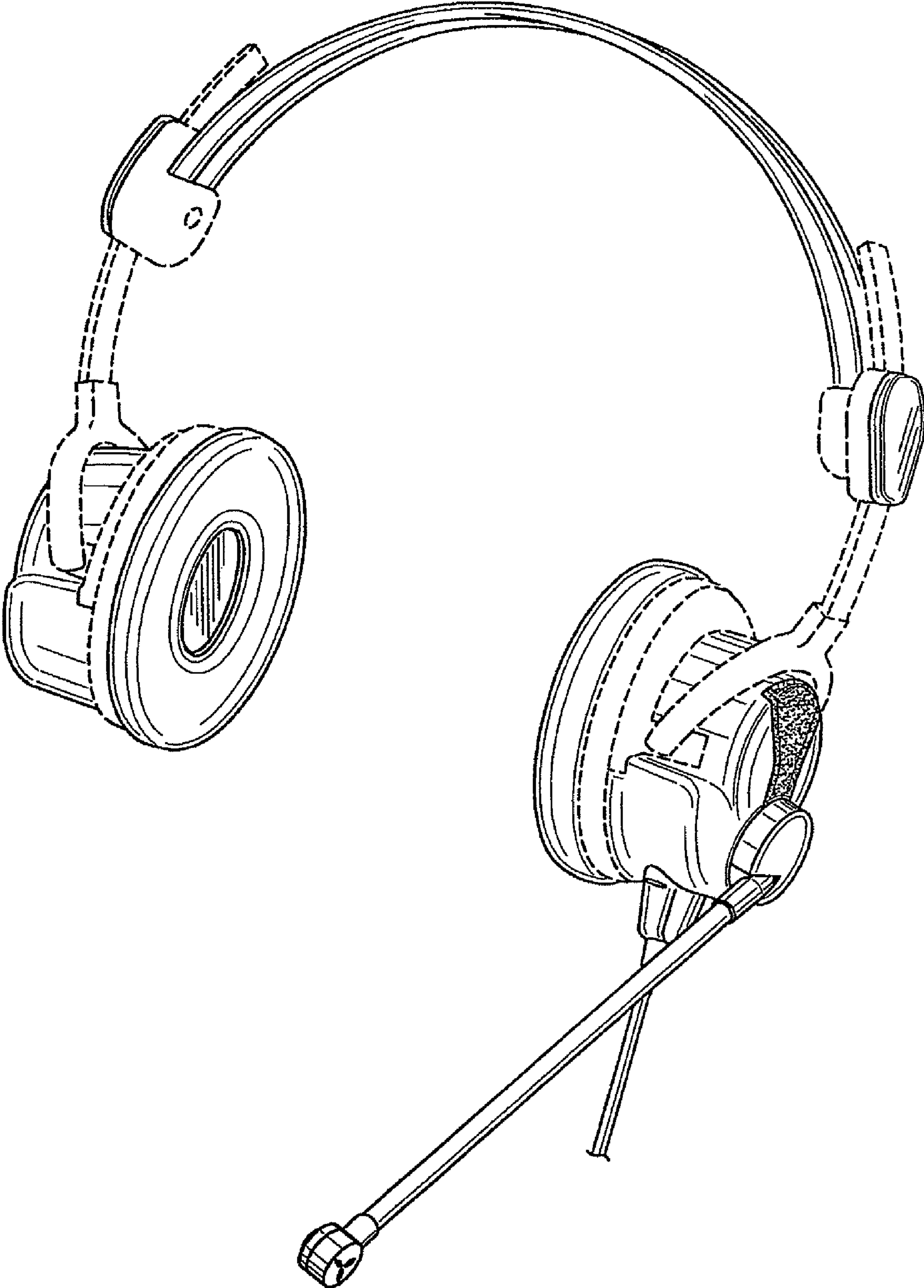


FIG. 8

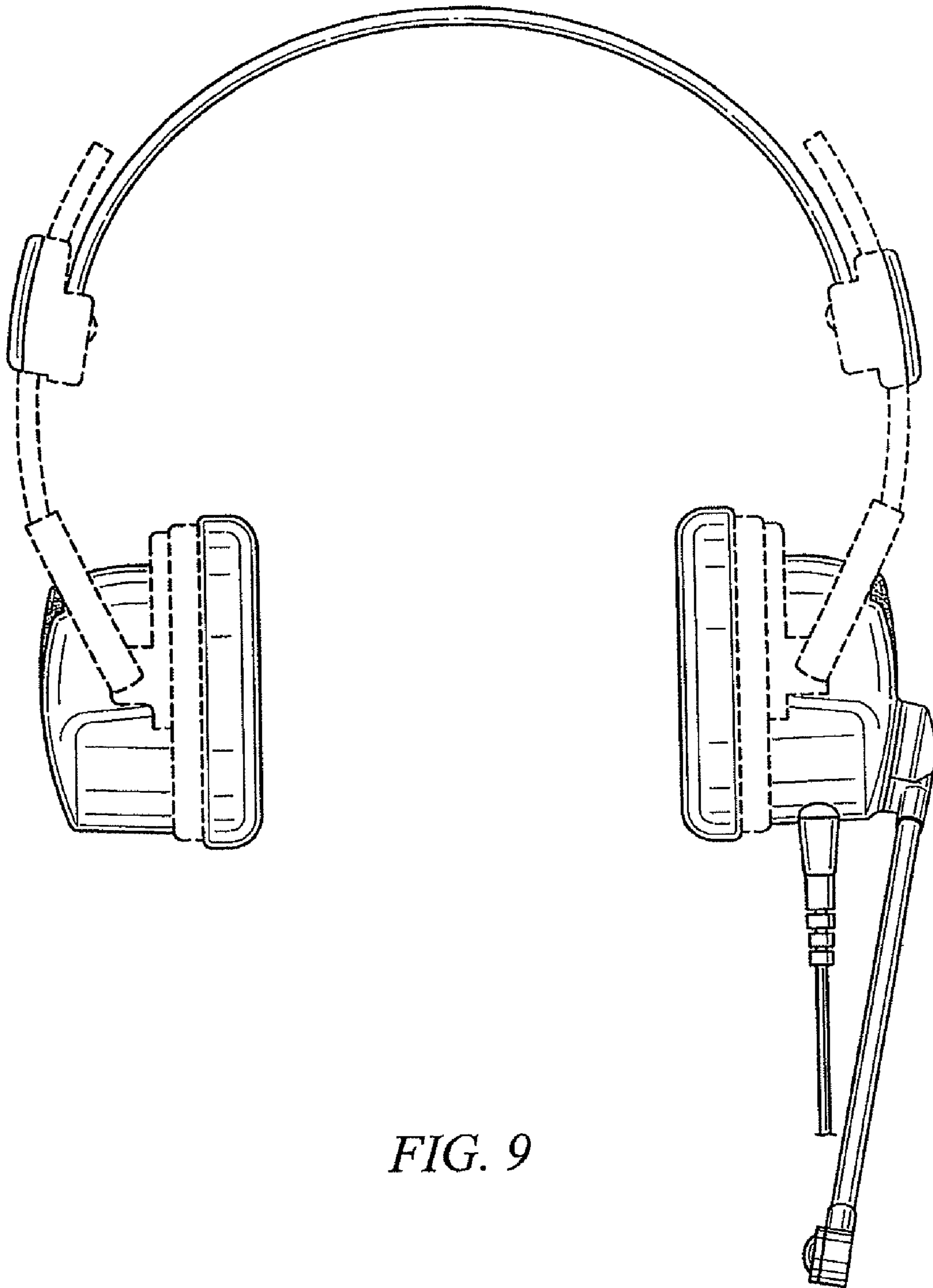


FIG. 9

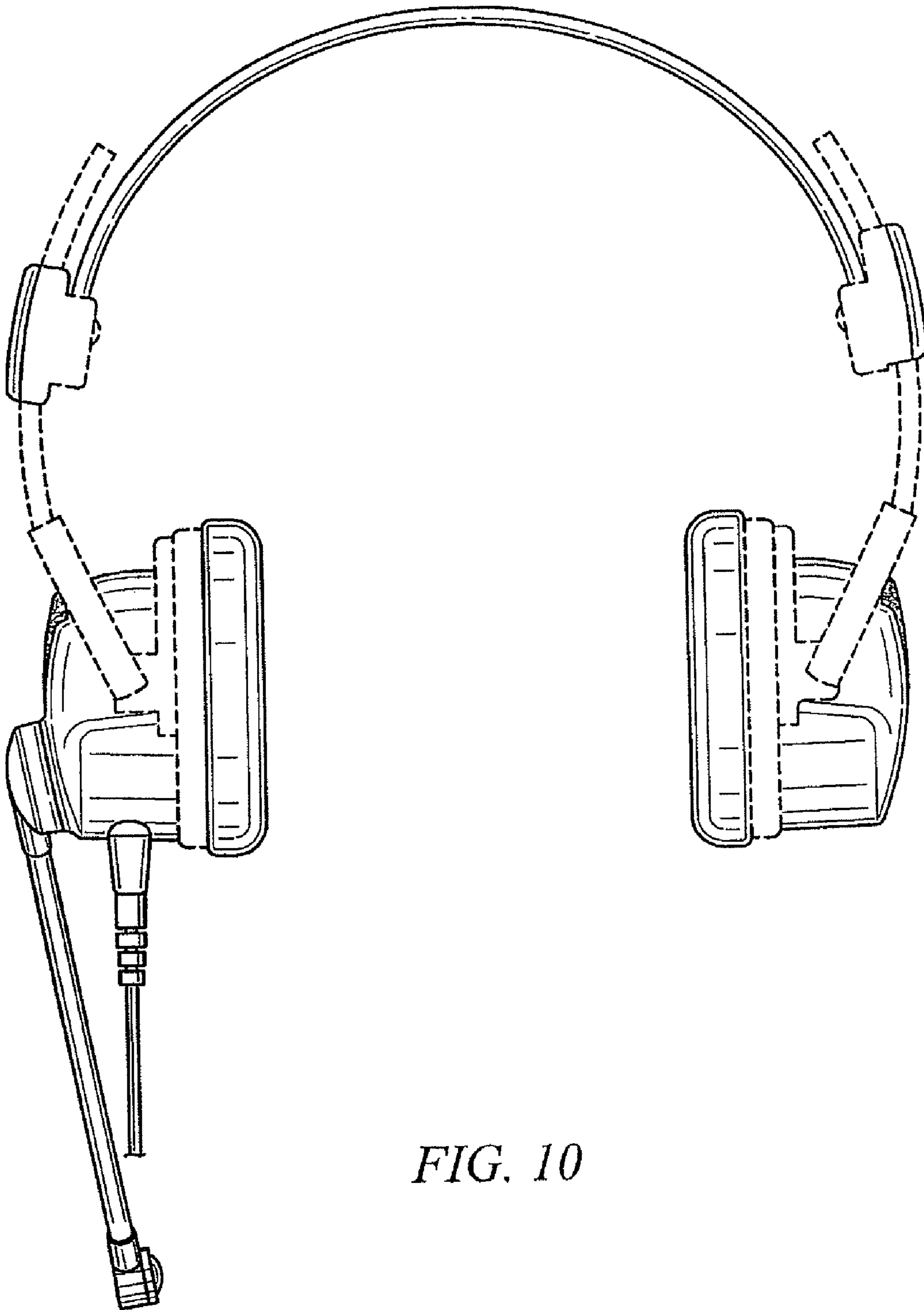


FIG. 10

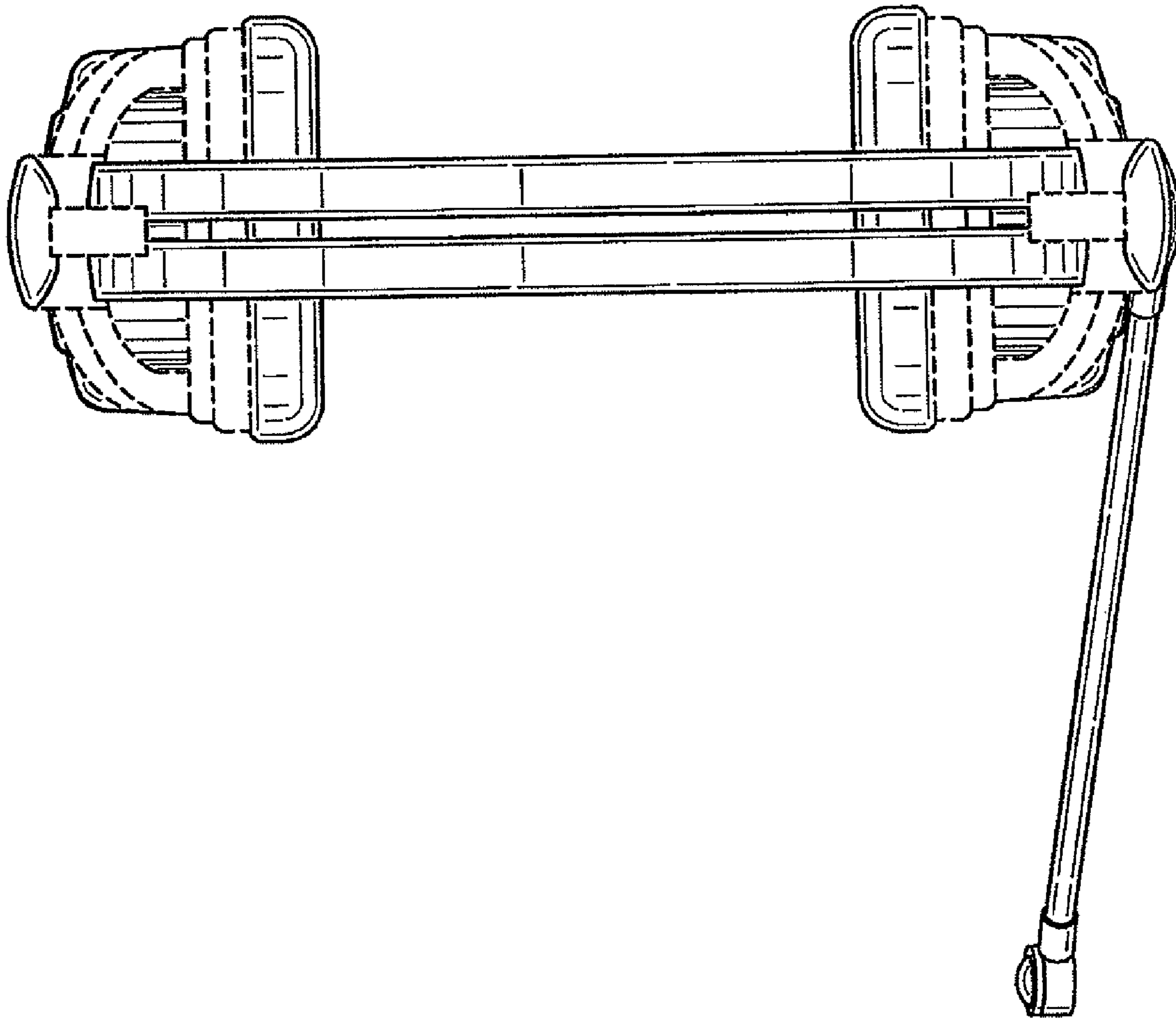


FIG. 11

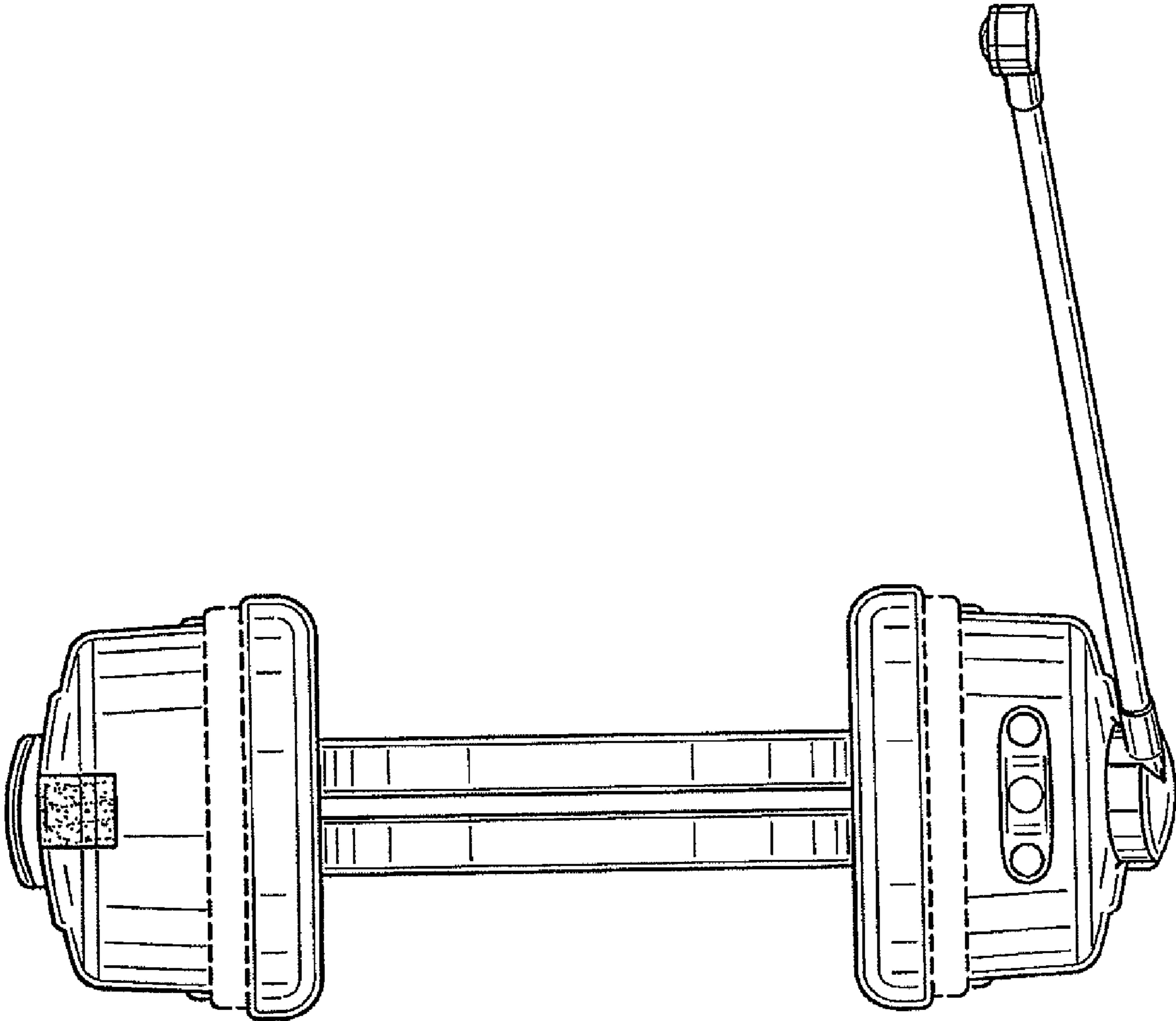


FIG. 12

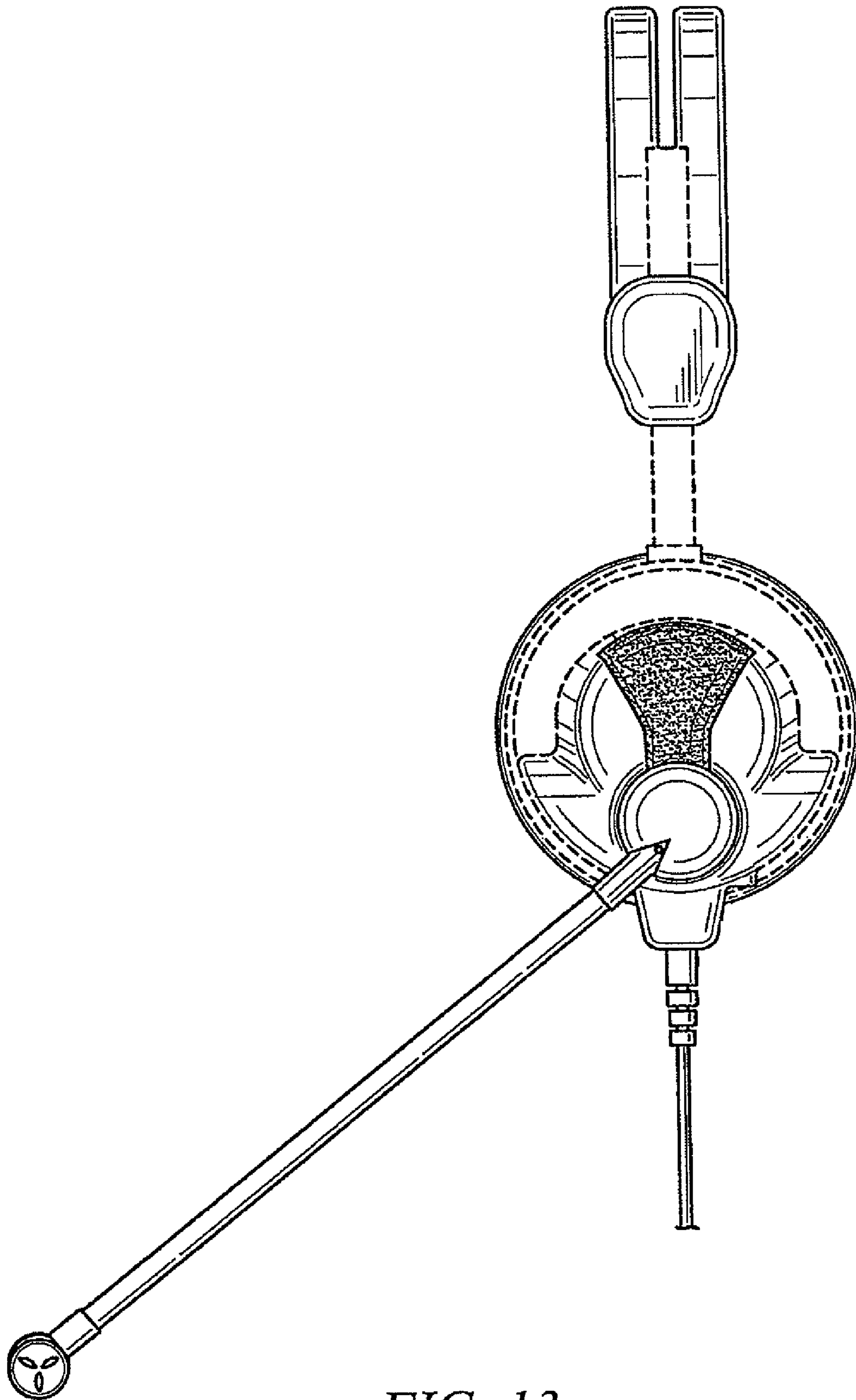


FIG. 13

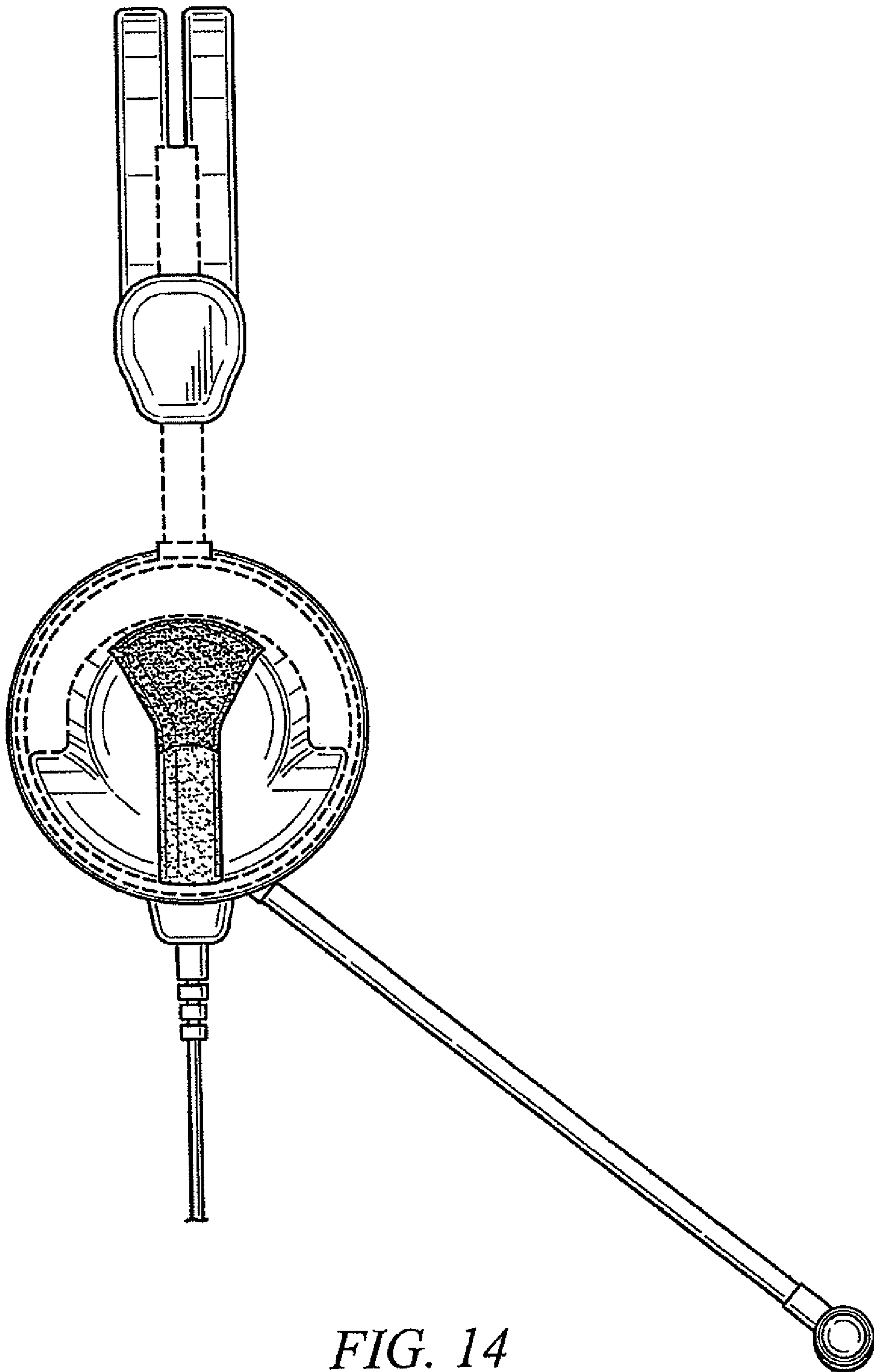


FIG. 14