



US00D602904S

(12) **United States Design Patent**  
**Lomp**

(10) **Patent No.:** **US D602,904 S**  
(45) **Date of Patent:** **\*\* Oct. 27, 2009**

(54) **LYRIC DISPLAYING MUSIC DEVICE**

(76) Inventor: **Peter V. Lomp**, 5011 Bell Blvd.,  
Oakland Gardens, NY (US) 11364

(\*\*) Term: **14 Years**

(21) Appl. No.: **29/334,850**

(22) Filed: **Apr. 2, 2009**

(51) **LOC (9) Cl.** ..... **14-03**

(52) **U.S. Cl.** ..... **D14/203.3**; D14/496; D14/203.7

(58) **Field of Classification Search** ..... D14/496,  
D14/401, 435, 474, 483, 217, 137, 138, 160,  
D14/168, 356, 203.1-203.8, 507; 345/156,  
345/169, 173-179, 905; 715/727-729, 864;  
710/1, 5, 8; 713/1, 600; 455/1.1, 1.7, 73,  
455/344-347, 93, 95, 3.01-3.06, 550.1, 573.1;  
370/342-344; 369/1, 2, 6-12; 463/43-47;  
273/148 B; 434/307 A, 307 R; 84/609-614  
See application file for complete search history.

(56) **References Cited**

**U.S. PATENT DOCUMENTS**

- 5,642,344 A \* 6/1997 Yamada et al. .... 720/640
- 5,672,108 A \* 9/1997 Lam et al. .... 463/39
- D406,832 S \* 3/1999 Anderson ..... D14/496
- D446,203 S 8/2001 Arpe
- 6,278,048 B1 8/2001 Lee
- 6,328,570 B1 12/2001 Ng

- 6,525,251 B1 2/2003 Huang et al.
- D551,679 S \* 9/2007 Hayes ..... D14/496
- D553,641 S \* 10/2007 Williamson et al. .... D14/496
- D565,595 S \* 4/2008 Endo et al. .... D14/496
- D583,798 S \* 12/2008 Iijima et al. .... D14/168
- 2005/0102722 A1 \* 5/2005 Yamamoto et al. .... D14/496
- 2006/0156238 A1 \* 7/2006 Lee et al. .... 715/723
- 2007/0022378 A1 \* 1/2007 Hamada ..... 715/716
- 2007/0166683 A1 7/2007 Chang et al.
- 2007/0175313 A1 8/2007 Vandervliet

\* cited by examiner

*Primary Examiner*—Prabhakar Deshmukh

(57) **CLAIM**

The ornamental design for a lyric displaying music device, as shown.

**DESCRIPTION**

FIG. 1 is a perspective view of a lyric displaying music device;

FIG. 2 is a front view thereof;

FIG. 3 is a back view thereof;

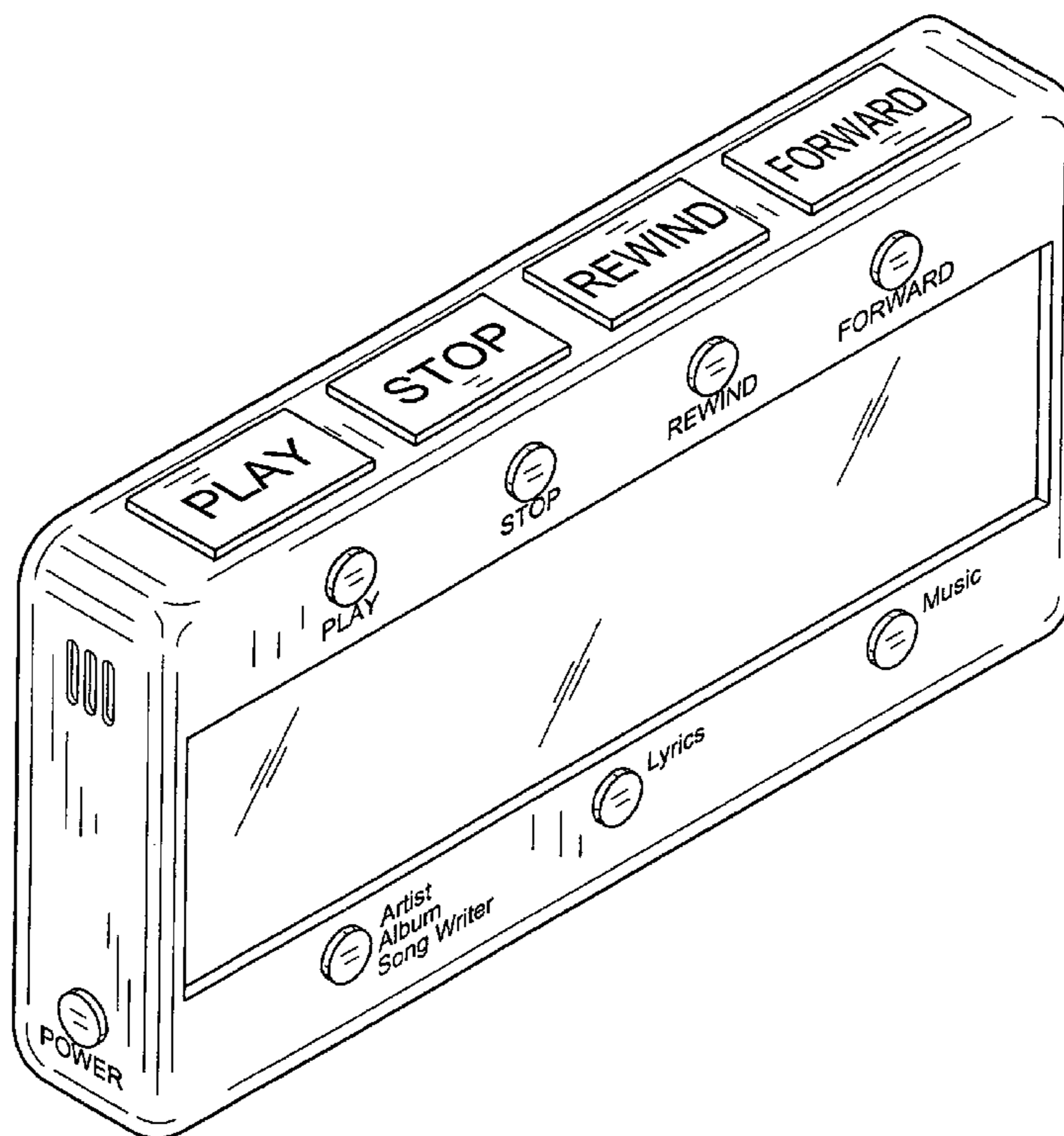
FIG. 4 is a side view thereof;

FIG. 5 is an opposite side view thereof;

FIG. 6 is a top view thereof; and,

FIG. 7 is a bottom view thereof.

**1 Claim, 4 Drawing Sheets**



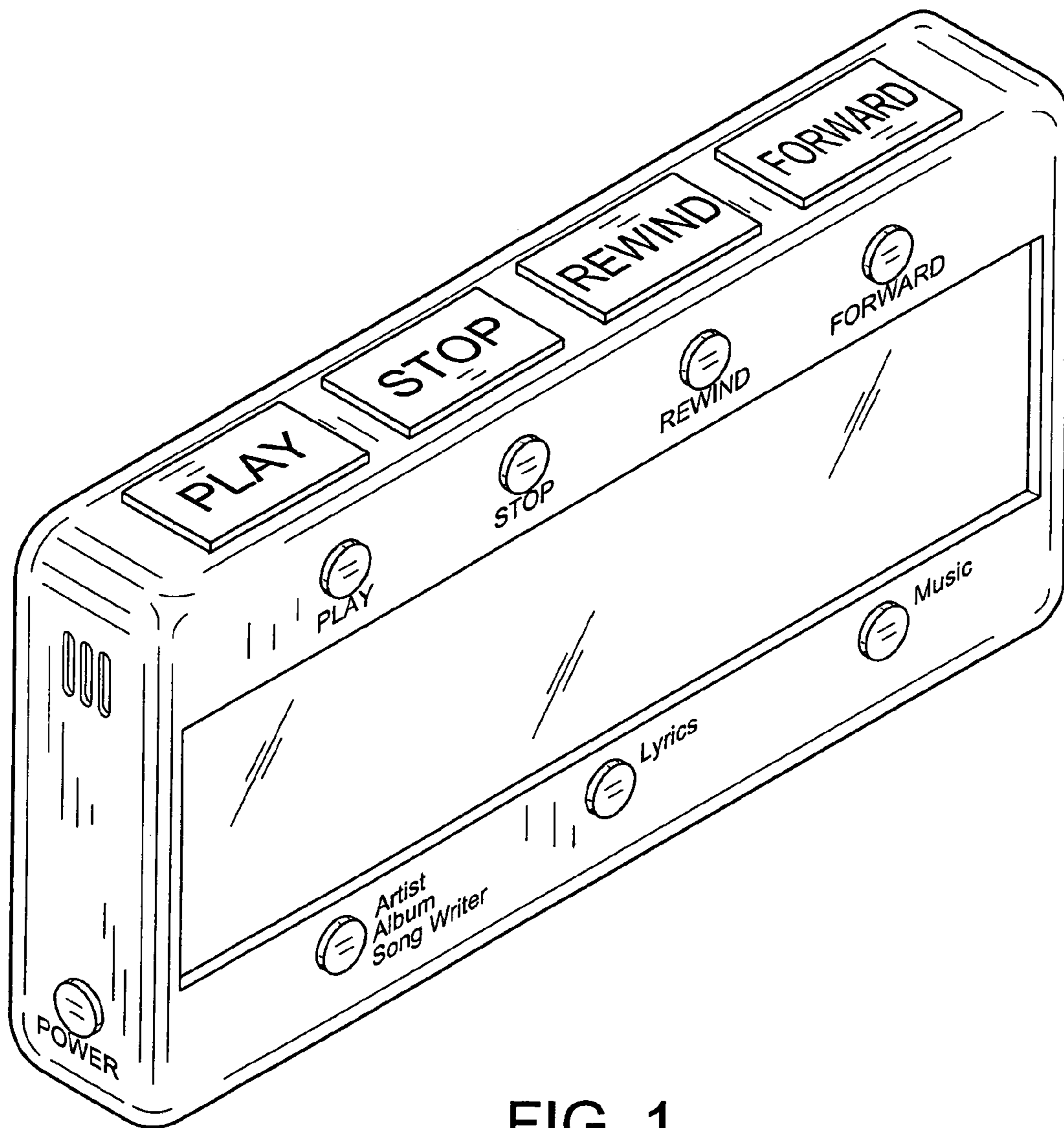


FIG. 1

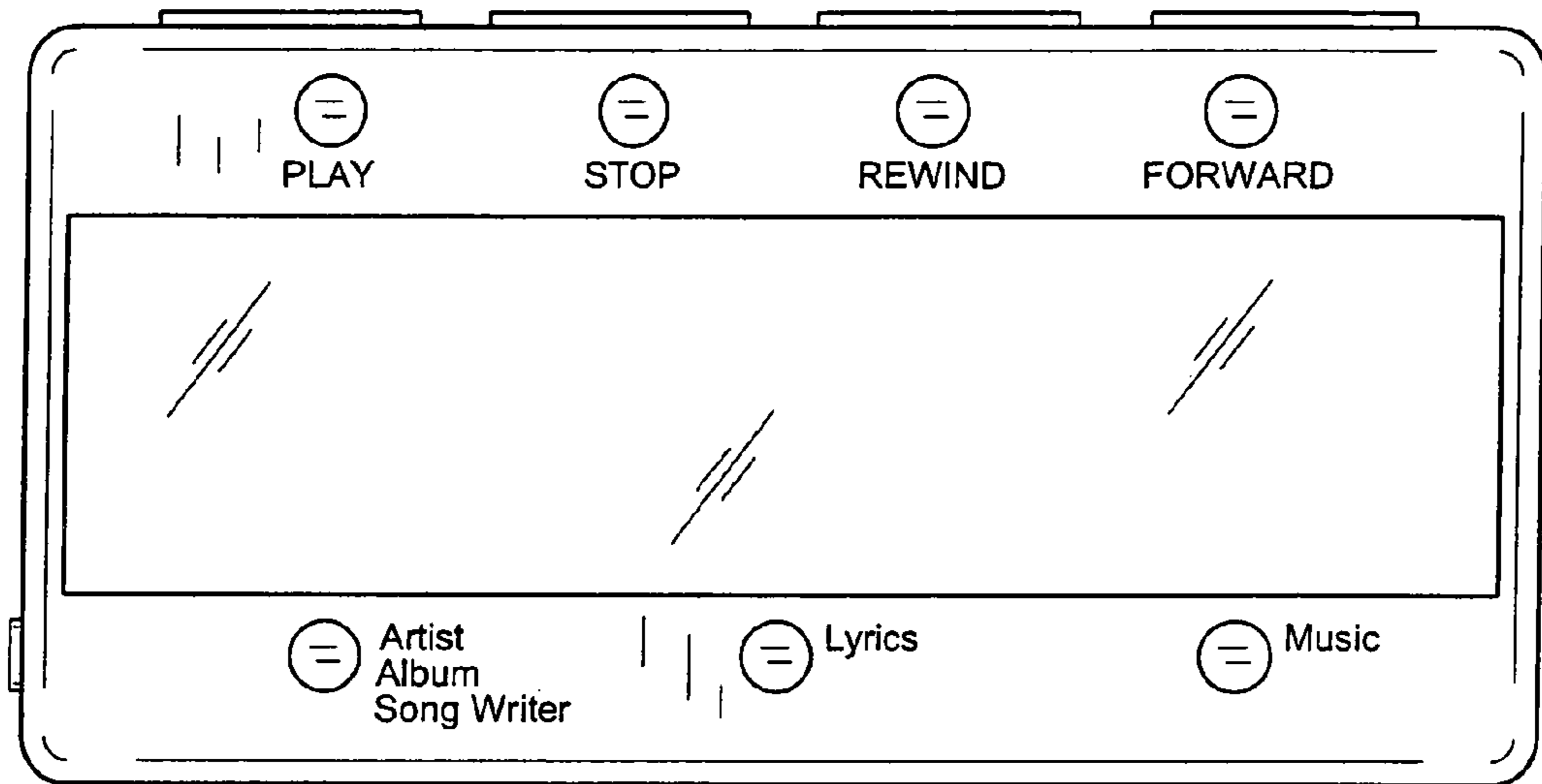


FIG. 2

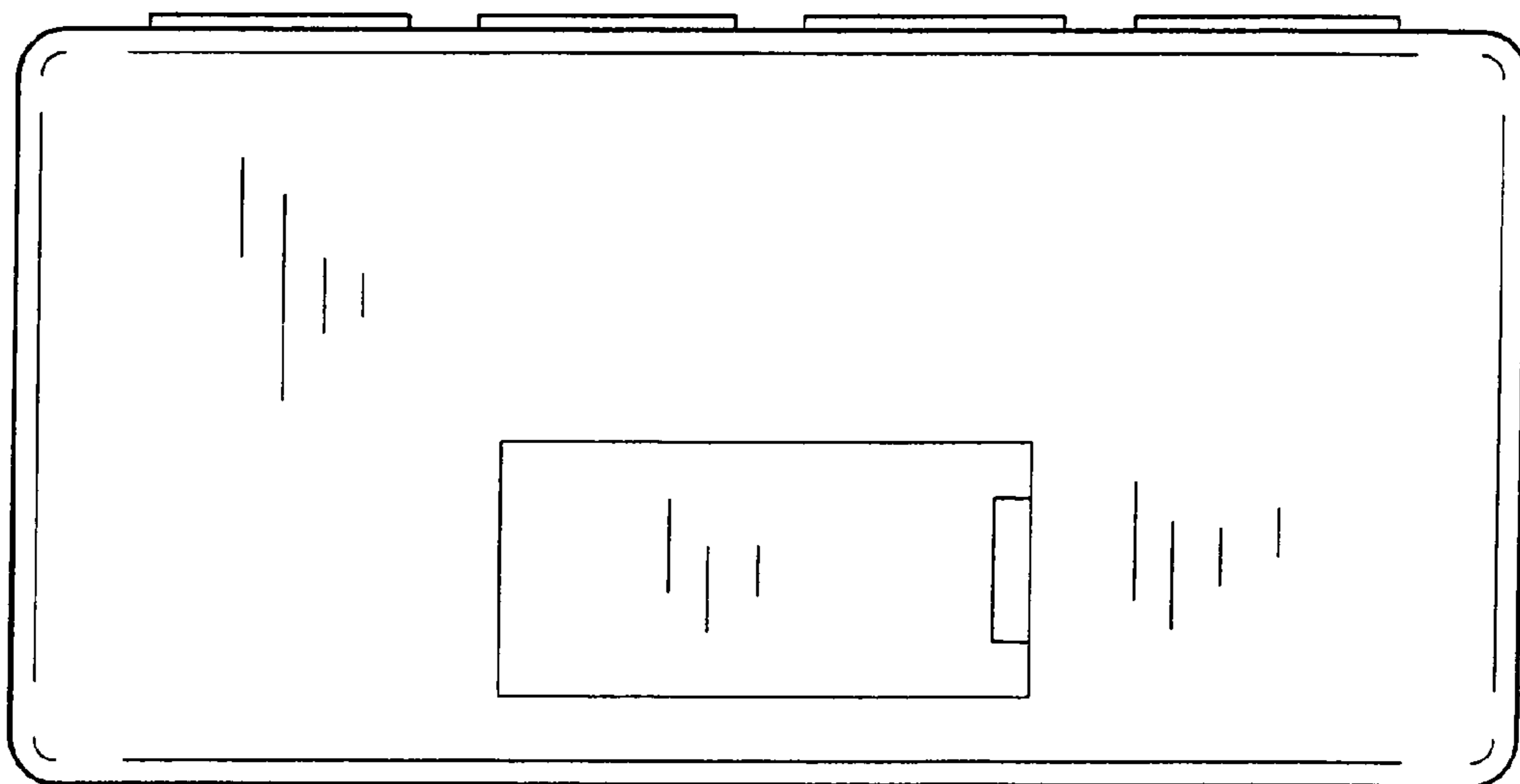


FIG. 3

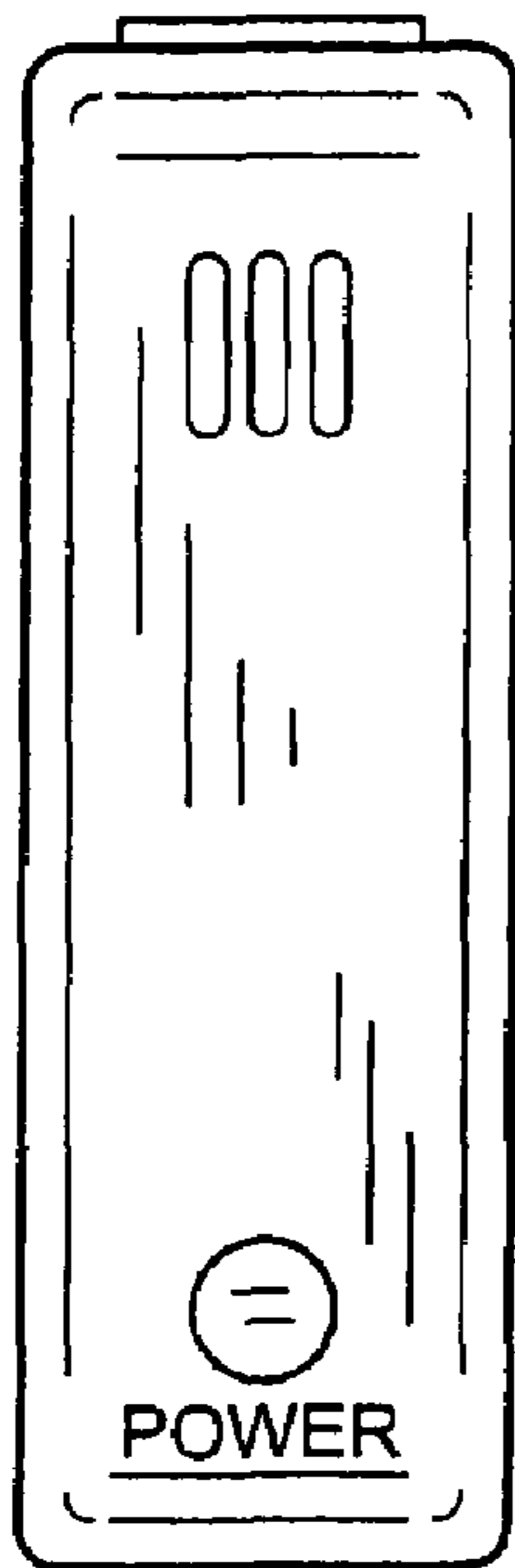


FIG. 4

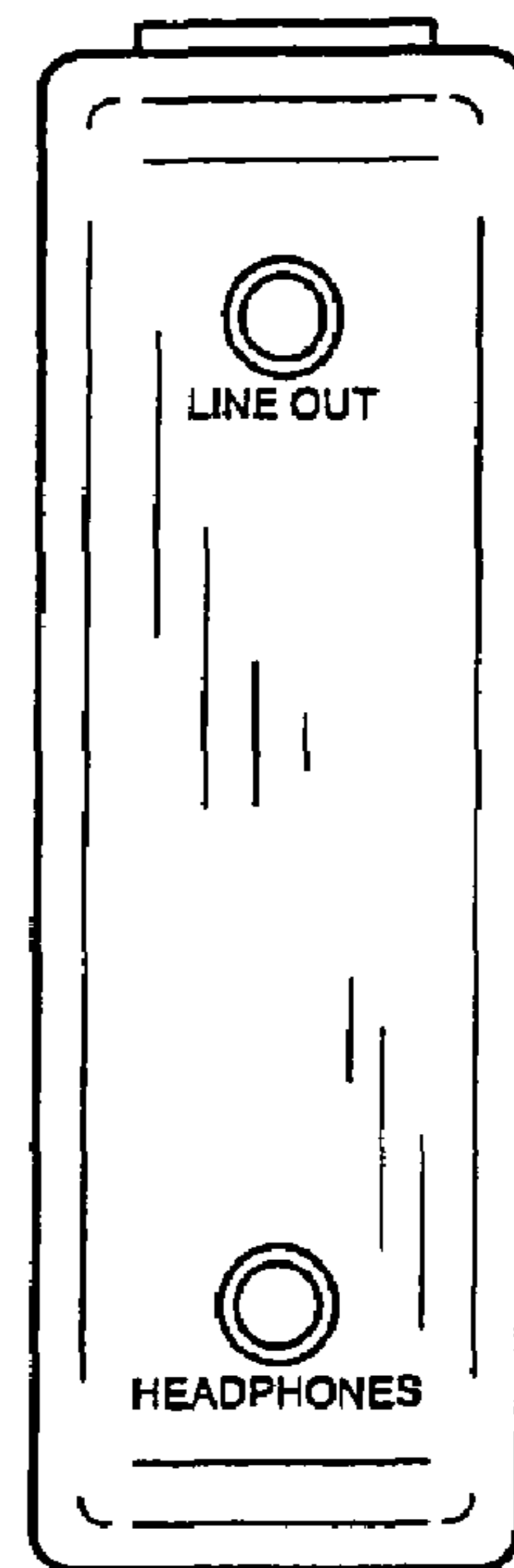


FIG. 5

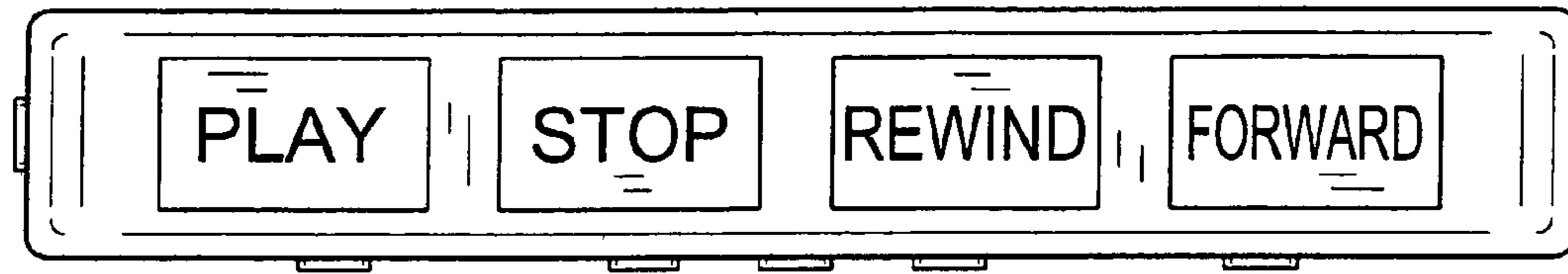


FIG. 6

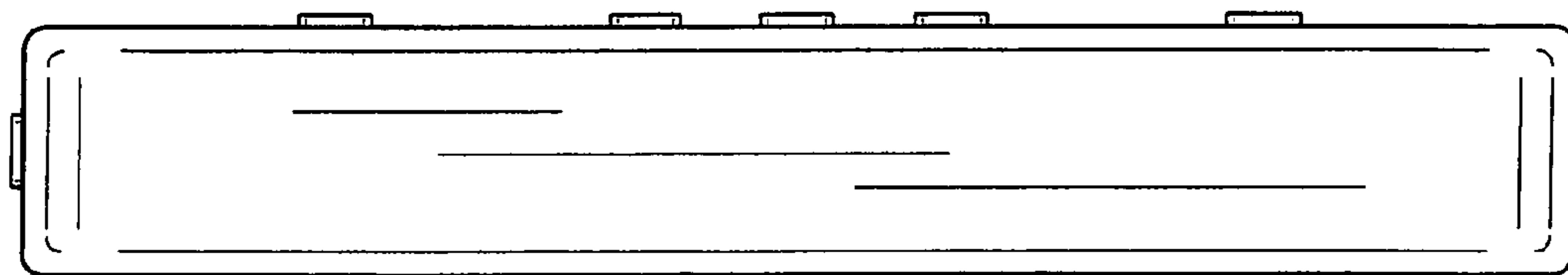


FIG. 7