



US00D602901S

(12) **United States Design Patent**
Eguchi et al.

(10) **Patent No.:** **US D602,901 S**
(45) **Date of Patent:** **** Oct. 27, 2009**

(54) **HANDSET**

(75) Inventors: **Shunjiro Eguchi**, Espoo (FI); **Juha Pirttilahti**, Nokia (FI)

(73) Assignee: **Nokia Corporation**, Espoo (FI)

(**) Term: **14 Years**

(21) Appl. No.: **29/328,347**

(22) Filed: **Nov. 21, 2008**

(51) **LOC (9) Cl.** **14-03**

(52) **U.S. Cl.** **D14/138 G; D14/138 AD**

(58) **Field of Classification Search** D14/138 R,
D14/138 AD, 138 AC, 138 C, 138 G, 191,
D14/203.1–203.8, 496, 138 AA, 138 AB,
D14/247–248, 137, 147, 218, 341–347; D10/65,
D10/78, 104; D13/168; D18/7; 455/566,
455/575.1, 575.3

See application file for complete search history.

(56) **References Cited**

U.S. PATENT DOCUMENTS

- D491,156 S * 6/2004 Kawakami et al. D14/138 G
- D496,944 S * 10/2004 Huang D14/203.4
- D511,342 S * 11/2005 Chien D14/346
- D530,699 S * 10/2006 Lee et al. D14/138 G
- 7,181,256 B2 * 2/2007 Hyun et al. 455/575.3
- D538,773 S * 3/2007 Joung D14/138 AA
- D548,212 S * 8/2007 Lee D14/138 AB
- D548,713 S * 8/2007 Lee et al. D14/138 AD
- D555,134 S * 11/2007 Sung et al. D14/138 AC
- D558,720 S * 1/2008 Lee et al. D14/138 AD
- D560,193 S * 1/2008 Sung et al. D14/138 AD
- D571,234 S * 6/2008 Reeson et al. D10/65
- D572,695 S * 7/2008 Tu D14/138 AD
- D578,098 S * 10/2008 Oh D14/138 AD
- D578,503 S * 10/2008 Shin et al. D14/138 AD
- D580,396 S * 11/2008 Kang D14/138 G
- D581,385 S * 11/2008 Park et al. D14/138 AD
- D581,894 S * 12/2008 Kim D14/138 G
- D585,411 S 1/2009 Eaton
- D588,085 S * 3/2009 Lin D14/138 AD

- D589,924 S * 4/2009 Jung et al. D14/138 AD
- D593,987 S * 6/2009 Lin D14/138 AB
- 2004/0058705 A1 * 3/2004 Morgan et al. 455/556.1
- 2005/0245296 A1 * 11/2005 Hong et al. 455/575.3
- 2007/0232368 A1 * 10/2007 Feightner et al. 455/575.1
- 2008/0039157 A1 * 2/2008 Park 455/575.1
- 2008/0051161 A1 * 2/2008 Tashiro 455/575.1

FOREIGN PATENT DOCUMENTS

WO DM/071670 * 3/2009

OTHER PUBLICATIONS

HTC Touch HD, announced Sep. 2008, [online], [retrieved on Sep. 19, 2008]. Retrieved from Internet ,<URL: <http://www.gsmarena.com>>.*

(Continued)

Primary Examiner—Jeffrey D Asch
Assistant Examiner—Bridget L Eland
(74) *Attorney, Agent, or Firm*—Banner & Witcoff, Ltd.

(57) **CLAIM**

The ornamental design for a handset, as shown and described.

DESCRIPTION

FIG. 1 is a perspective front view showing our new design with the screen part of the handset in an in-use position;

FIG. 2 is a right side view thereof;

FIG. 3 is a left side view thereof;

FIG. 4 is a top view thereof;

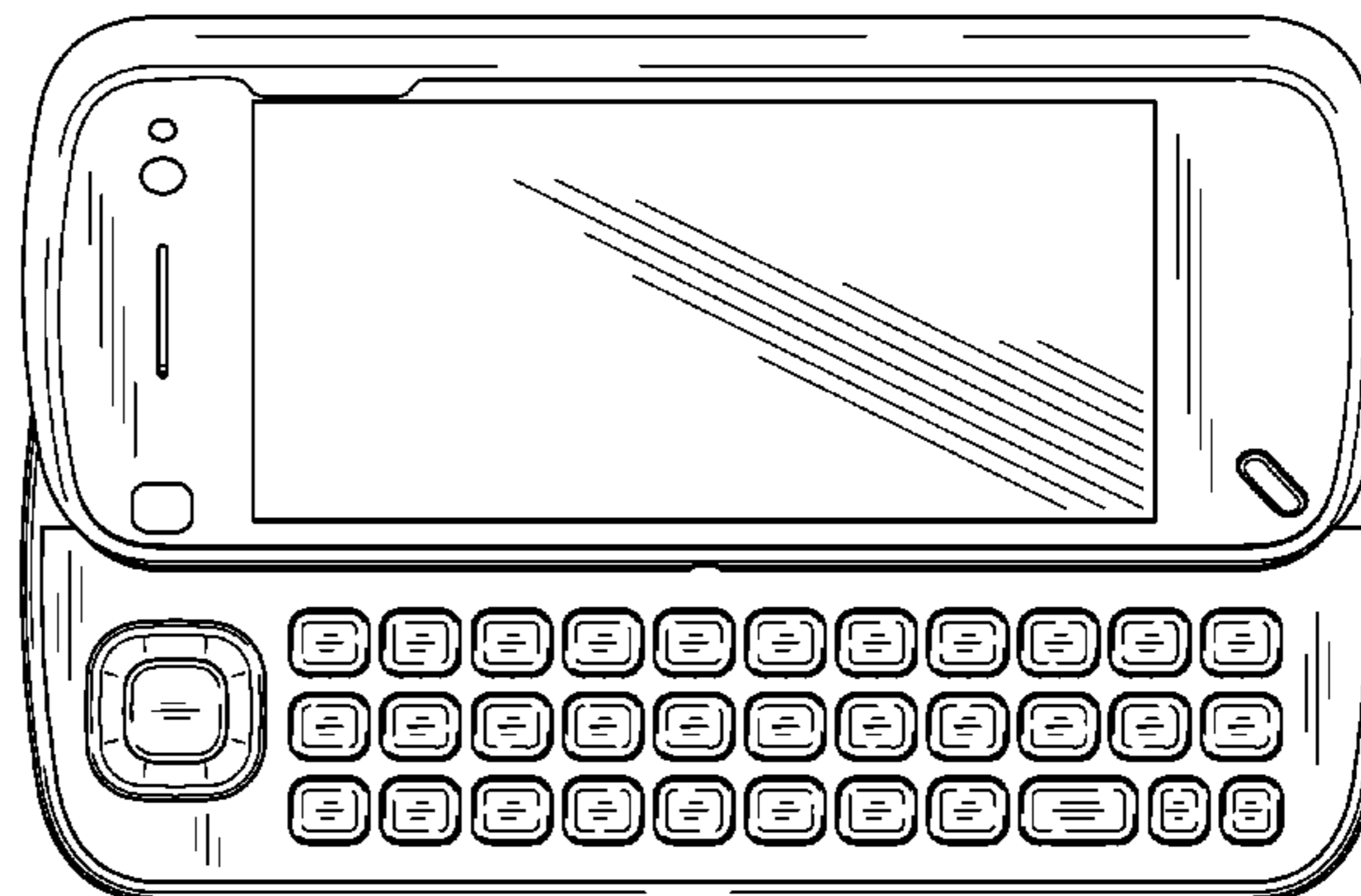
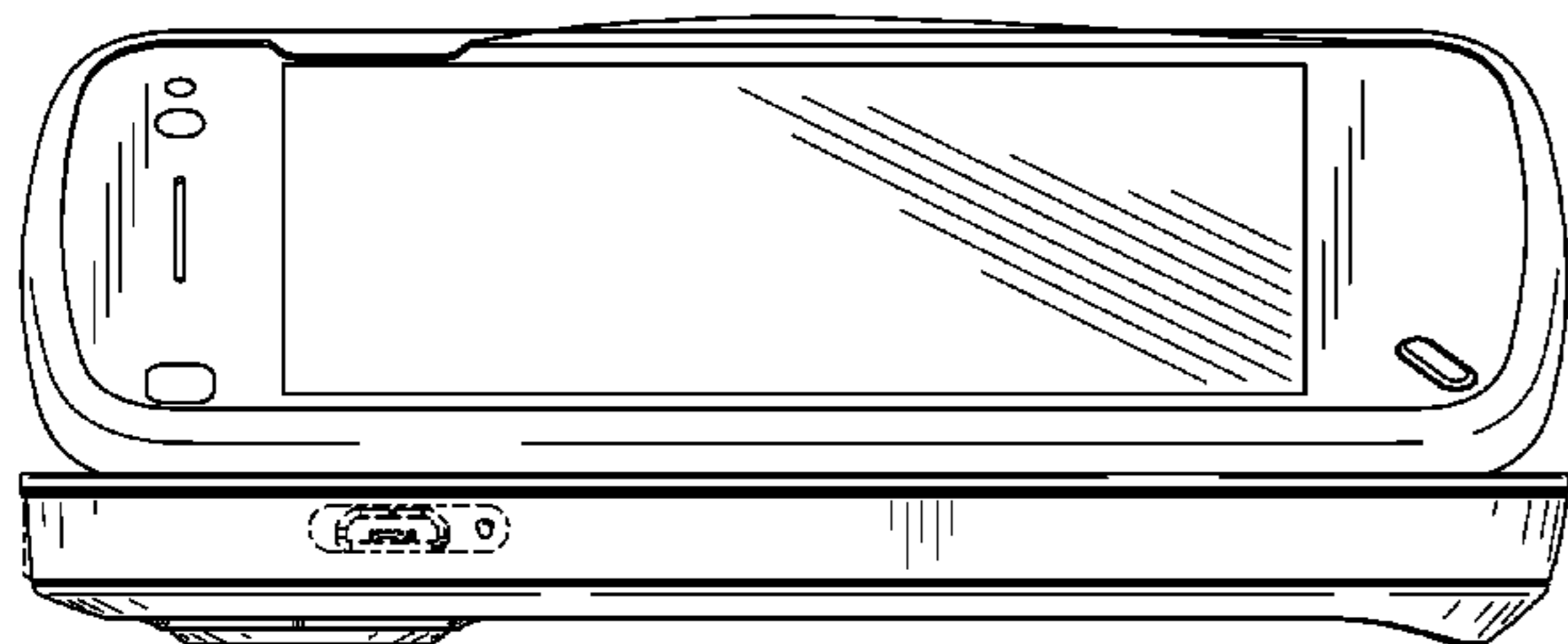
FIG. 5 is a bottom view thereof;

FIG. 6 is a front view thereof; and,

FIG. 7 is a rear view thereof.

The broken lines immediately adjacent the shaded areas represent the bounds of the claimed design while all other broken lines are directed to environment and are for illustrative purposes only; the broken lines form no part of the claimed design.

1 Claim, 5 Drawing Sheets



OTHER PUBLICATIONS

HTC Touch Pro2, announced Feb. 2009, [online], [retrieved on Feb. 20, 2009]. Retrieved from Internet ,<URL: <http://www.gsmarena.com>>.*

Nokia N97, announced Nov. 2008, [online], [retrieved on Dec. 12, 2008]. Retrieved from Internet ,<URL: <http://www.gsmarena.com>>.*

LG KT610, announced Feb. 2008, [online], [retrieved on Mar. 21, 2008 and Sep. 5, 2008]. Retrieved from Internet ,<URL: <http://www.gsmarena.com>>.*

* cited by examiner

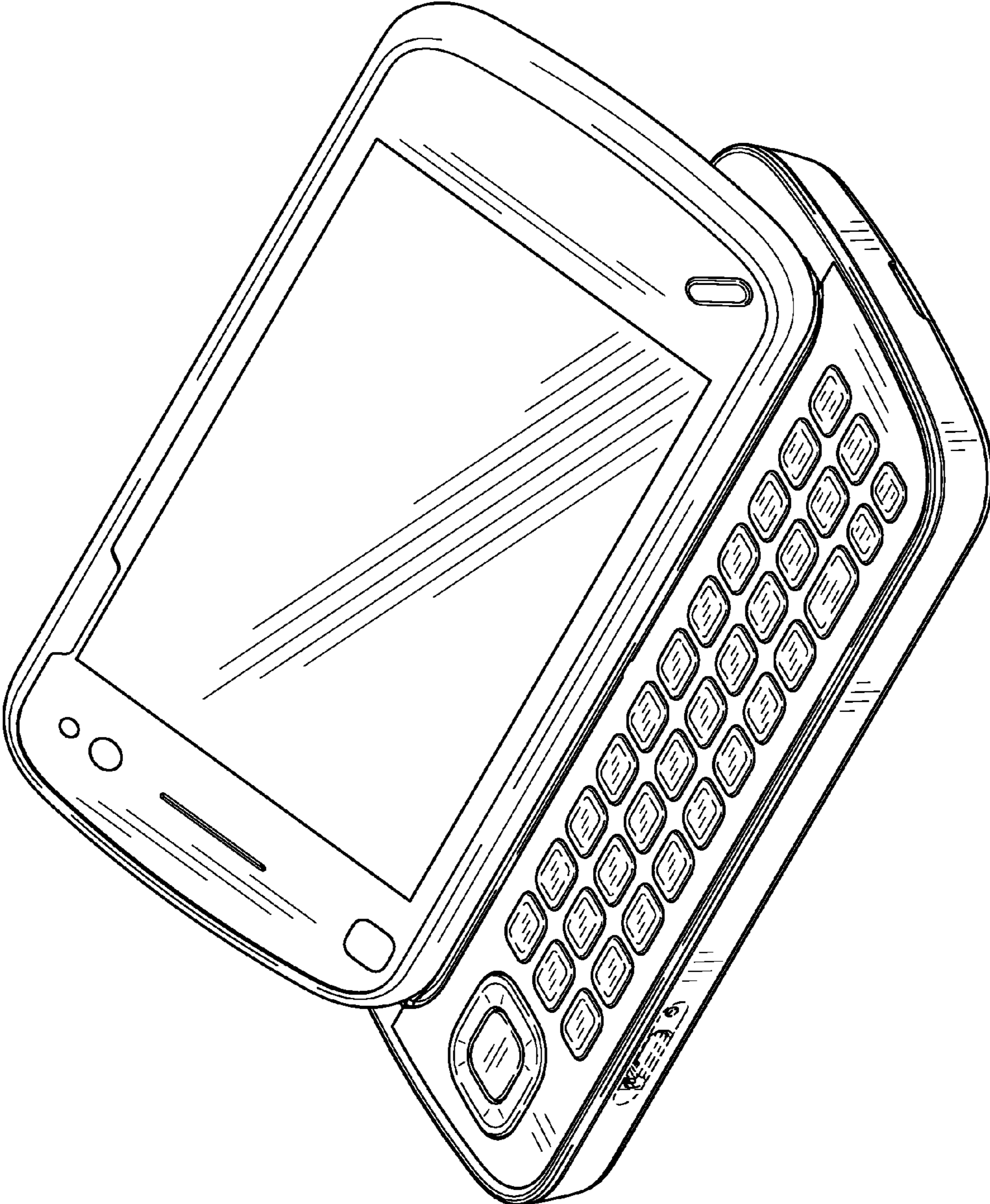


FIG. 1

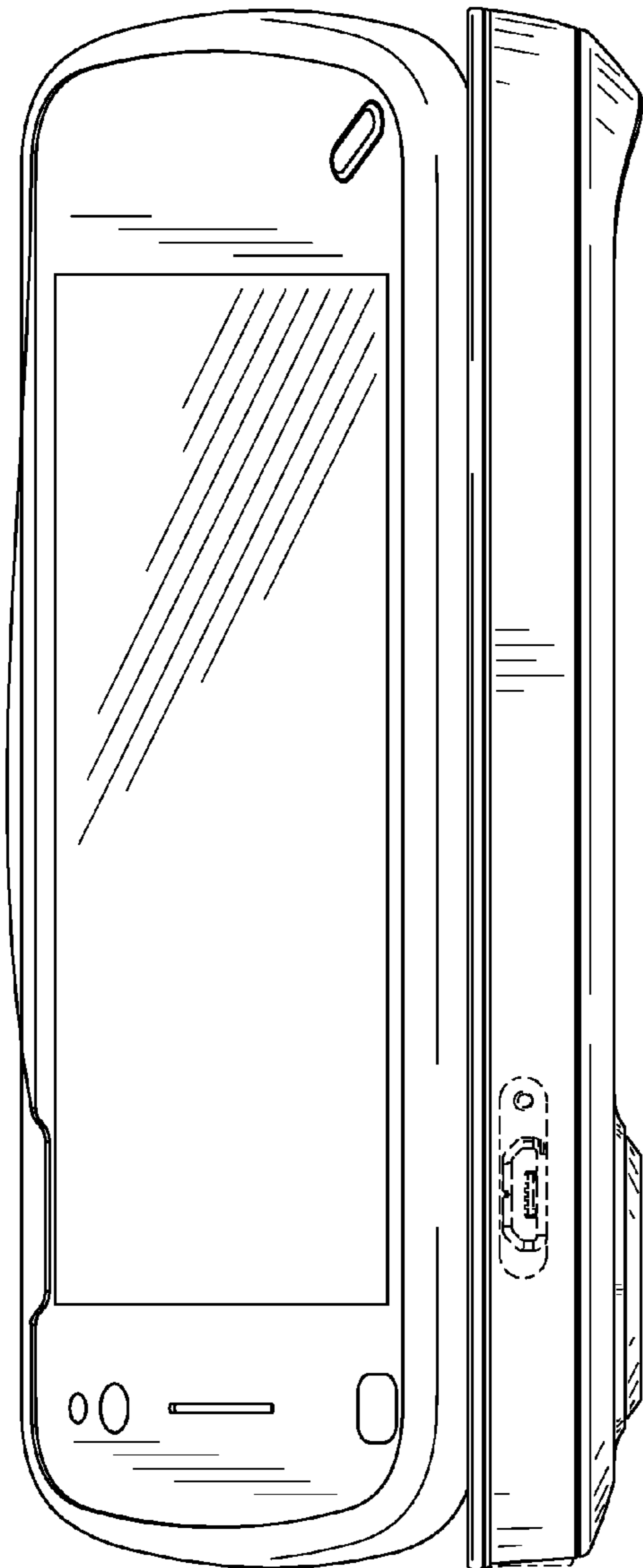


FIG. 2

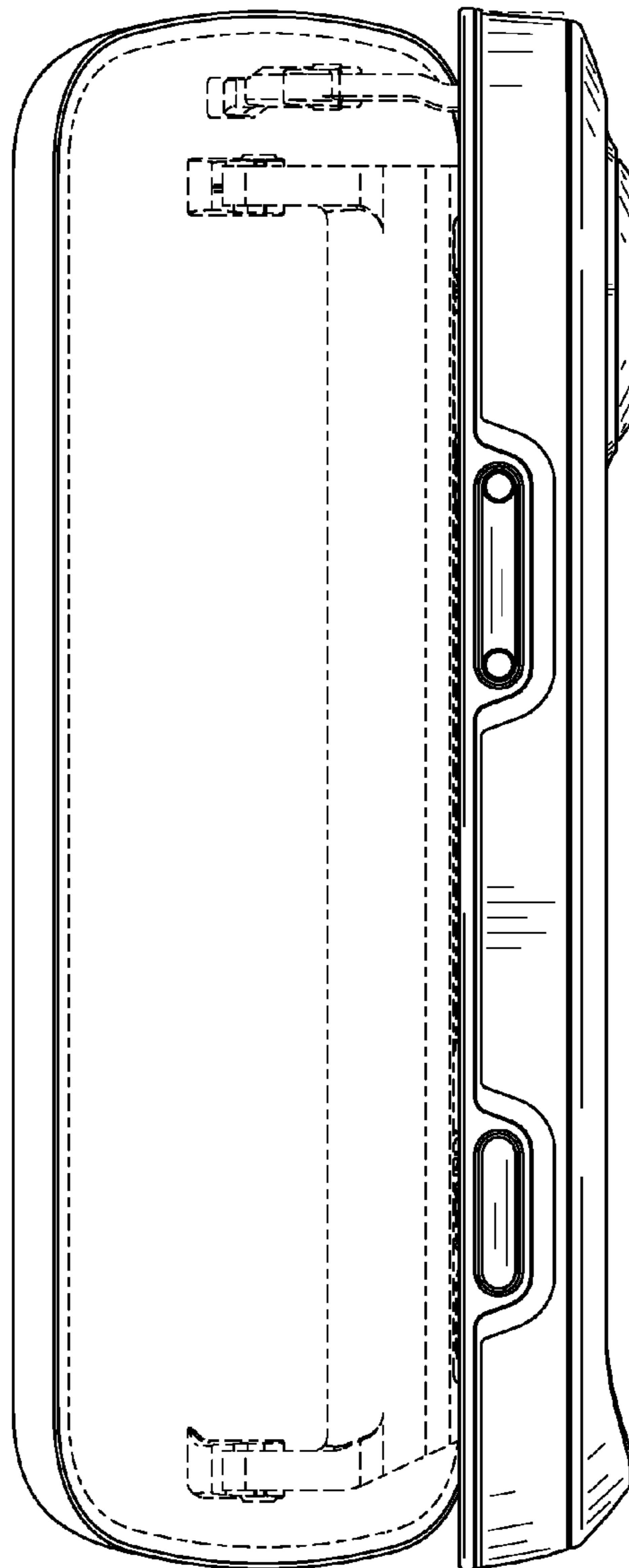


FIG. 3

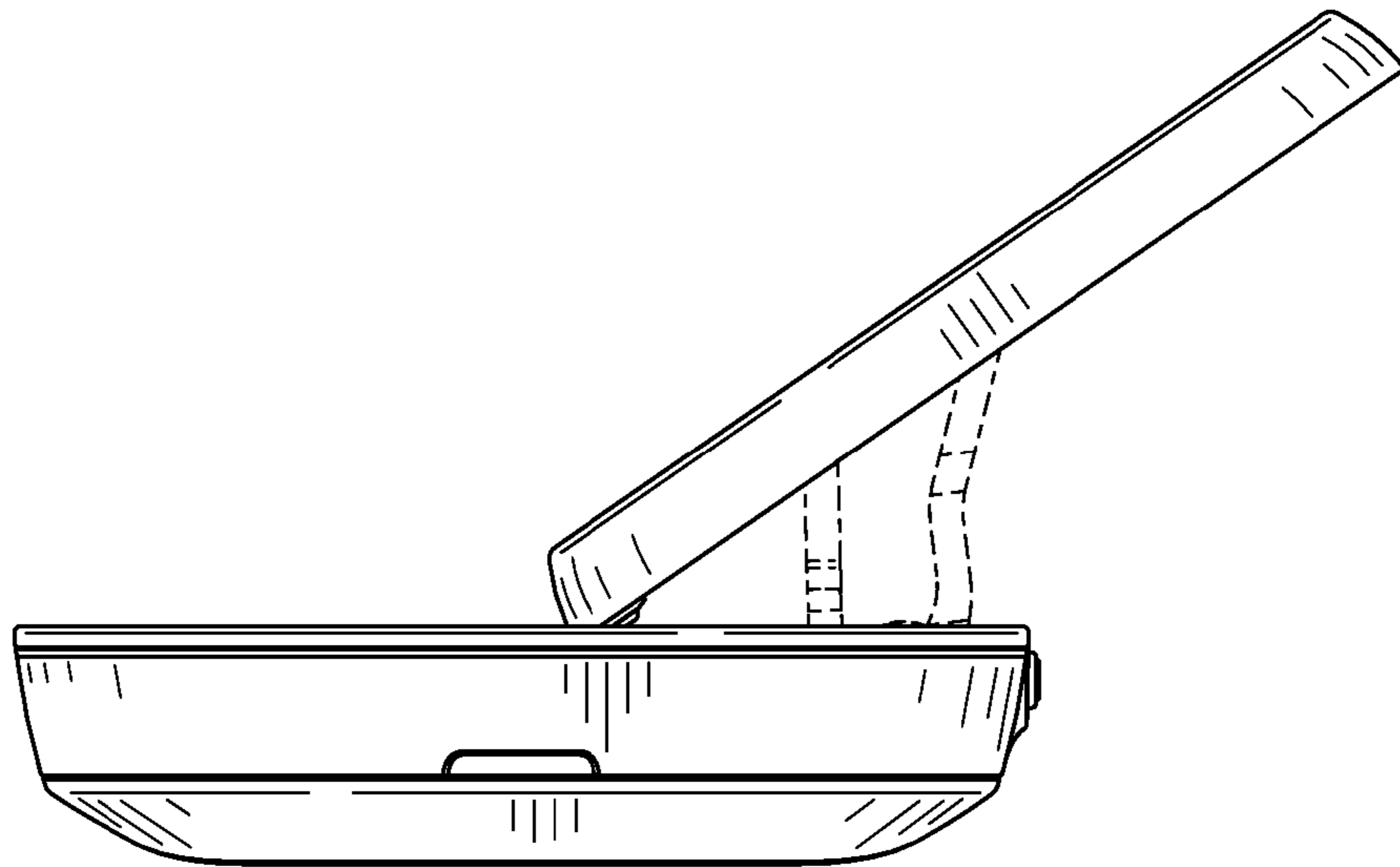


FIG. 4

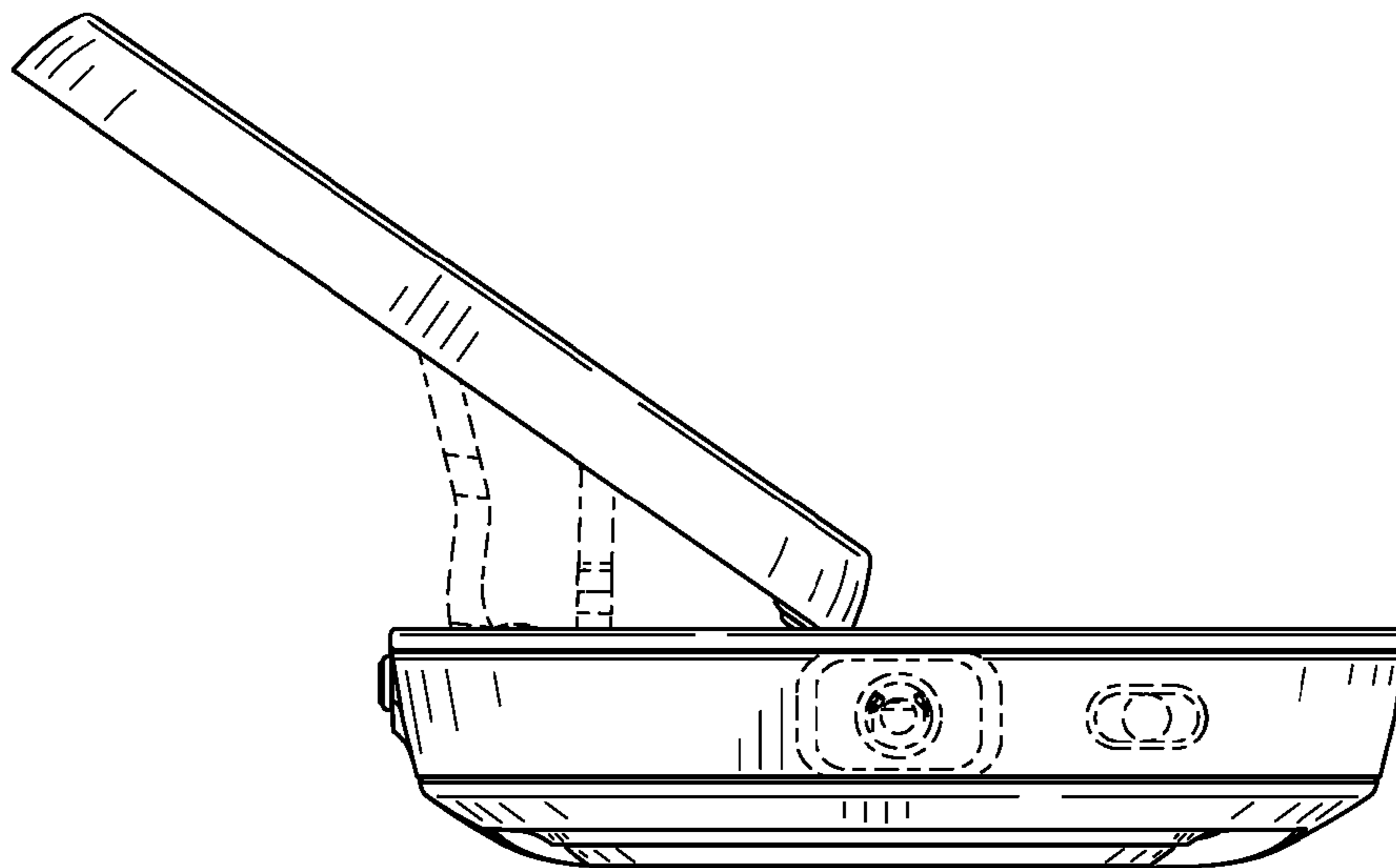


FIG. 5

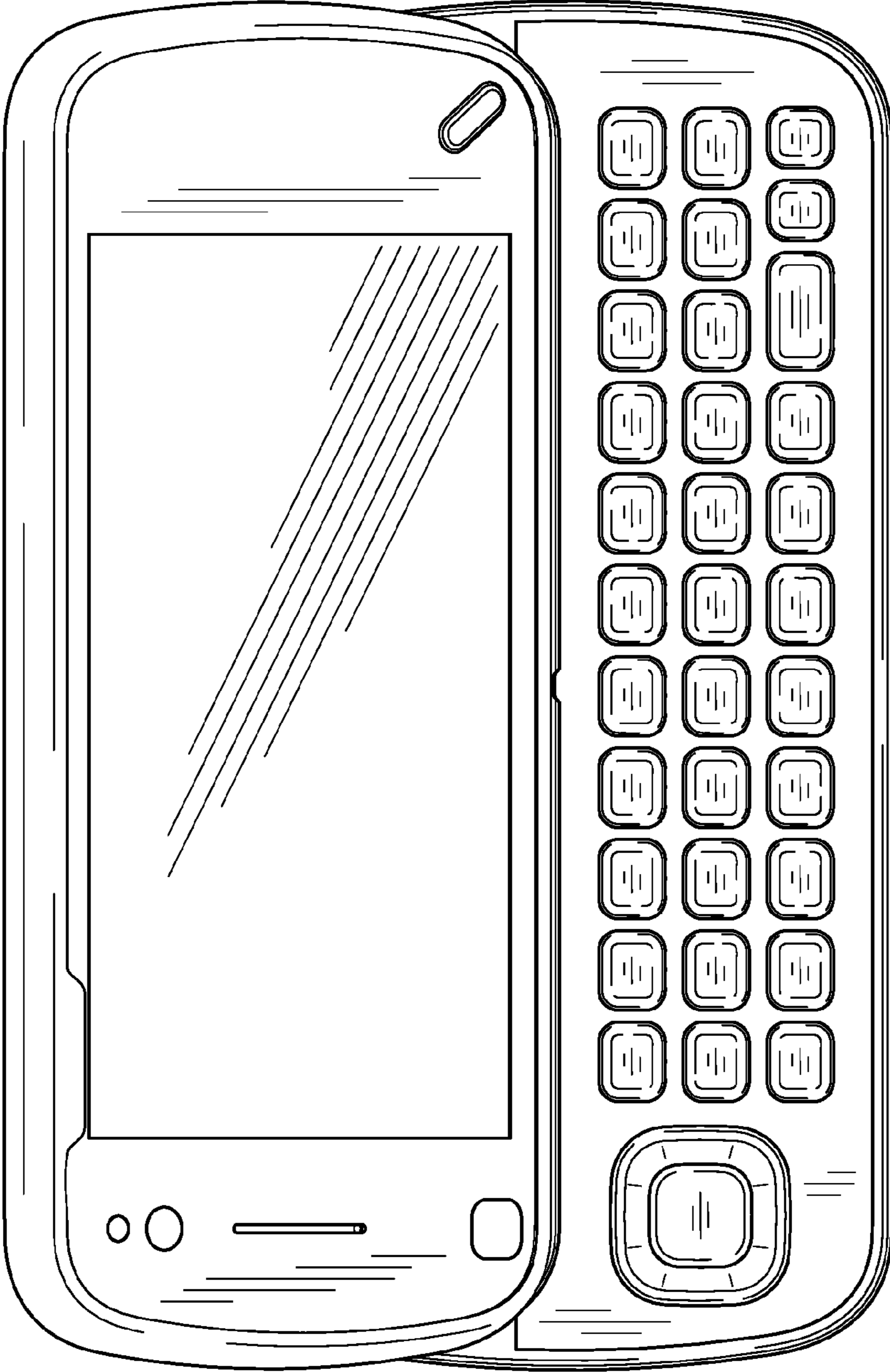


FIG. 6

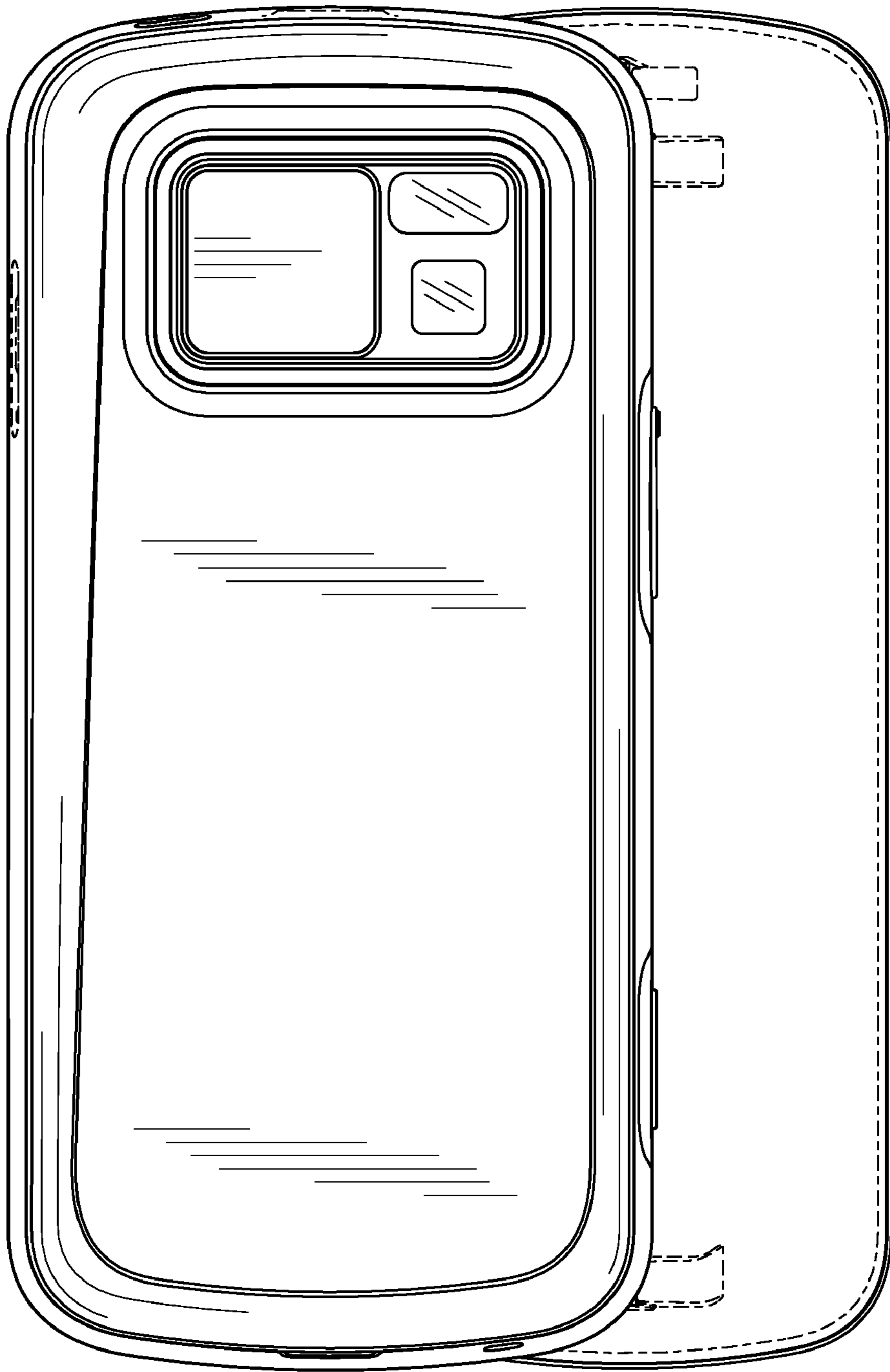


FIG. 7