

US00D602898S

(12) **United States Design Patent**  
**Li et al.**

(10) **Patent No.:** **US D602,898 S**  
(45) **Date of Patent:** **\*\* Oct. 27, 2009**

(54) **MOBILE PHONE**

(75) Inventors: **Qing-Meng Li**, Shenzhen (CN);  
**Chih-Chiang Chang**, Taipei Hsien  
(TW); **Tao Su**, Shenzhen (CN)

(73) Assignee: **FIH (Hong Kong) Limited**, Kowloon  
(HK)

(\*\*) Term: **14 Years**

(21) Appl. No.: **29/320,914**

(22) Filed: **Jul. 8, 2008**

(30) **Foreign Application Priority Data**

May 21, 2008 (CN) ..... 2008 3 0300656

(51) **LOC (9) Cl.** ..... **14-03**

(52) **U.S. Cl.** ..... **D14/138 AB**

(58) **Field of Classification Search** ..... D14/138 AB,  
D14/496, 345, 346, 203.3, 203.4, 203.7;  
455/575.3

See application file for complete search history.

(56) **References Cited**

**U.S. PATENT DOCUMENTS**

D496,016	S	*	9/2004	Hoo	.....	D14/138 AB
D537,428	S	*	2/2007	Fahlgren	.....	D14/138 AB
D537,429	S	*	2/2007	Fahlgren	.....	D14/138 AB
D546,796	S	*	7/2007	Ahn et al.	.....	D14/138 AB
D559,213	S	*	1/2008	Fahlgren et al.	.....	D14/138 AB
D559,214	S	*	1/2008	Salmi	.....	D14/138 AB
D563,349	S		3/2008	Kim et al.		
D563,361	S	*	3/2008	Moon et al.	.....	D14/138 AB
D563,365	S	*	3/2008	Kim	.....	D14/138 AB
D563,930	S	*	3/2008	Kim et al.	.....	D14/138 AB
D564,489	S	*	3/2008	Hong et al.	.....	D14/138 AB
D567,779	S	*	4/2008	Mehandjiysky et al.	.....	D14/138 AB
D568,280	S	*	5/2008	Davis	.....	D14/138 AB
D578,504	S	*	10/2008	Stillerman	.....	D14/138 AB
D584,277	S	*	1/2009	Nishikawa	.....	D14/138 AB

D586,313	S	*	2/2009	Lu	.....	D14/138 AB
D586,774	S	*	2/2009	He Wei	.....	D14/138 AB
D586,775	S	*	2/2009	Lu	.....	D14/138 AB
D586,776	S	*	2/2009	Cui et al.	.....	D14/138 AB
D592,173	S	*	5/2009	Tom	.....	D14/138 AB
2008/0004082	A1	*	1/2008	Bloebaum	.....	455/566

**OTHER PUBLICATIONS**

Nokia 6125 telephone, announced 1<sup>st</sup> quarter 2006, [online], [site visited Jun. 16, 2009]. Available from Internet ,<URL: <http://www.gsmarena.com>>.\*

(Continued)

*Primary Examiner*—Jeffrey D Asch  
(74) *Attorney, Agent, or Firm*—Steven M. Reiss

(57) **CLAIM**

The ornamental design for a mobile phone, as shown and described.

**DESCRIPTION**

FIG. 1 is a perspective view of a mobile phone showing our new design;

FIG. 2 is a front elevational view thereof;

FIG. 3 is a rear elevational view thereof;

FIG. 4 is a left side elevational view thereof;

FIG. 5 is a right side elevational view thereof;

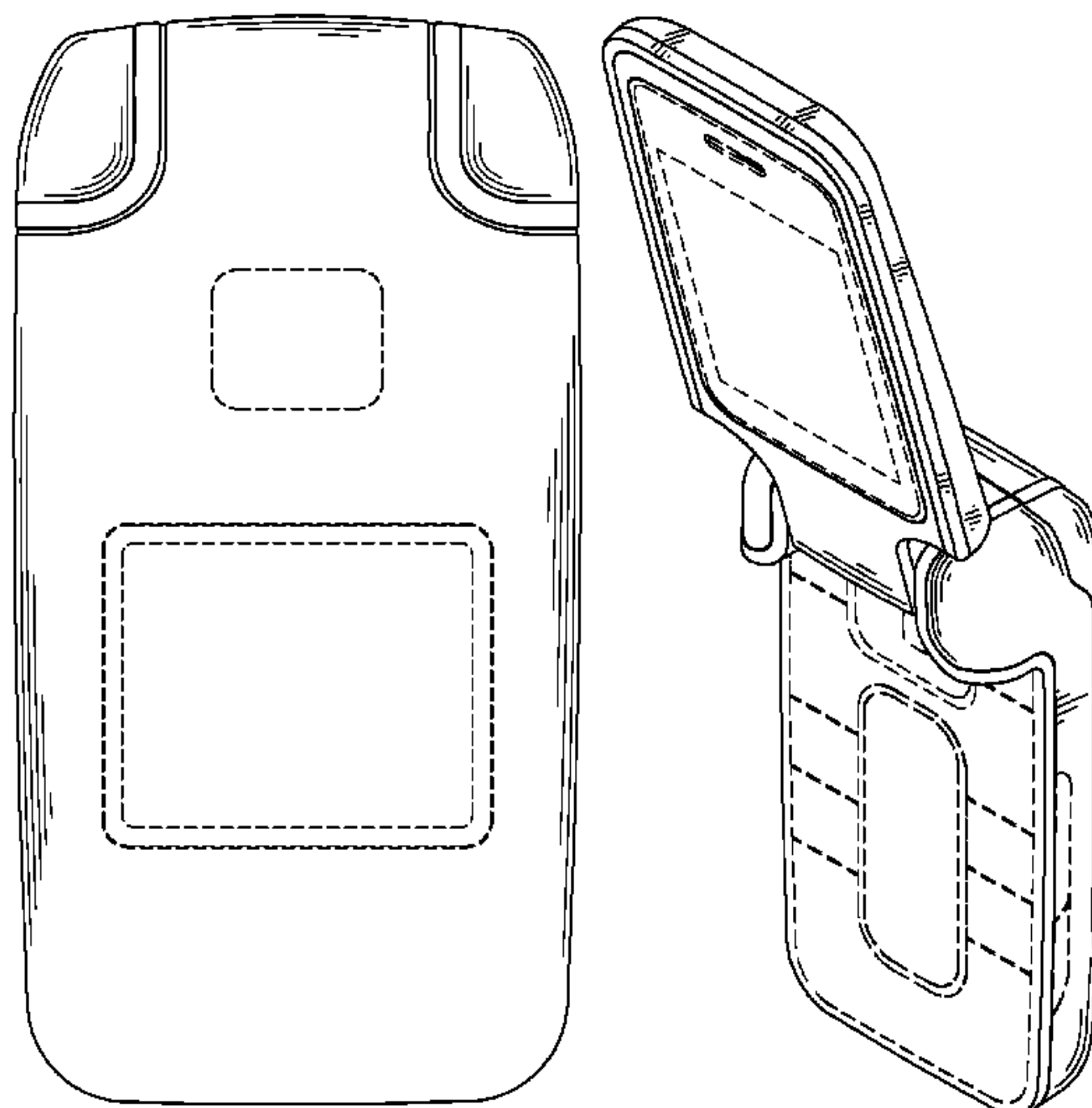
FIG. 6 is a top plan view thereof;

FIG. 7 is a bottom plan view thereof; and,

FIG. 8 is an open perspective view of the mobile phone of FIG. 1.

The broken lines shown throughout the views that are immediately adjacent to the claimed surfaces and define non-shaded regions represent the bounds of the claim, while all other broken lines are directed to environment and are for illustrative purposes only; the broken lines form no part of the claim.

**1 Claim, 8 Drawing Sheets**



OTHER PUBLICATIONS

Nokia 2760 telephone, announced May 2007, [online], [site visited Jun. 16, 2009]. Available from Internet ,<URL: <http://www.gsmarena.com>>.\*

Nokia 6101 telephone, announced 1st quarter 2005, [online], [site visited Jun. 16, 2009]. Available from Internet ,<URL: <http://www.gsmarena.com>>.\*

Nokia 6290 telephone, announced Nov. 2006, [online], [site visited Jun. 16, 2009]. Available from Internet ,<URL: <http://www.gsmarena.com>>.\*

Sagem myMobile TV 2 telephone, announced Feb. 2008, [online], [site visited Jun. 16, 2009]. Available from Internet ,<URL: <http://www.gsmarena.com>>.\*

\* cited by examiner

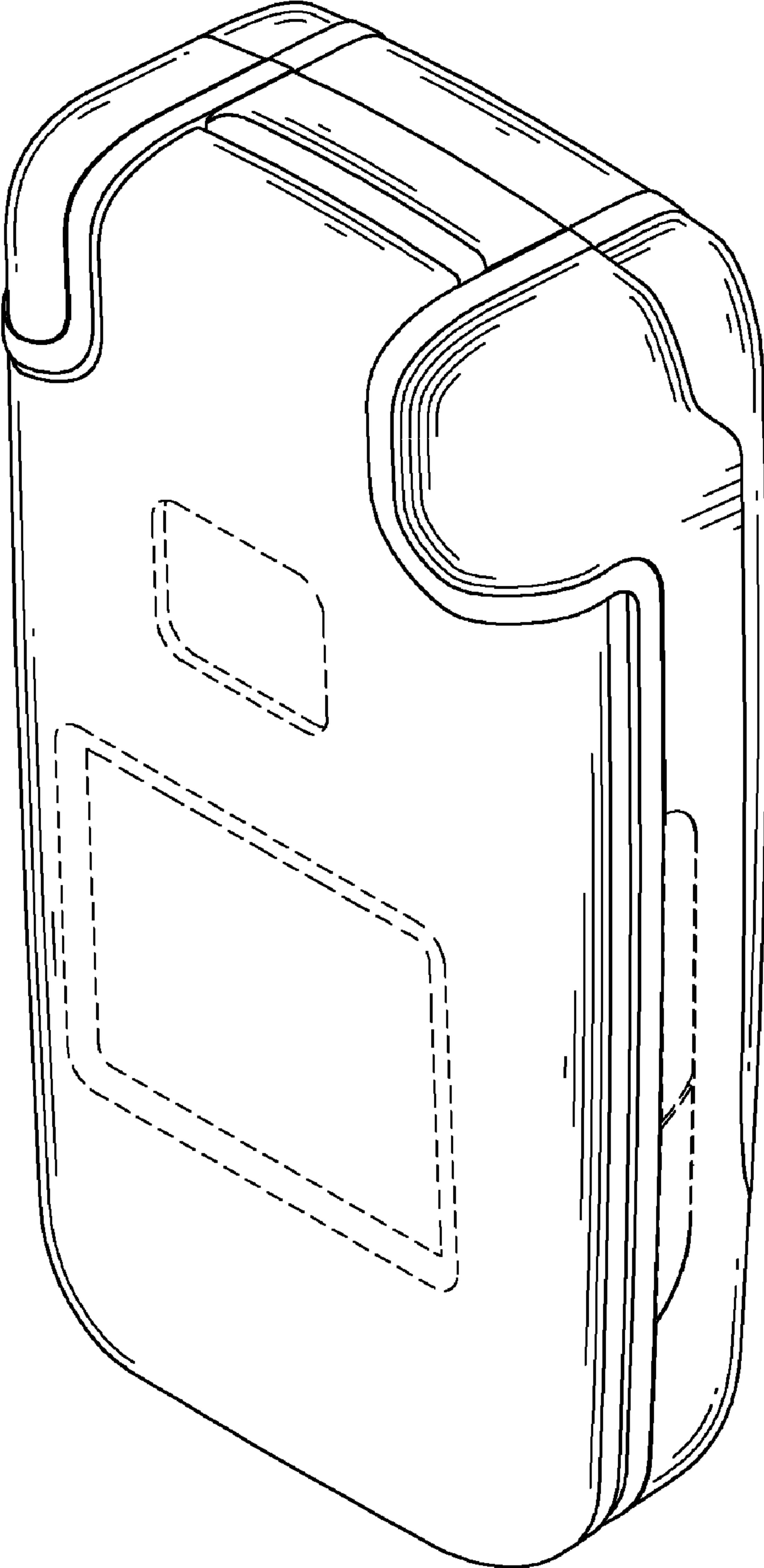


FIG. 1

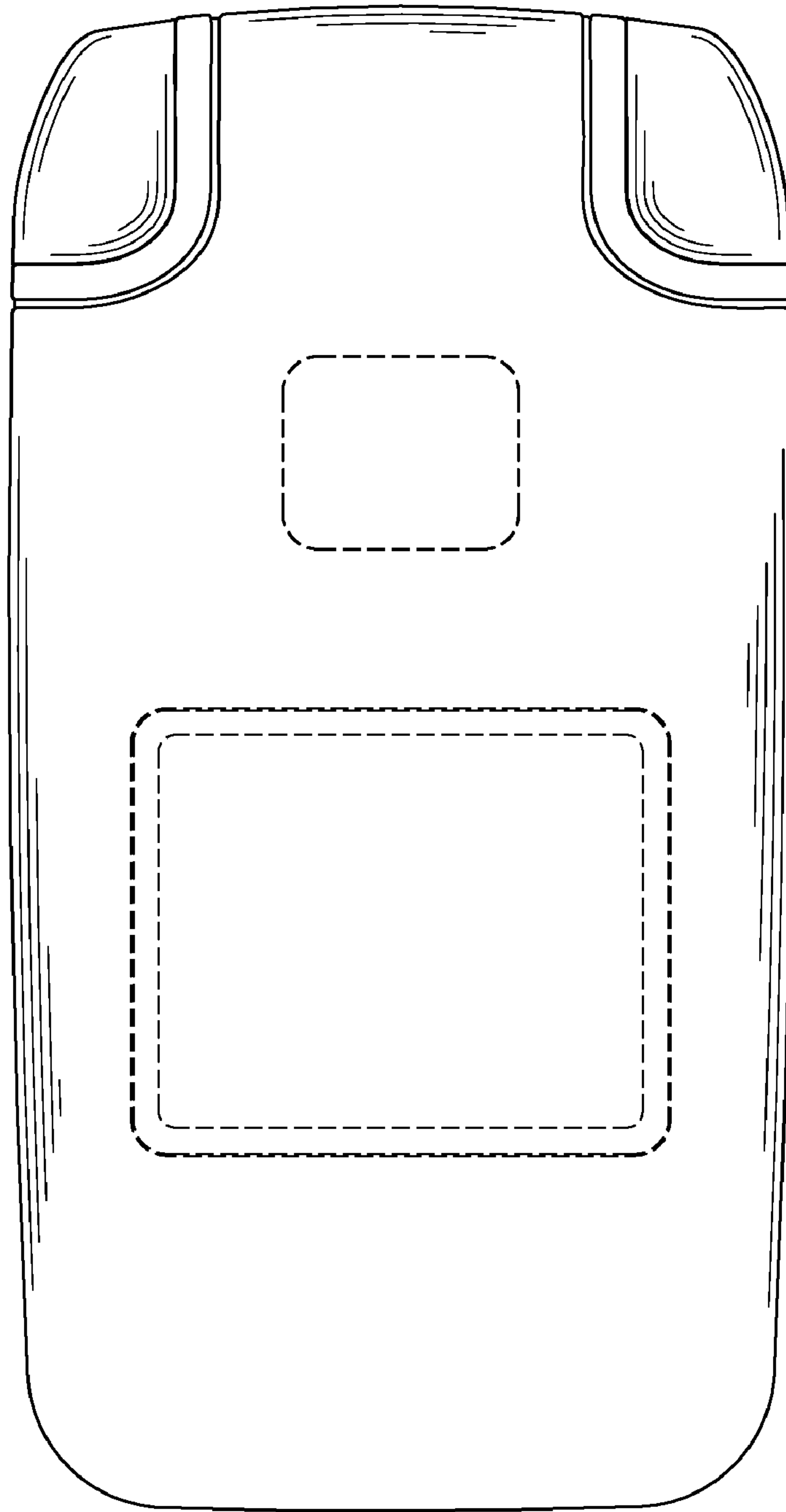


FIG. 2

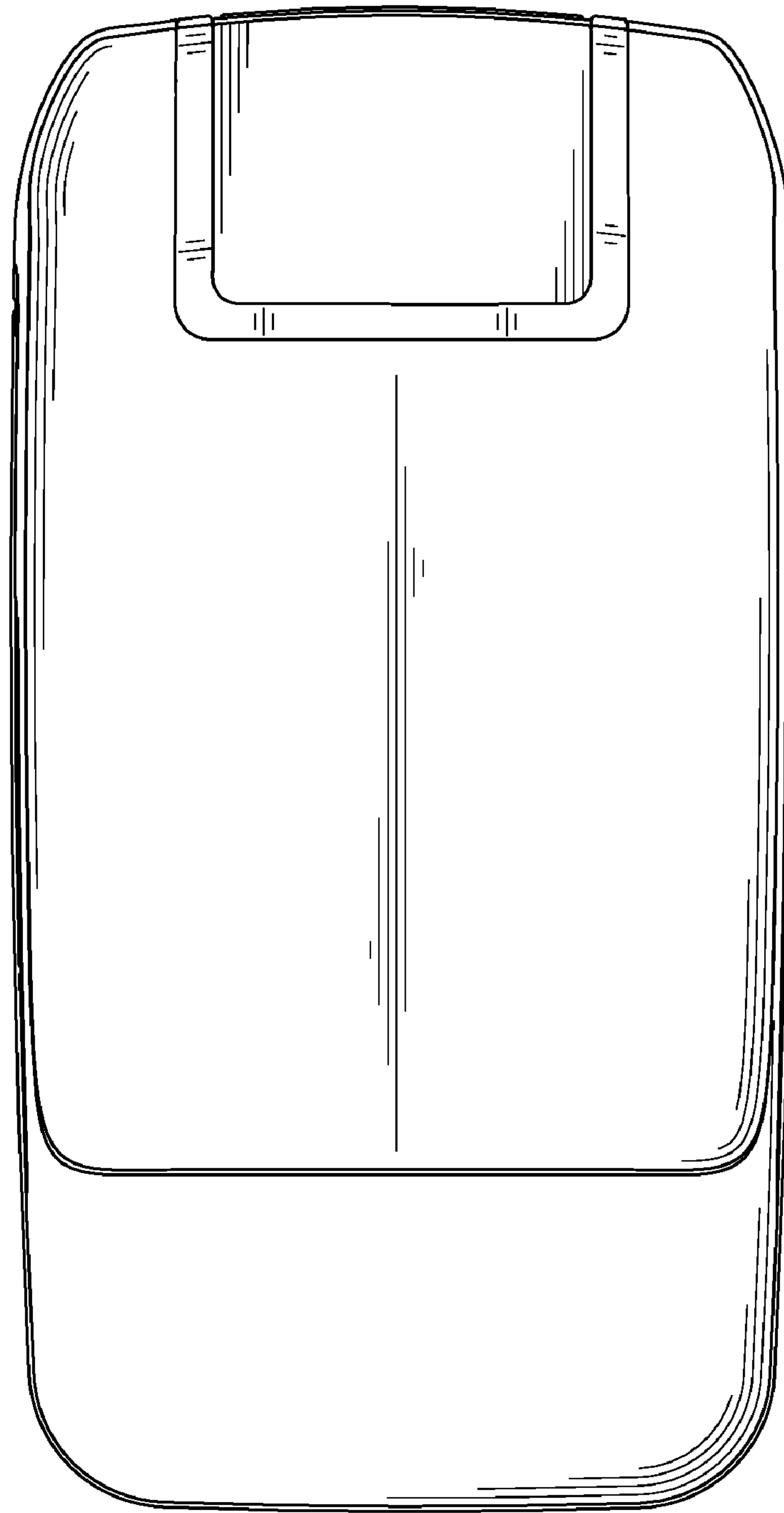


FIG. 3

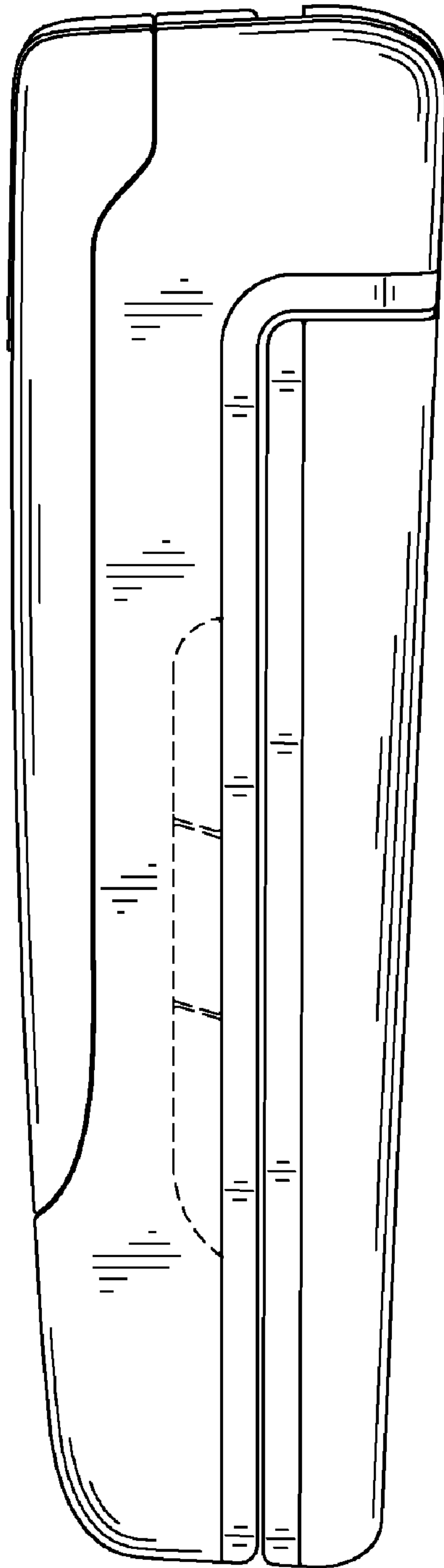


FIG. 4

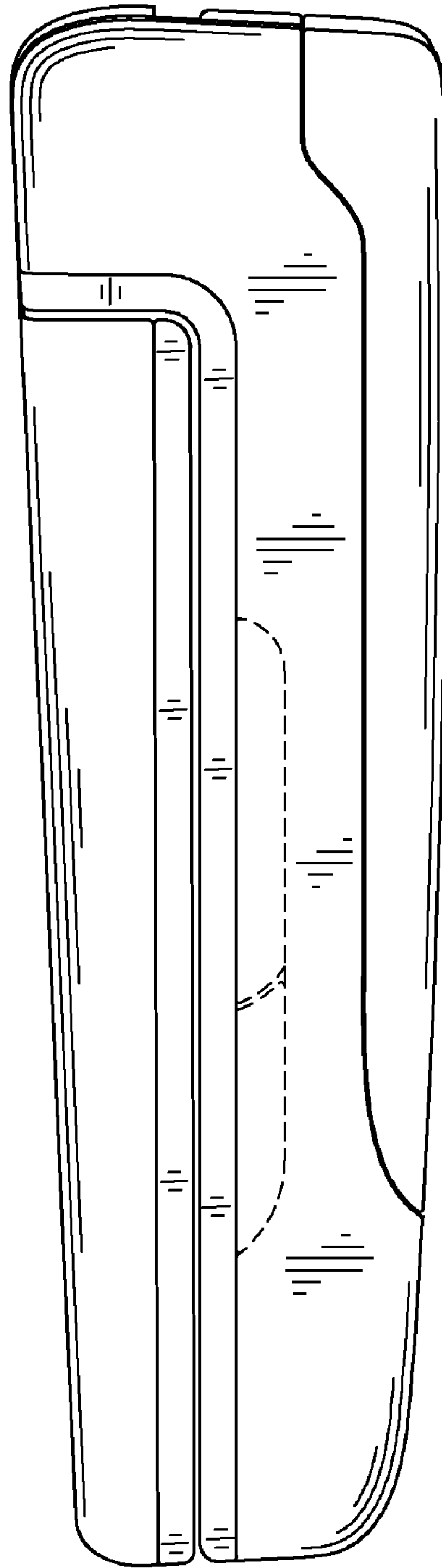


FIG. 5

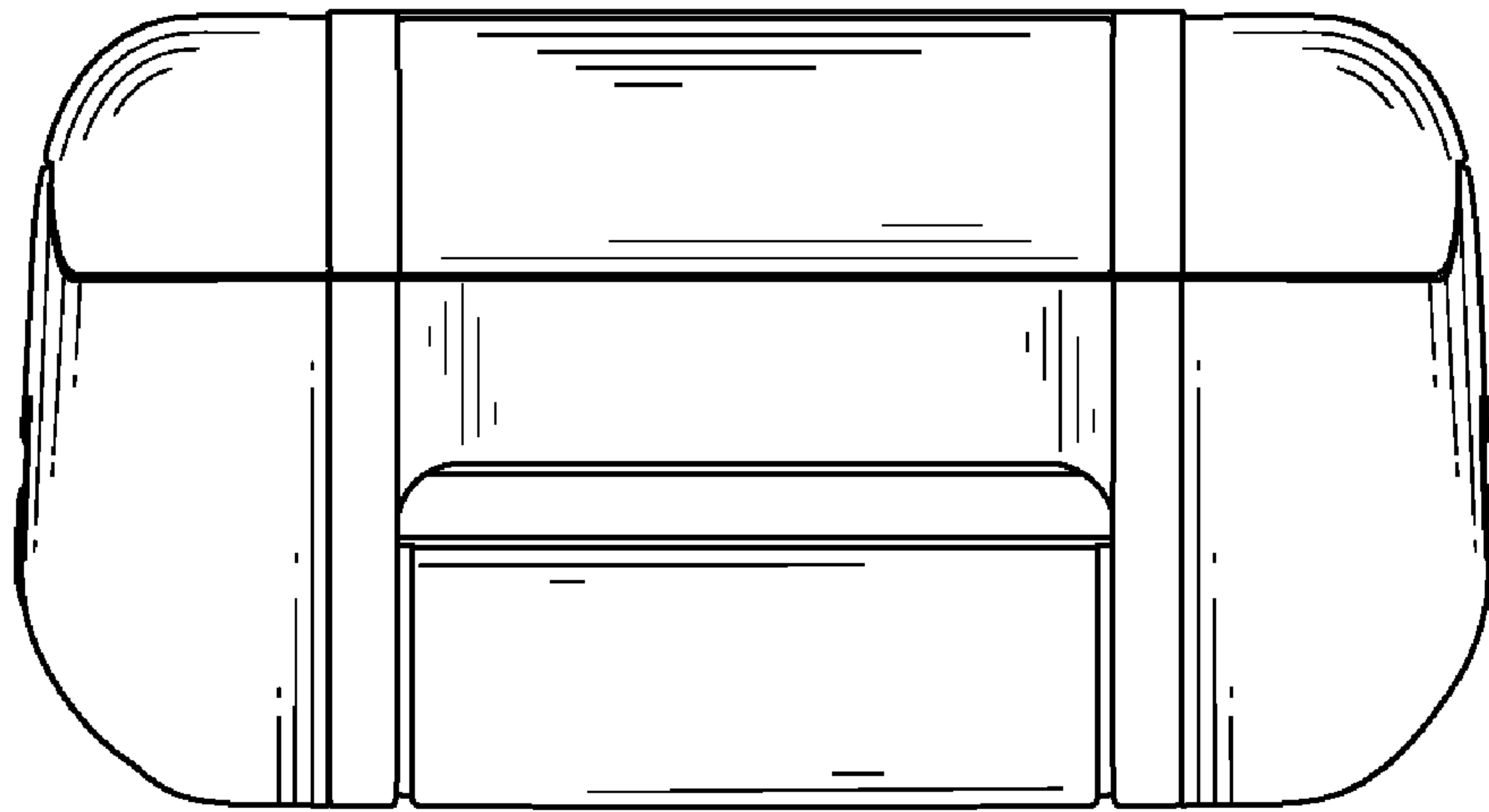


FIG. 6



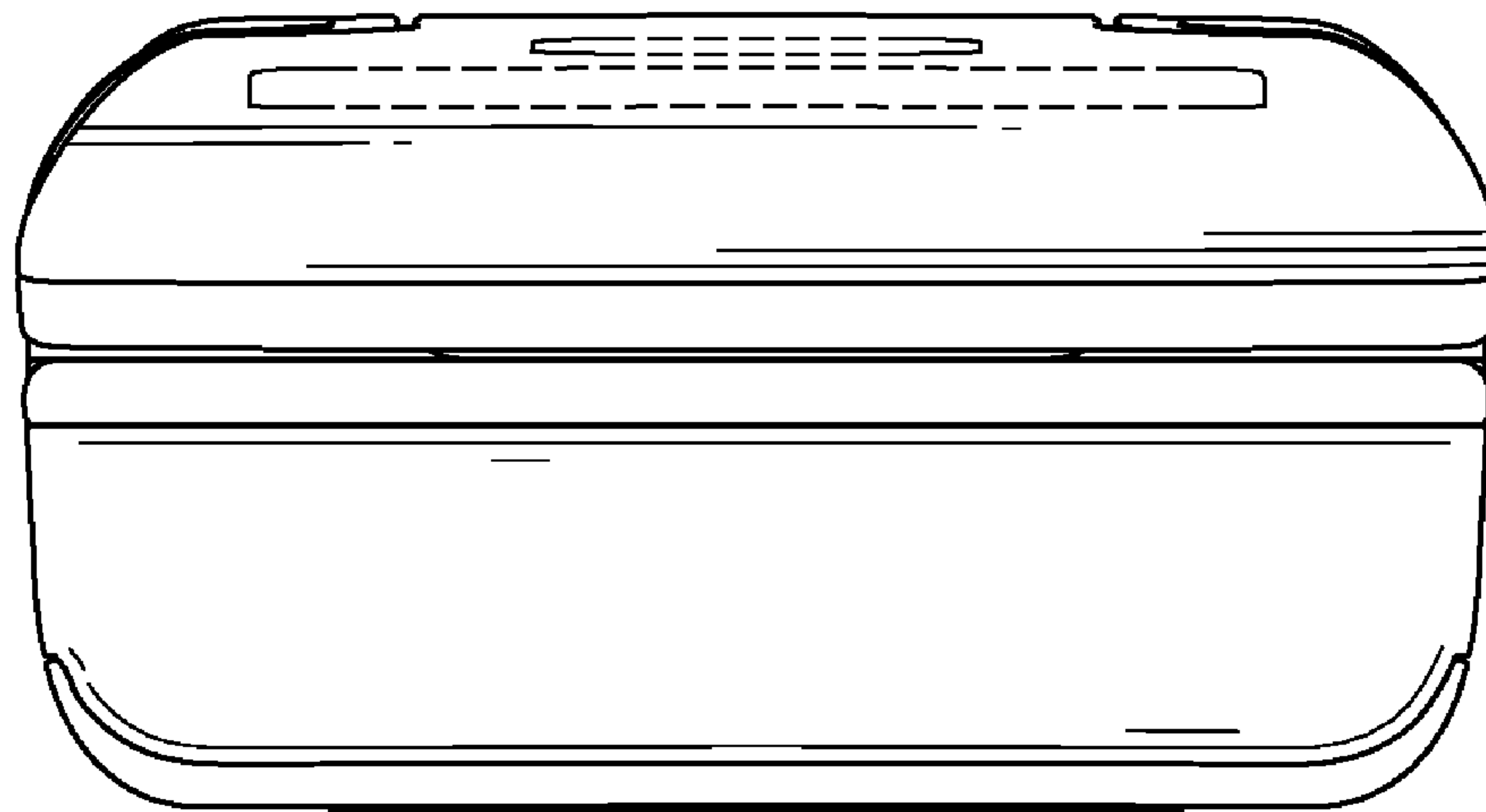


FIG. 7

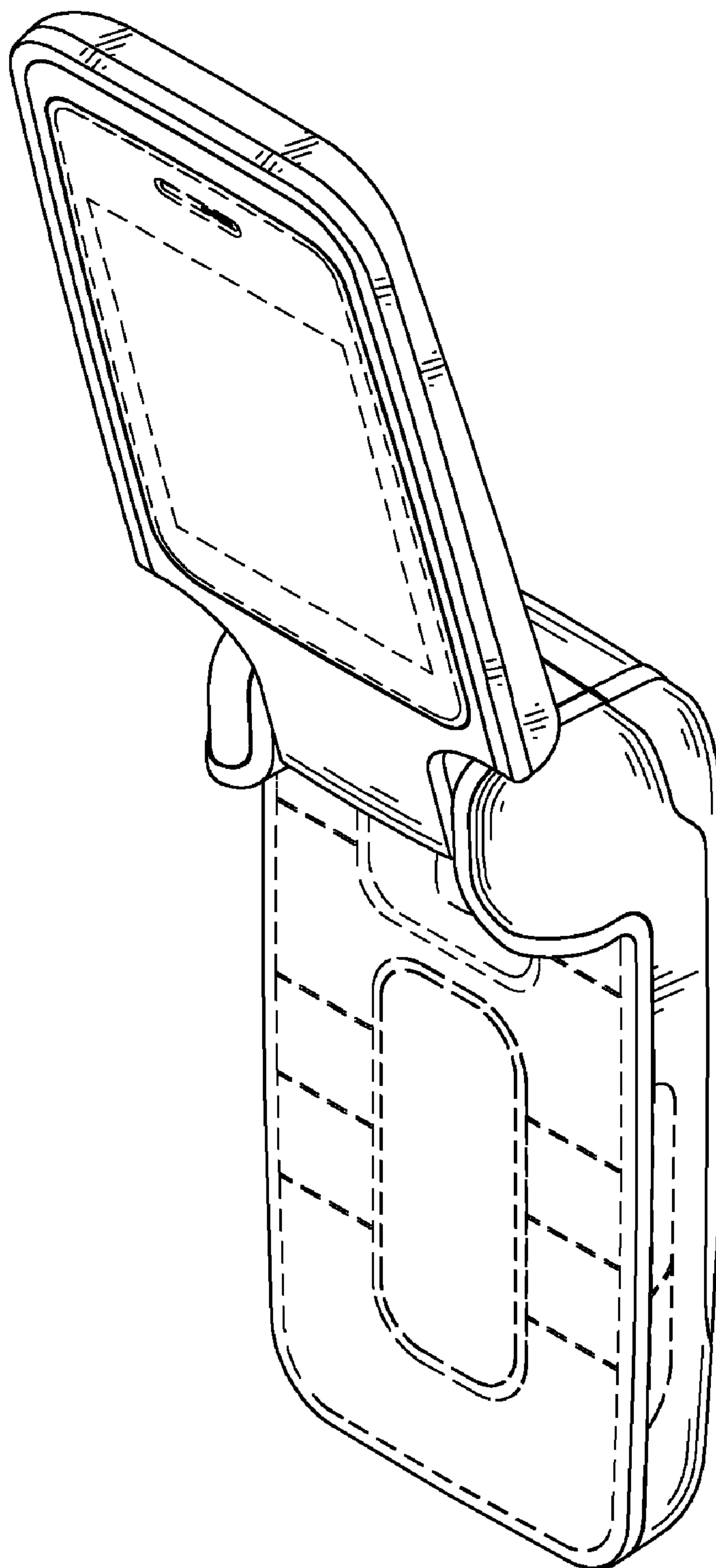


FIG. 8