



US00D602892S

(12) **United States Design Patent**
Devenish, III et al.

(10) **Patent No.:** **US D602,892 S**
(45) **Date of Patent:** **** Oct. 27, 2009**

(54) **RUGGEDIZED TWO-WAY RADIO**

(75) Inventors: **William R. Devenish, III**, Ontario, NY (US); **Michael A. Barrese**, Victor, NY (US); **Jason P. Scott**, Rochester, NY (US)

(73) Assignee: **Harris Corporation**, Melbourne, FL (US)

(**) Term: **14 Years**

(21) Appl. No.: **29/250,862**

(22) Filed: **Dec. 4, 2006**

(51) **LOC (9) Cl.** **14-03**

(52) **U.S. Cl.** **D14/137**

(58) **Field of Classification Search** D14/137, D14/138 R, 138 AA, 138 AB, 138 AC, 138 AD, D14/138 C, 138 G, 147, 191, 203.1–203.8, D14/218, 247–248, 341–347, 496, 244, 432, D14/439, 455, 456; D10/65, 78, 104; D13/168; D18/7; 455/566, 575.1, 575.3; 345/169
See application file for complete search history.

(56) **References Cited**

U.S. PATENT DOCUMENTS

D243,861 S * 3/1977 Akazawa D14/137

(Continued)

FOREIGN PATENT DOCUMENTS

WO DM/059938 * 5/2002

OTHER PUBLICATIONS

ICOMF50-F60, [online], [retrieved on Mar. 6, 2009]. Retrieved from Internet, <URL: <http://www.talktwo-way.com>>.*

Primary Examiner—Jeffrey D Asch

Assistant Examiner—Bridget L Eland

(74) *Attorney, Agent, or Firm*—Allen, Dyer, Doppelt, Milbrath & Gilchrist, P.A.

(57) **CLAIM**

The ornamental design for a ruggedized two-way radio, as shown and described.

DESCRIPTION

FIG. 1 is a front elevational view of a ruggedized two-way radio showing our new design;

FIG. 2 is a left side elevational view of the ruggedized two-way radio of FIG. 1;

FIG. 3 is a rear elevational view of the ruggedized two-way radio of FIG. 1;

FIG. 4 is a right side elevational view of the ruggedized two-way radio of FIG. 1;

FIG. 5 is a bottom plan view of the ruggedized two-way radio of FIG. 1;

FIG. 6 is a top plan view of the ruggedized two-way radio of FIG. 1;

FIG. 7 is a front elevational view of an alternative embodiment of a ruggedized two-way radio showing our new design;

FIG. 8 is a left side elevational view the ruggedized two-way radio of FIG. 7;

FIG. 9 is a rear elevational view of the ruggedized two-way radio of FIG. 7;

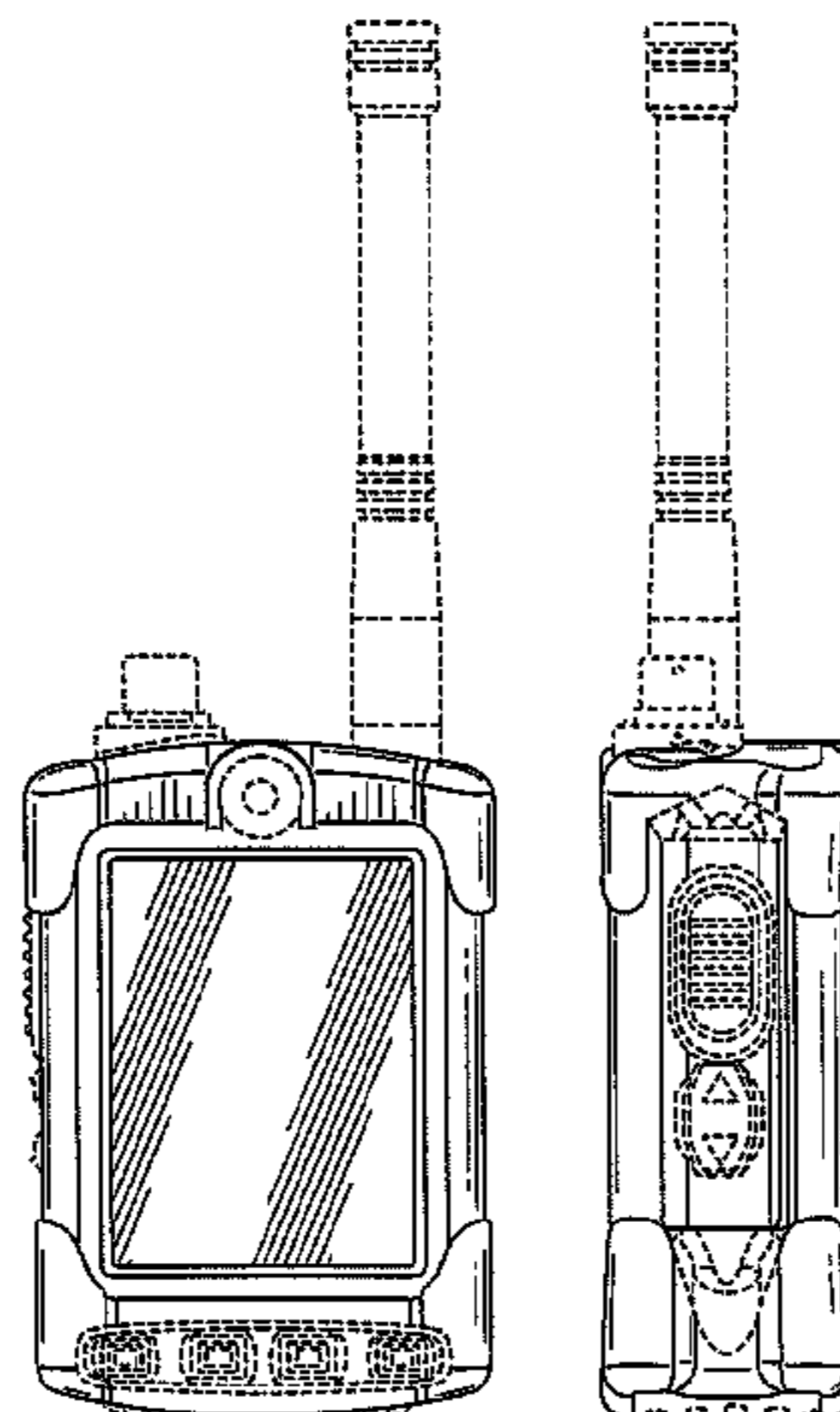
FIG. 10 is a right side elevational view the ruggedized two-way radio of FIG. 7;

FIG. 11 is a bottom plan view of the ruggedized two-way radio of FIG. 7; and,

FIG. 12 is a top plan view the ruggedized two-way radio of FIG. 7.

The broken lines immediately adjacent the shaded areas represent the bounds of the claimed design while all the other broken lines are directed to environment and are for illustrative purposes only; the broken lines form no part of the claimed design.

1 Claim, 6 Drawing Sheets



US D602,892 S

Page 2

U.S. PATENT DOCUMENTS

D309,136 S	7/1990	Siddoway	D14/137	D444,086 S *	6/2001	Wrisley et al.	D10/78
D322,251 S	12/1991	Siddoway	D14/137	D456,804 S *	5/2002	Fisher et al.	D14/341
5,077,832 A *	12/1991	Szczutkowski et al.	455/566	D464,948 S *	10/2002	Vasquez et al.	D14/218
D346,793 S *	5/1994	Iino et al.	D14/341	D464,961 S *	10/2002	Sogabe	D14/346
D347,425 S *	5/1994	Culbertson et al.	D14/137	D488,478 S *	4/2004	Laverick et al.	D14/439
D350,347 S	9/1994	Tracy et al.	D14/137	D490,786 S *	6/2004	Richards et al.	D14/137
D351,383 S	10/1994	Richards et al.	D14/137	D493,776 S *	8/2004	Esslinger et al.	D14/137
D378,678 S	4/1997	Tyneski et al.	D14/137	D516,554 S *	3/2006	Richardson et al.	D14/341
D384,059 S	9/1997	Hockenberry et al.	D14/137	D538,819 S *	3/2007	Geng et al.	D14/203.7
D384,661 S *	10/1997	Burrell et al.	D14/137	D540,764 S *	4/2007	Kaner et al.	D14/137
D387,765 S *	12/1997	Brassard	D14/217	D554,608 S *	11/2007	Mukai et al.	D14/137
D393,260 S *	4/1998	Yahaya	D14/137	D561,143 S *	2/2008	Mukai et al.	D14/137
D410,486 S *	6/1999	Takahata et al.	D14/345	D569,358 S *	5/2008	Devenish et al.	D14/137
D416,253 S *	11/1999	Hibino	D14/138 G	D576,124 S *	9/2008	Nishizawa	D14/137
6,041,243 A *	3/2000	Davidson et al.	455/575.1	D576,980 S *	9/2008	Onoue	D14/137
D430,147 S *	8/2000	Willkens et al.	D14/240	D587,708 S *	3/2009	Yoshida et al.	D14/358

* cited by examiner

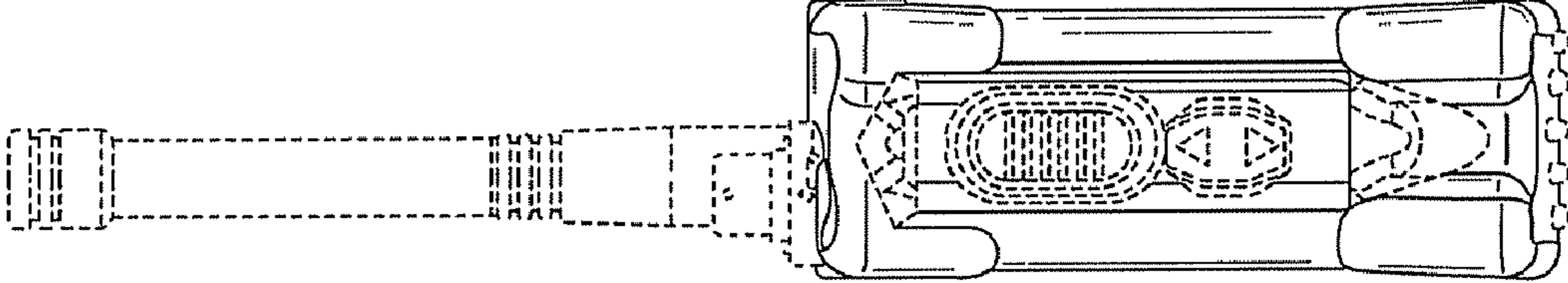


FIG. 2

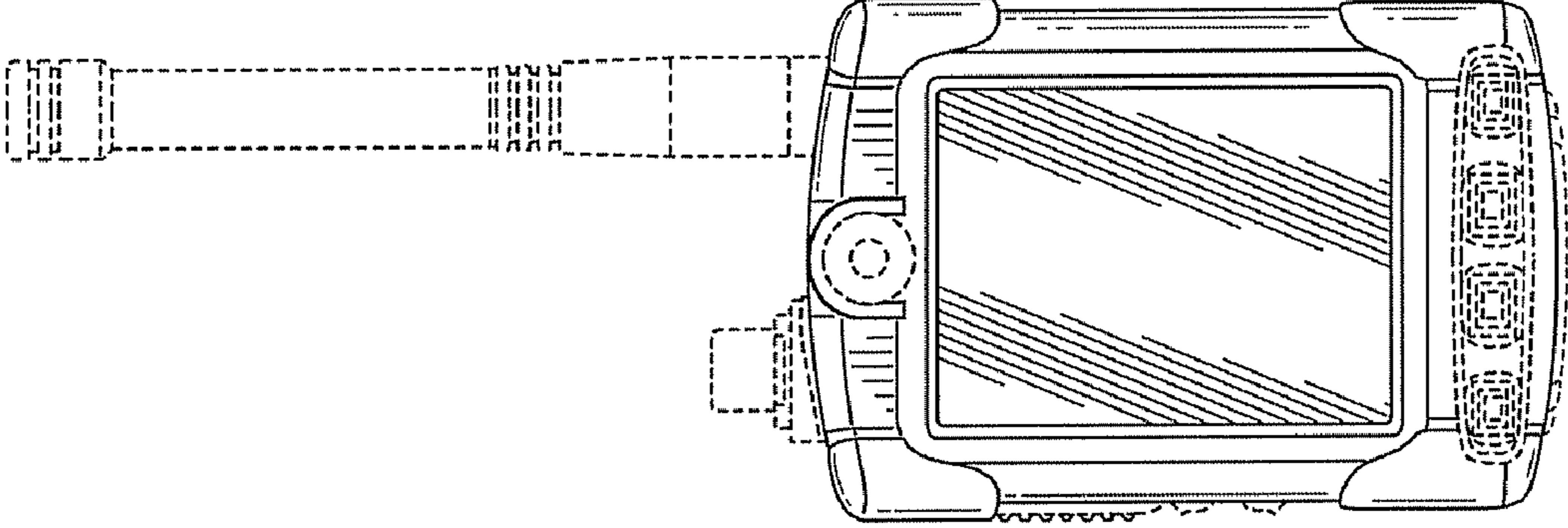


FIG. 1

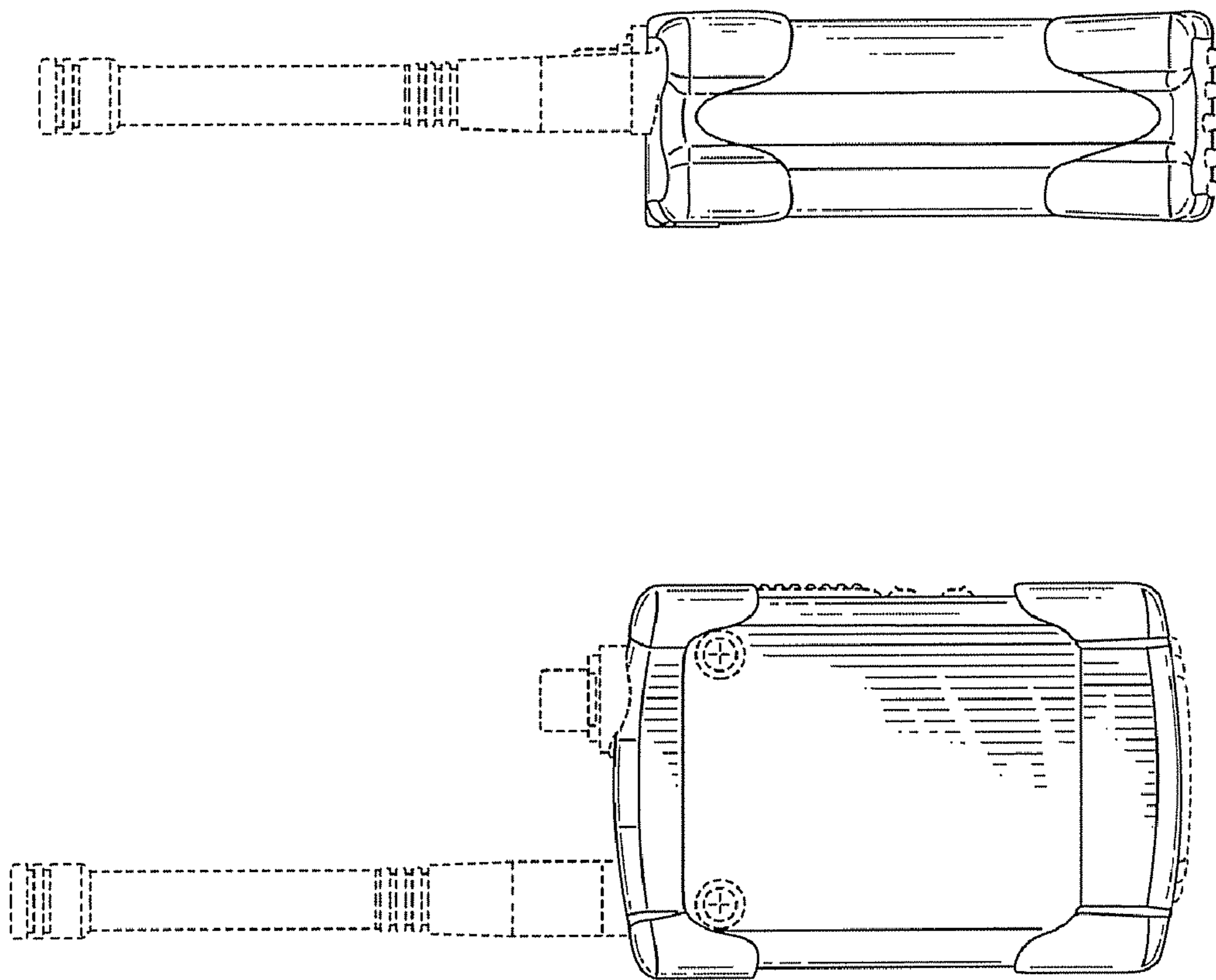


FIG. 4

FIG. 3

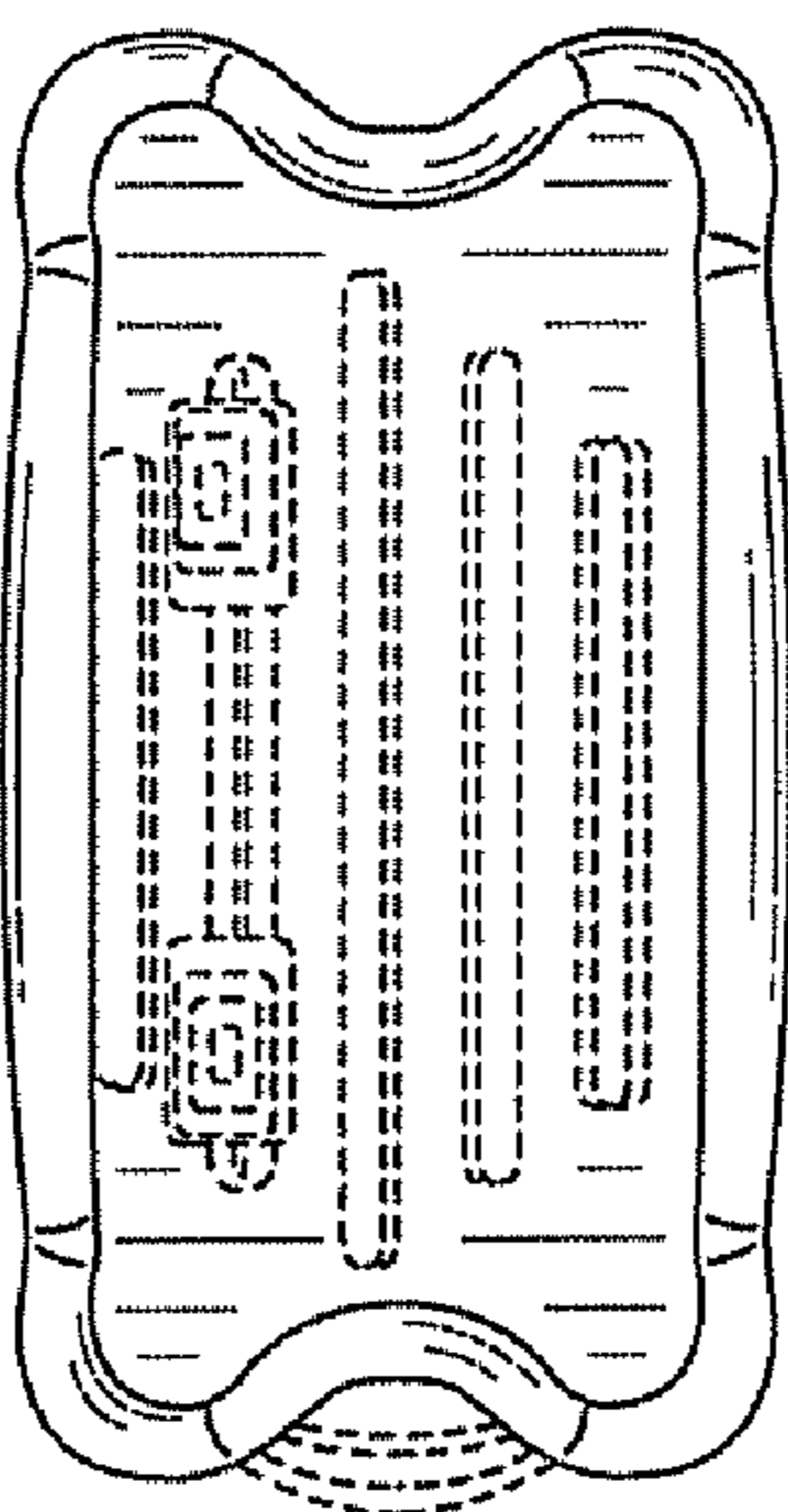


FIG. 5

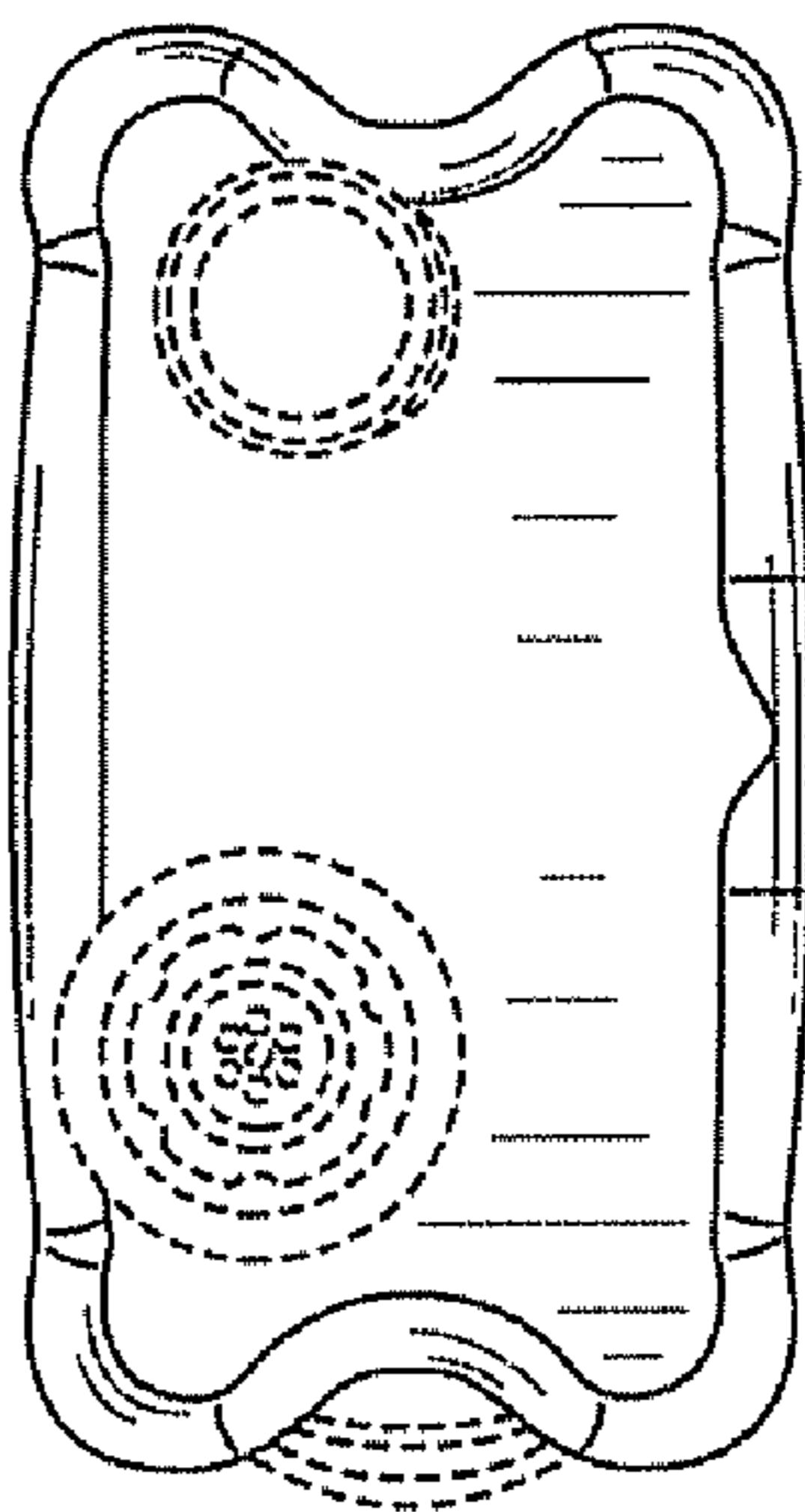


FIG. 6

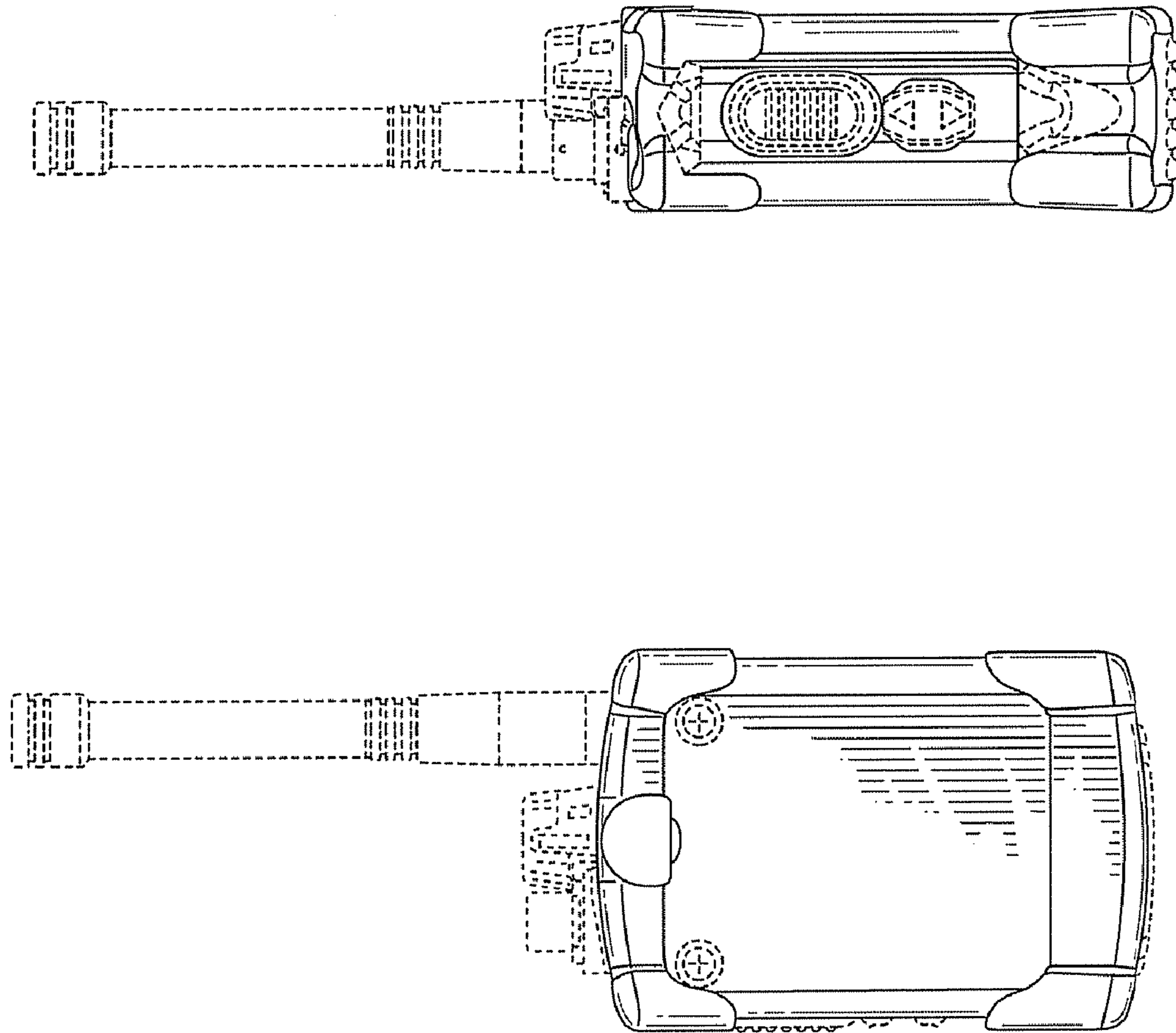


FIG. 8

FIG. 7

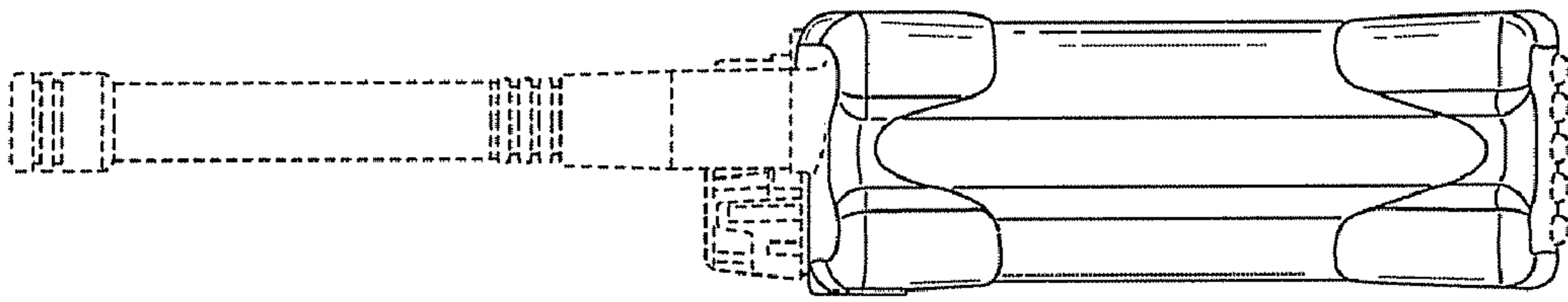


FIG. 10

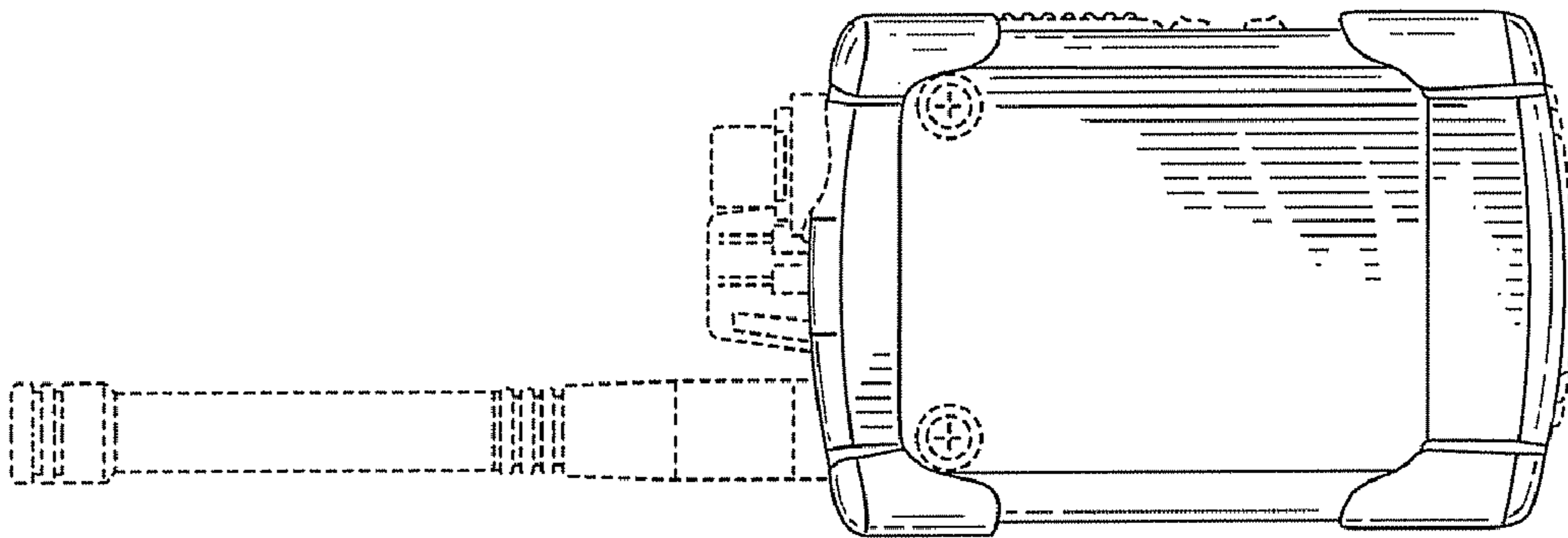


FIG. 9

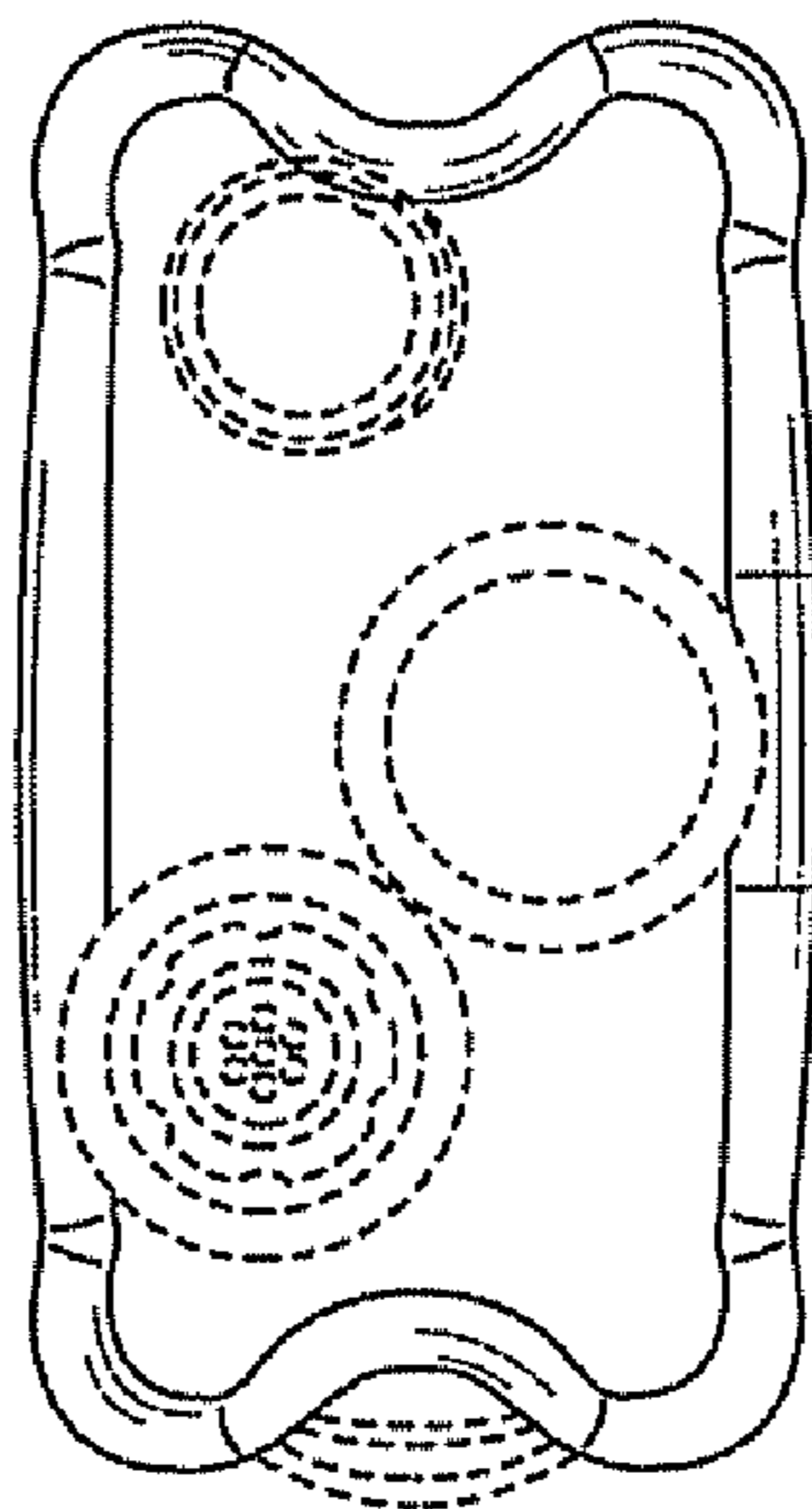


FIG. 12

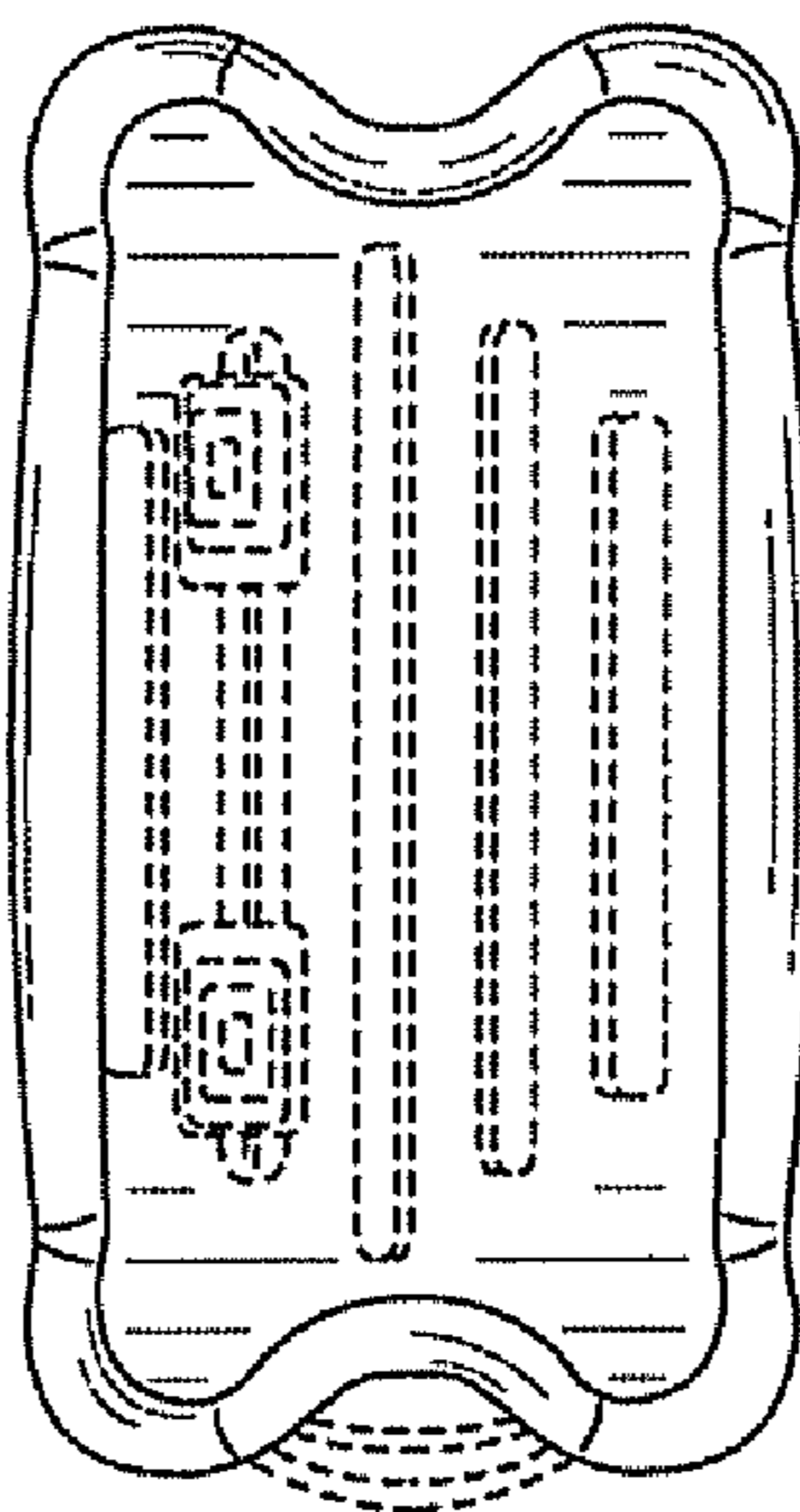


FIG. 11