



US00D602891S

(12) **United States Design Patent**
Luo

(10) **Patent No.:** **US D602,891 S**
(45) **Date of Patent:** **** Oct. 27, 2009**

(54) **SET-TOP BOX**

(75) Inventor: **Ting Luo**, Shenzhen (CN)

(73) Assignee: **Hon Hai Precision Industry Co., Ltd.**,
Tu-Cheng, Taipei Hsien (TW)

(**) Term: **14 Years**

(21) Appl. No.: **29/337,027**

(22) Filed: **May 13, 2009**

(30) **Foreign Application Priority Data**

Mar. 13, 2009 (CN) 2009 3 0301185

(51) **LOC (9) Cl.** **14-03**

(52) **U.S. Cl.** **D14/125**

(58) **Field of Classification Search** D14/125-134,
D14/239, 371, 136, 374-377; 312/7.2; 348/836,
348/838, 180, 184, 325, 739; 341/12; 248/917-924,
248/465, 123.11; 345/104, 133, 156, 168,
345/87, 173, 169; 349/1, 2, 11, 62; 720/605,
720/669, 600, 655, 99, 197; 455/344-347
See application file for complete search history.

(56) **References Cited**

U.S. PATENT DOCUMENTS

D309,728 S * 8/1990 Nuttall et al. D14/356
D534,545 S * 1/2007 Leija et al. D14/496
D538,795 S * 3/2007 Wong et al. D14/240
D542,784 S * 5/2007 Franck et al. D14/240

D558,788 S * 1/2008 Yu et al. D14/496
D559,861 S * 1/2008 Andre et al. D14/496
D560,228 S * 1/2008 Andre et al. D14/496
D569,389 S * 5/2008 Andre et al. D14/496
D579,931 S * 11/2008 Chang D14/242
D593,971 S * 6/2009 Kim et al. D14/125
D593,972 S * 6/2009 Cho et al. D14/125

* cited by examiner

Primary Examiner—Raphael Barkai
Assistant Examiner—Randall H Gholson
(74) *Attorney, Agent, or Firm*—Frank R. Niranjan

(57) **CLAIM**

The ornamental design for set-top box, as shown.

DESCRIPTION

FIG. 1 is a perspective view of set-top box showing my design;

FIG. 2 is a front elevational view thereof;

FIG. 3 is a rear elevational view thereof;

FIG. 4 is a left side, elevational view thereof;

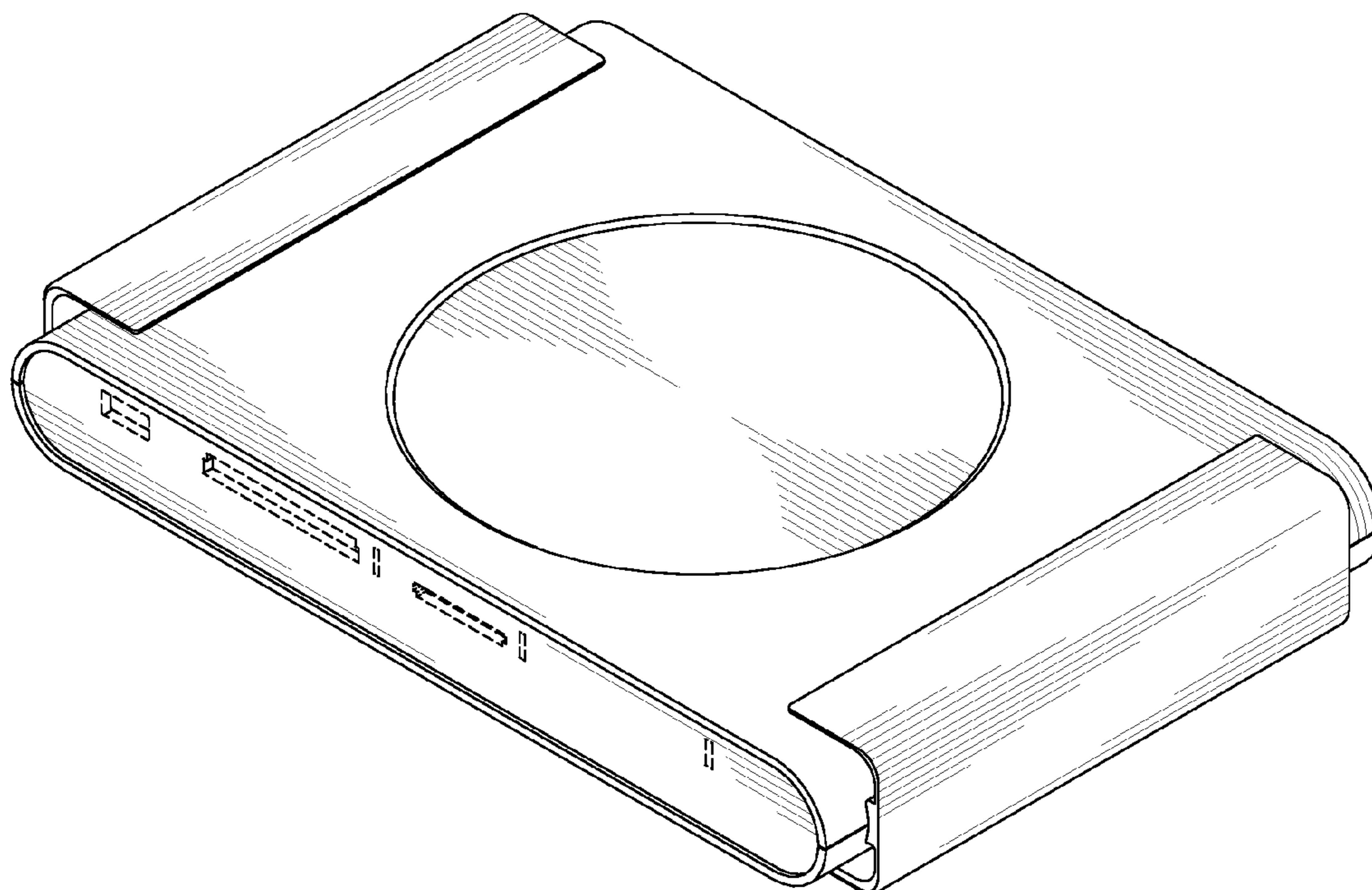
FIG. 5 is a right side, elevational view thereof;

FIG. 6 is a top plan view thereof; and,

FIG. 7 is a bottom plan view thereof.

(The broken lines are shown for the purpose of illustration only and form no part of the claimed design.)

1 Claim, 7 Drawing Sheets



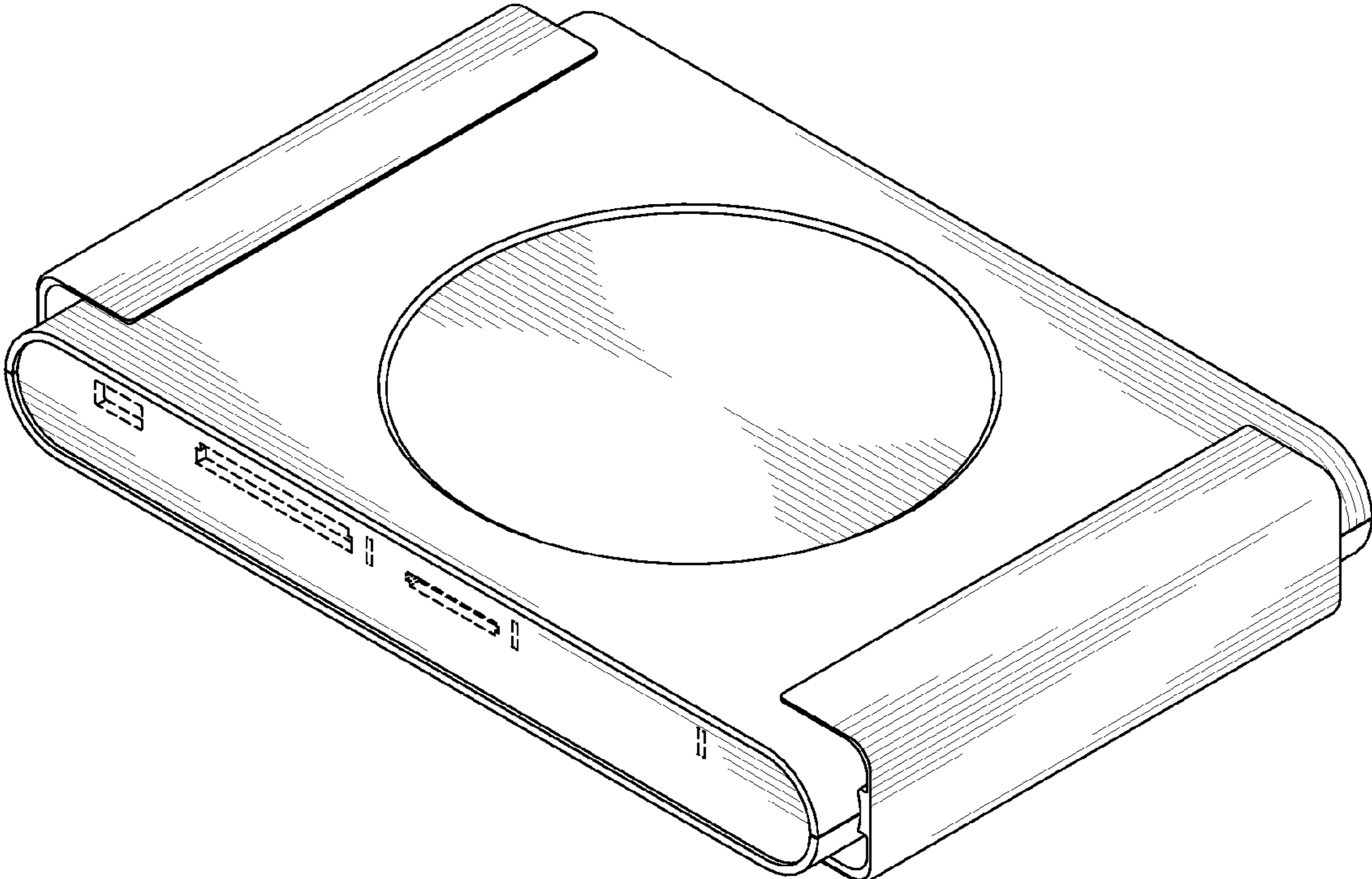


FIG. 1

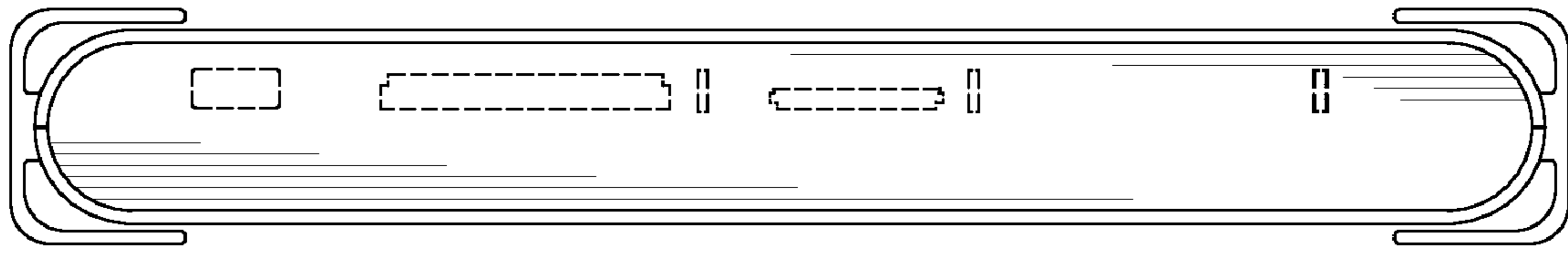


FIG. 2

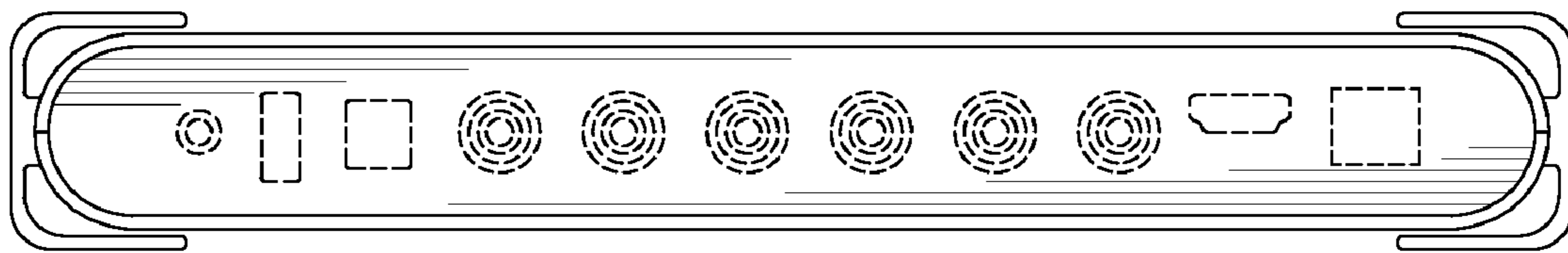


FIG. 3

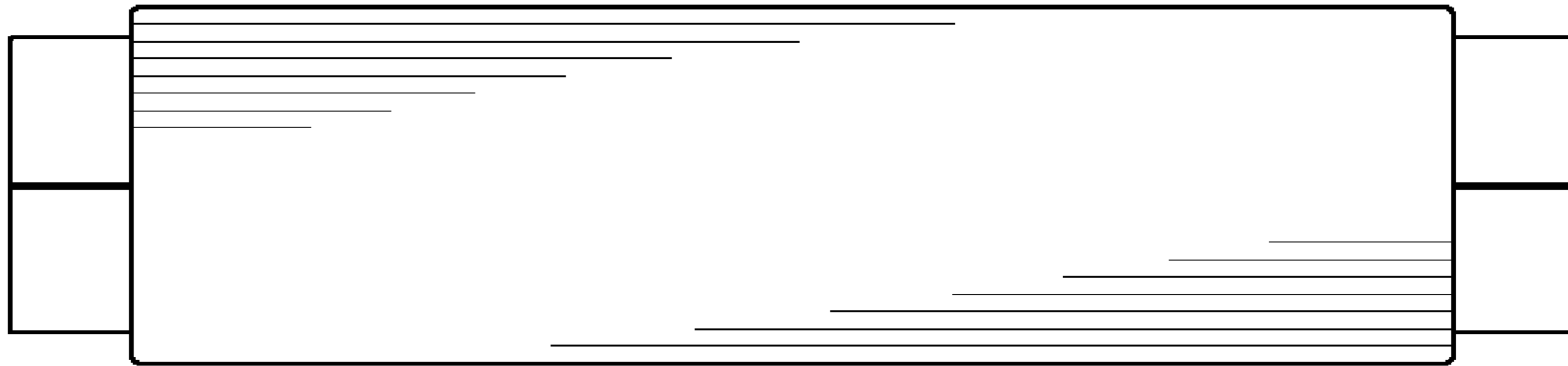


FIG. 4

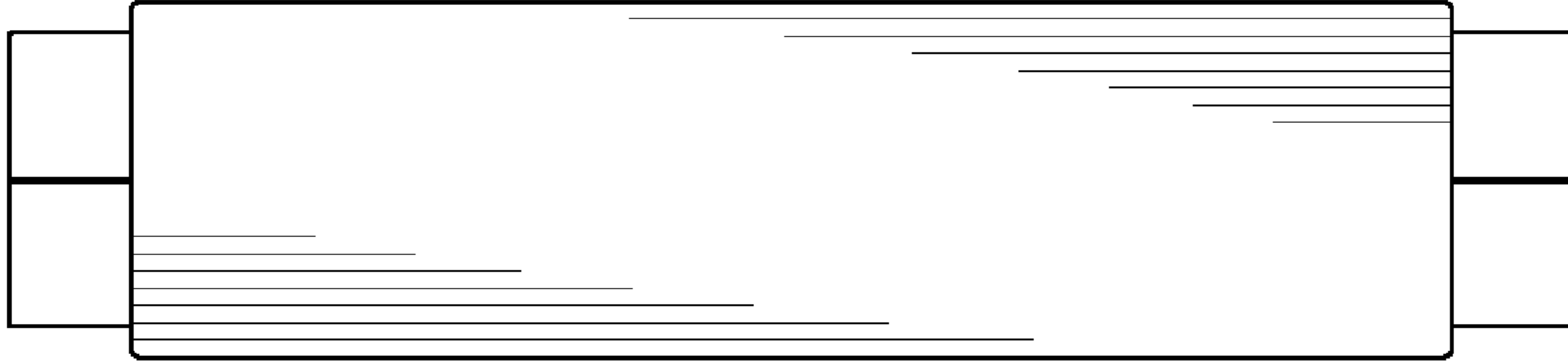


FIG. 5

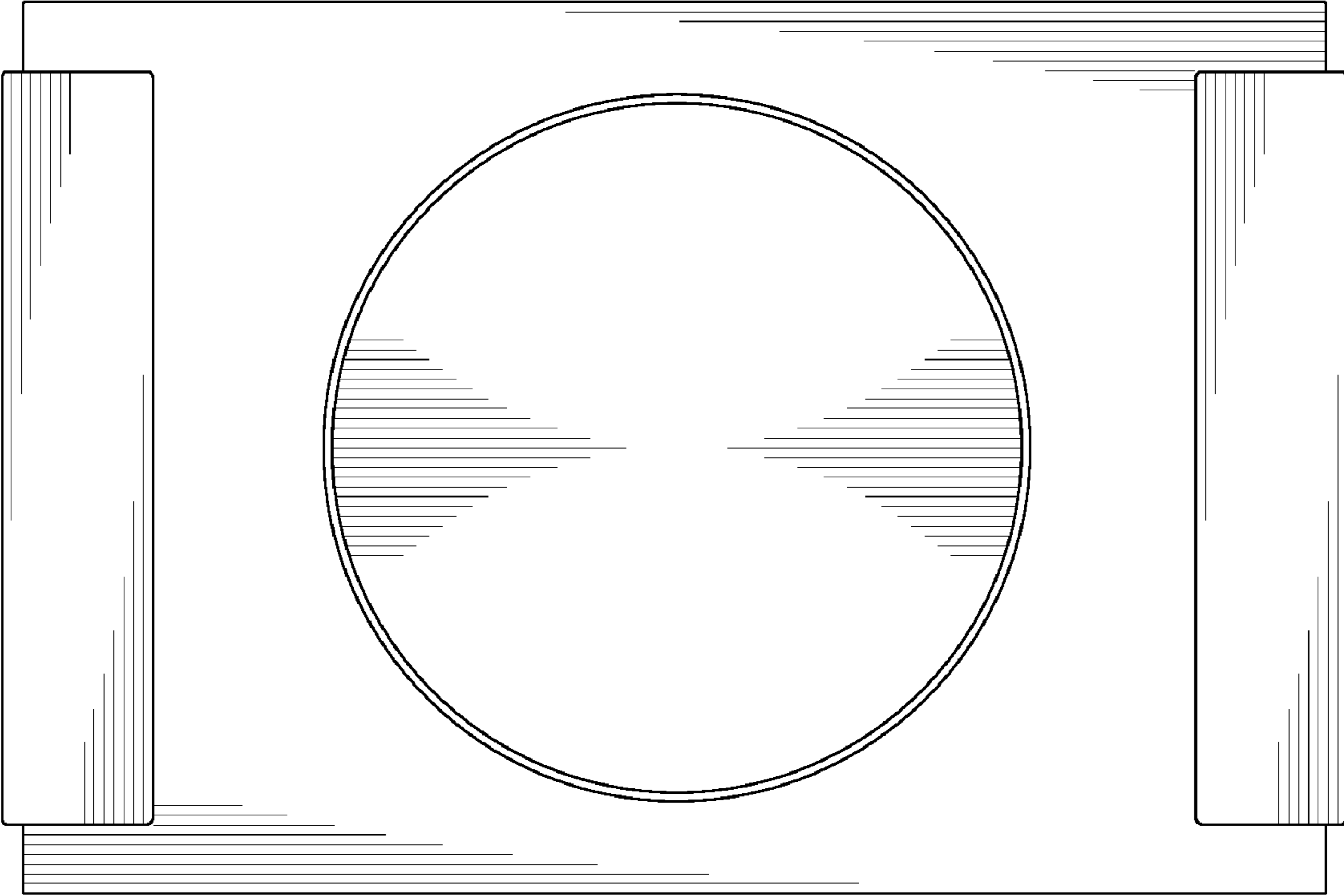


FIG. 6

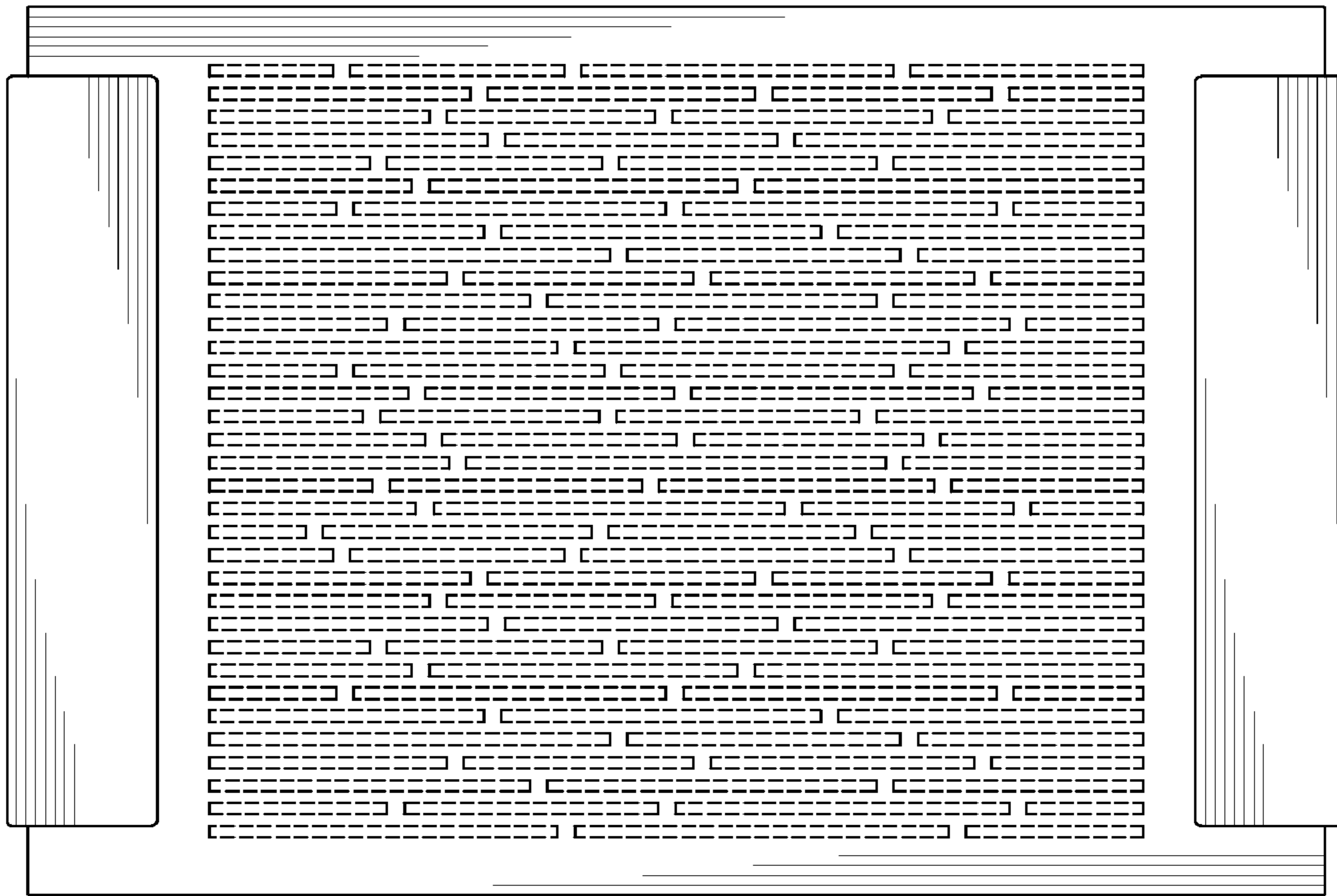


FIG. 7