



US00D602889S

(12) **United States Design Patent**  
**Cho et al.**

(10) **Patent No.:** **US D602,889 S**  
(45) **Date of Patent:** **\*\* Oct. 27, 2009**

(54) **SET TOP BOX**

(75) Inventors: **Chul-Yong Cho**, Seoul (KR);  
**Kyung-Hoon Lee**, Seoul (KR);  
**Dae-Joung Kim**, Seoul (KR); **Bum-Ho Chun**, Seoul (KR)

(73) Assignee: **Samsung Electronics Co., Ltd.**, Suwon, Kyunggi-do (KR)

(\*\*) Term: **14 Years**

(21) Appl. No.: **29/313,616**

(22) Filed: **Jan. 27, 2009**

(51) **LOC (9) Cl.** ..... **14-03**

(52) **U.S. Cl.** ..... **D14/125**

(58) **Field of Classification Search** ..... D14/125–134,  
D14/239, 371, 136, 374–377; 312/7.2; 348/836,  
348/838, 180, 184, 325, 739; 341/12; 248/917–924,  
248/465, 123.11; 345/104, 133, 156, 168,  
345/87, 173, 169; 349/1, 2, 11, 62; 720/605,  
720/669, 600, 655, 99, 197; 455/344–347  
See application file for complete search history.

(56) **References Cited**

**U.S. PATENT DOCUMENTS**

- D380,447 S \* 7/1997 Chen et al. .... D13/164
- D441,375 S \* 5/2001 Hisatsune et al. .... D14/496
- D466,875 S \* 12/2002 Kita ..... D14/125
- D469,066 S \* 1/2003 Takahashi ..... D14/125
- D483,729 S \* 12/2003 Huang et al. .... D14/506
- D529,879 S 10/2006 Park et al.
- D533,157 S 12/2006 Park
- D541,811 S 5/2007 Park
- D544,455 S 6/2007 Park et al.
- D545,774 S 7/2007 Woo et al.
- D551,183 S 9/2007 Park et al.
- D560,176 S 1/2008 Woo
- D560,177 S 1/2008 Chun et al.
- D560,689 S 1/2008 Cho
- D567,193 S 4/2008 Kang et al.
- D571,741 S \* 6/2008 Cha et al. .... D14/125
- D571,754 S 6/2008 Cho et al.

- D574,793 S 8/2008 Kim et al.
- D584,254 S 1/2009 Jeon et al.
- D584,701 S 1/2009 Kim et al.
- D585,395 S 1/2009 Cho et al.
- D587,223 S 2/2009 Chun
- D587,224 S 2/2009 Chun et al.
- D588,559 S \* 3/2009 Kim et al. .... D14/125

**OTHER PUBLICATIONS**

- U.S. Appl. No. 29/310,033, Applicant: Dae-Joung Kim, et al., filed Jul. 23, 2008 entitled Set Top Box.
- U.S. Appl. No. 29/308,614, Applicant: Sang-Sung Woo, et al., filed Jun. 26, 2008 entitled Set Top Box.
- U.S. Appl. No. 29/308,615, Applicant: Dae-Joung Kim, et al., filed Jun. 26, 2008 entitled Set Top Box.
- U.S. Appl. No. 29/313,282, Applicant: Dae-Joung Kim et al., filed Dec. 23, 2008 entitled Set Top Box.

(Continued)

*Primary Examiner*—Raphael Barkai  
*Assistant Examiner*—Randall H Gholson  
(74) *Attorney, Agent, or Firm*—Flynn, Thiel, Boutell & Tanis, P.C.

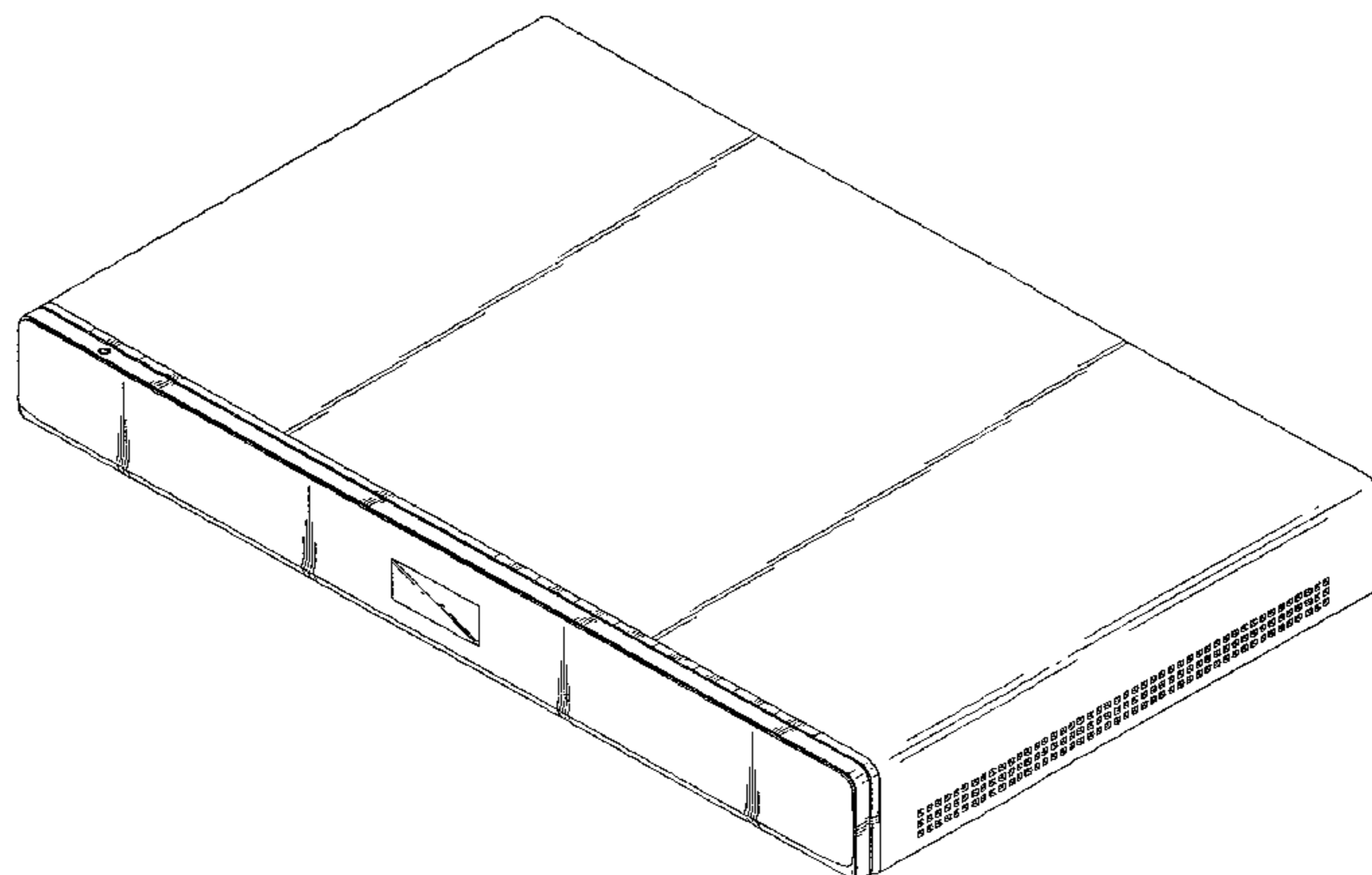
(57) **CLAIM**

The ornamental design for a set top box, as shown and described.

**DESCRIPTION**

FIG. 1 is a top front perspective view of a set top box showing our new design;  
FIG. 2 is a front elevational view thereof;  
FIG. 3 is a rear elevational view thereof;  
FIG. 4 is a left side elevational view thereof;  
FIG. 5 is a right side elevational view thereof;  
FIG. 6 is a top plan view thereof; and,  
FIG. 7 is a bottom plan view thereof.

**1 Claim, 3 Drawing Sheets**



OTHER PUBLICATIONS

U.S. Appl. No. 29/313,617, Applicant: Chul-Yong Cho, et al., filed Jan. 27, 2009 entitled Set Top Box.

U.S. Appl. No. 29/313,612, Applicant: Chul-Yong Cho, et al., filed Jan. 27, 2009 entitled Set Top Box.

U.S. Appl. No. 29/313,613, Applicant: Chul-Yong Cho, et al., filed Jan. 27, 2009 entitled Set Top Box.

U.S. Appl. No. 29/313,614, Applicant: Chul-Yong Cho, et al., filed Jan. 27, 2009 entitled Set Top Box.

U.S. Appl. No. 29/313,615, Applicant: Chul-Yong Cho, et al., filed Jan. 27, 2009 entitled Set Top Box.

U.S. Appl. No. 29/313,284, Applicant: Chul-Yong Cho, et al., filed Dec. 23, 2008 entitled Set Top Box.

\* cited by examiner

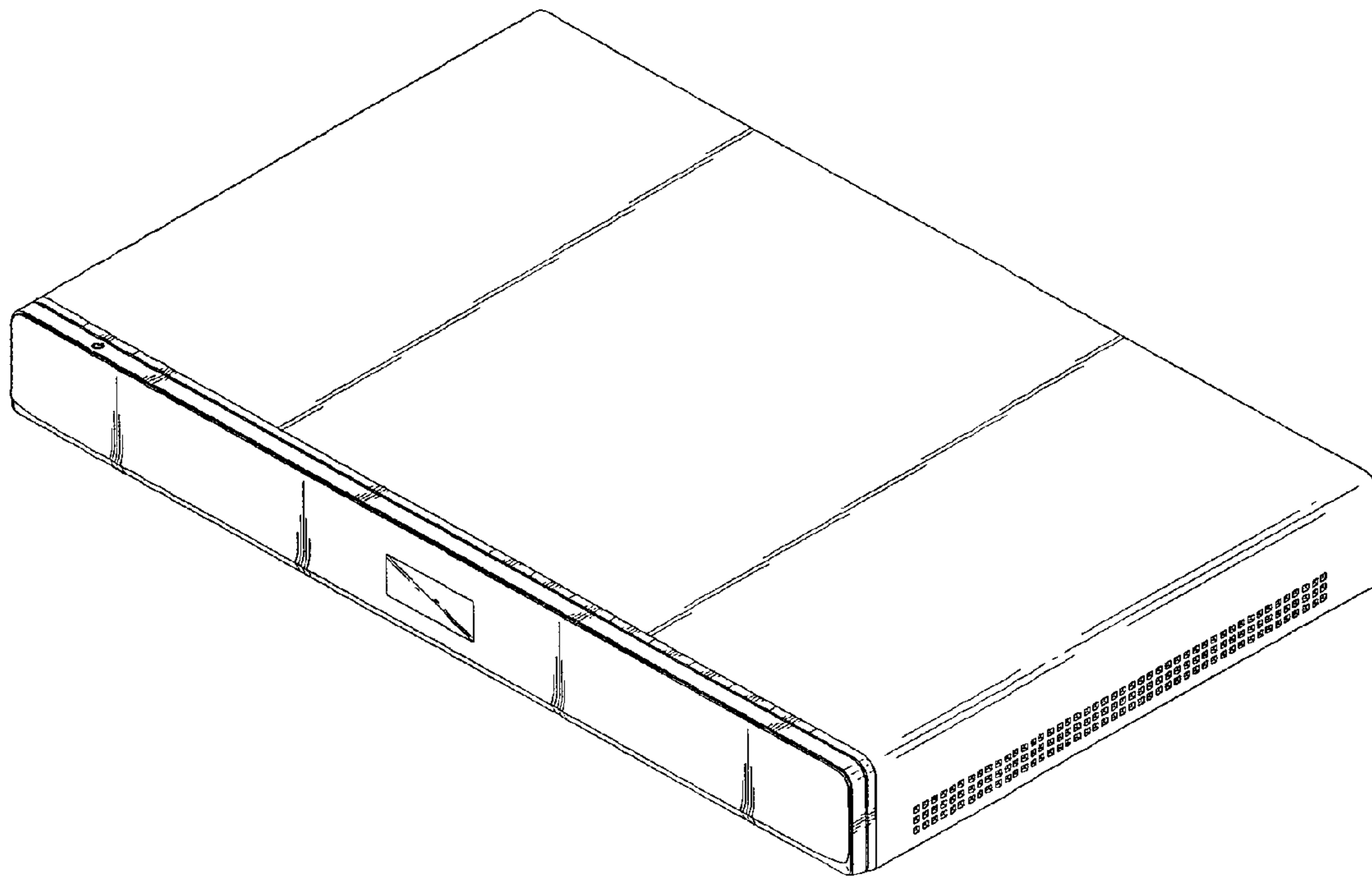


FIG. 1

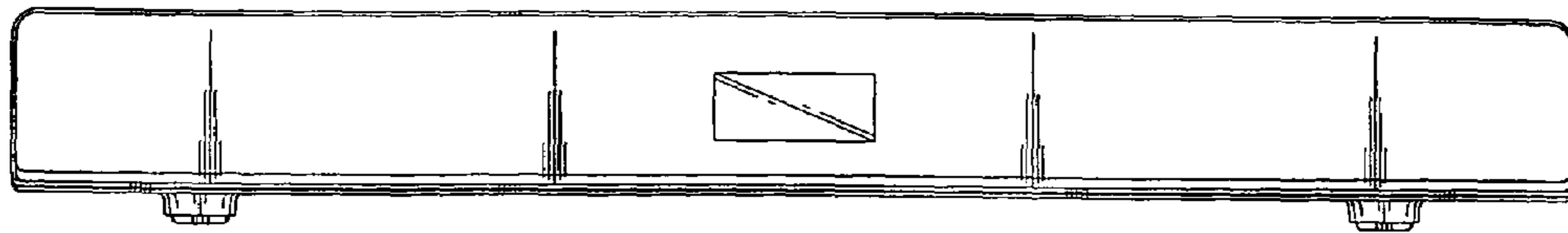


FIG. 2

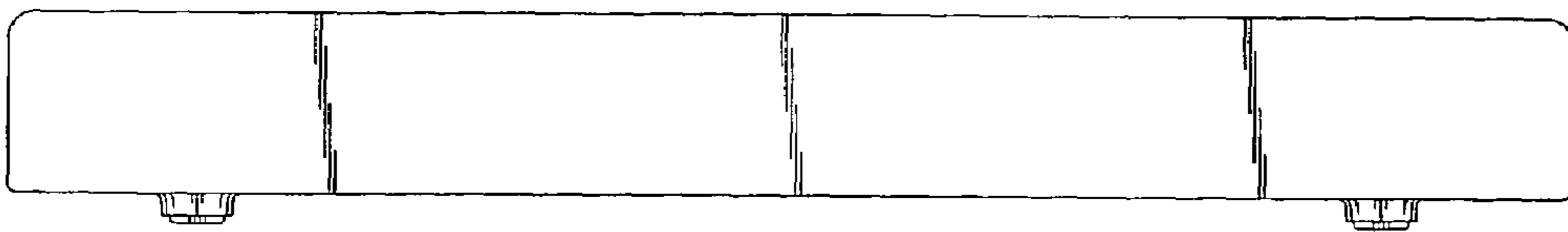


FIG. 3

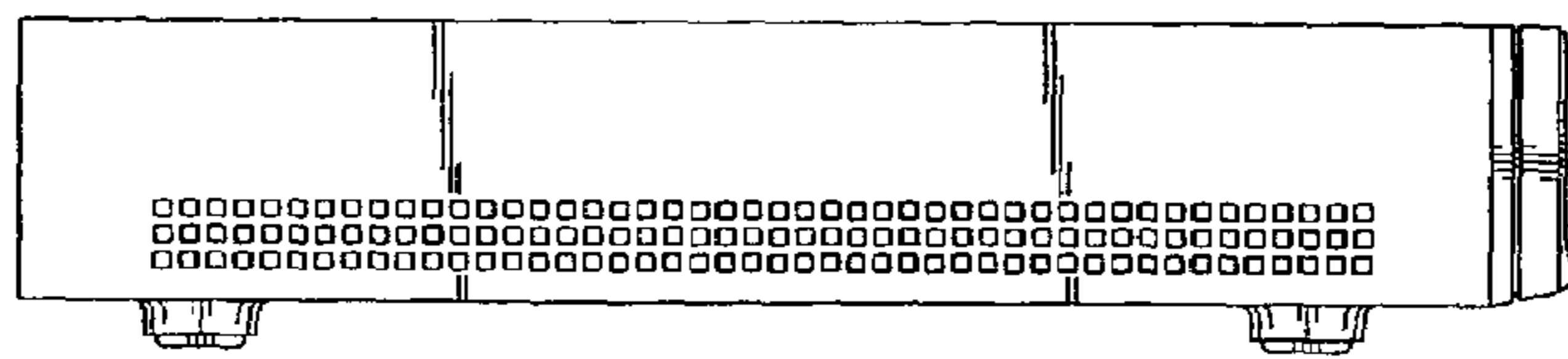


FIG. 4

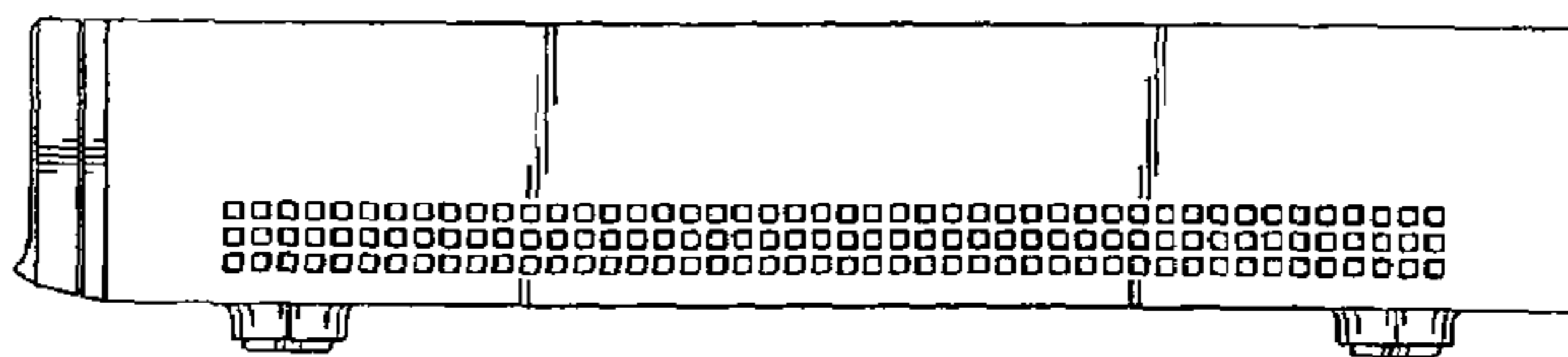


FIG. 5

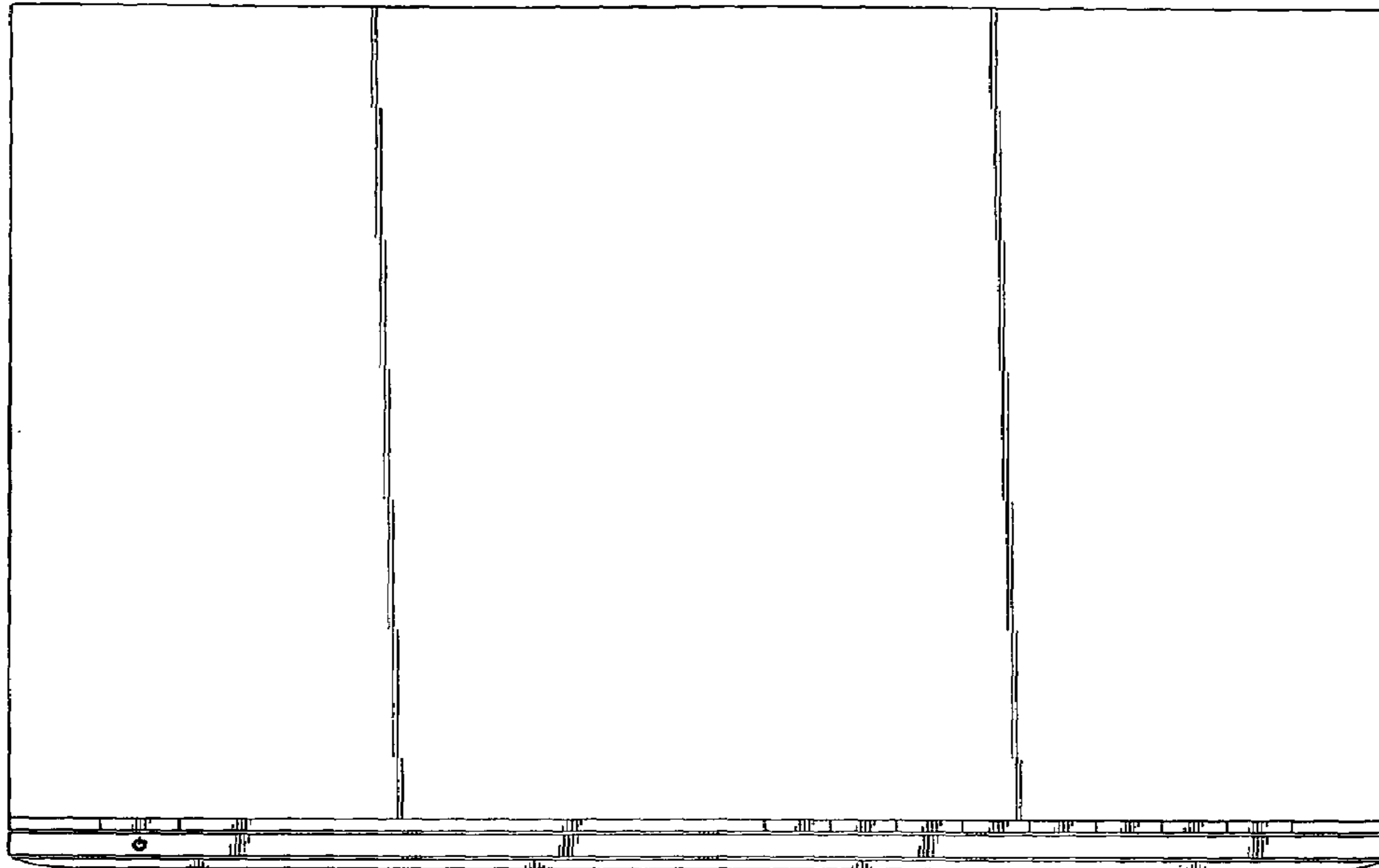


FIG. 6

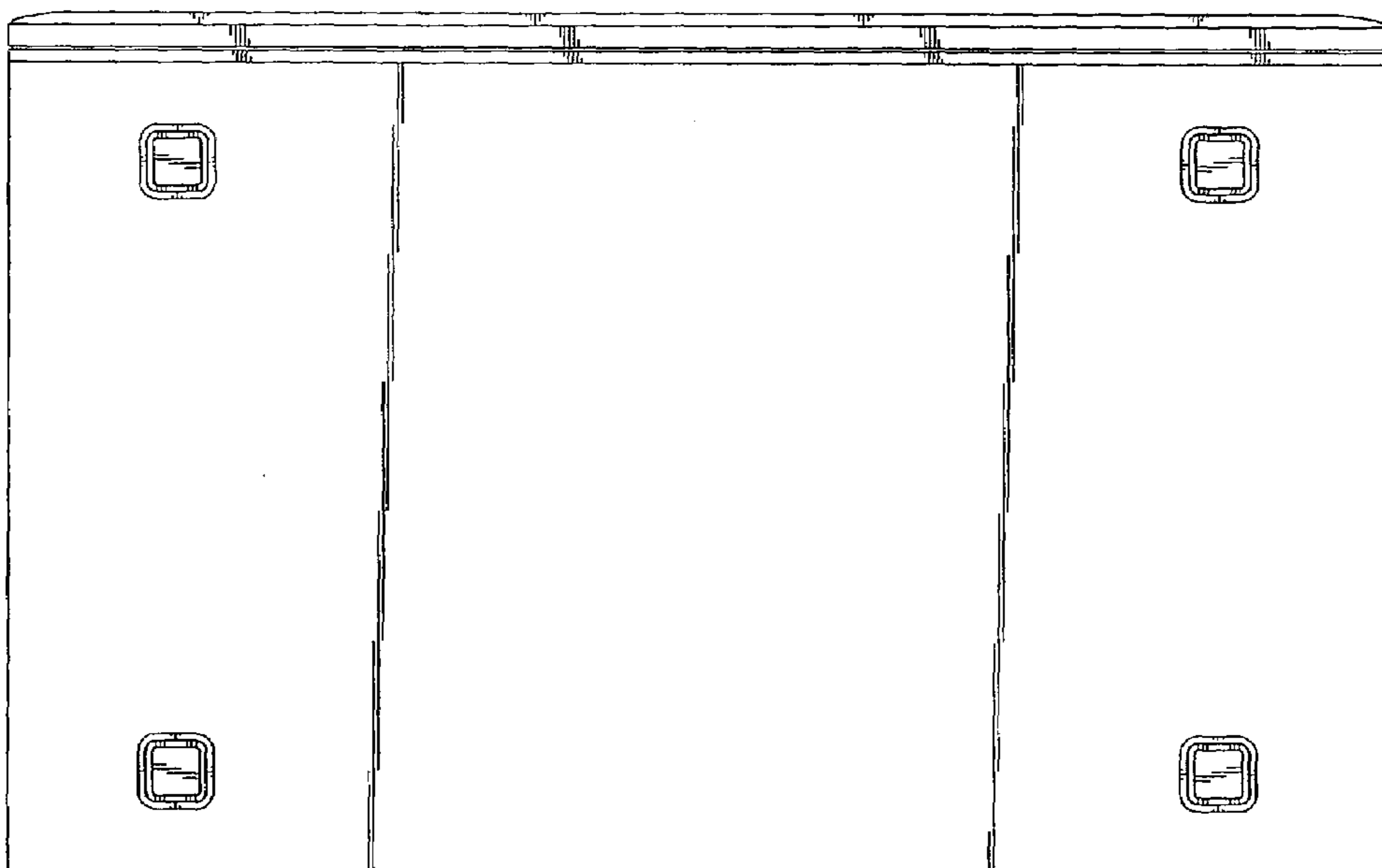


FIG. 7