

US00D602888S

(12) **United States Design Patent**  
**Cho et al.**

(10) **Patent No.:** **US D602,888 S**  
(45) **Date of Patent:** **\*\* Oct. 27, 2009**

(54) **SET TOP BOX**

(75) Inventors: **Chul-Yong Cho**, Seoul (KR);  
**Kyung-Hoon Lee**, Seoul (KR);  
**Dae-Joung Kim**, Seoul (KR); **Bum-Ho Chun**, Seoul (KR)

(73) Assignee: **Samsung Electronics Co., Ltd.**, Suwon, Kyunggi-do (KR)

(\*\*) Term: **14 Years**

(21) Appl. No.: **29/313,615**

(22) Filed: **Jan. 27, 2009**

(51) **LOC (9) Cl.** ..... **14-03**

(52) **U.S. Cl.** ..... **D14/125**

(58) **Field of Classification Search** ..... D14/125–134,  
D14/239, 371, 136, 374–377; 312/7.2; 348/836,  
348/838, 180, 184, 325, 739; 341/12; 248/917–924,  
248/465, 123.11; 345/104, 133, 156, 168,  
345/87, 173, 169; 349/1, 2, 11, 62; 720/605,  
720/669, 600, 655, 99, 197; 455/344–347  
See application file for complete search history.

(56) **References Cited**

U.S. PATENT DOCUMENTS

D380,447 S	*	7/1997	Chen et al.	.....	D13/164
D441,375 S	*	5/2001	Hisatsune et al.	.....	D14/496
D466,875 S	*	12/2002	Kita	.....	D14/125
D469,066 S	*	1/2003	Takahashi	.....	D14/125
D483,729 S	*	12/2003	Huang et al.	.....	D14/506
D529,879 S		10/2006	Park et al.		
D533,157 S		12/2006	Park		
D541,811 S		5/2007	Park		
D544,455 S		6/2007	Park et al.		
D545,774 S		7/2007	Woo et al.		
D551,183 S		9/2007	Park et al.		
D560,176 S		1/2008	Woo		
D560,177 S		1/2008	Chun et al.		
D560,689 S		1/2008	Cho		
D567,193 S		4/2008	Kang et al.		

D571,741 S	*	6/2008	Cha et al.	.....	D14/125
D571,754 S		6/2008	Cho et al.		
D574,793 S		8/2008	Kim et al.		
D584,254 S		1/2009	Jeon et al.		
D584,701 S		1/2009	Kim et al.		
D585,395 S		1/2009	Cho et al.		
D587,223 S		2/2009	Chun		
D587,224 S		2/2009	Chun et al.		
D588,559 S	*	3/2009	Kim et al.	.....	D14/125

OTHER PUBLICATIONS

U.S. Appl. No. 29/310,033, Applicant: Dae-Joung Kim, et al., filed Jul. 23, 2008 entitled Set Top Box.  
U.S. Appl. No. 29/308,614, Applicant: Sang-Sung Woo, et al., filed Jun. 26, 2008 entitled Set Top Box.  
U.S. Appl. No. 29/308,615, Applicant: Dae-Joung Kim, et al., filed Jun. 26, 2008 entitled Set Top Box.  
U.S. Appl. No. 29/313,282, Applicant: Dae-Joung Kim, et al., filed Dec. 23, 2008 entitled Set Top Box.

(Continued)

*Primary Examiner*—Raphael Barkai  
*Assistant Examiner*—Randall H Gholson  
(74) *Attorney, Agent, or Firm*—Flynn, Thiel, Boutell & Tanis, P.C.

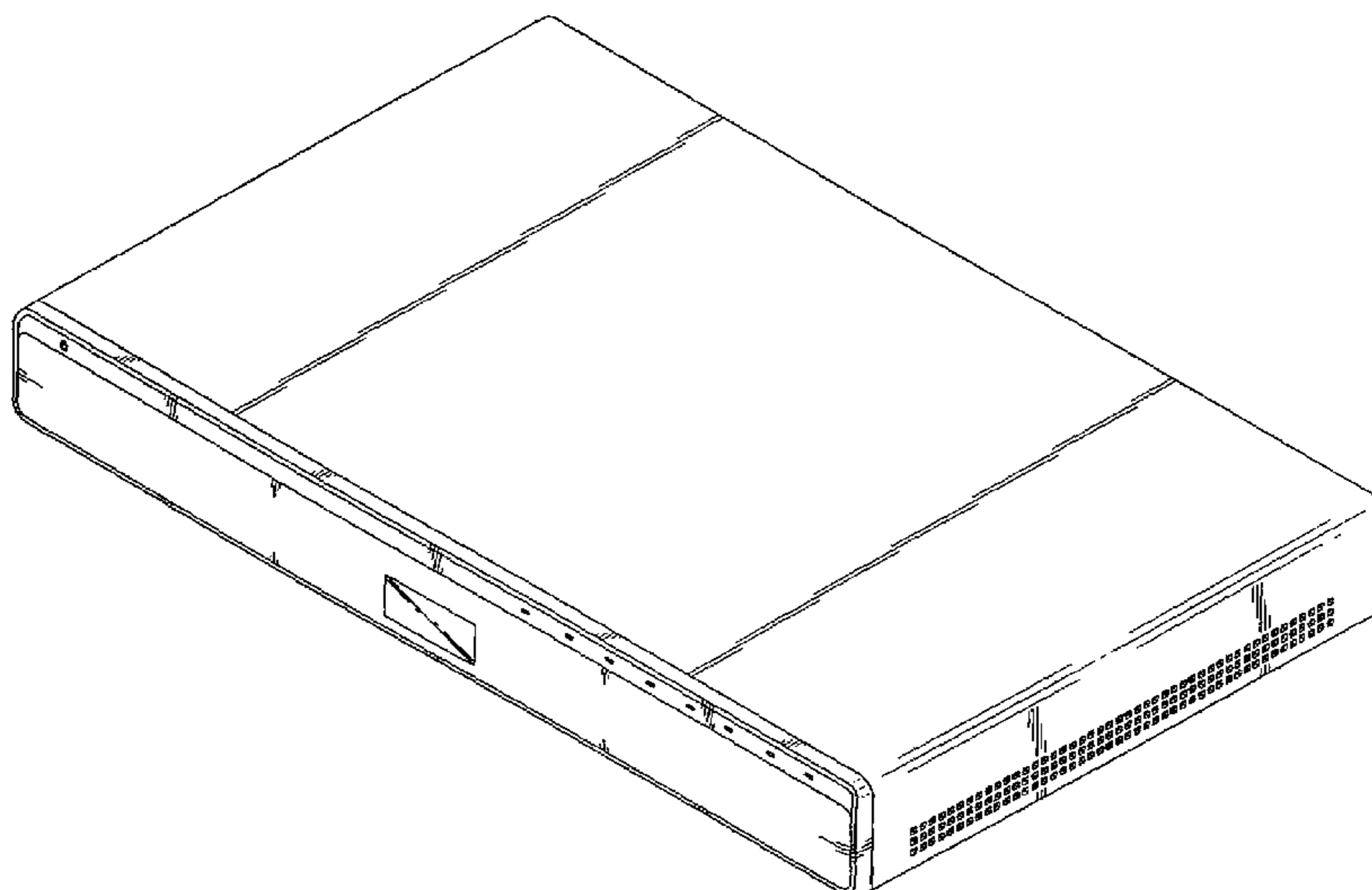
(57) **CLAIM**

The ornamental design for a set top box, as shown and described.

**DESCRIPTION**

FIG. 1 is a top front perspective view of a set top box showing our new design;  
FIG. 2 is a front elevational view thereof;  
FIG. 3 is a rear elevational view thereof;  
FIG. 4 is a left side elevational view thereof;  
FIG. 5 is a right side elevational view thereof;  
FIG. 6 is a top plan view thereof; and,  
FIG. 7 is a bottom plan view thereof.

**1 Claim, 3 Drawing Sheets**



OTHER PUBLICATIONS

U.S. Appl. No. 29/313,617, Applicant: Chul-Yong Cho, et al., filed Jan. 27, 2009 entitled Set Top Box.

U.S. Appl. No. 29/313,612, Applicant: Chul-Yong Cho, et al., filed Jan. 27, 2009 entitled Set Top Box.

U.S. Appl. No. 29/313,613, Applicant: Chul-Yong Cho, et al., filed Jan. 27, 2009 entitled Set Top Box.

U.S. Appl. No. 29/313,614, Applicant: Chul-Yong Cho, et al., filed Jan. 27, 2009 entitled Set Top Box.

U.S. Appl. No. 29/313,616, Applicant: Chul-Yong Cho, et al., filed Jan. 27, 2009 entitled Set Top Box.

U.S. Appl. No. 29/313,284, Applicant: Chul-Yong Cho, et al., filed Dec. 23, 2008 entitled Set Top Box.

\* cited by examiner

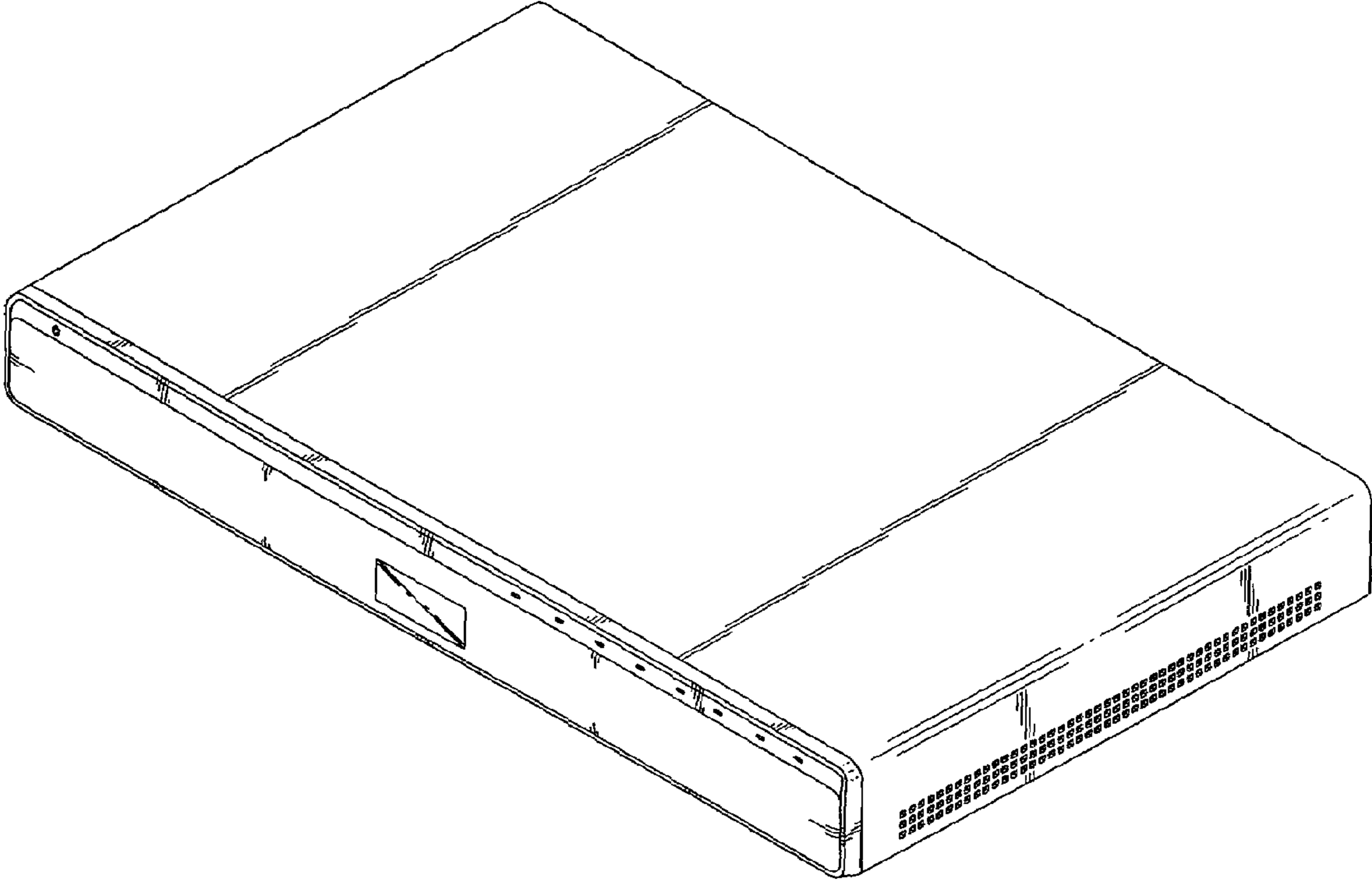


FIG. 1

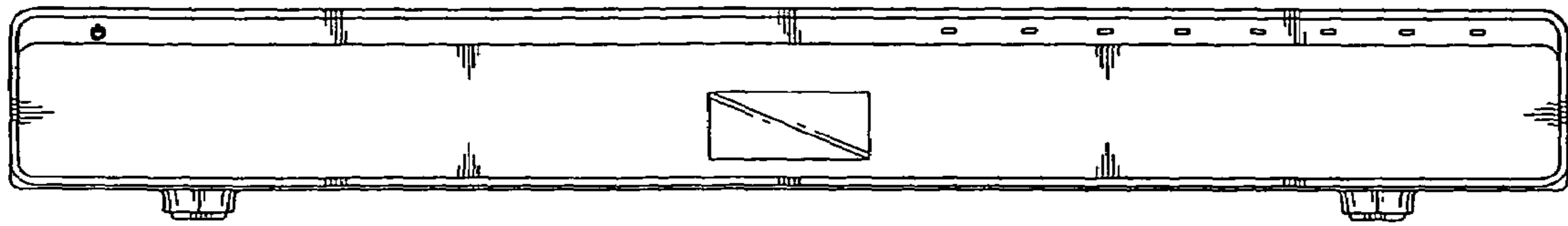


FIG. 2

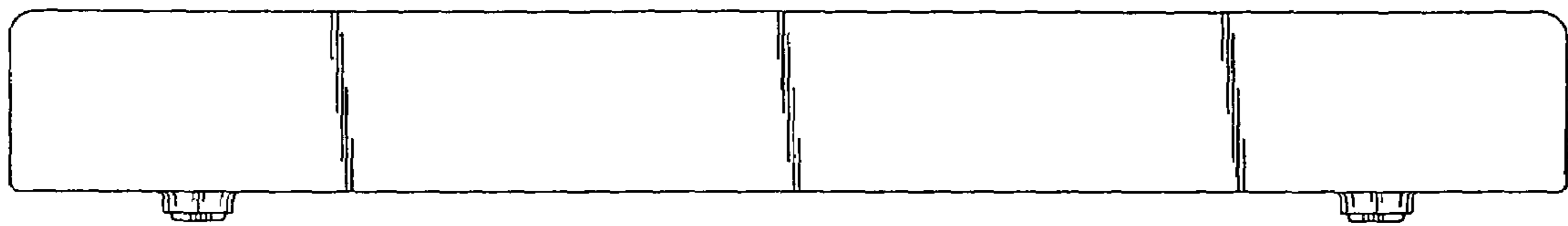


FIG. 3

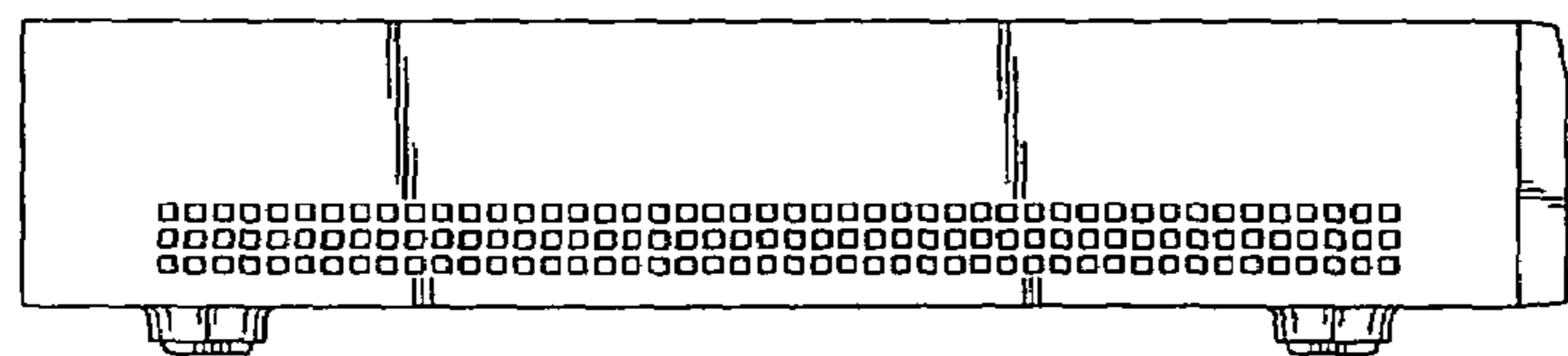


FIG. 4

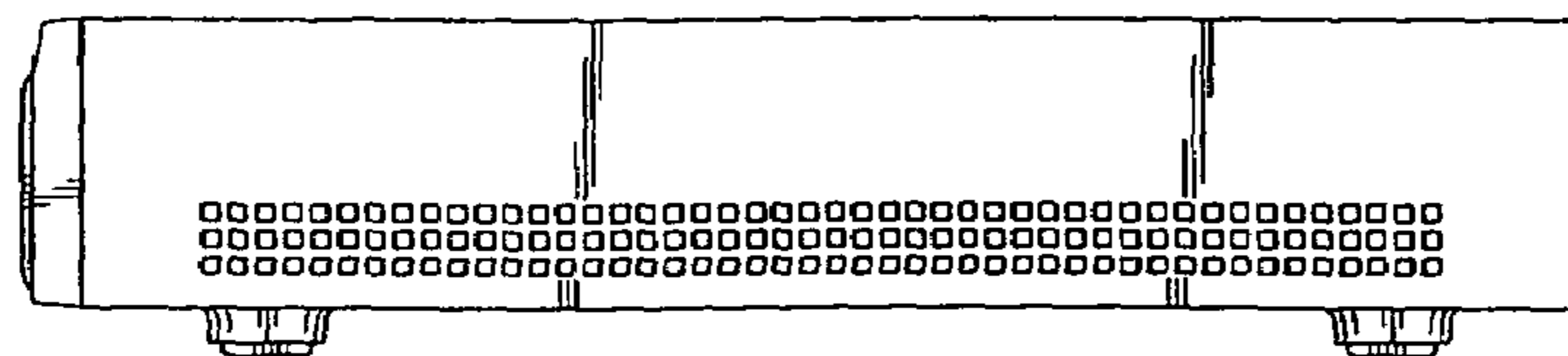


FIG. 5

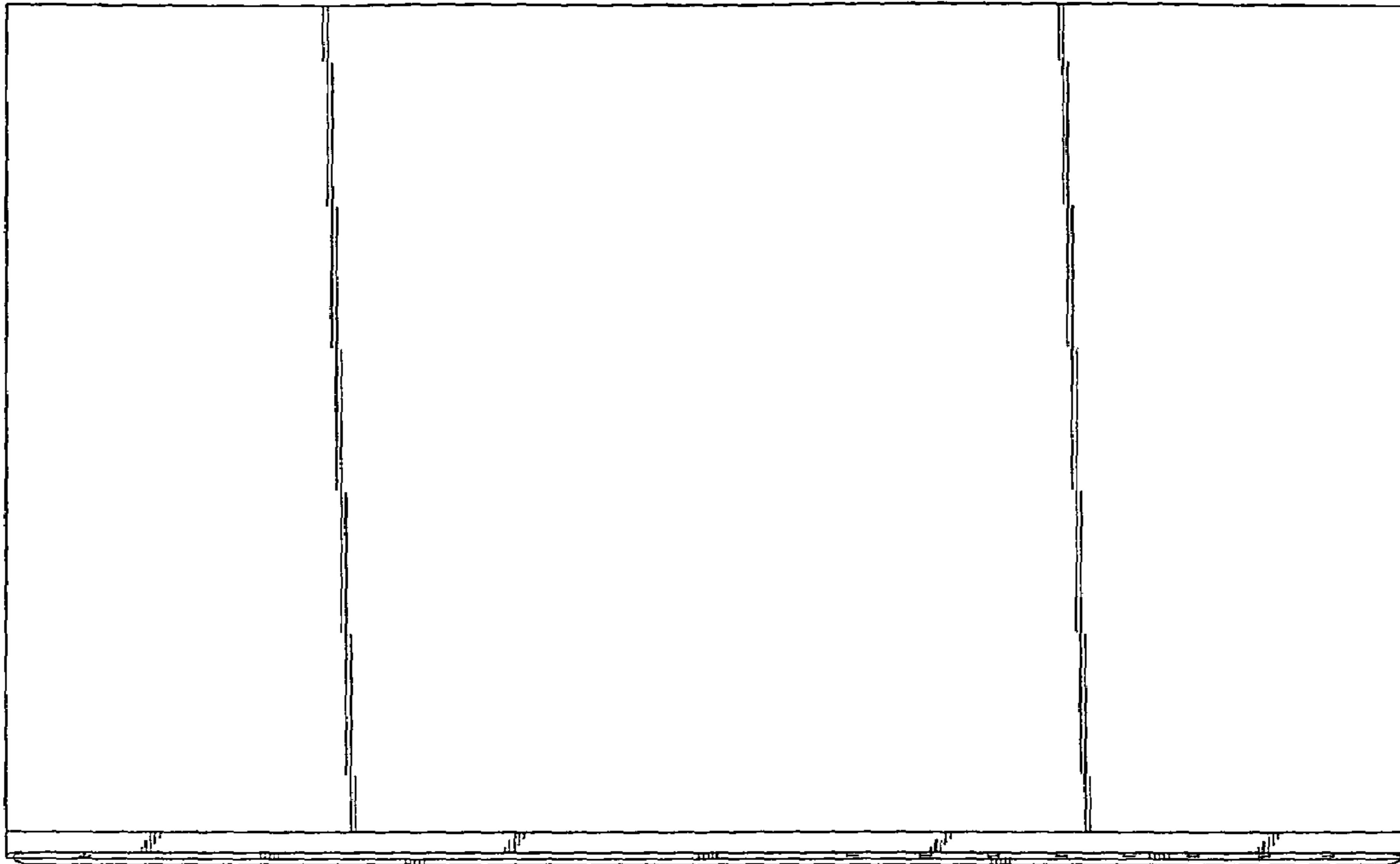


FIG. 6

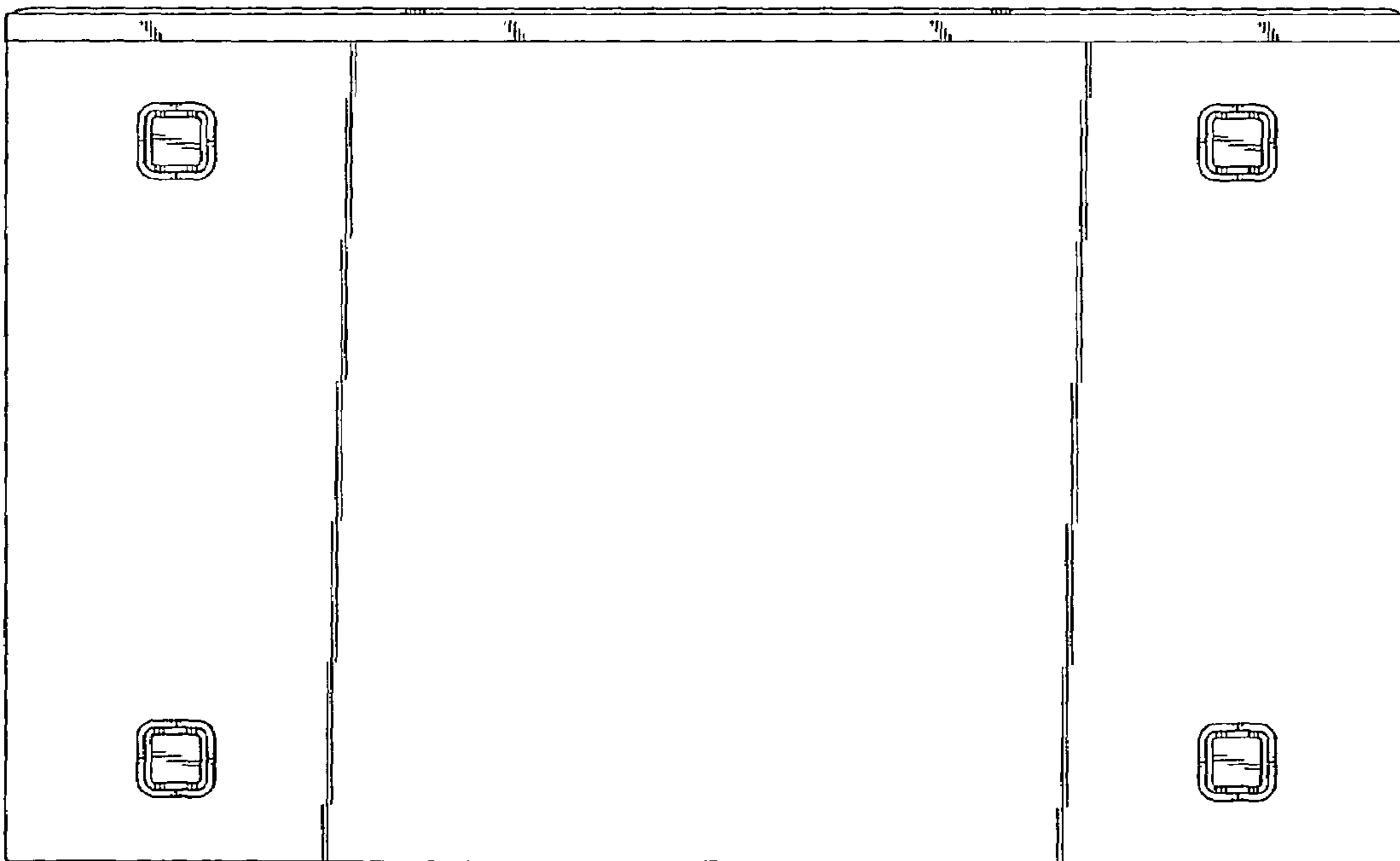


FIG. 7