



US00D602886S

(12) **United States Design Patent**
Dao et al.

(10) **Patent No.:** **US D602,886 S**
(45) **Date of Patent:** **** Oct. 27, 2009**

(54) **SHIELD DESIGN**

(75) Inventors: **Andy Dao**, Castro Valley, CA (US);
Curtis Lee, Cupertino, CA (US); **Dieter Statezni**, Cupertino, CA (US)

(73) Assignee: **Atheros Communications, Inc.**, Santa Clara, CA (US)

(**) Term: **14 Years**

(21) Appl. No.: **29/325,955**

(22) Filed: **Oct. 8, 2008**

(51) **LOC (9) Cl.** **13-03**

(52) **U.S. Cl.** **D13/182**

(58) **Field of Classification Search** D13/182;
174/50; 257/680, 704; 361/719, 816, 818
See application file for complete search history.

(56) **References Cited**

U.S. PATENT DOCUMENTS

D272,340 S *	1/1984	Korzik	D13/182
D288,803 S *	3/1987	Capawana	D13/182
5,353,201 A *	10/1994	Maeda	361/816
5,371,408 A *	12/1994	Moulton et al.	257/730
6,191,950 B1 *	2/2001	Cox et al.	361/737
6,687,135 B1 *	2/2004	Kitade	361/816

6,809,932 B2 *	10/2004	Wu	361/719
7,092,639 B2 *	8/2006	Schultz et al.	398/163
7,457,135 B2 *	11/2008	Chen et al.	361/816
2003/0184976 A1 *	10/2003	Brandenburg et al.	361/719

* cited by examiner

Primary Examiner—Selina Sikder

(74) *Attorney, Agent, or Firm*—Bever, Hoffman & Harms, LLP; Jeanette S. Harms

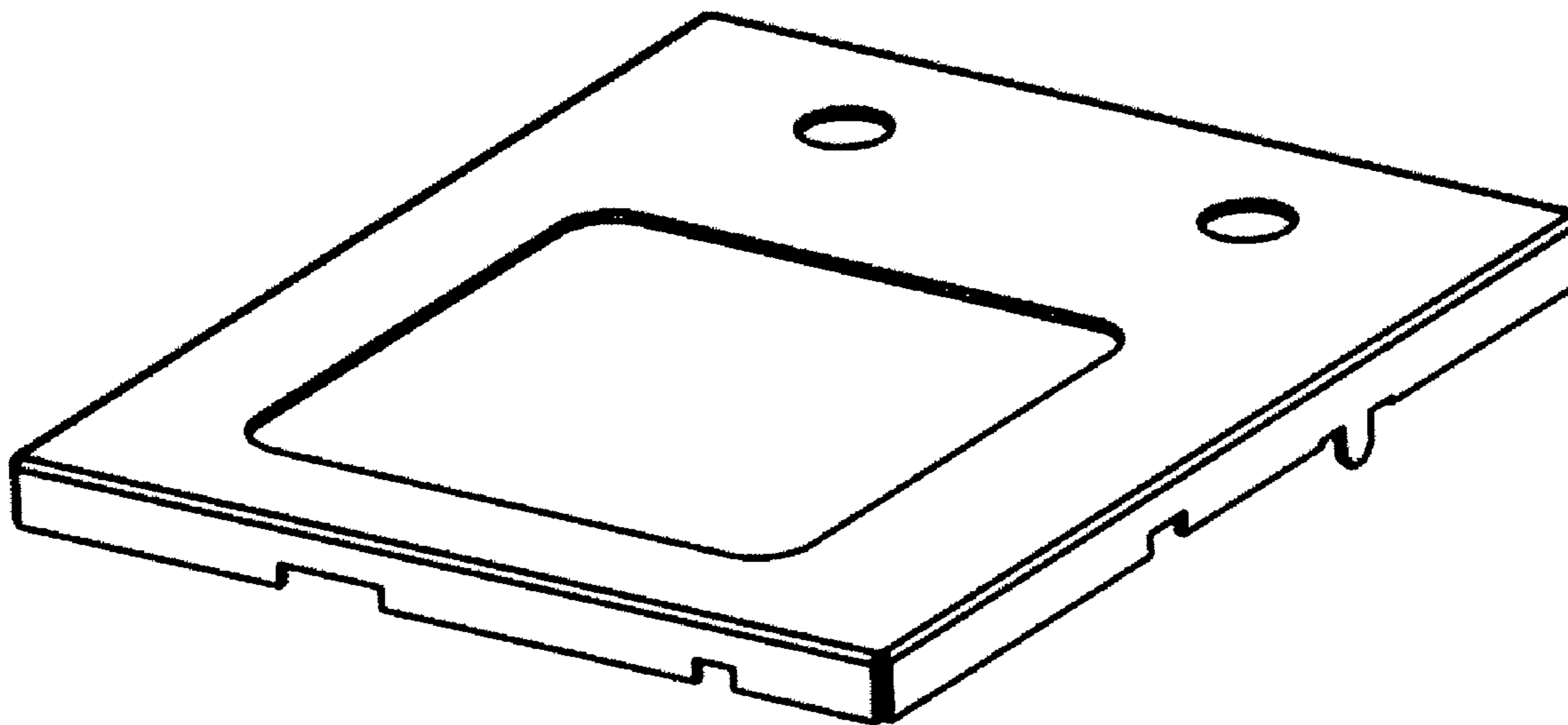
(57) **CLAIM**

The ornamental design for a shield design, as shown and described.

DESCRIPTION

FIG. 1 is a top view of a shield design;
FIG. 2 is a right side view thereof;
FIG. 3 is a left side view thereof;
FIG. 4 is an upper side view thereof;
FIG. 5 is an isometric view of the shield; and,
FIG. 6 is an isometric view of the shield disposed on a typical printed circuit board; a typical printed circuit board and integrated circuit are shown in broken lines for illustrative purposes only and form no part of the claimed design.

1 Claim, 6 Drawing Sheets



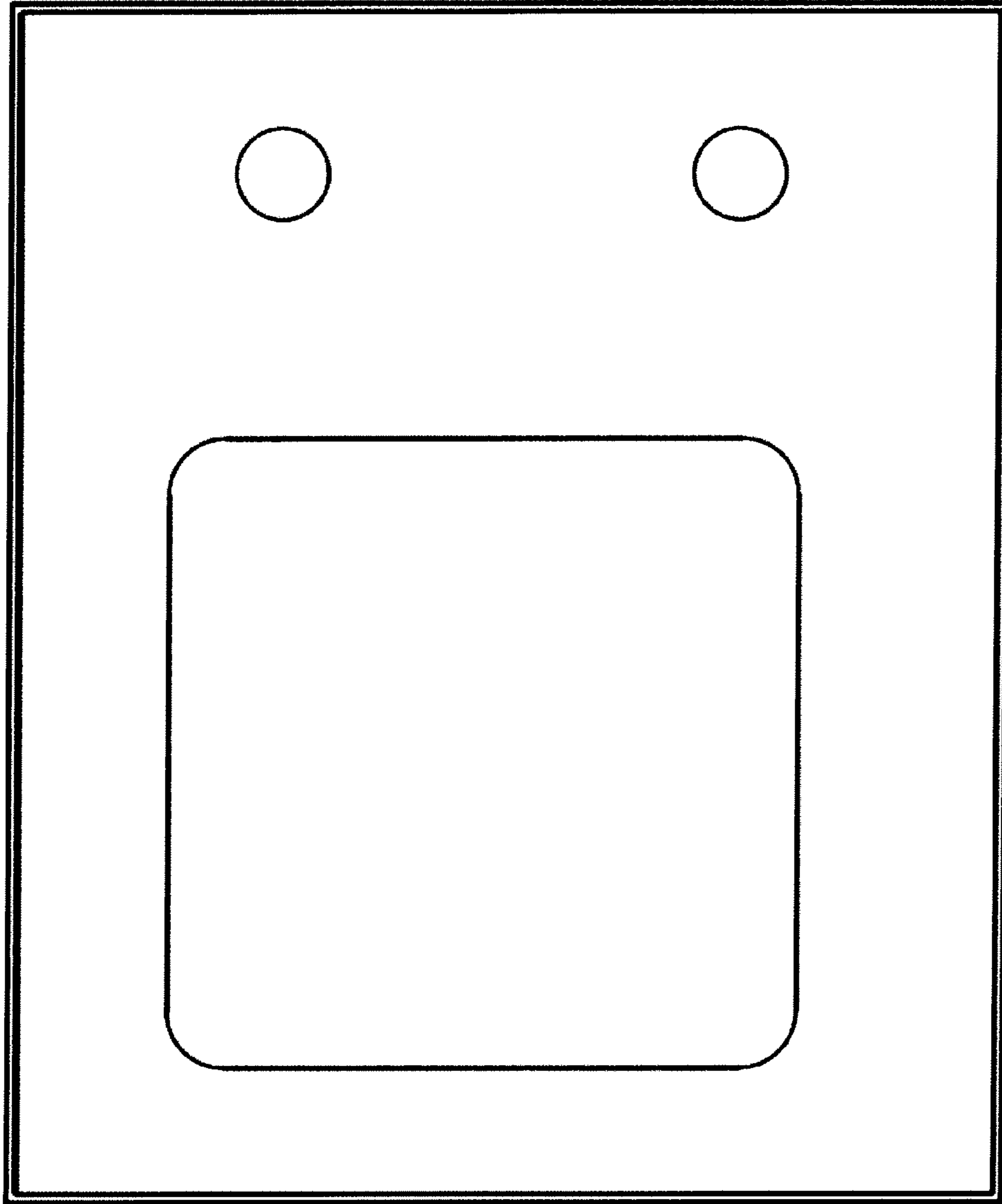


Figure 1



Figure 2



Figure 3



Figure 4

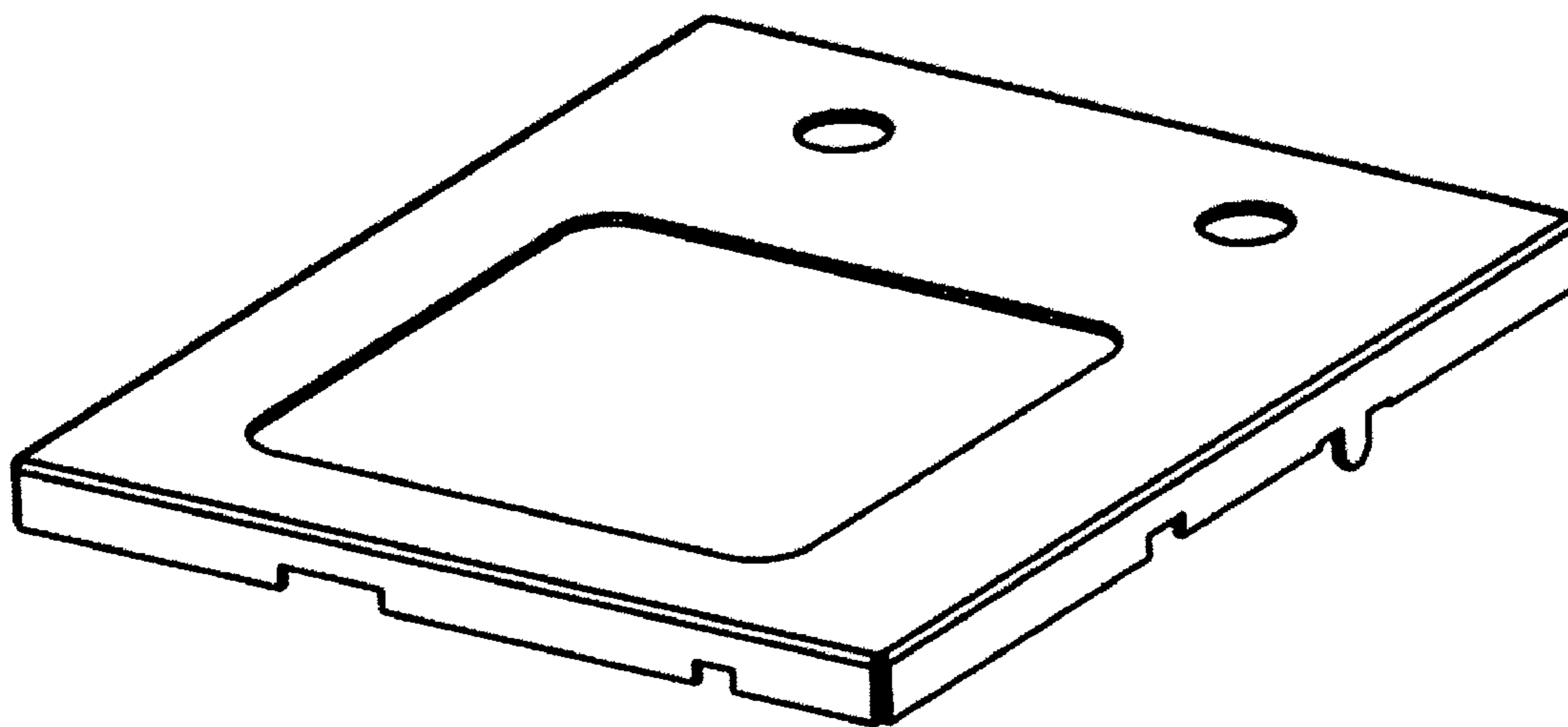


Figure 5

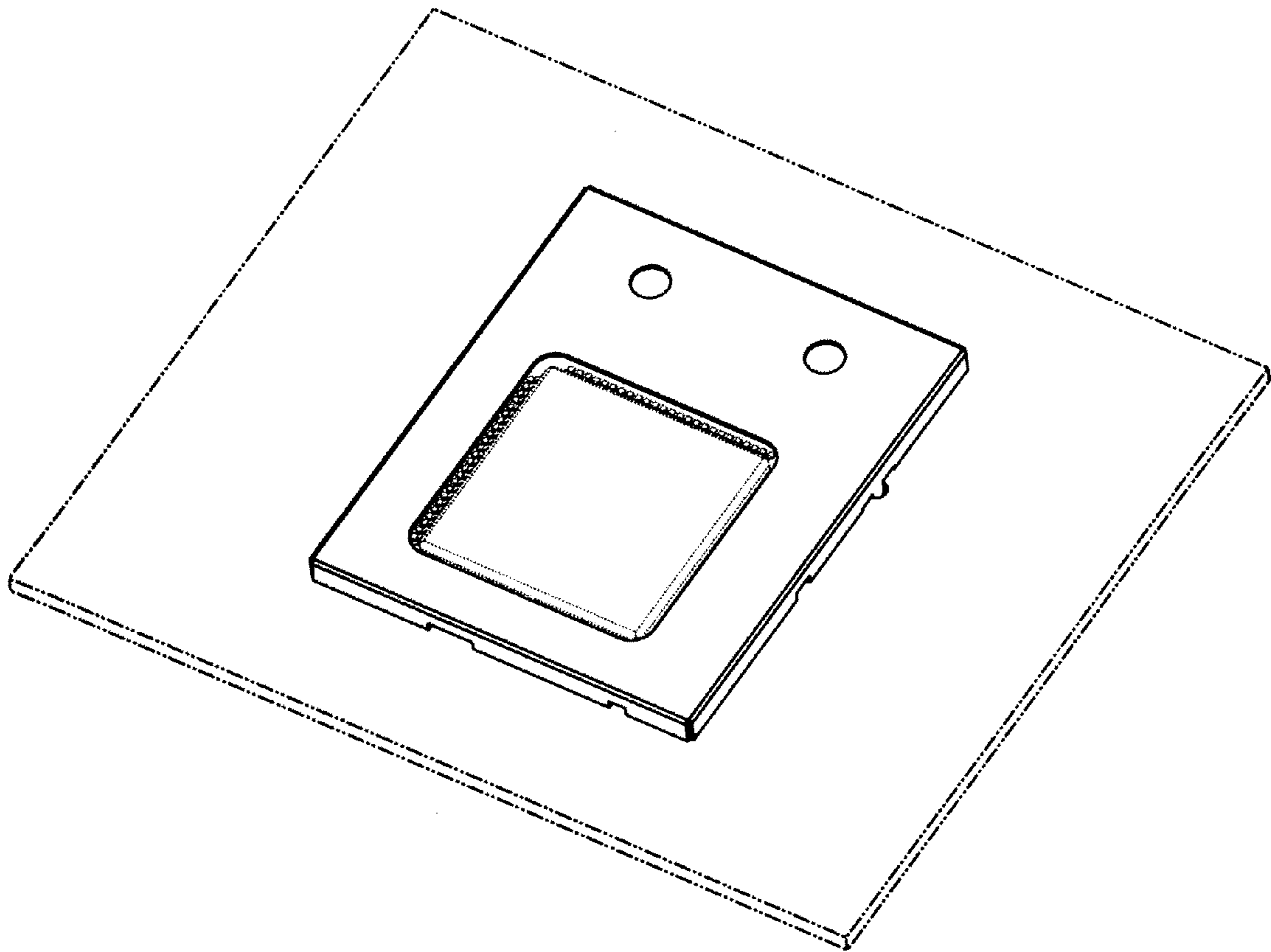


Figure 6