



US00D602884S

(12) **United States Design Patent**
Wada et al.

(10) **Patent No.:** **US D602,884 S**

(45) **Date of Patent:** **** Oct. 27, 2009**

(54) **LIGHT-EMITTING DIODE**

(75) Inventors: **Takahiro Wada**, Hachioji (JP); **You Otaki**, Hino (JP); **Kenji Sasuga**, Hino (JP)

(73) Assignee: **Citizen Electronics Co., Ltd.**, Yamanashi (JP)

(**) Term: **14 Years**

(21) Appl. No.: **29/329,832**

(22) Filed: **Dec. 22, 2008**

(30) **Foreign Application Priority Data**

Jun. 20, 2008 (JP) 2008-015911

(51) **LOC (9) Cl.** **13-03**

(52) **U.S. Cl.** **D13/180**

(58) **Field of Classification Search** D13/180;
D26/2; 257/79, 80, 81, 88, 89, 95, 98, 99,
257/100; 313/483, 498, 500; 362/555, 800
See application file for complete search history.

(56) **References Cited**

U.S. PATENT DOCUMENTS

6,777,719 B1 * 8/2004 Fujii 257/99
D578,083 S * 10/2008 Shimonishi et al. D13/180
D590,355 S * 4/2009 Tsuchiya et al. D13/180
D590,357 S * 4/2009 Miyashita D13/180
D590,358 S * 4/2009 Miyashita et al. D13/180

D591,247 S * 4/2009 Miyashita et al. D13/180
2006/0113906 A1 * 6/2006 Ogawa 313/512
2007/0096114 A1 * 5/2007 Aoki et al. 257/79

* cited by examiner

Primary Examiner—Selina Sikder

(74) *Attorney, Agent, or Firm*—Browdy and Neimark, P.L.L.C.

(57) **CLAIM**

The ornamental design for a light-emitting diode, as shown and described here.

DESCRIPTION

FIG. 1 is a perspective view of the light-emitting diode in accordance with our new design, showing an upper surface and side surfaces thereof as viewed from diagonally above;

FIG. 2 is a perspective view thereof, showing a bottom surface and side surfaces as viewed from diagonally above;

FIG. 3 is a front elevation view thereof;

FIG. 4 is a rear elevation view thereof;

FIG. 5 is a top plan view thereof;

FIG. 6 is a bottom plan view thereof; and,

FIG. 7 is a left side view thereof (a right side view thereof is symmetrical to FIG. 7).

The article is used in general lighting appliances, key illumination of mobile phones, light sources to illuminate light guides and to illuminate displays and so on.

1 Claim, 7 Drawing Sheets

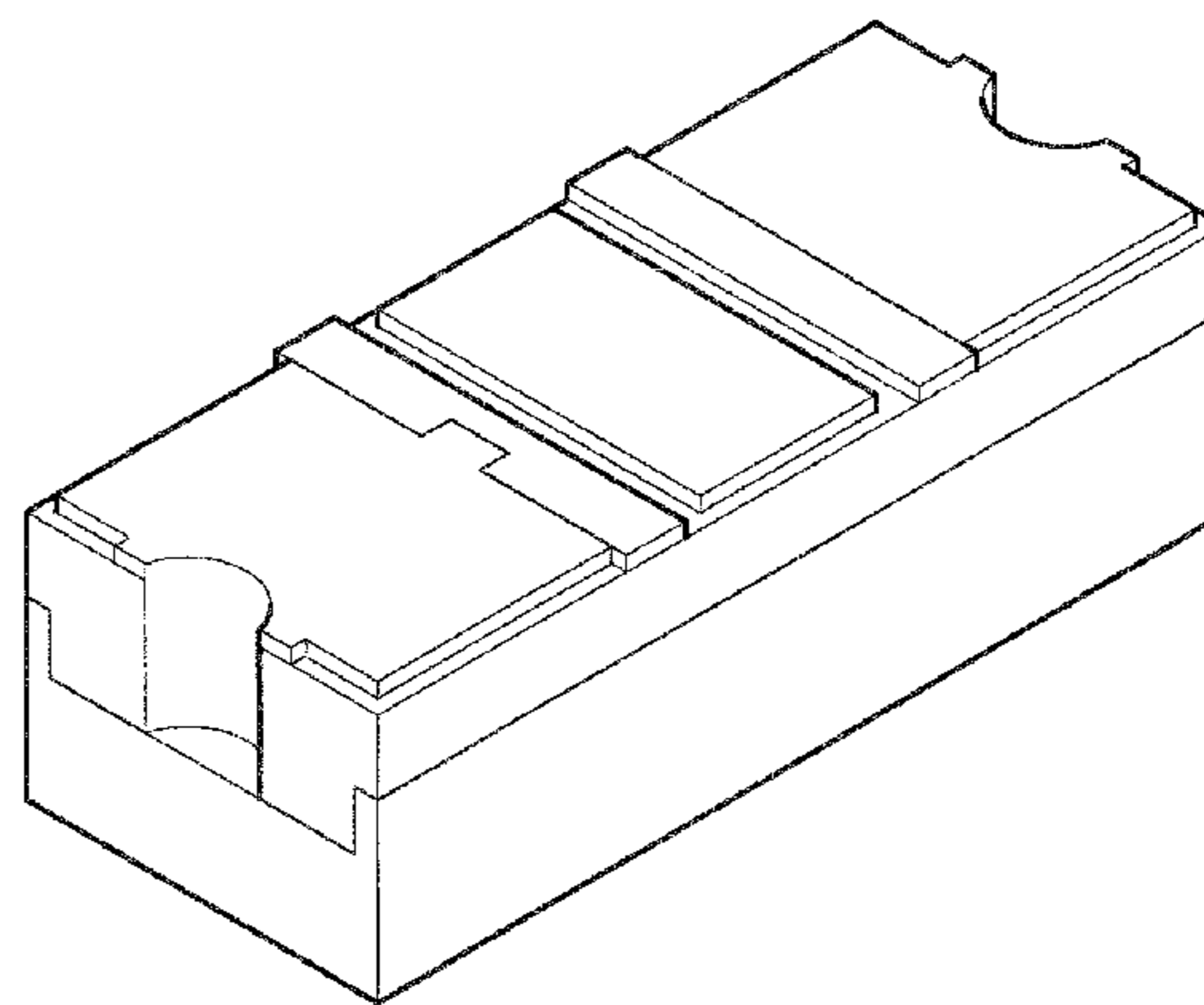
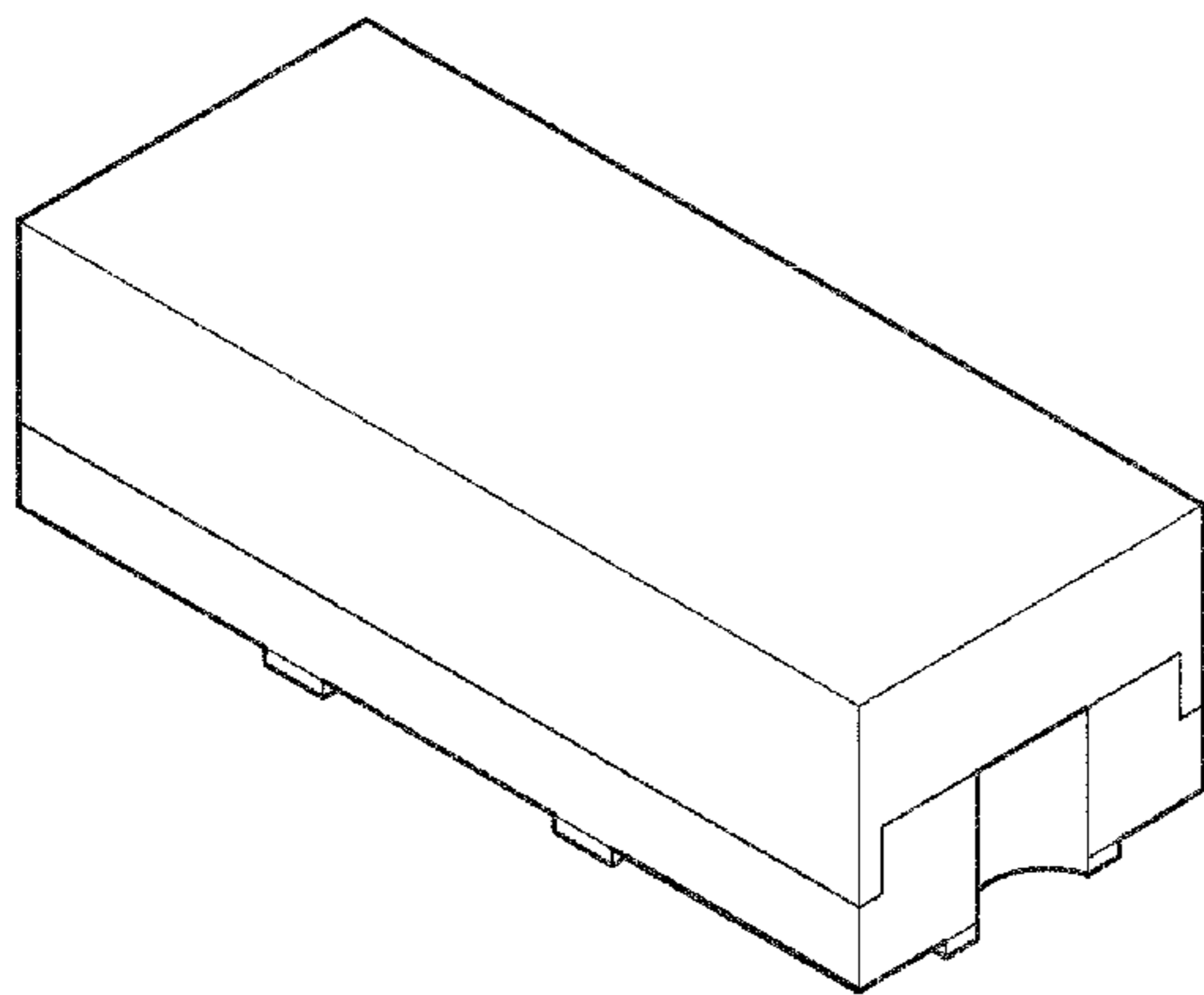


Fig. 1

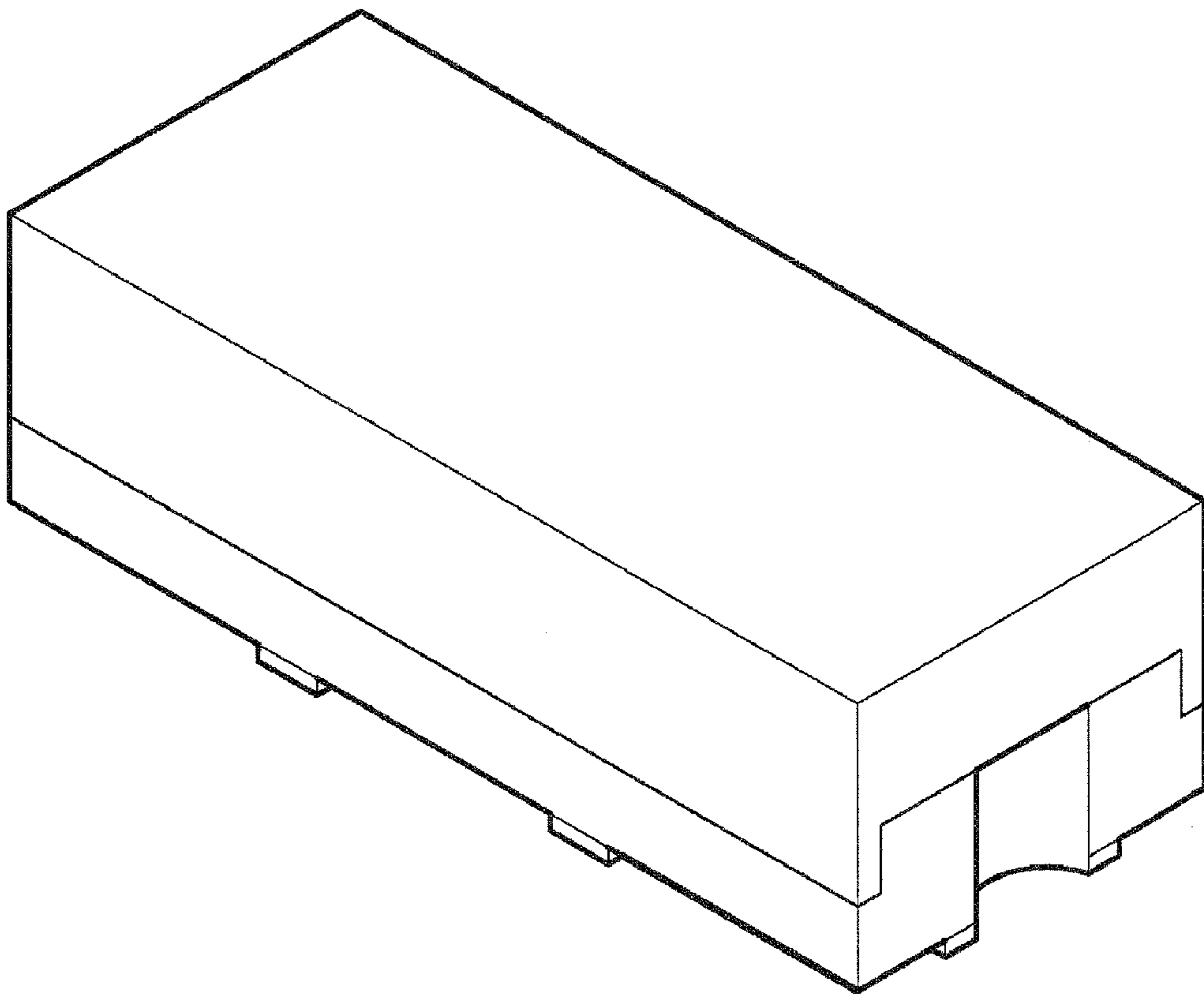


Fig. 2

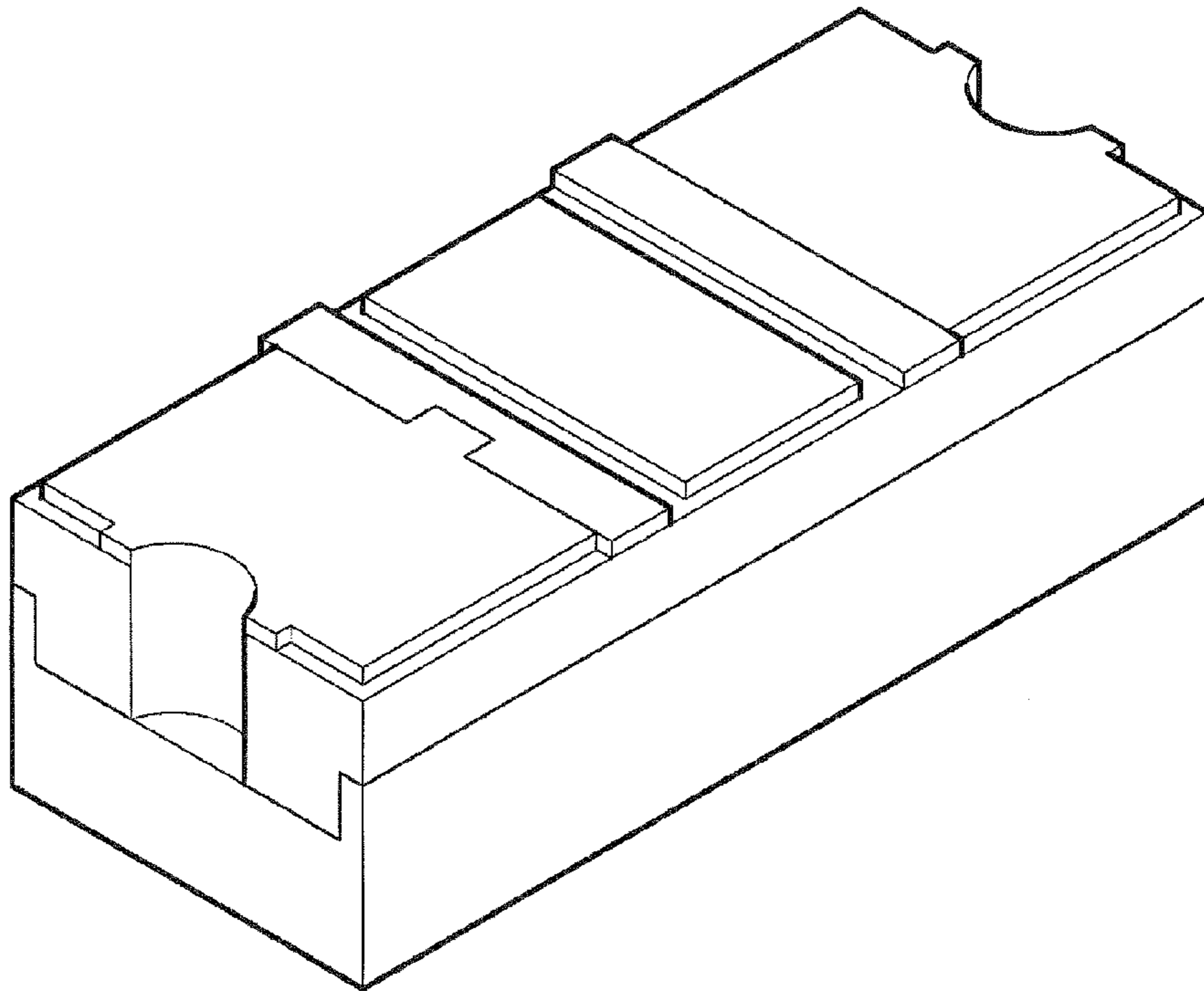


Fig. 3

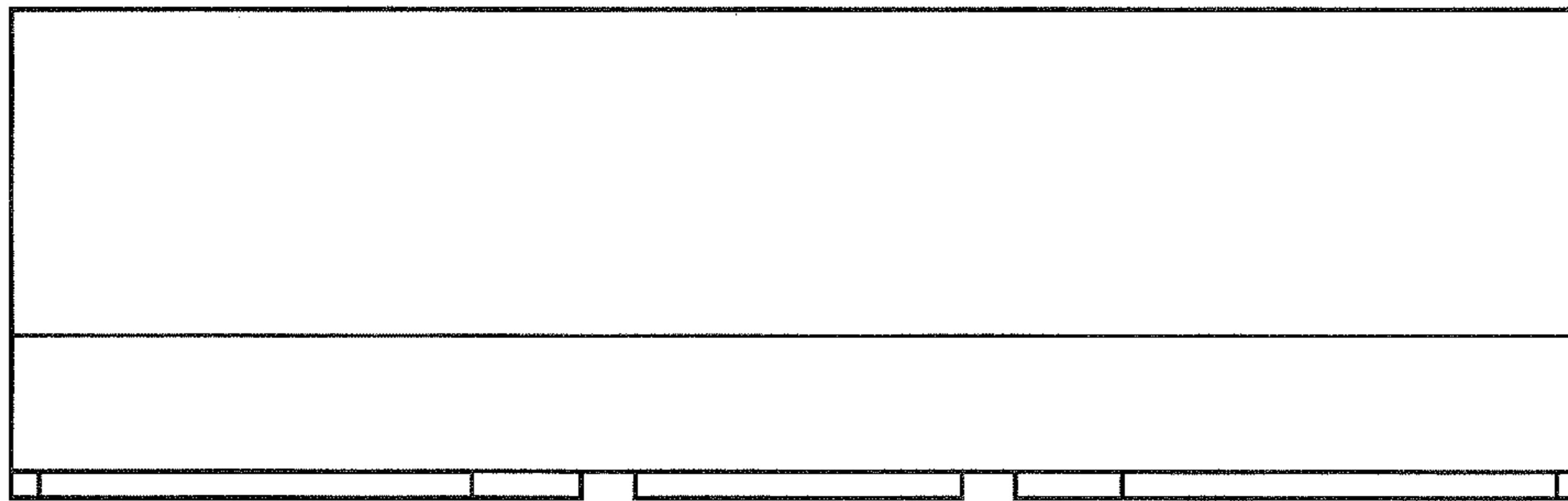


Fig. 4

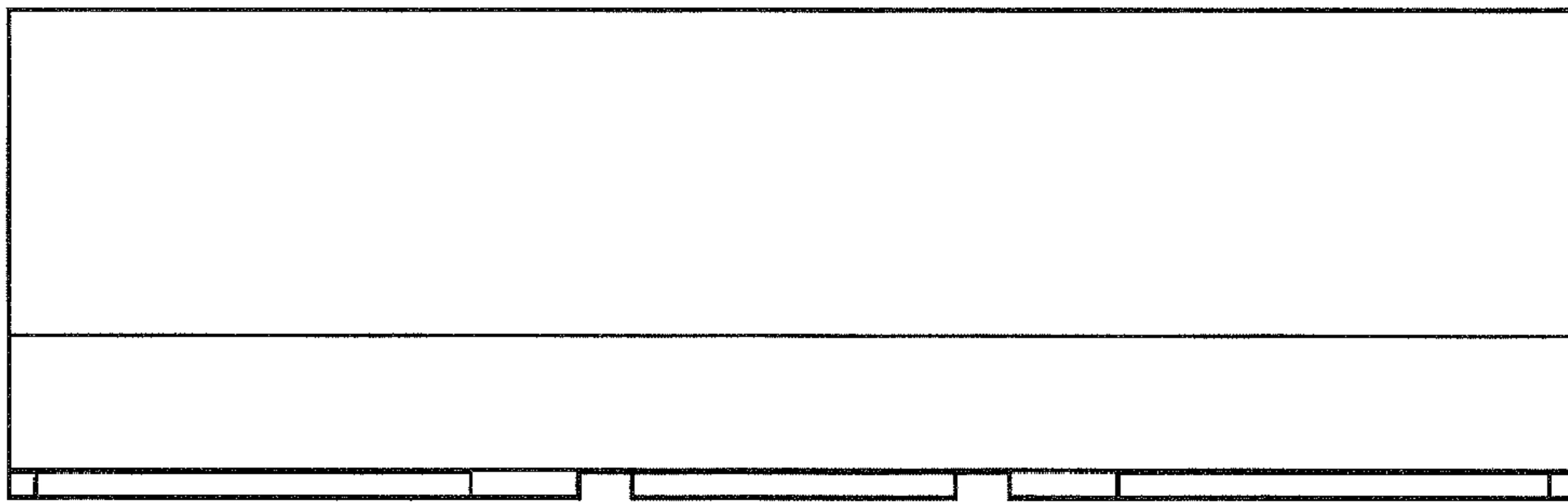


Fig. 5

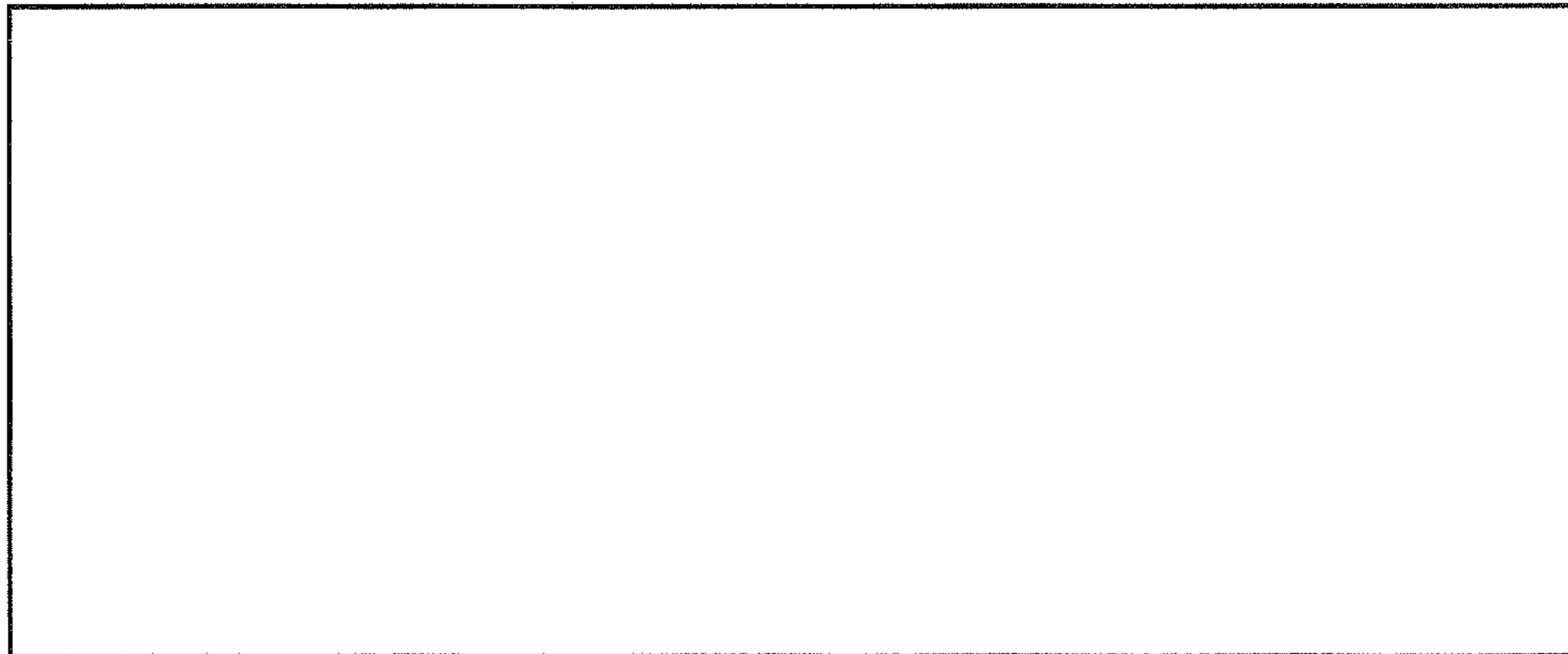


Fig. 6

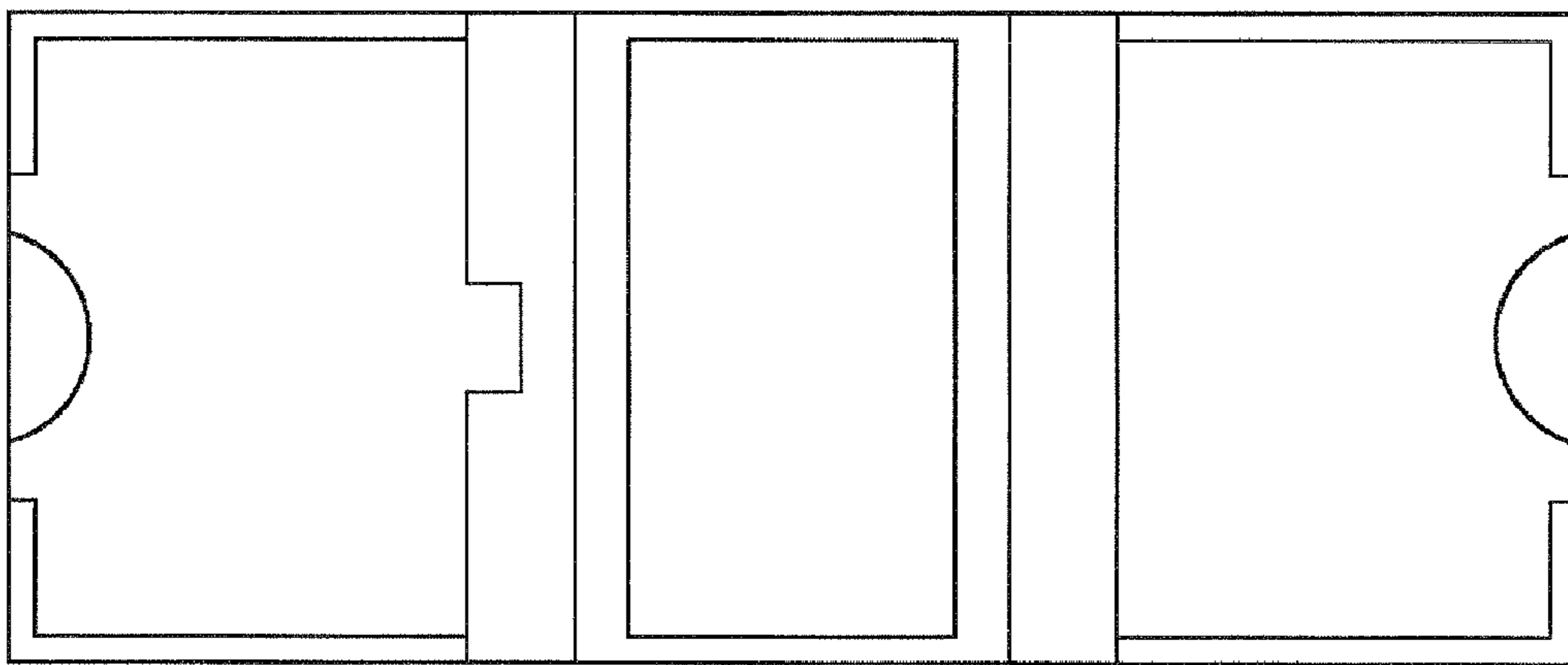


Fig. 7

