



US00D602883S

(12) **United States Design Patent**
Oon et al.

(10) **Patent No.:** **US D602,883 S**

(45) **Date of Patent:** **** Oct. 27, 2009**

(54) **LIGHT EMITTING DIODE**

(75) Inventors: **Siang Ling Oon**, Bukit Mertajam (MY);
Thye Linn Mok, Bukit Mertajam (MY);
Kha Yan Loon, Bayan Lepas (MY);
Boon Kheng Lee, Alor Star (MY)

(73) Assignee: **Avago Technologies ECBU IP**
(Singapore) Pte. Ltd., Singapore (SG)

(**) Term: **14 Years**

(21) Appl. No.: **29/329,321**

(22) Filed: **Dec. 12, 2008**

Related U.S. Application Data

(62) Division of application No. 29/284,175, filed on Aug. 31, 2007.

(51) **LOC (9) Cl.** **13-03**

(52) **U.S. Cl.** **D13/180**

(58) **Field of Classification Search** D13/180;
D26/2; 257/79, 80, 81, 88, 89, 95, 98, 99,
257/100; 313/483, 498, 500; 362/555, 800
See application file for complete search history.

(56) **References Cited**

U.S. PATENT DOCUMENTS

D489,691 S * 5/2004 Ishida D13/180
D500,294 S * 12/2004 Ishida D13/180
D507,782 S 7/2005 Ishida
6,953,952 B2 * 10/2005 Asakawa 257/103
D511,148 S 11/2005 Ishida

D518,449 S 4/2006 Ishida
D527,352 S 8/2006 Wu et al.
D534,132 S * 12/2006 Yoon D13/180
D558,693 S * 1/2008 Shin et al. D13/180
D566,054 S * 4/2008 Kim et al. D13/180
2004/0046242 A1 * 3/2004 Asakawa 257/678
2005/0121688 A1 * 6/2005 Nagai et al. 257/99
2005/0205974 A1 * 9/2005 Su et al. 257/678

* cited by examiner

Primary Examiner—Selina Sikder

(57) **CLAIM**

The ornamental design of a light emitting diode, as shown and described.

DESCRIPTION

FIG. 1 is a top, front, right isometric view of portions of a light emitting diode showing our new design;

FIG. 2 is a bottom, front, left isometric view thereof;

FIG. 3 is a top plan view thereof;

FIG. 4 is a bottom plan view thereof;

FIG. 5 is a front elevation view thereof;

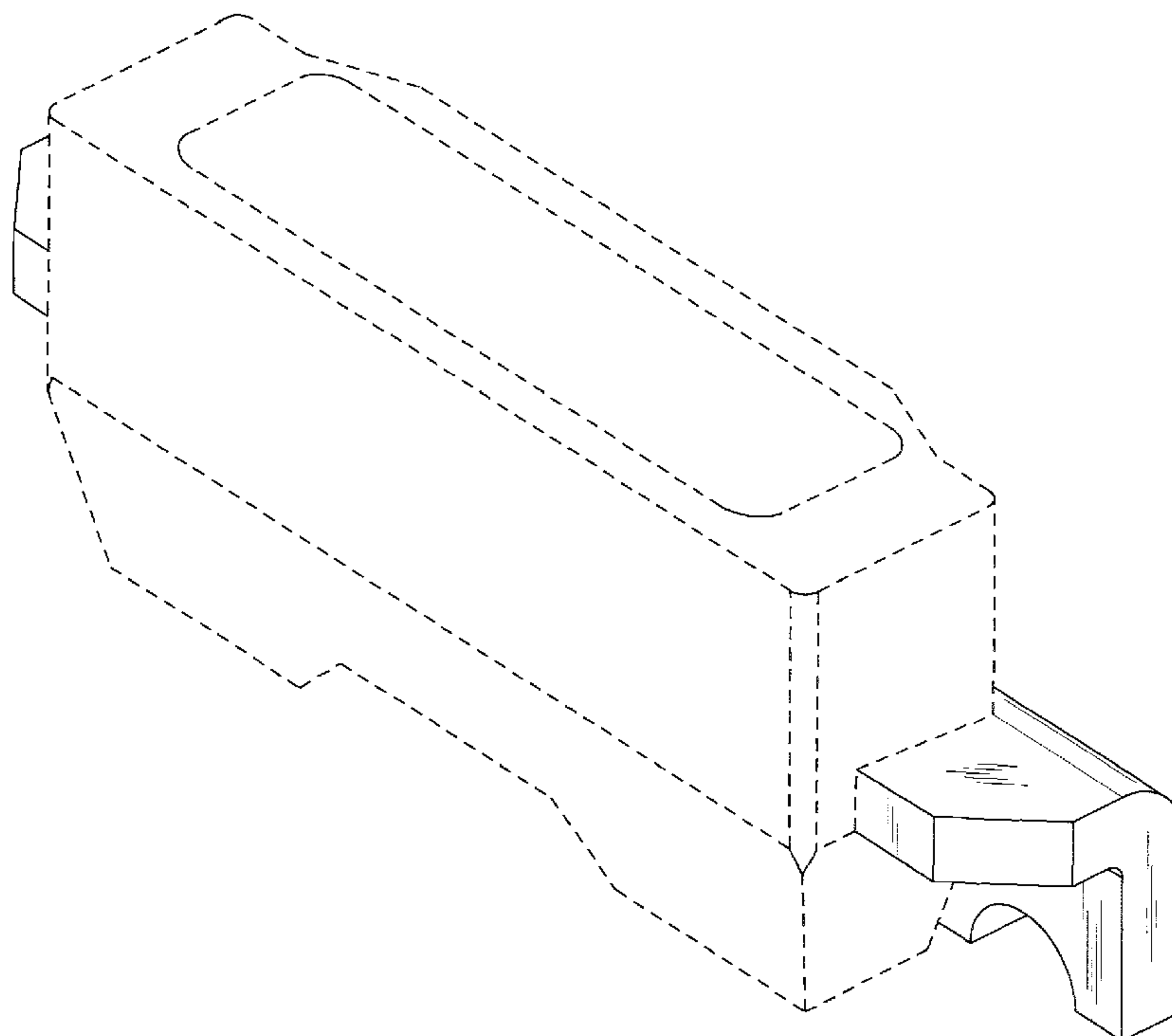
FIG. 6 is a rear elevation view thereof;

FIG. 7 is a left elevation view thereof; and,

FIG. 8 is a right elevation view thereof.

Features of the drawing figures shown in dashed lines are for illustrative purposes only and form no part of the claimed design of the subject embodiment.

1 Claim, 6 Drawing Sheets



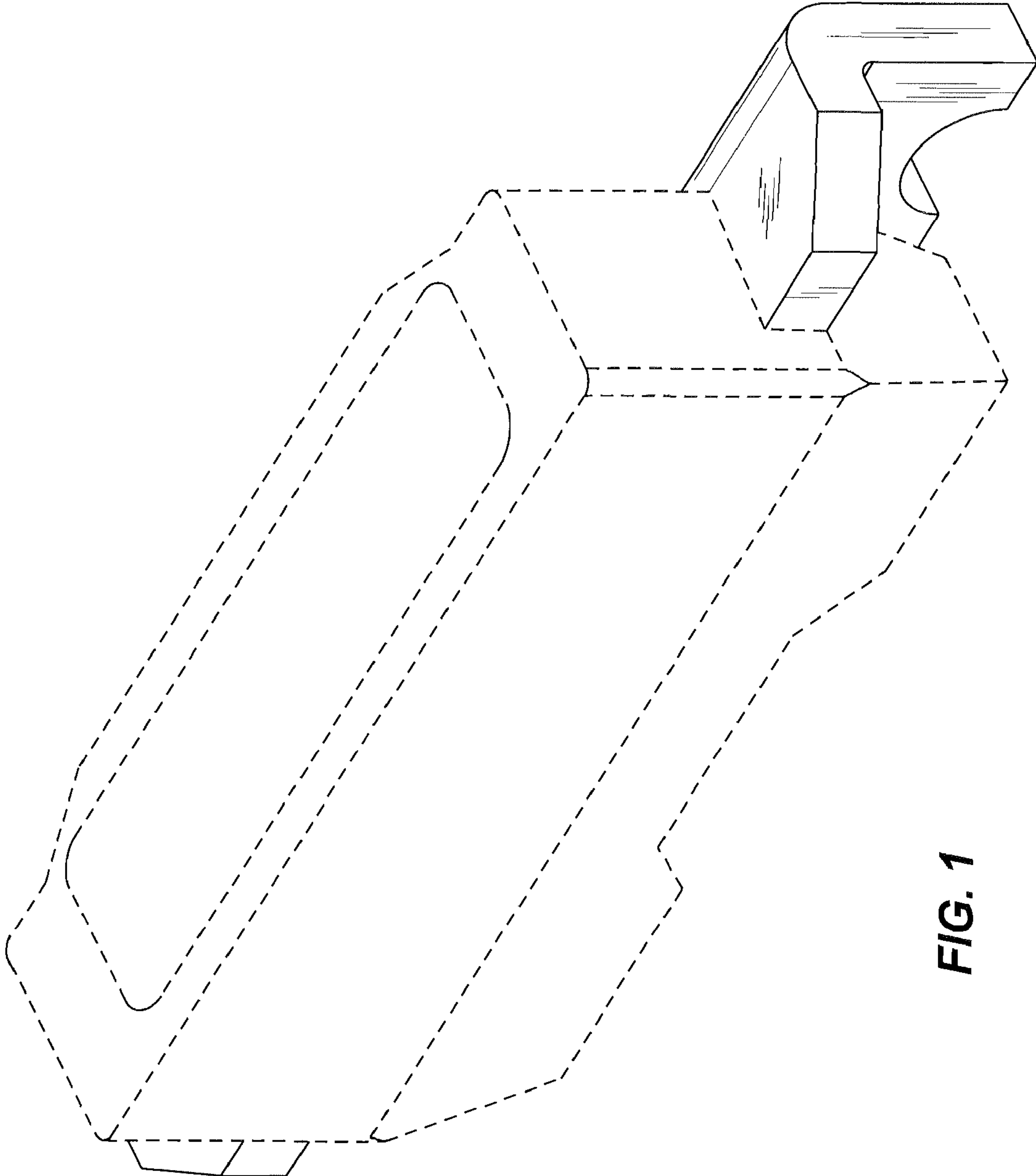


FIG. 1

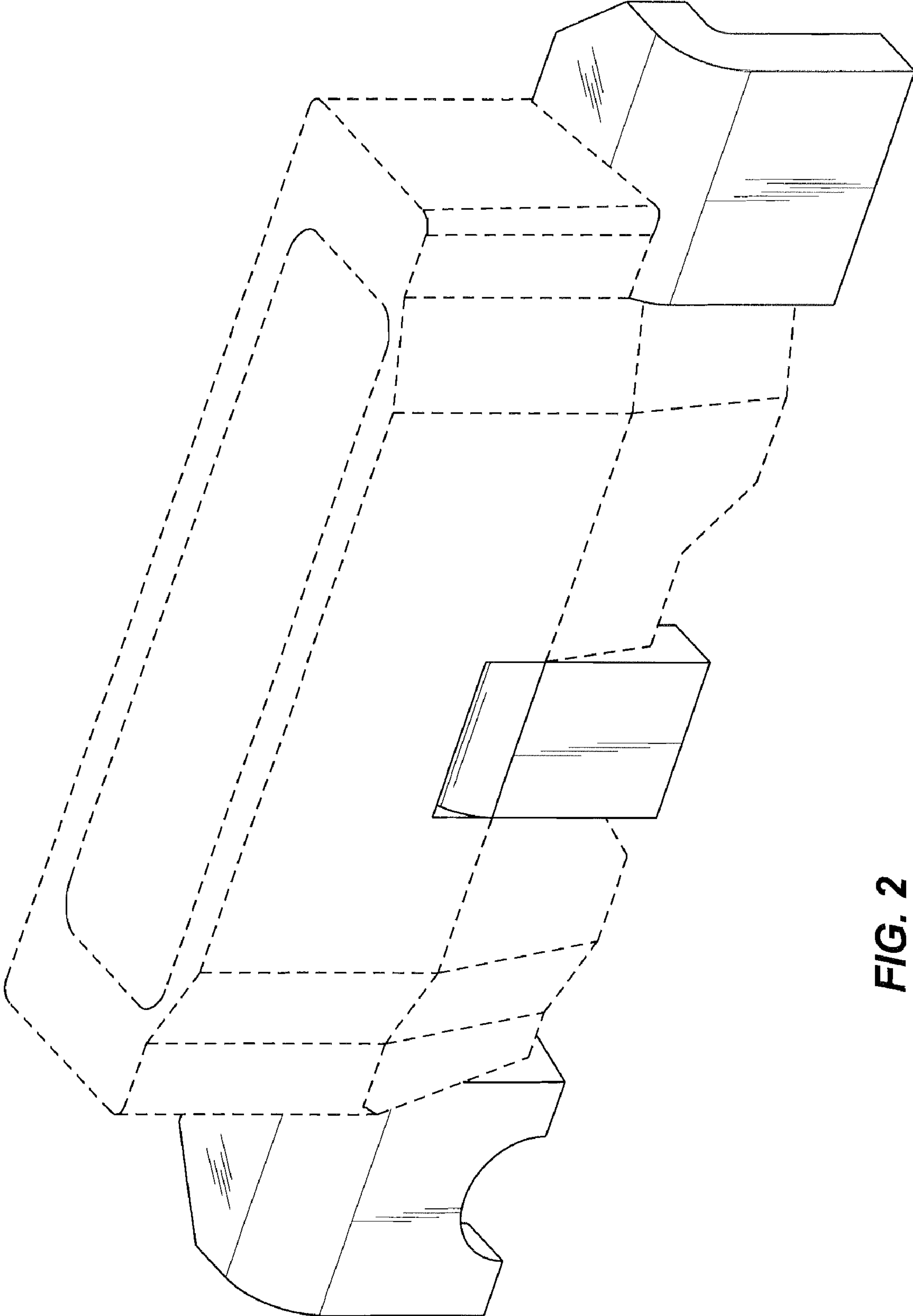


FIG. 2

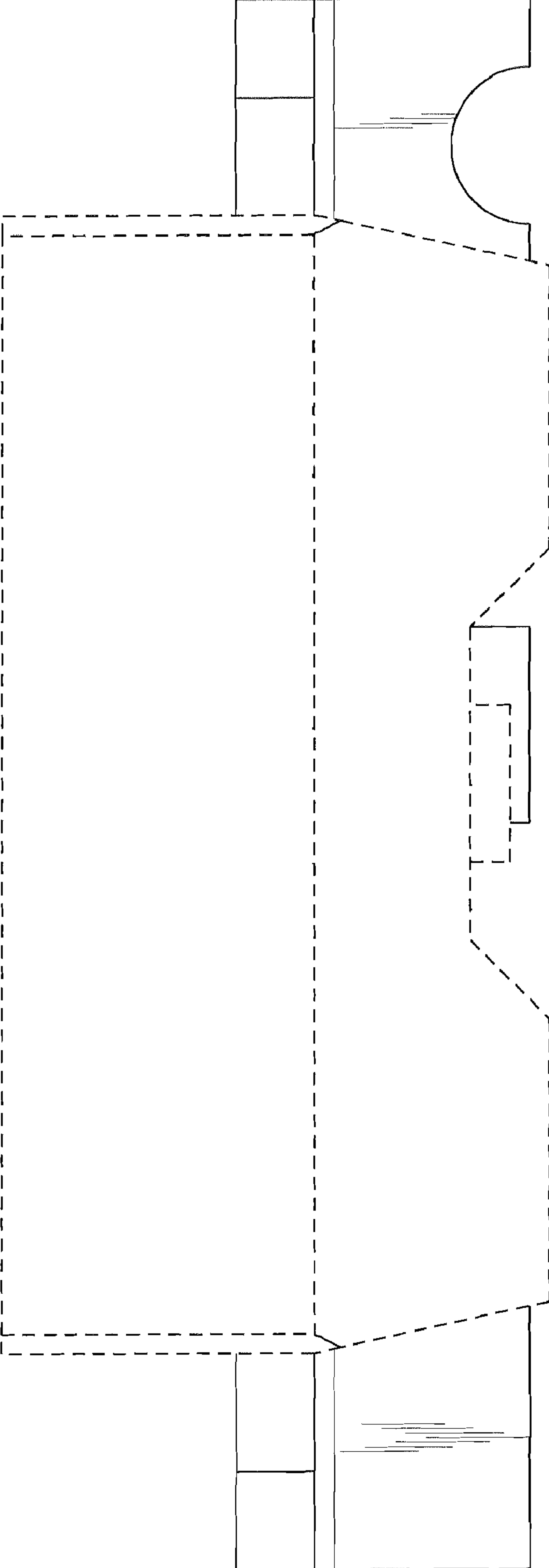


FIG. 3

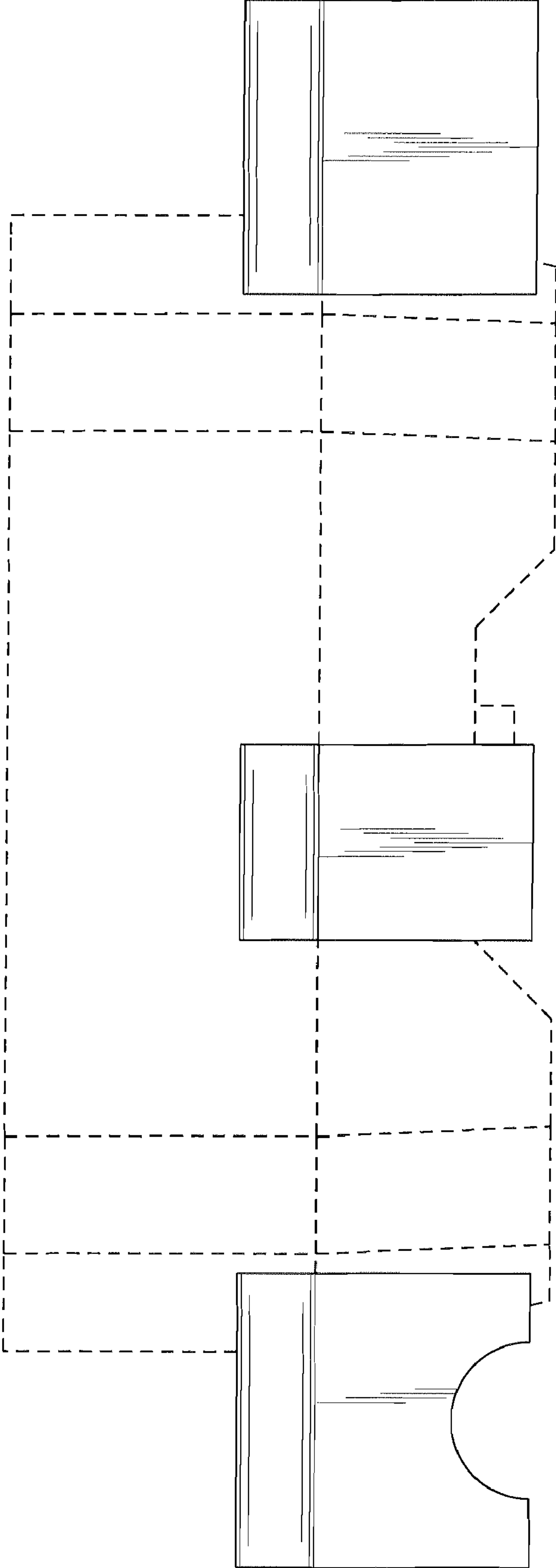


FIG. 4

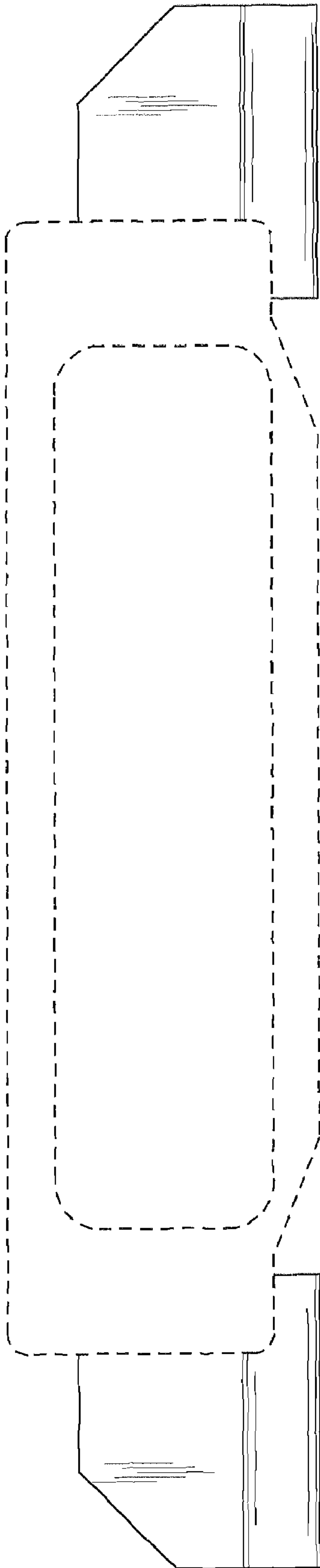


FIG. 5

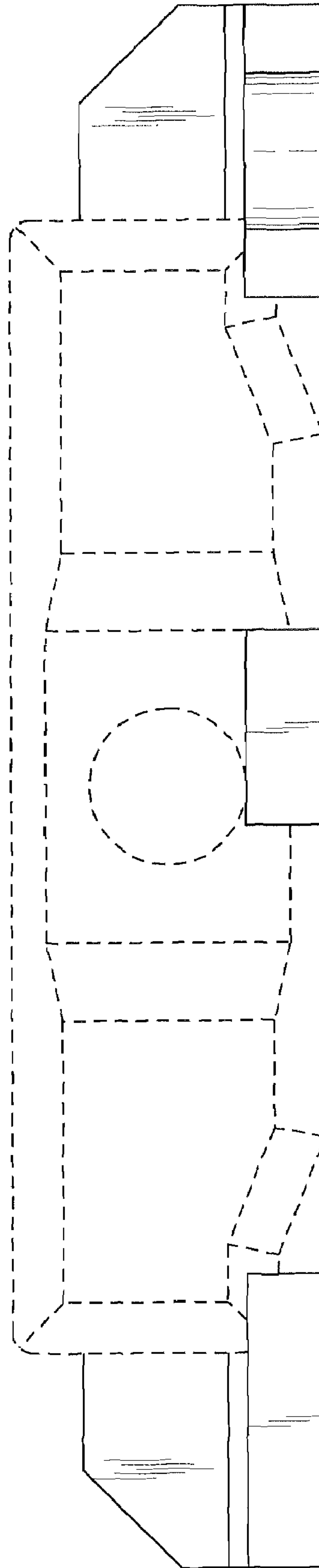


FIG. 6

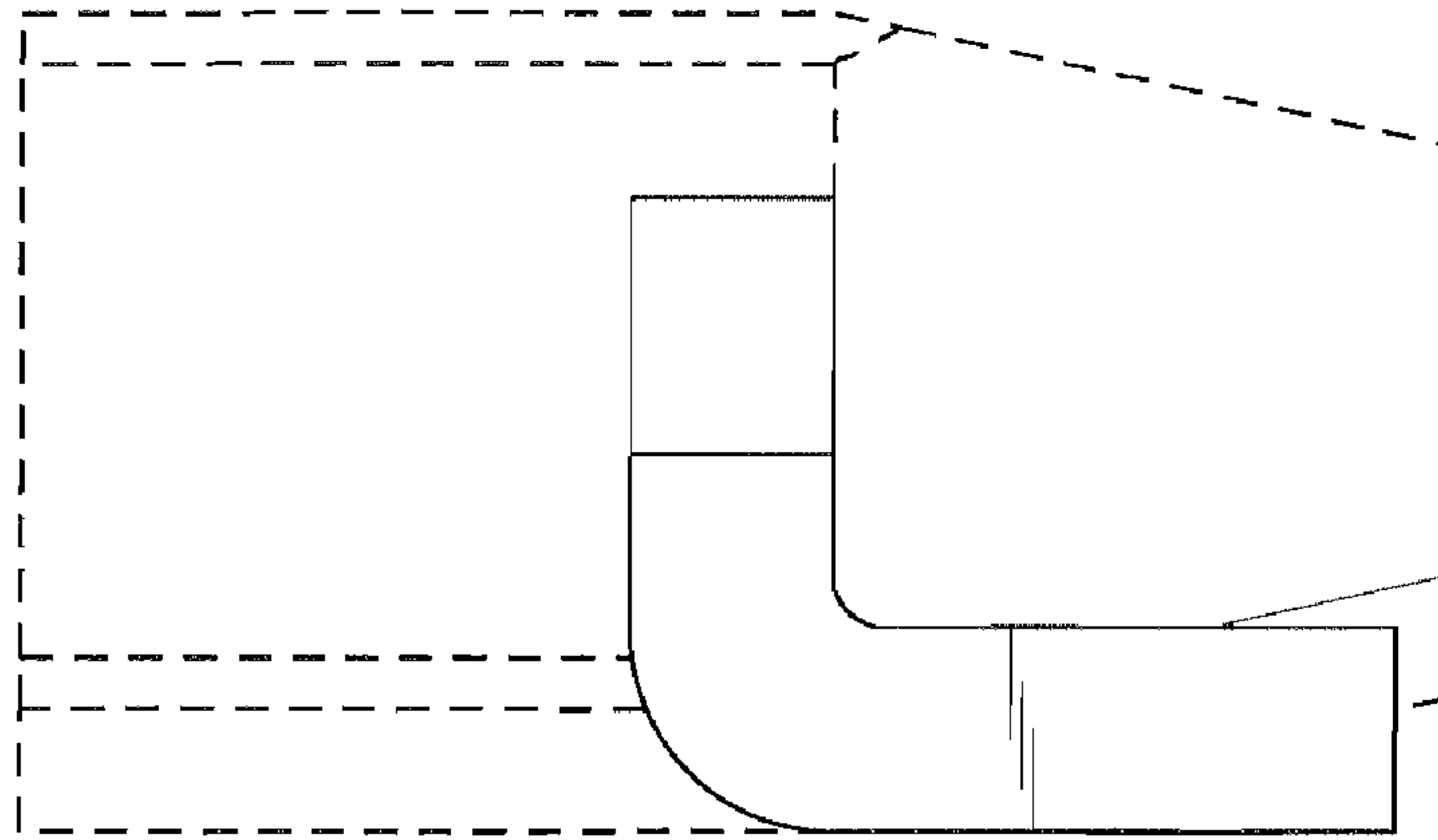


FIG. 7

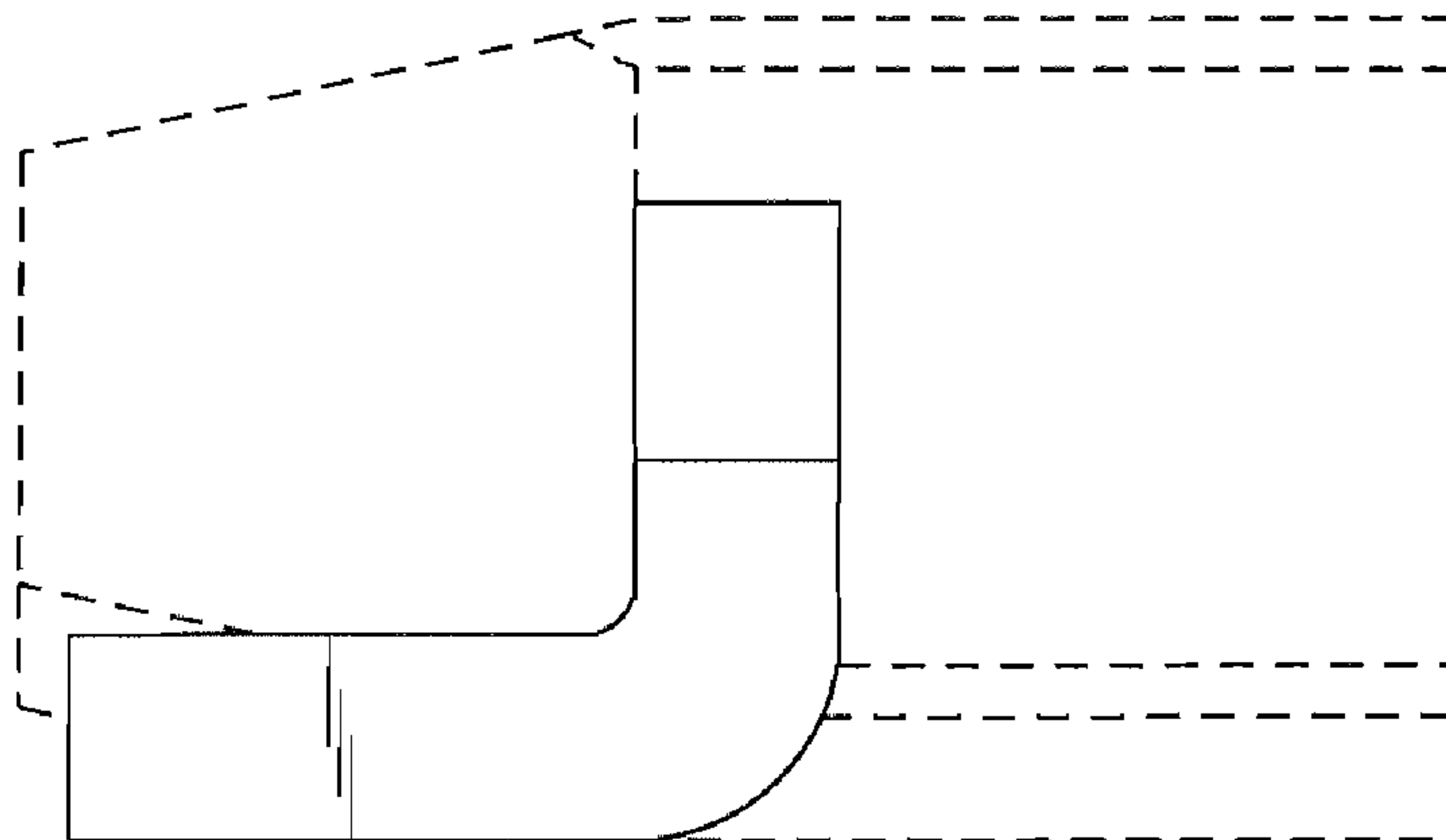


FIG. 8