



US00D602882S

(12) **United States Design Patent**  
**Hosaka et al.**

(10) **Patent No.:** **US D602,882 S**  
(45) **Date of Patent:** **\*\* Oct. 27, 2009**

(54) **WAFER CARRYING-IN/OUT APPARATUS**

(75) Inventors: **Hiroki Hosaka**, Nirasaki (JP); **Shuji Akiyama**, Nirasaki (JP); **Tadashi Obikane**, Nirasaki (JP)

(73) Assignee: **Tokyo Electron Limited**, Tokyo (JP)

(\*\*) Term: **14 Years**

(21) Appl. No.: **29/322,398**

(22) Filed: **Aug. 4, 2008**

**Related U.S. Application Data**

(62) Division of application No. 29/266,907, filed on Oct. 2, 2006.

(30) **Foreign Application Priority Data**

Mar. 30, 2006 (JP) ..... 2006-008283

(51) **LOC (9) Cl.** ..... **13-03**

(52) **U.S. Cl.** ..... **D13/180**

(58) **Field of Classification Search** ..... D13/182;  
118/500, 719; 250/307, 310, 311; 414/217,  
414/222.01, 935, 936, 937

See application file for complete search history.

(56) **References Cited**

**U.S. PATENT DOCUMENTS**

5,364,222 A 11/1994 Akimoto et al.  
5,498,199 A \* 3/1996 Karlsrud et al. .... 451/289  
5,628,828 A 5/1997 Kawamura et al.  
6,033,521 A 3/2000 Allen et al.  
6,405,610 B1 6/2002 Komatsu et al.

6,580,087 B1 6/2003 Suzuki et al.  
7,109,483 B2 9/2006 Nakasuji et al.  
2002/0028399 A1 3/2002 Nakasuji et al.  
2003/0169916 A1 9/2003 Hayashi et al.  
2004/0095575 A1 5/2004 Woo et al.  
2004/0141831 A1 7/2004 Gilchrist et al.  
2004/0146378 A1 7/2004 Okabe et al.  
2007/0031236 A1 2/2007 Chen  
2007/0098527 A1 5/2007 Hall et al.

\* cited by examiner

*Primary Examiner*—Selina Sikder

(74) *Attorney, Agent, or Firm*—Oblon, Spivak, McClelland, Maier & Neustadt, L.L.P.

(57) **CLAIM**

The ornamental design for a wafer carrying-in/out apparatus or the like, as shown and described.

**DESCRIPTION**

FIG. 1 is a front elevational view of a wafer carrying-in/out apparatus showing our design;

FIG. 2 is a left side elevational view thereof;

FIG. 3 is a right side elevational view thereof;

FIG. 4 is a rear elevational view thereof;

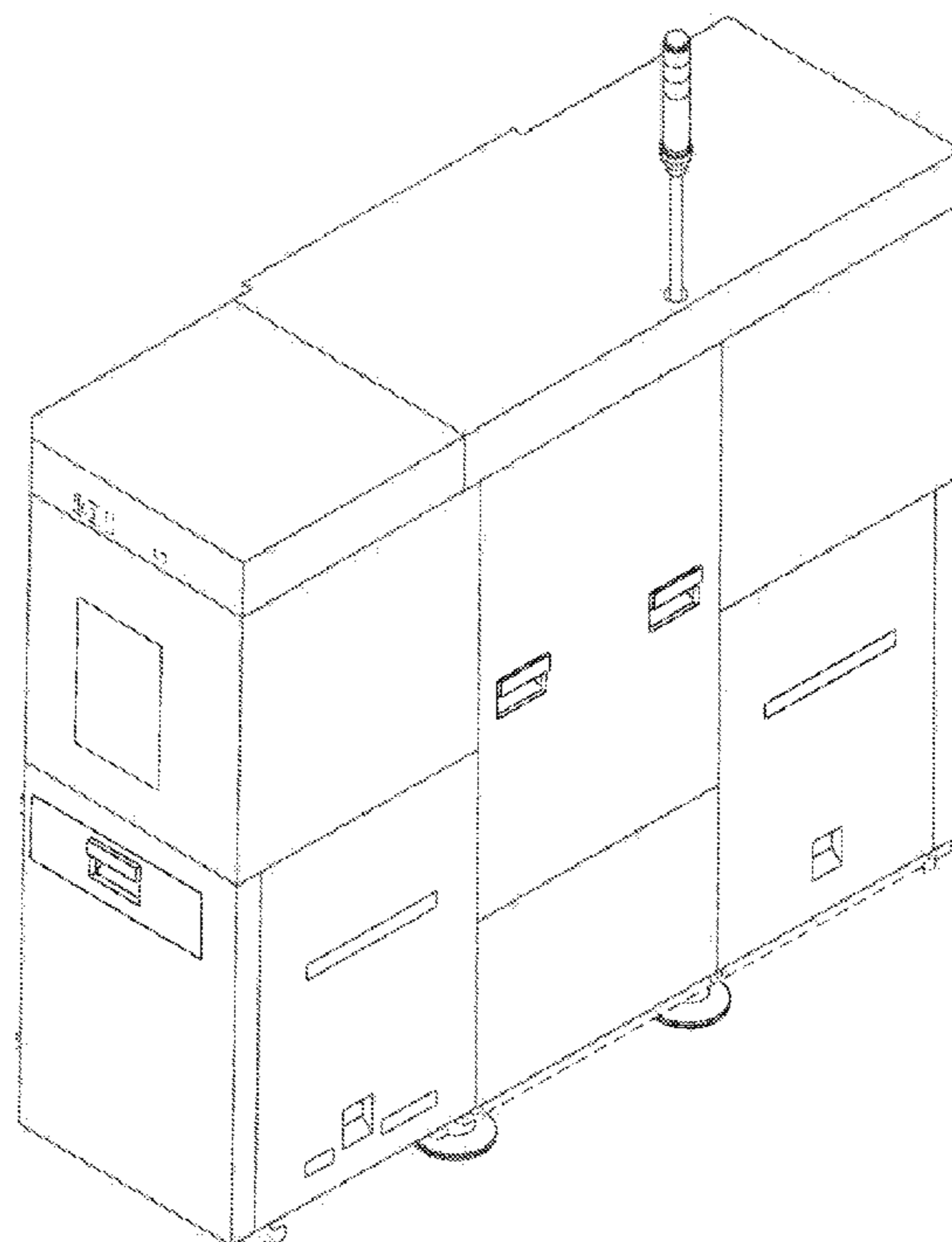
FIG. 5 is a top plan view thereof;

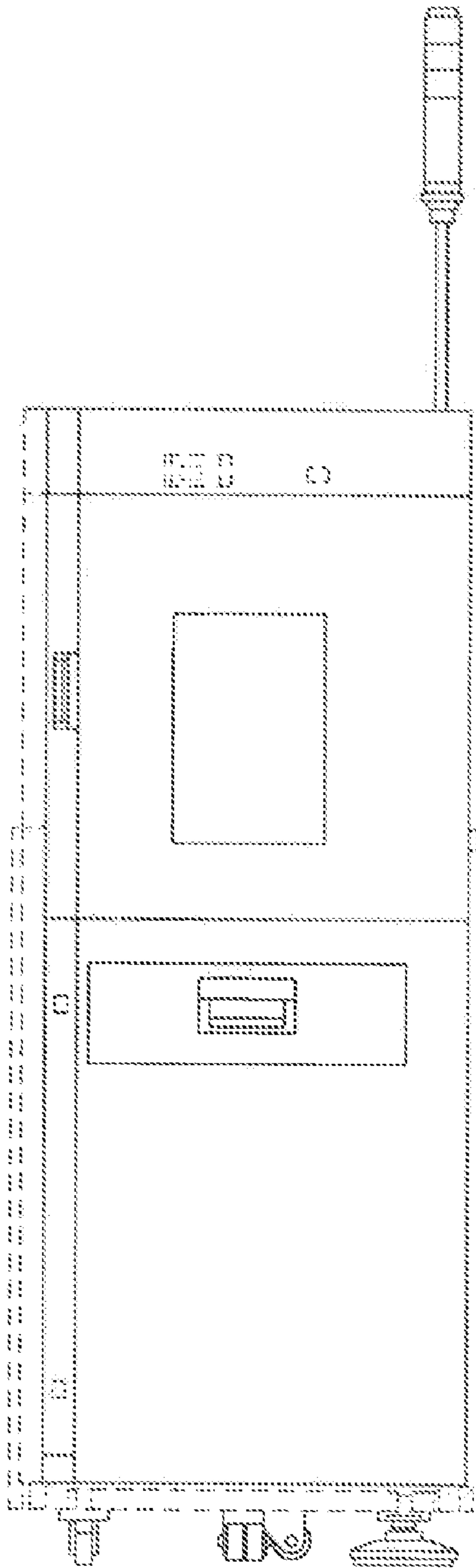
FIG. 6 is a bottom plan view thereof;

FIG. 7 is a top, front and right side perspective view thereof; and,

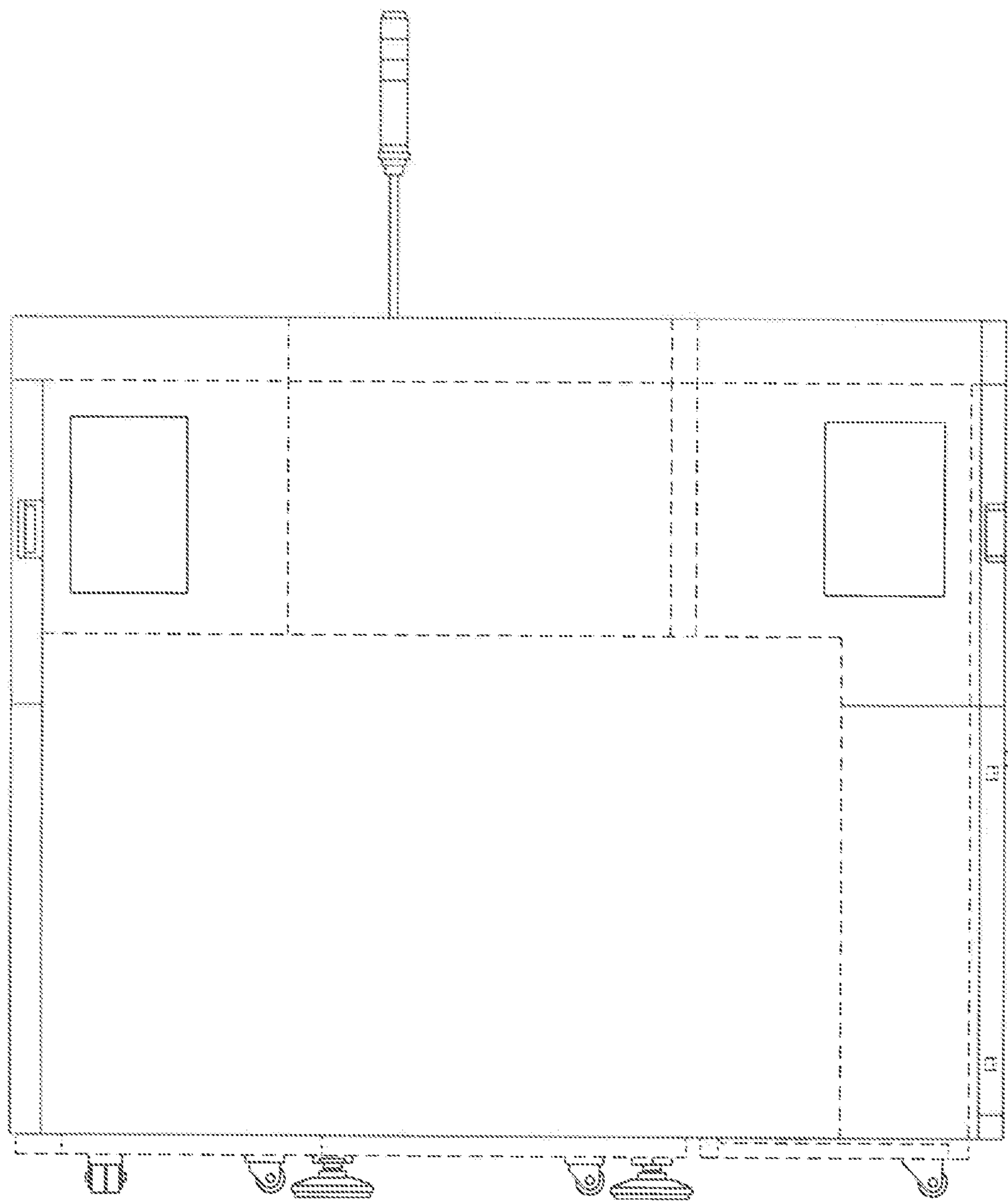
FIG. 8 is a top, front and right side perspective view thereof shown with the doors thereof in an open position.

**1 Claim, 8 Drawing Sheets**

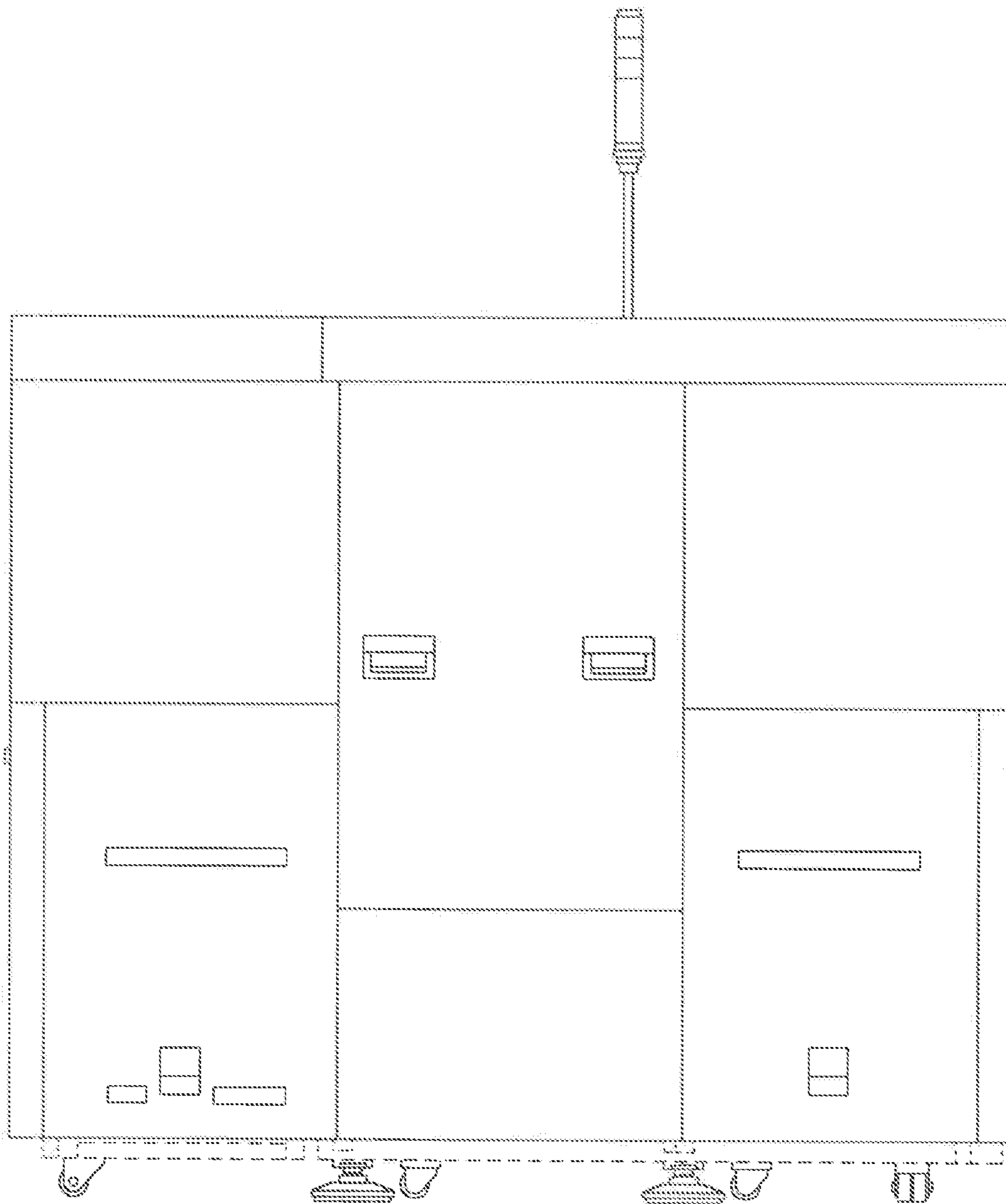




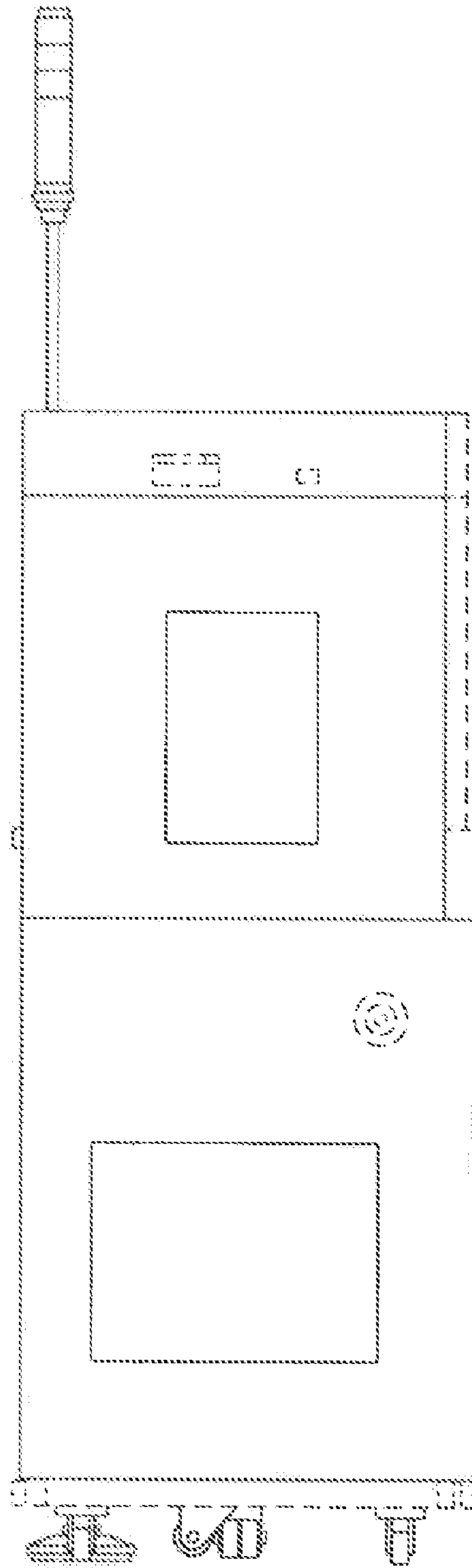
*Fig. 1*



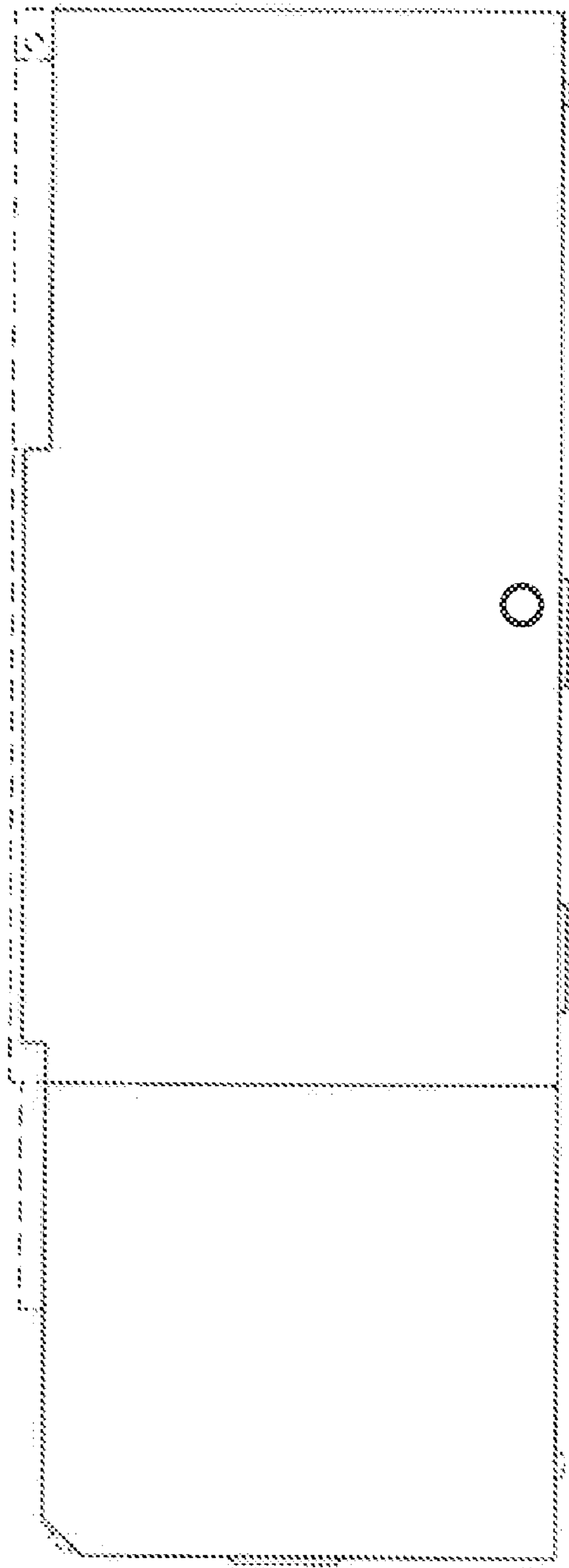
*Fig. 2*



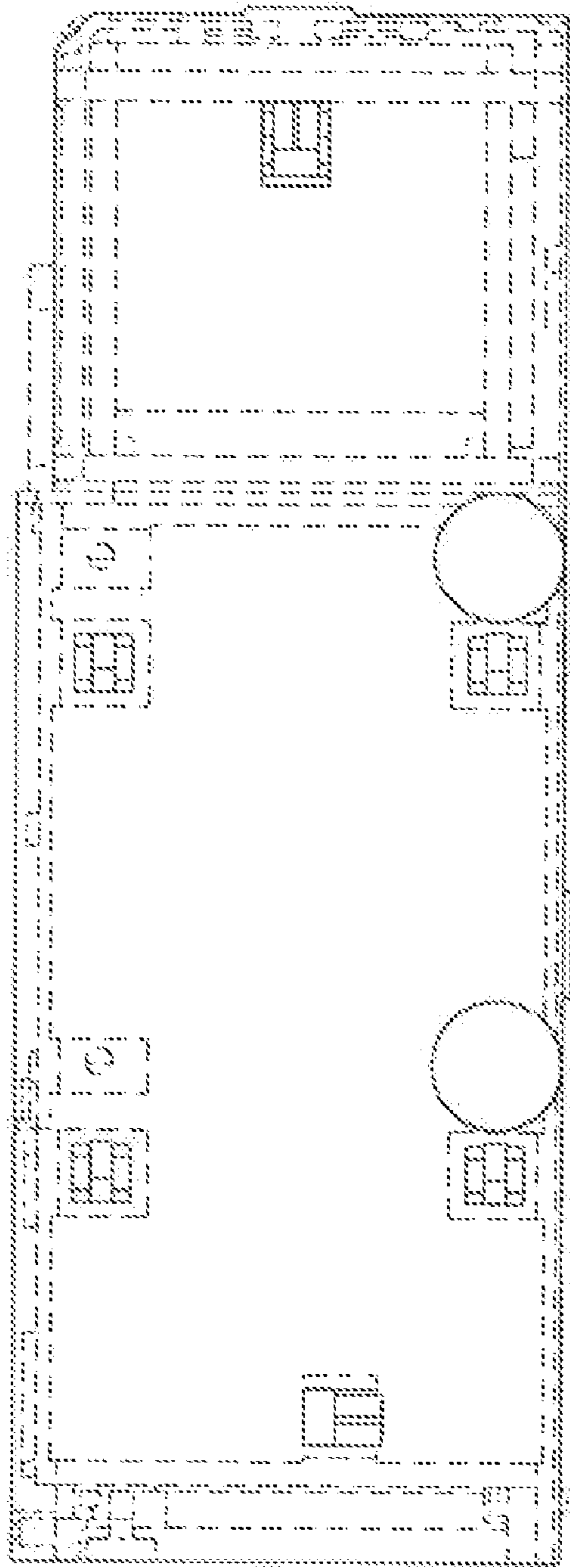
*Fig. 3*



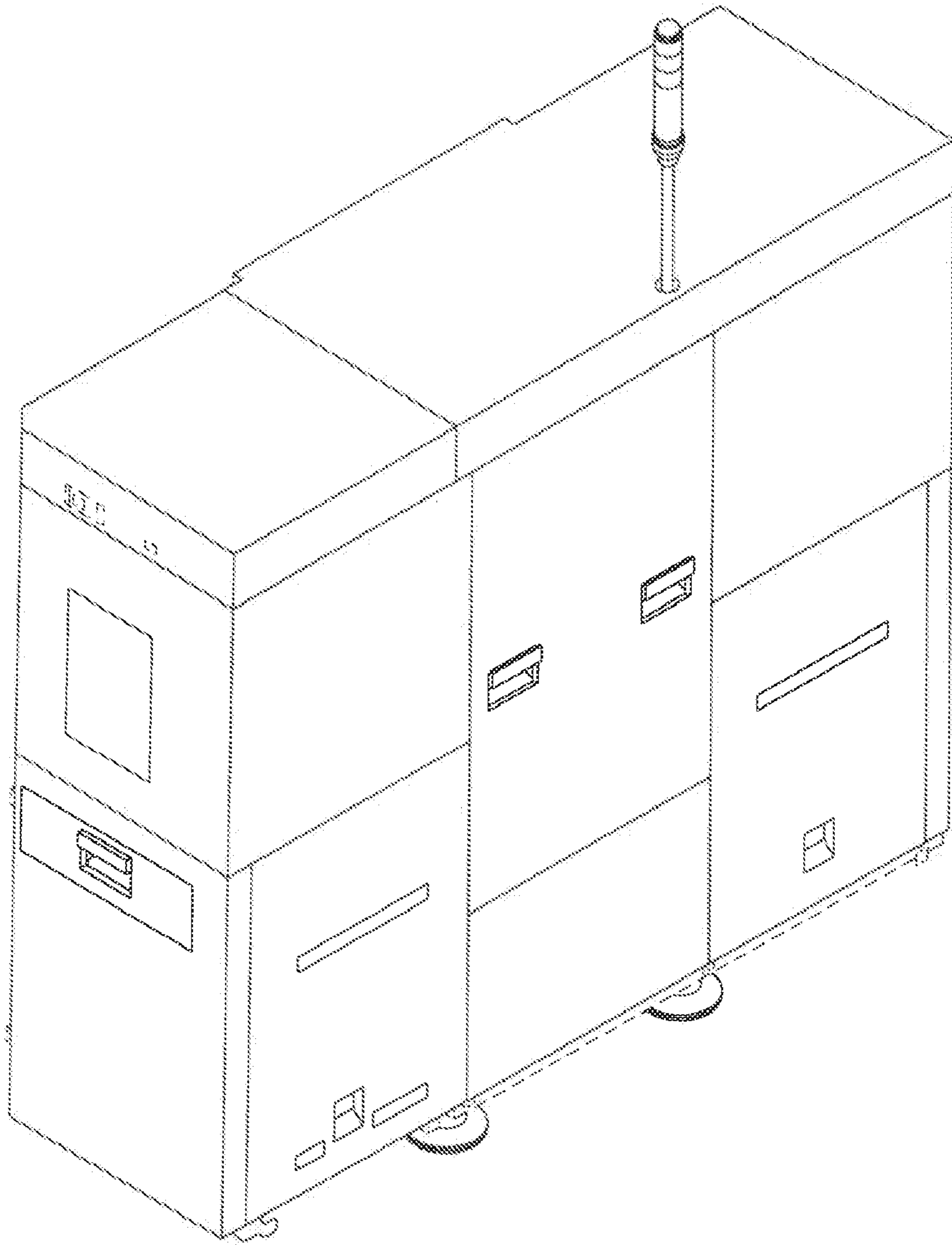
*Fig. 4*



*Fig. 5*

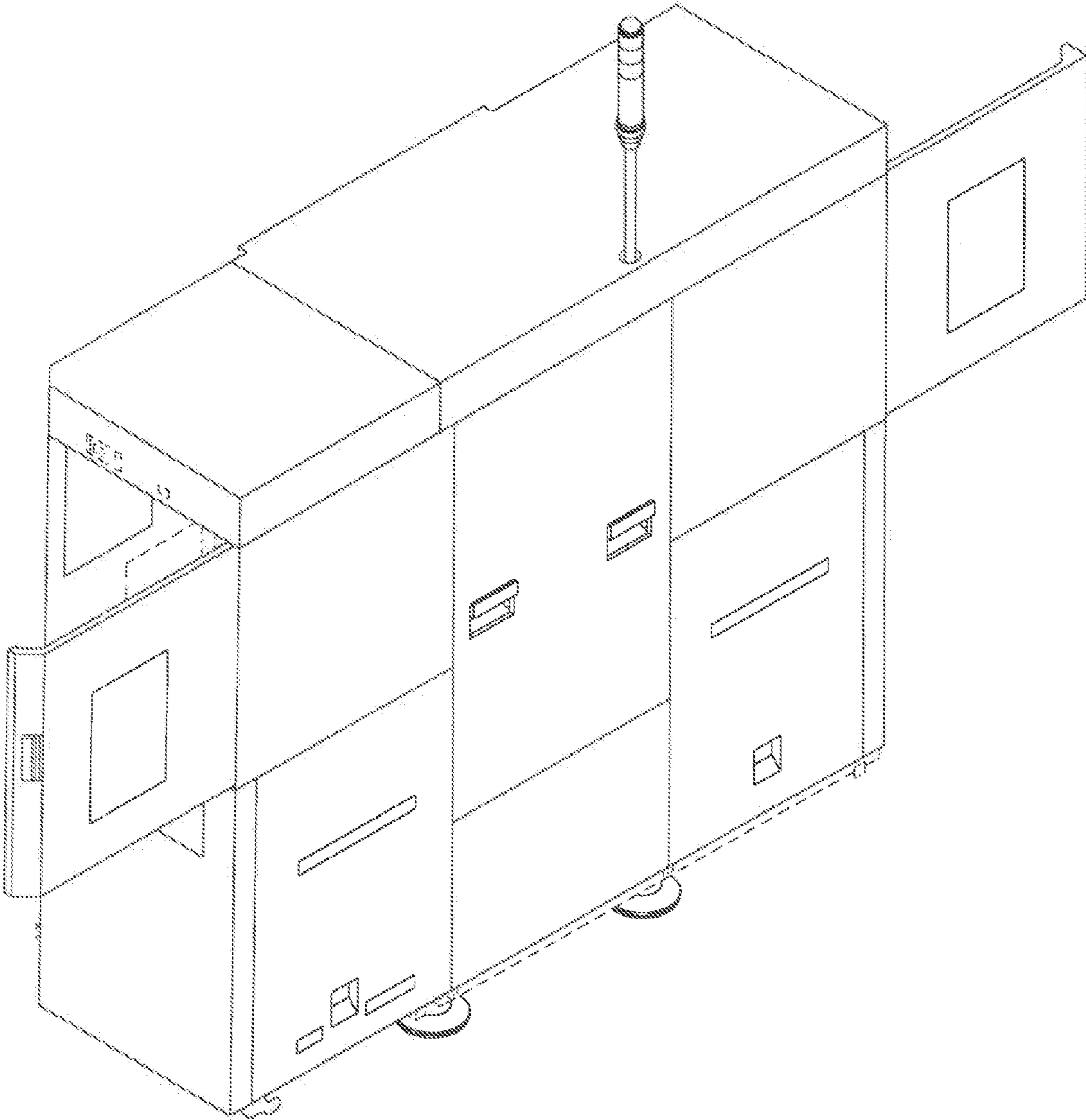


*Fig. 6*



*Fig. 7*





*Fig. 8*