



US00D602881S

(12) **United States Design Patent**
Lando et al.

(10) **Patent No.:** **US D602,881 S**
(45) **Date of Patent:** **** Oct. 27, 2009**

(54) **PUSH BUTTON SELECTIVE CONTROL**

(75) Inventors: **Marzio Lando**, Sant'Angelo di Piove (IT); **Michele Anghelidis**, Padua (IT)

(73) Assignee: **Elvox Costruzioni Elettroniche S.p.A.** (IT)

(**) Term: **14 Years**

(21) Appl. No.: **29/310,157**

(22) Filed: **Jul. 28, 2008**

(30) **Foreign Application Priority Data**

Jan. 31, 2008 (EM) 0008700308

(51) **LOC (9) Cl.** **13-03**

(52) **U.S. Cl.** **D13/171**

(58) **Field of Classification Search** D13/158, D13/171, 174, 177; 174/66; 200/5 R, 5 A, 200/1 B, 293, 296, 329, 406, 513, 520, 530, 200/302.1, 302.2, 314, 315, 341, 344; 315/291-296; 338/198-200; D10/118; 340/539.14
See application file for complete search history.

(56) **References Cited**

U.S. PATENT DOCUMENTS

D122,293 S * 9/1940 Guild D13/171
D427,153 S * 6/2000 Taylor D13/158

D451,892 S * 12/2001 Carrere D13/174
D484,101 S * 12/2003 Long et al. D13/158
D488,134 S * 4/2004 Pratt D13/164
D559,800 S * 1/2008 Neveu D13/174
D566,662 S * 4/2008 Peng D13/177
2004/0124978 A1 * 7/2004 Chen 340/539.14

* cited by examiner

Primary Examiner—Selina Sidker

(74) *Attorney, Agent, or Firm*—Hedman & Costigan, PC; Kathleen A. Costigan

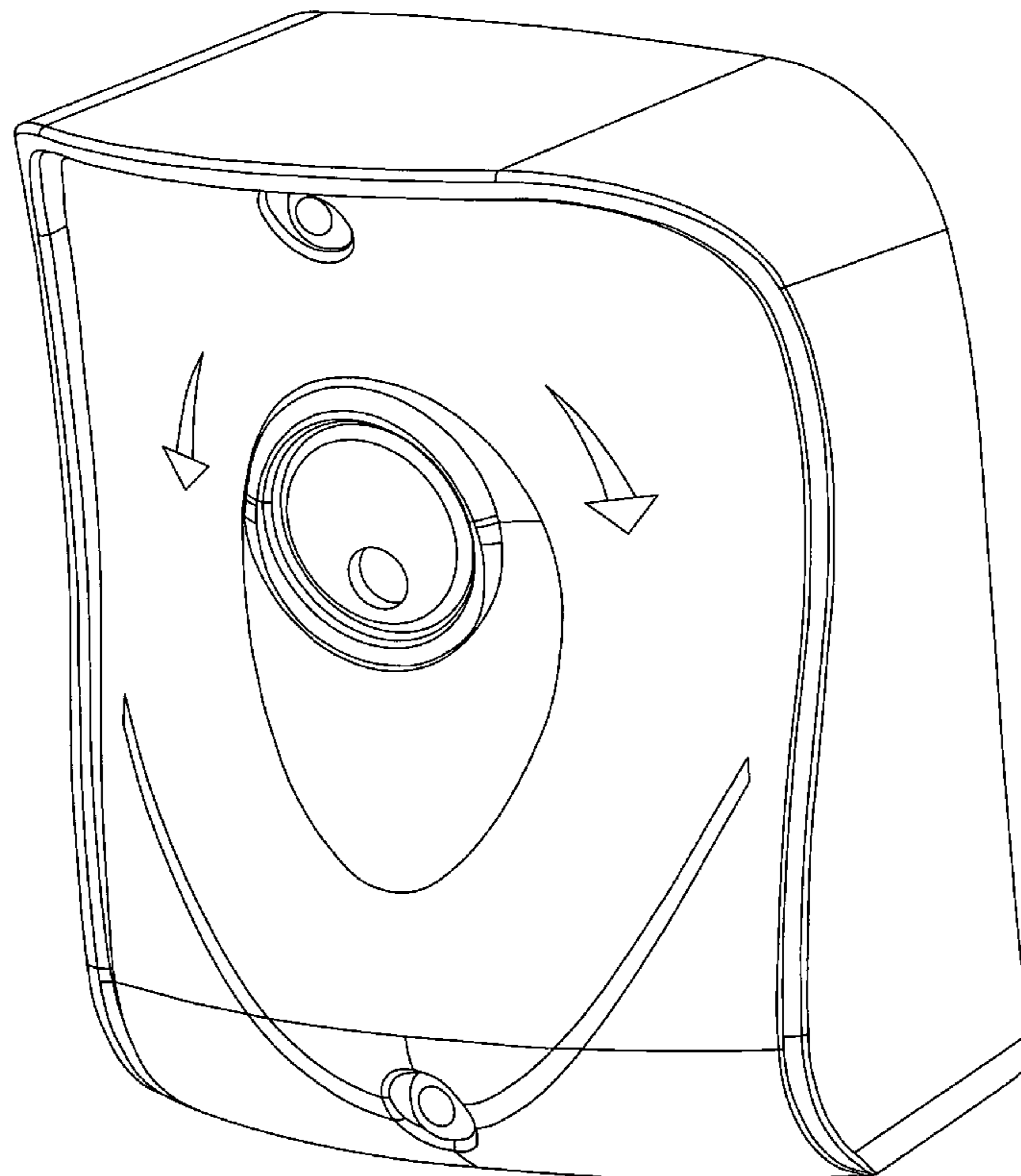
(57) **CLAIM**

The ornamental design for a push button selective control, as shown and described.

DESCRIPTION

FIG. 1 is a front perspective view of a push button selective control showing our new design;
FIG. 2 is a front view thereof;
FIG. 3 is a back view thereof, wherein the broken lines form no part of the claimed design;
FIG. 4 is a left side view thereof;
FIG. 5 is a right side view thereof;
FIG. 6 is top view thereof; and,
FIG. 7 is a bottom view thereof.

1 Claim, 7 Drawing Sheets



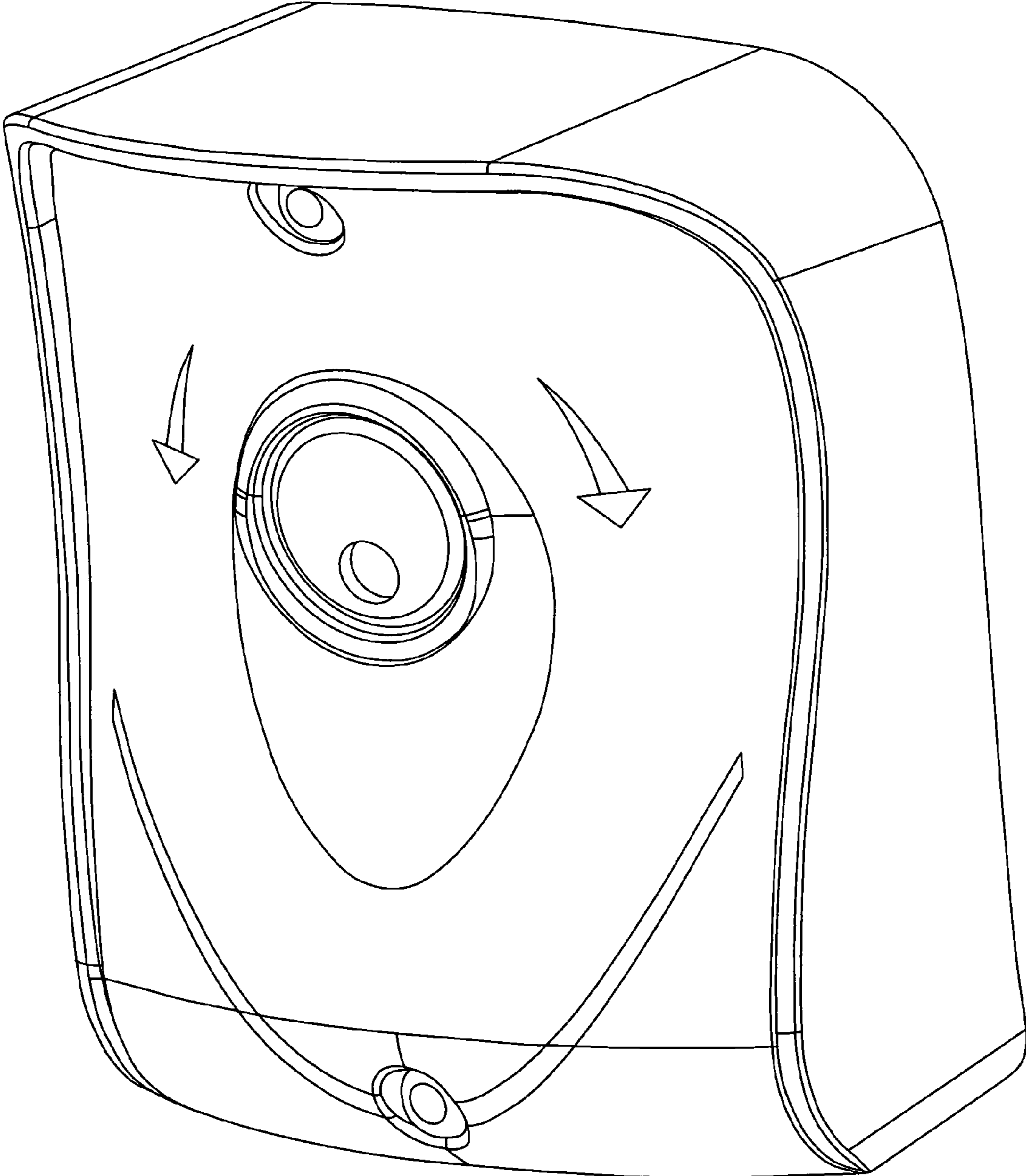


FIG. 1

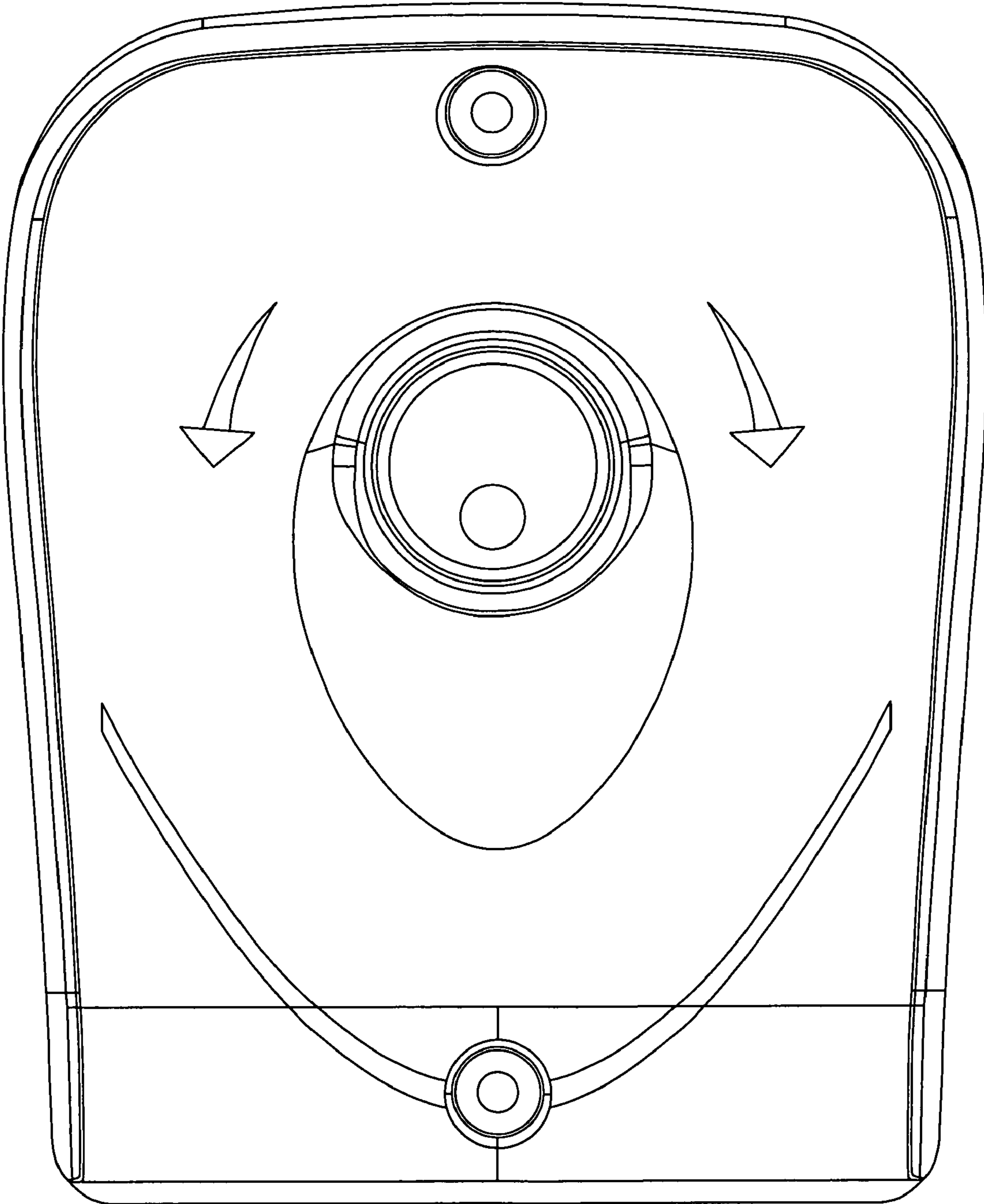


FIG. 2

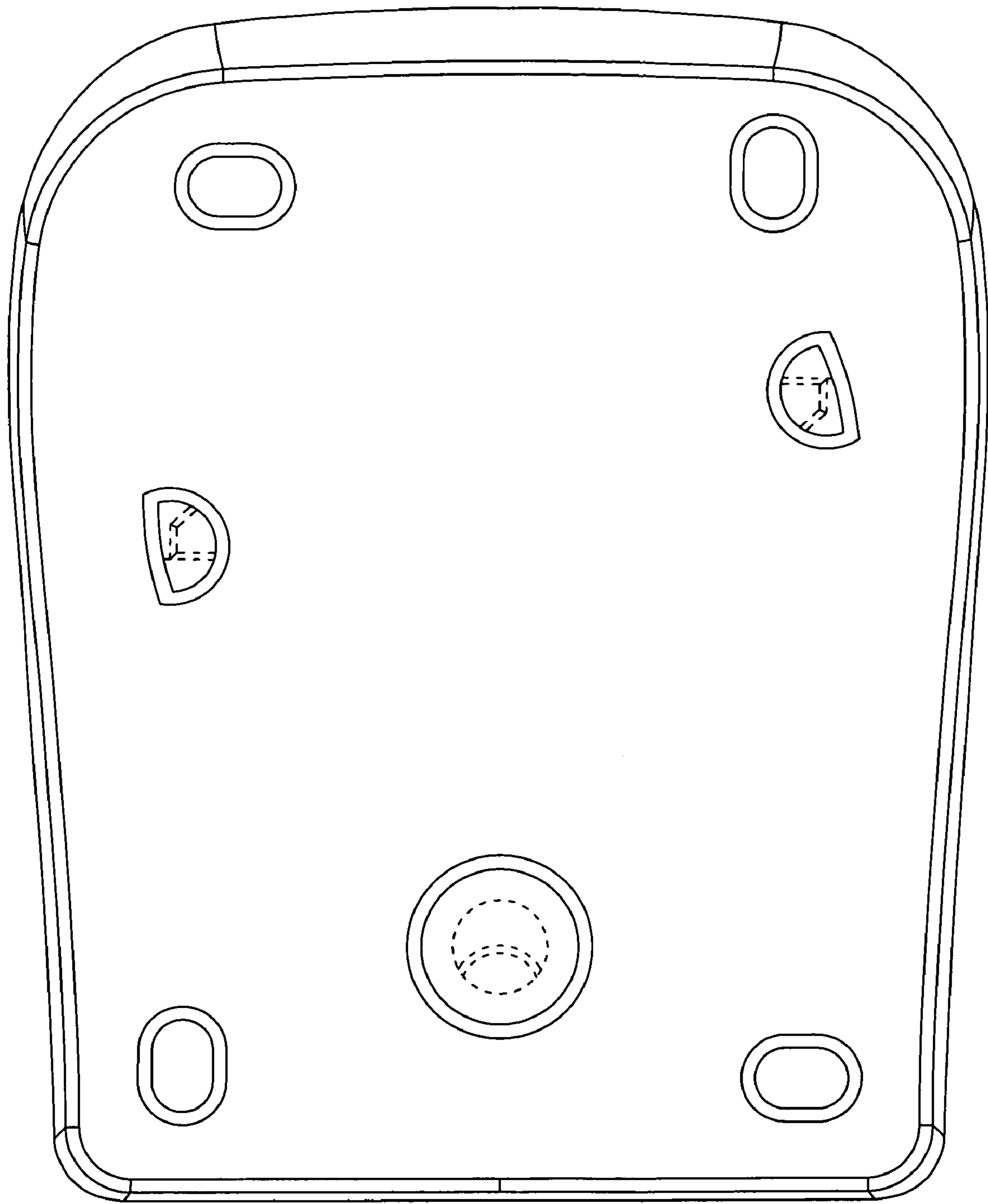


FIG. 3

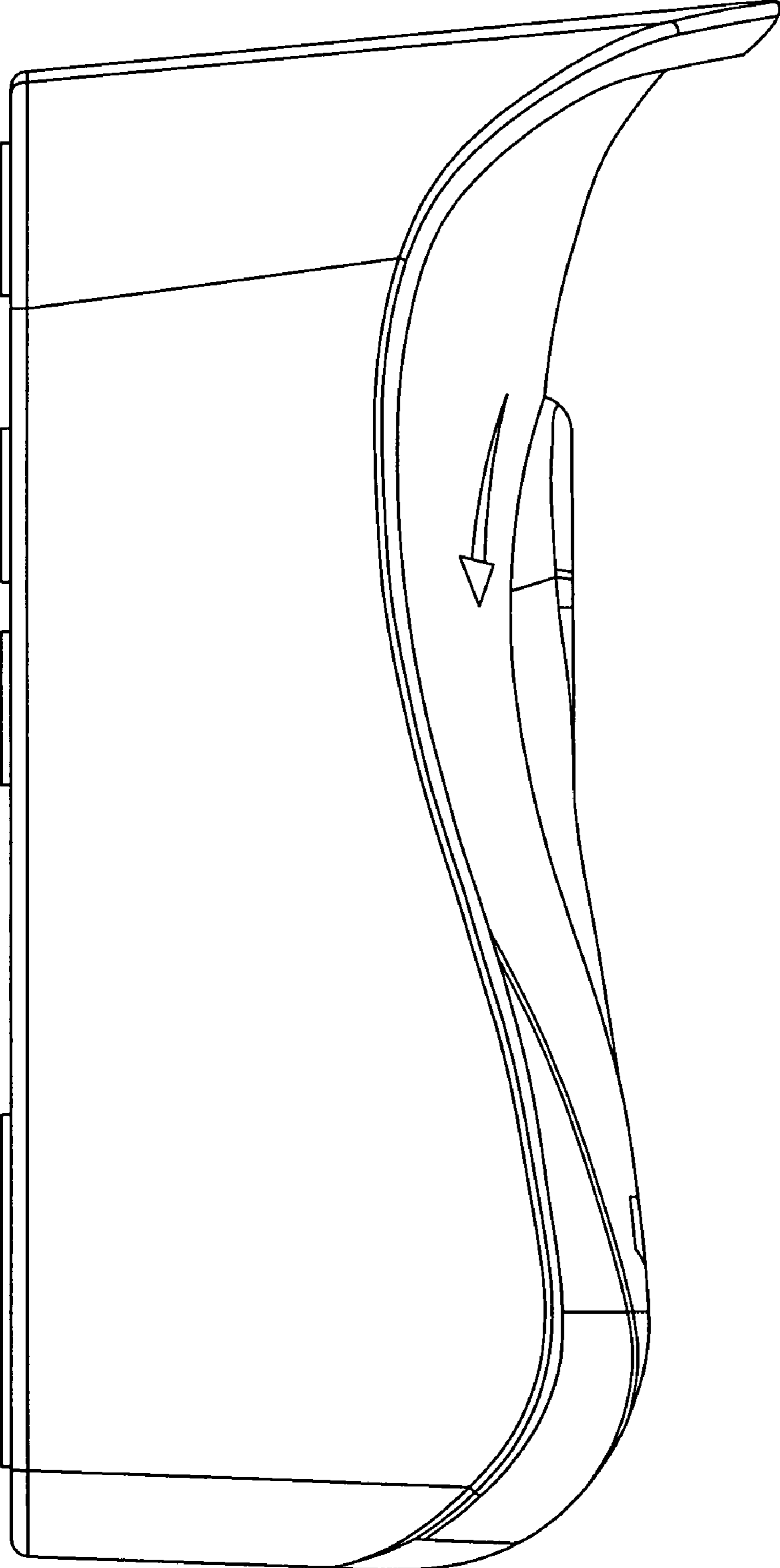


FIG. 4

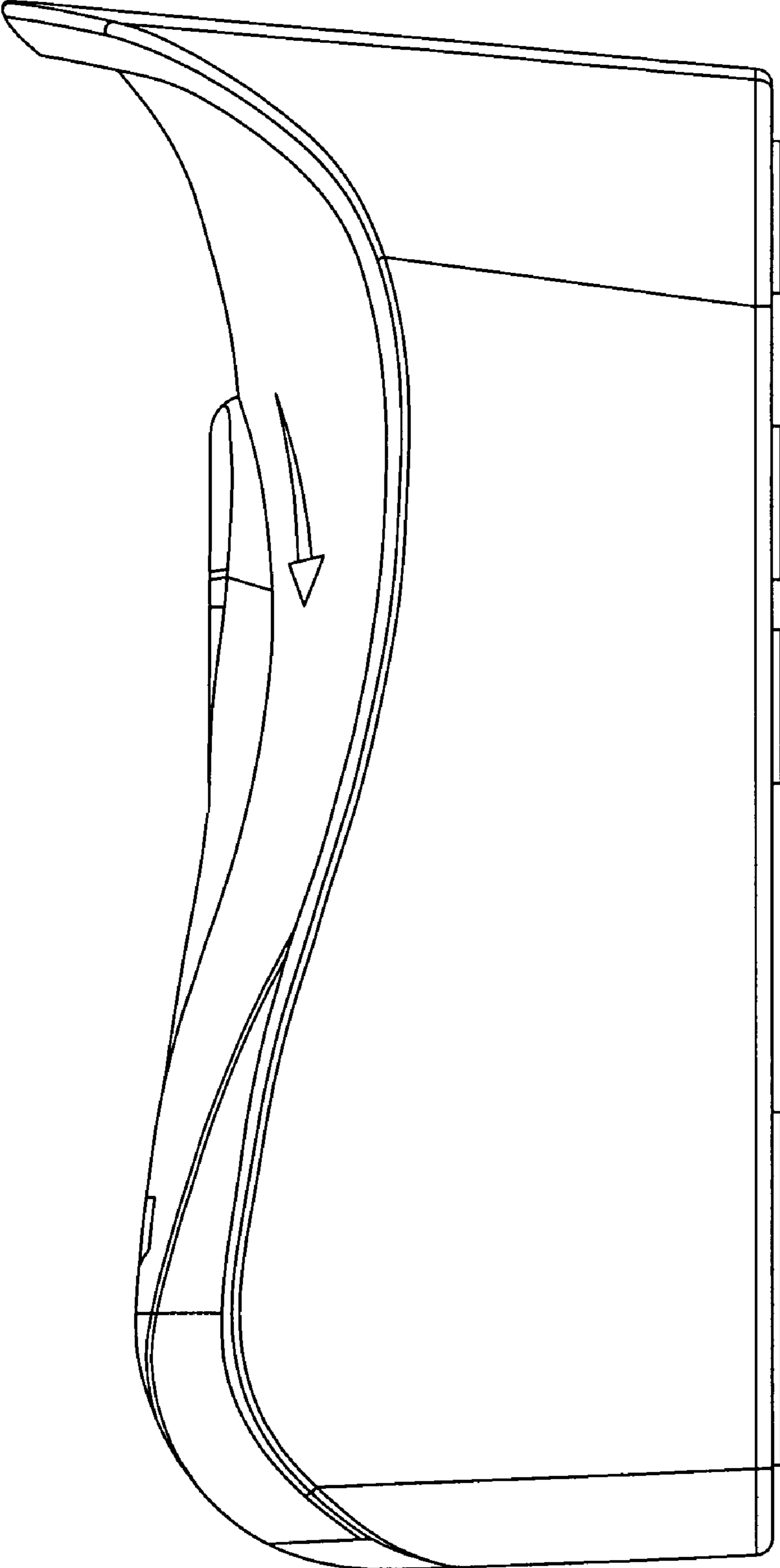


FIG. 5

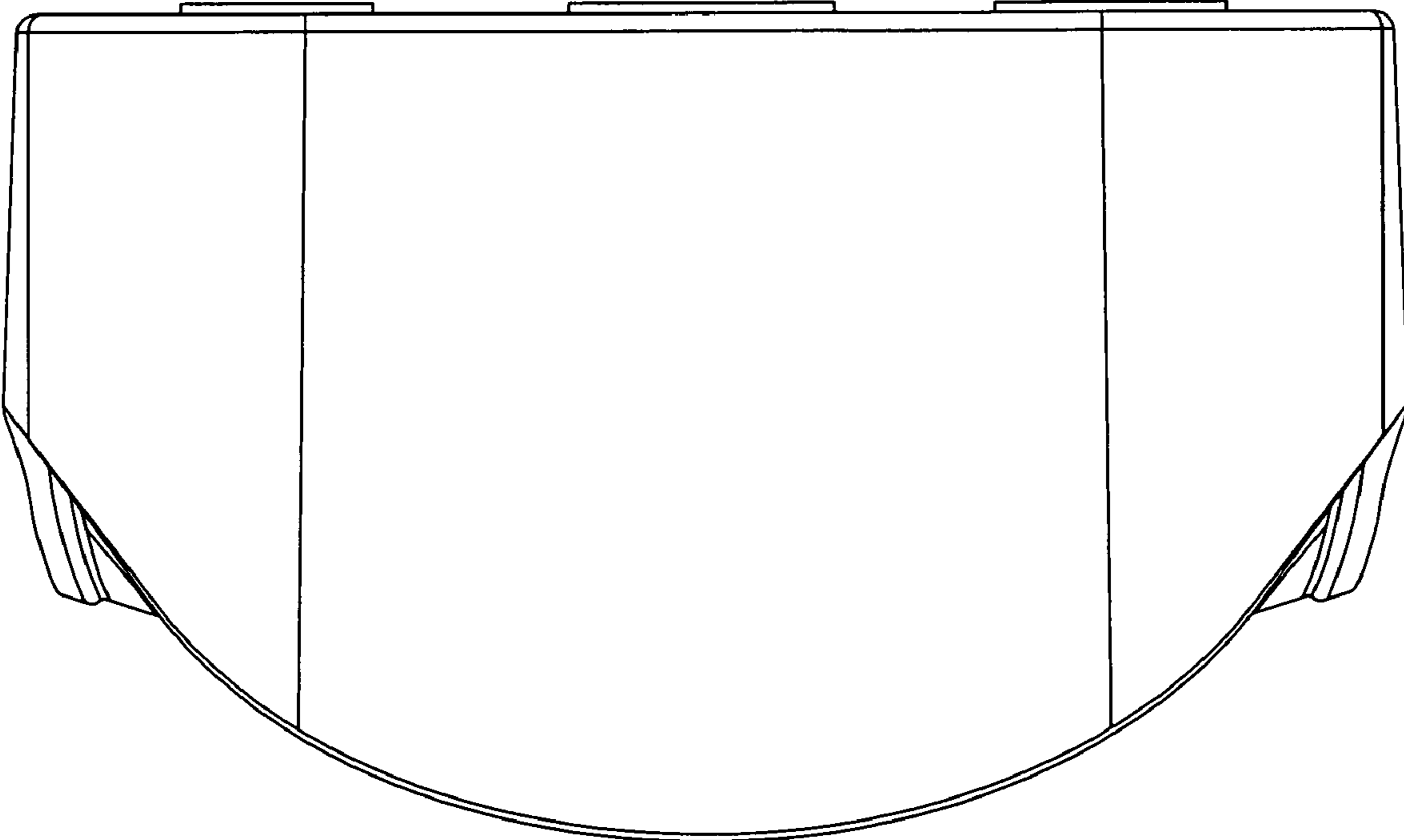


FIG. 6

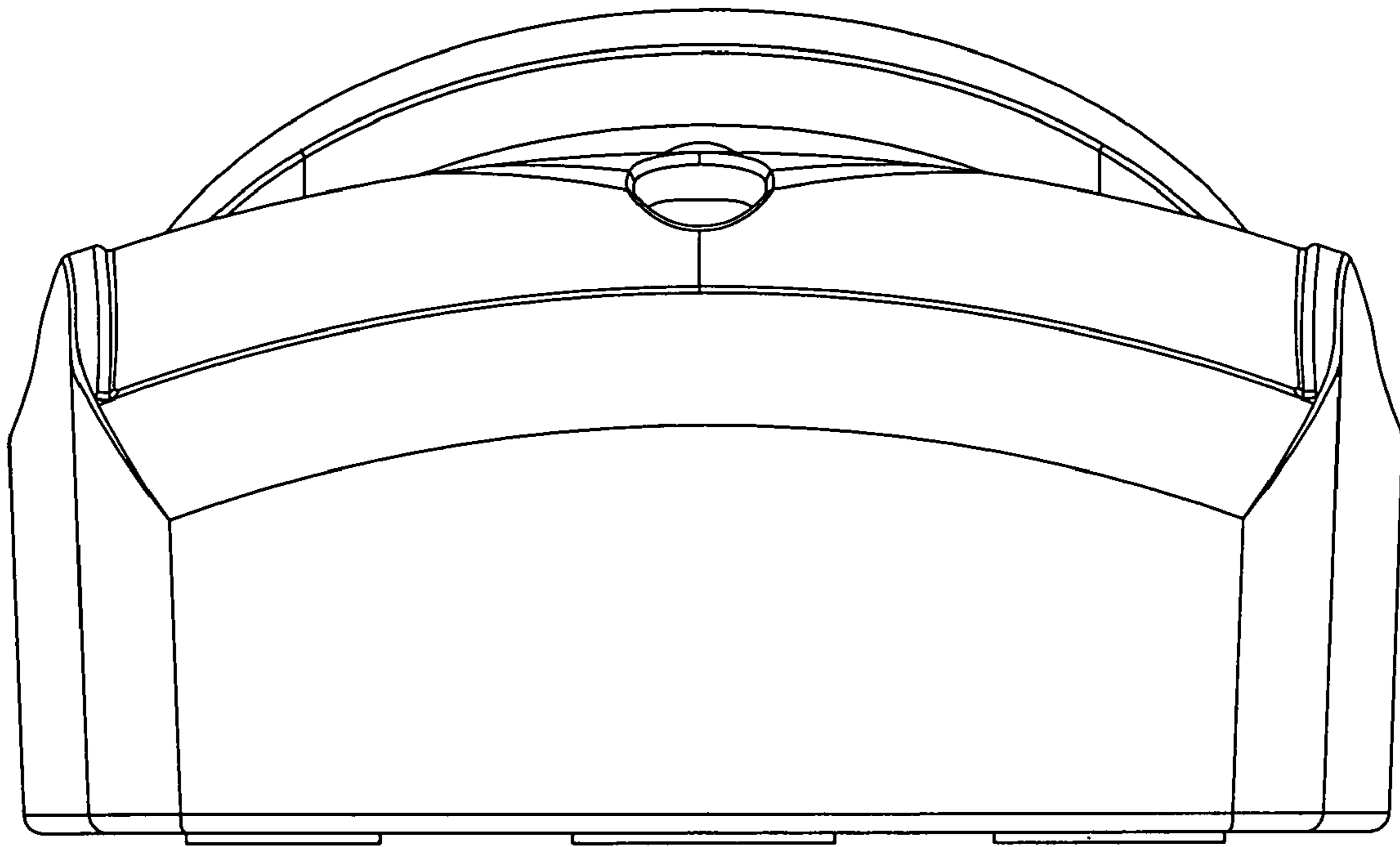


FIG. 7