



US00D602879S

(12) **United States Design Patent**  
**Van Lee Kalbach**

(10) **Patent No.:** **US D602,879 S**

(45) **Date of Patent:** **\*\* Oct. 27, 2009**

(54) **VEHICLE ROOF RACK REMOTE**

(76) **Inventor:** **Edward Van Lee Kalbach**, 575 W. 3200 S., Nibley, UT (US) 84321-6337

(\*\*) **Term:** **14 Years**

(21) **Appl. No.:** **29/324,929**

(22) **Filed:** **Sep. 23, 2008**

(51) **LOC (9) Cl.** ..... **14-03**

(52) **U.S. Cl.** ..... **D13/168**

(58) **Field of Classification Search** ..... D13/144,  
D13/168; D10/104, 106; D14/218, 247;  
340/825.22, 825.24, 825.25, 825.31, 825.36,  
340/825.69, 825.72; 341/76; 455/352; D12/400  
See application file for complete search history.

(56) **References Cited**

**U.S. PATENT DOCUMENTS**

|            |   |         |           |       |         |
|------------|---|---------|-----------|-------|---------|
| D253,234 S | * | 10/1979 | Cooke     | ..... | D13/168 |
| D388,397 S | * | 12/1997 | Larizza   | ..... | D13/168 |
| D521,486 S | * | 5/2006  | Yokoyama  | ..... | D14/155 |
| D591,277 S | * | 4/2009  | Sarasjoki | ..... | D14/240 |

\* cited by examiner

*Primary Examiner*—Selina Sikder

(74) *Attorney, Agent, or Firm*—TraskBritt

(57) **CLAIM**

The ornamental design for a vehicle roof rack remote, as shown and described.

**DESCRIPTION**

FIG. 1 is a perspective view of a vehicle roof rack remote showing my new design;

FIG. 2 is a side view of the vehicle roof rack remote in FIG. 1;

FIG. 3 is another side view of the vehicle roof rack remote shown in FIG. 1;

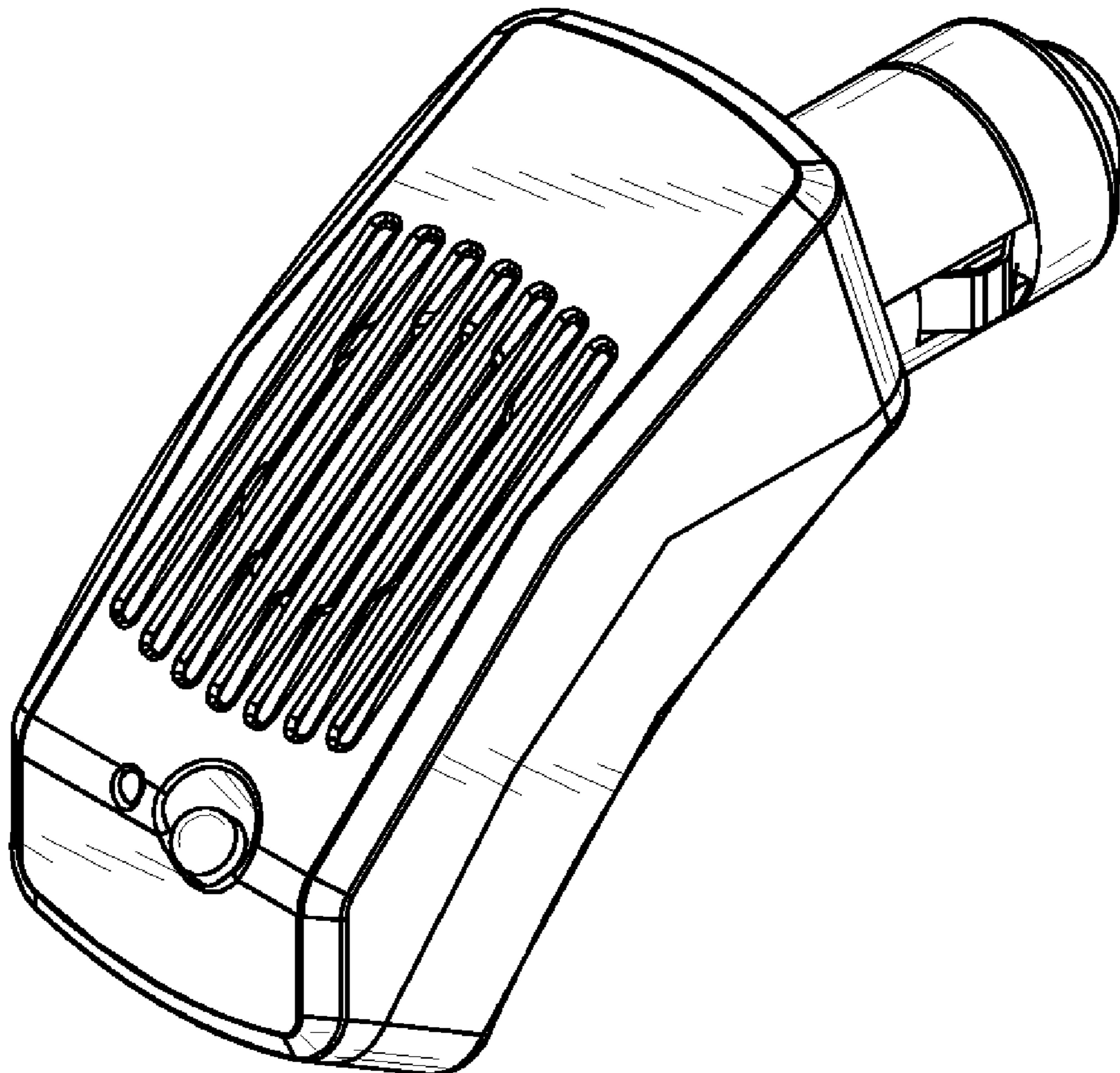
FIG. 4 is a front view of the vehicle roof rack remote shown in FIG. 1;

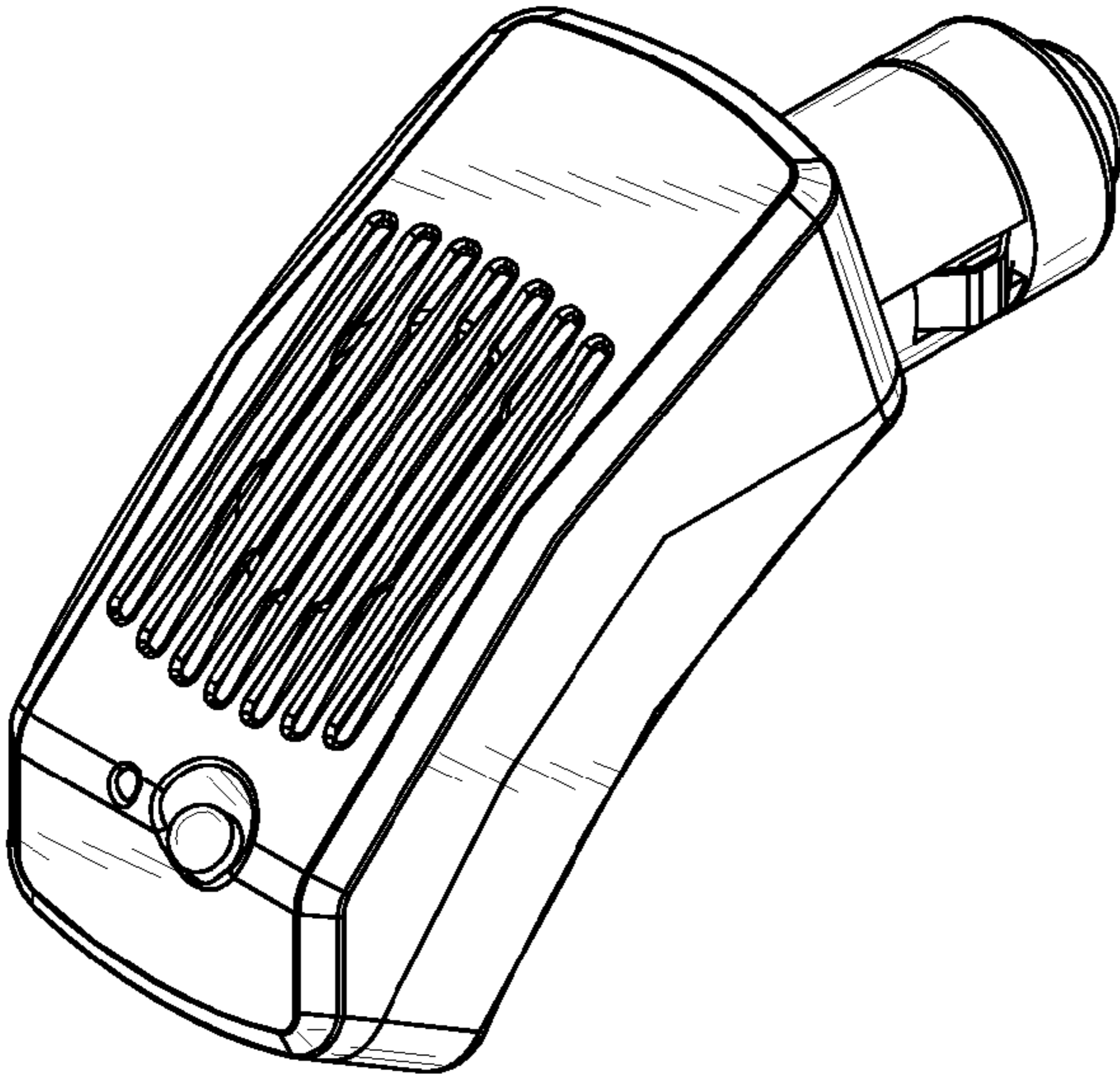
FIG. 5 is a rear view of the vehicle roof rack remote shown in FIG. 1;

FIG. 6 is the top view of the vehicle roof rack remote shown in FIG. 1; and,

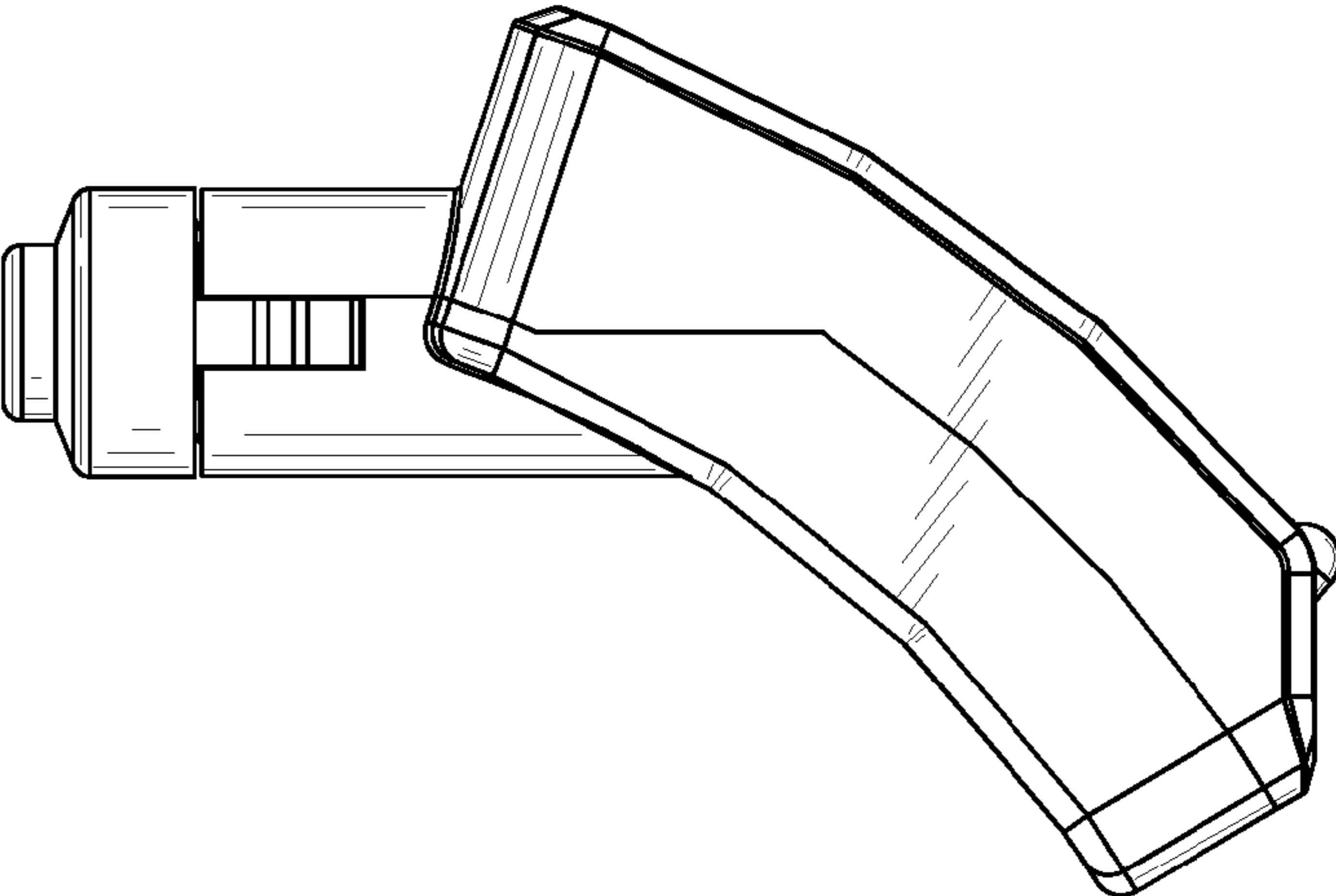
FIG. 7 is the bottom view of the vehicle roof rack remote shown in FIG. 1.

**1 Claim, 2 Drawing Sheets**

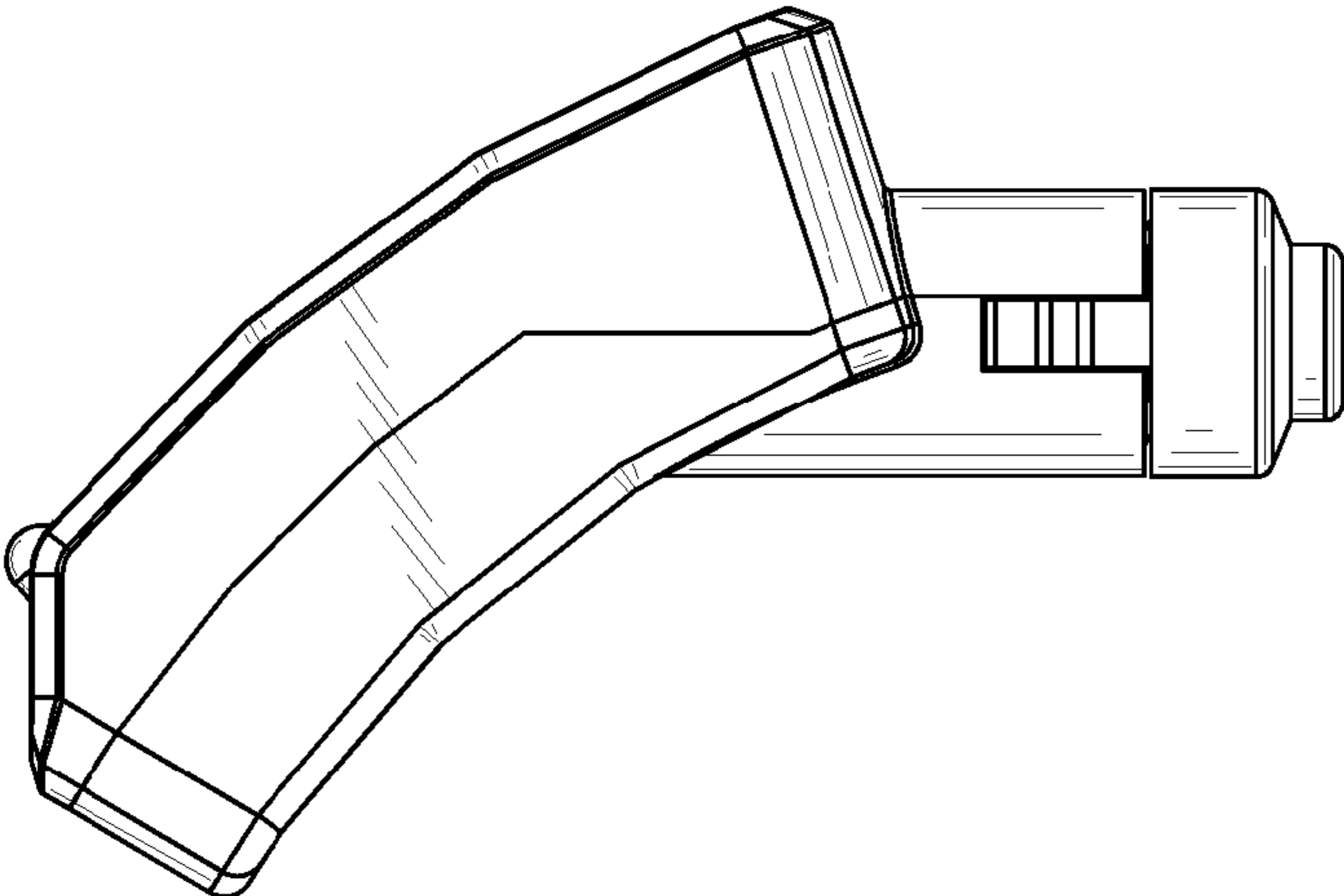




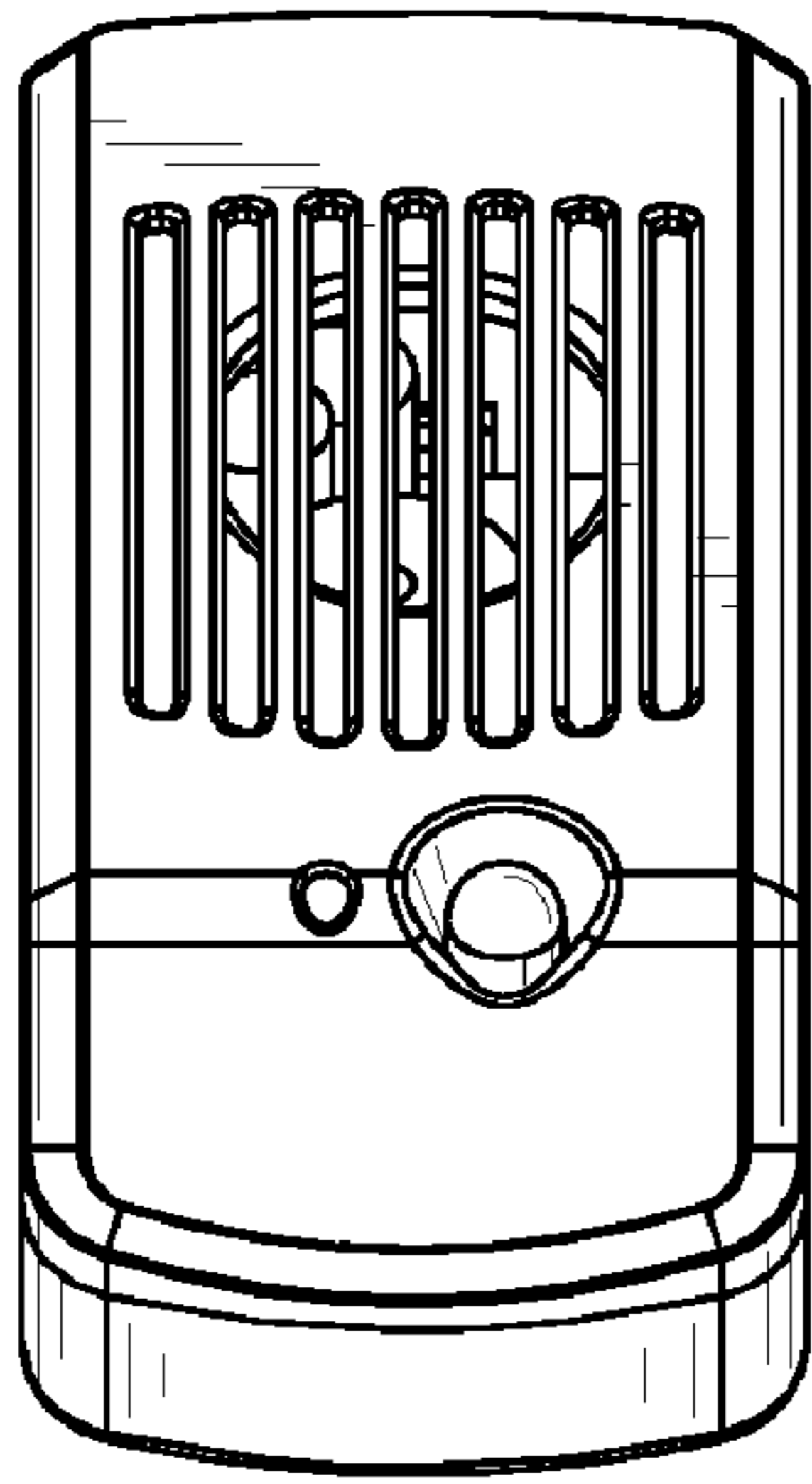
**FIG. 1**



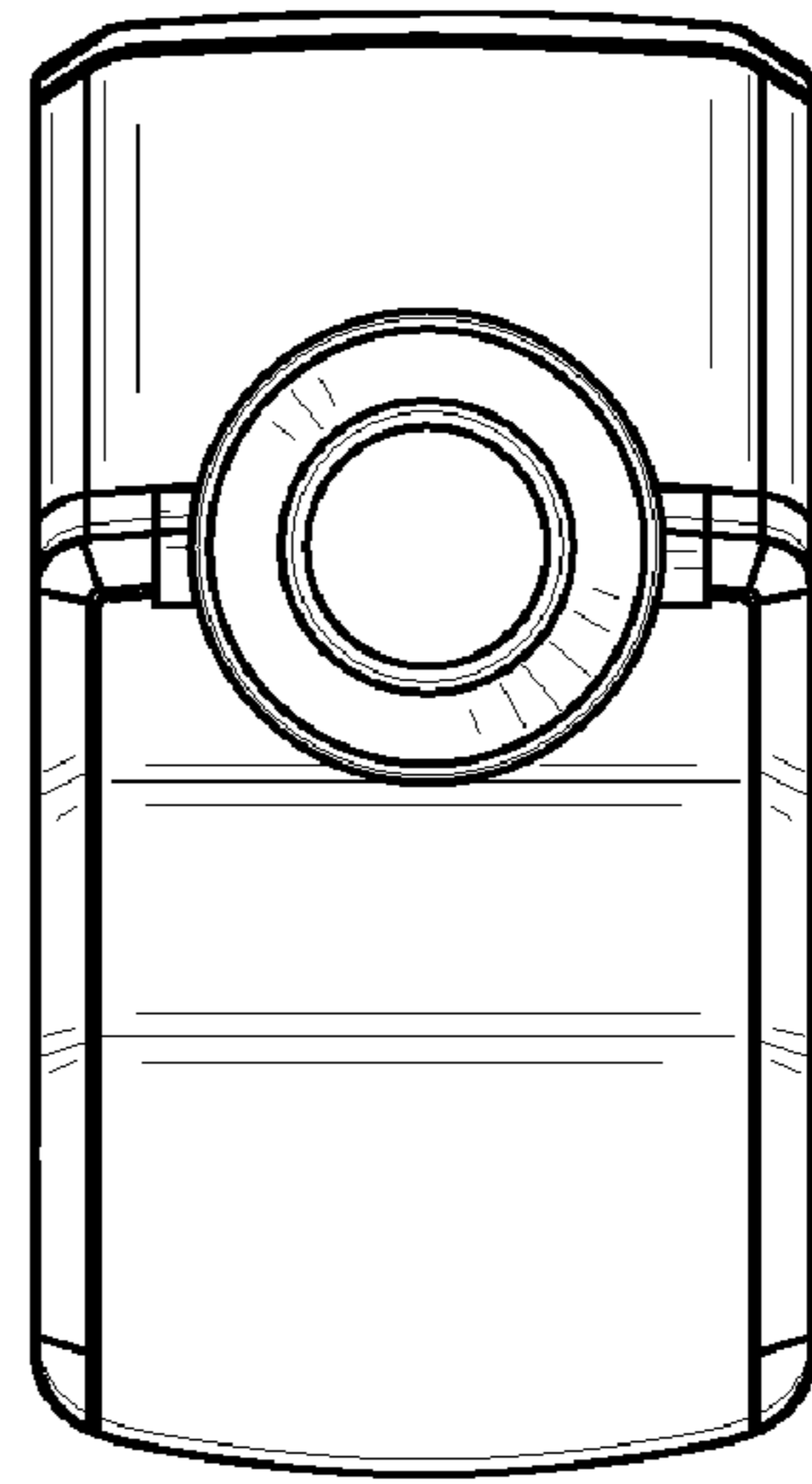
**FIG. 2**



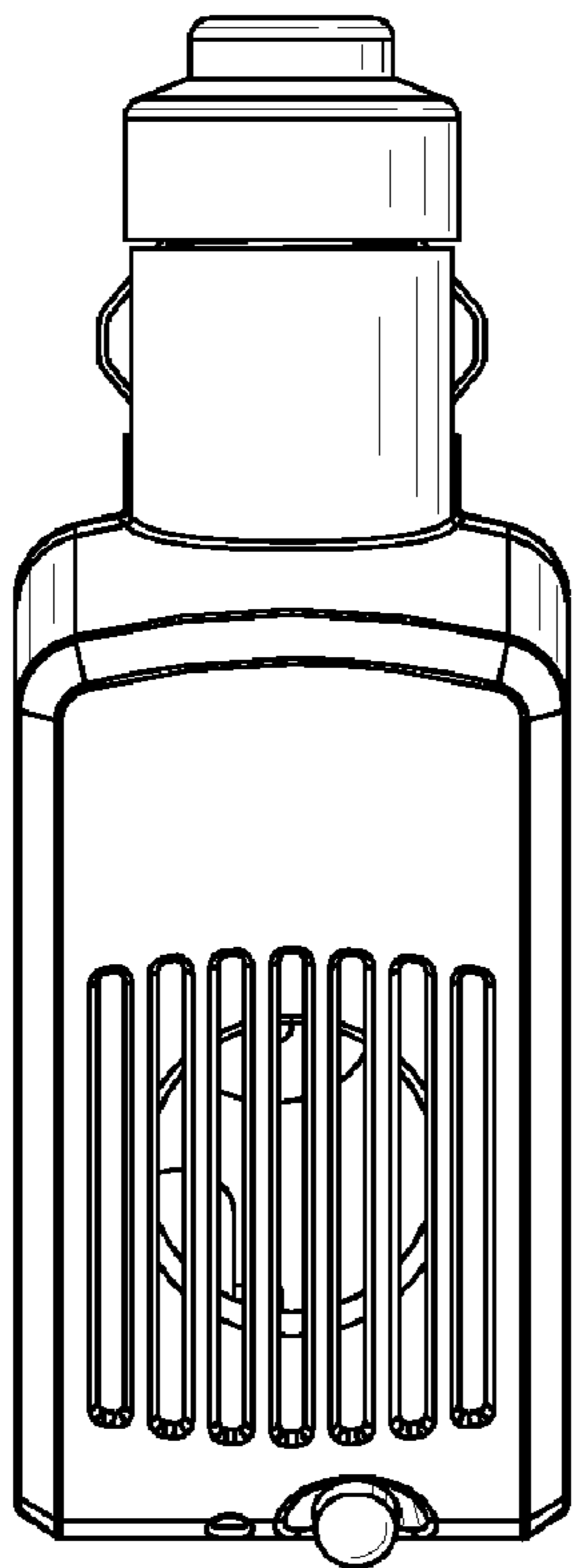
**FIG. 3**



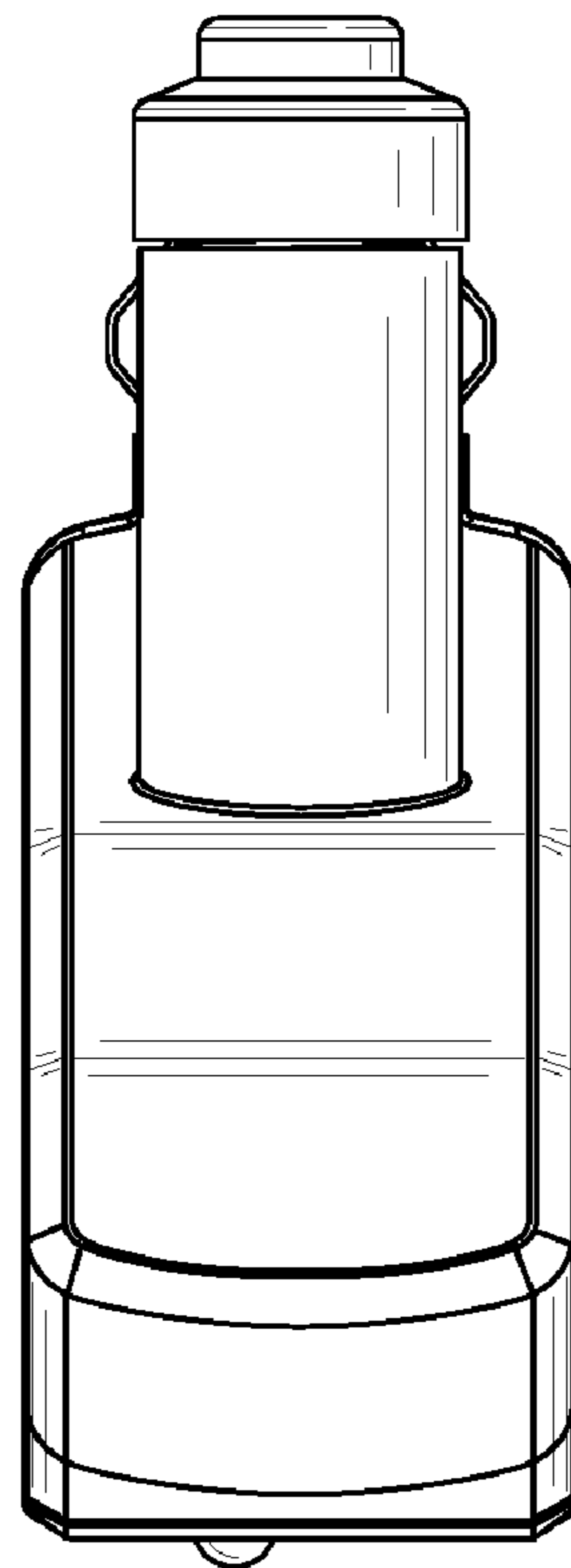
**FIG. 4**



**FIG. 5**



**FIG. 6**



**FIG. 7**