



US00D602877S

(12) **United States Design Patent**
Melzner et al.

(10) **Patent No.:** **US D602,877 S**
(45) **Date of Patent:** **** Oct. 27, 2009**

(54) **TRANSCEIVER FOR LIGHTING SYSTEM**

(75) Inventors: **Erwin Melzner**, Frasdorf (DE); **Michael Jonischkeit**, Alxing (DE); **Kerstin Schlegel**, Stephanskirchen (DE); **Dennis Jackstien**, Stephanskirchen (DE)

(73) Assignee: **Arnold & Richter Cine Technik GmbH & Co. Betriebs KG**, Munich (DE)

(**) Term: **14 Years**

(21) Appl. No.: **29/325,712**

(22) Filed: **Oct. 3, 2008**

(51) **LOC (9) Cl.** **13-03**

(52) **U.S. Cl.** **D13/162**

(58) **Field of Classification Search** D13/158,
D13/162, 163, 164, 168, 177, 184, 199; D16/219,
D16/237, 242, 245; D14/413, 218; 340/825.22,
340/825.29, 825.72, 825.69; 396/57; D10/49,
D10/46, 62, 106; 200/5 R, 5 A; 361/671,
361/680; 455/151.2, 151.3, 151.4
See application file for complete search history.

(56) **References Cited**

U.S. PATENT DOCUMENTS

D297,527 S * 9/1988 Iacovelli D12/418
4,879,437 A * 11/1989 Dard et al. 200/1 R
D356,567 S * 3/1995 Jones D13/162
D477,286 S * 7/2003 Krajci et al. D13/162
D489,337 S * 5/2004 Murray D13/162
D533,846 S * 12/2006 Burton D13/171
7,274,302 B2 * 9/2007 Stevenson et al. 340/815.45
D572,192 S * 7/2008 Zhu D13/122

FOREIGN PATENT DOCUMENTS

DE 20 2004 016 637 U1 2/2005

DE 4 07 04 520.1 10/2007
DE 10 2007 044 566 A1 3/2009
DE 10 2007 044 567 A1 3/2009
EP 0 921 568 A2 6/1999

OTHER PUBLICATIONS

Patent Application No. DE 10 2007 044 567, filed Sep. 7, 2007, 70 sheets.

Patent Application No. DE 10 2007 044 566, filed Sep. 7, 2007, 64 sheets.

* cited by examiner

Primary Examiner—Stella M Reid

Assistant Examiner—Thomas J Johannes

(74) *Attorney, Agent, or Firm*—Christie, Parker & Hale LLP

(57) **CLAIM**

The ornamental design for transceiver for lighting system, as shown and described.

DESCRIPTION

FIG. 1 is a top perspective view of the transceiver for lighting system;

FIG. 2 is a top view of the transceiver for lighting system;

FIG. 3 is a left side view of the transceiver for lighting system;

FIG. 4 is a right side view of the transceiver for lighting system;

FIG. 5 is a bottom view of the transceiver for lighting system;

FIG. 6 is a back view of the transceiver for lighting system; and,

FIG. 7 is a front view of the transceiver for lighting system.

Features in broken lines are not part of the claimed design.

1 Claim, 7 Drawing Sheets

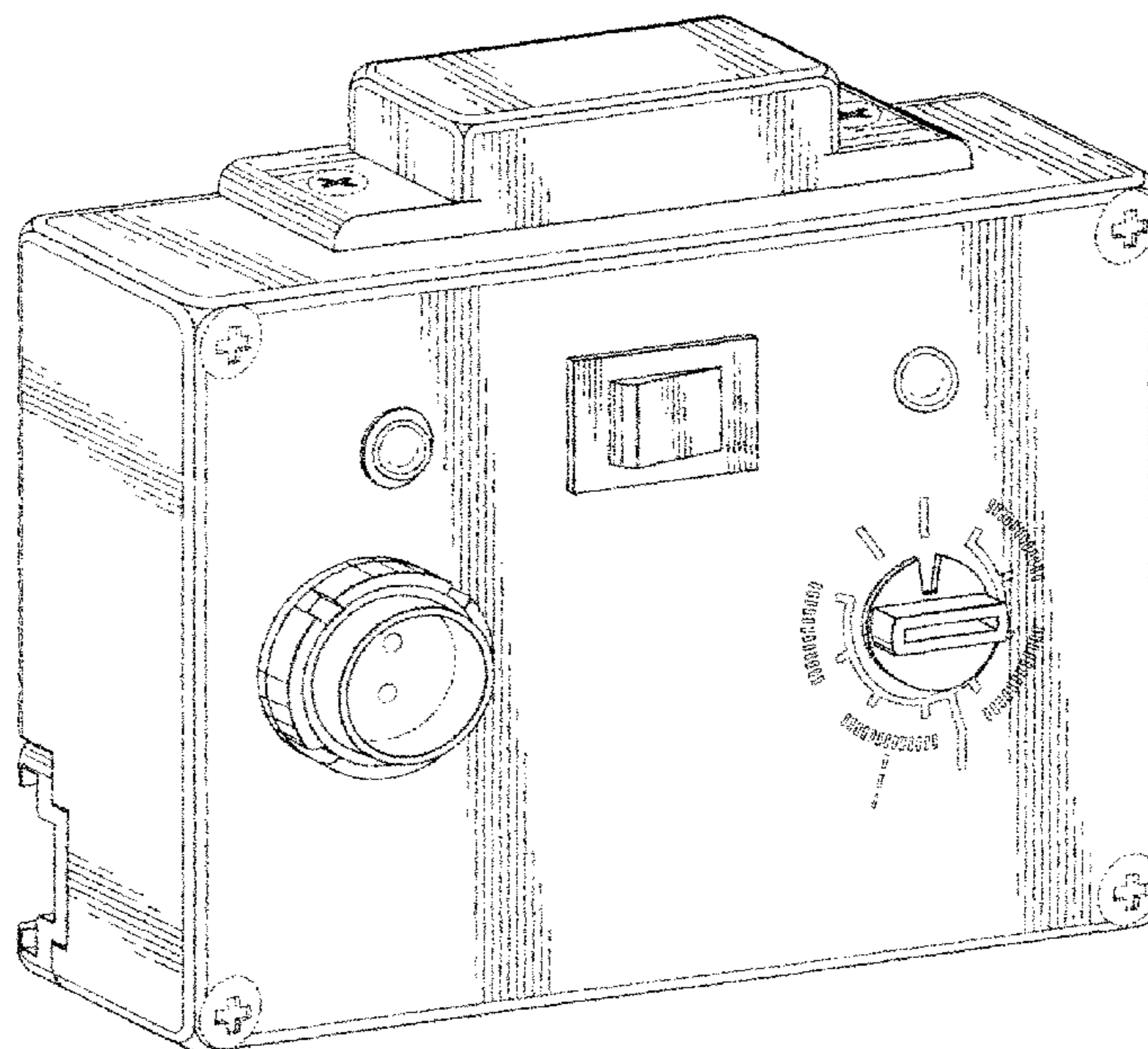
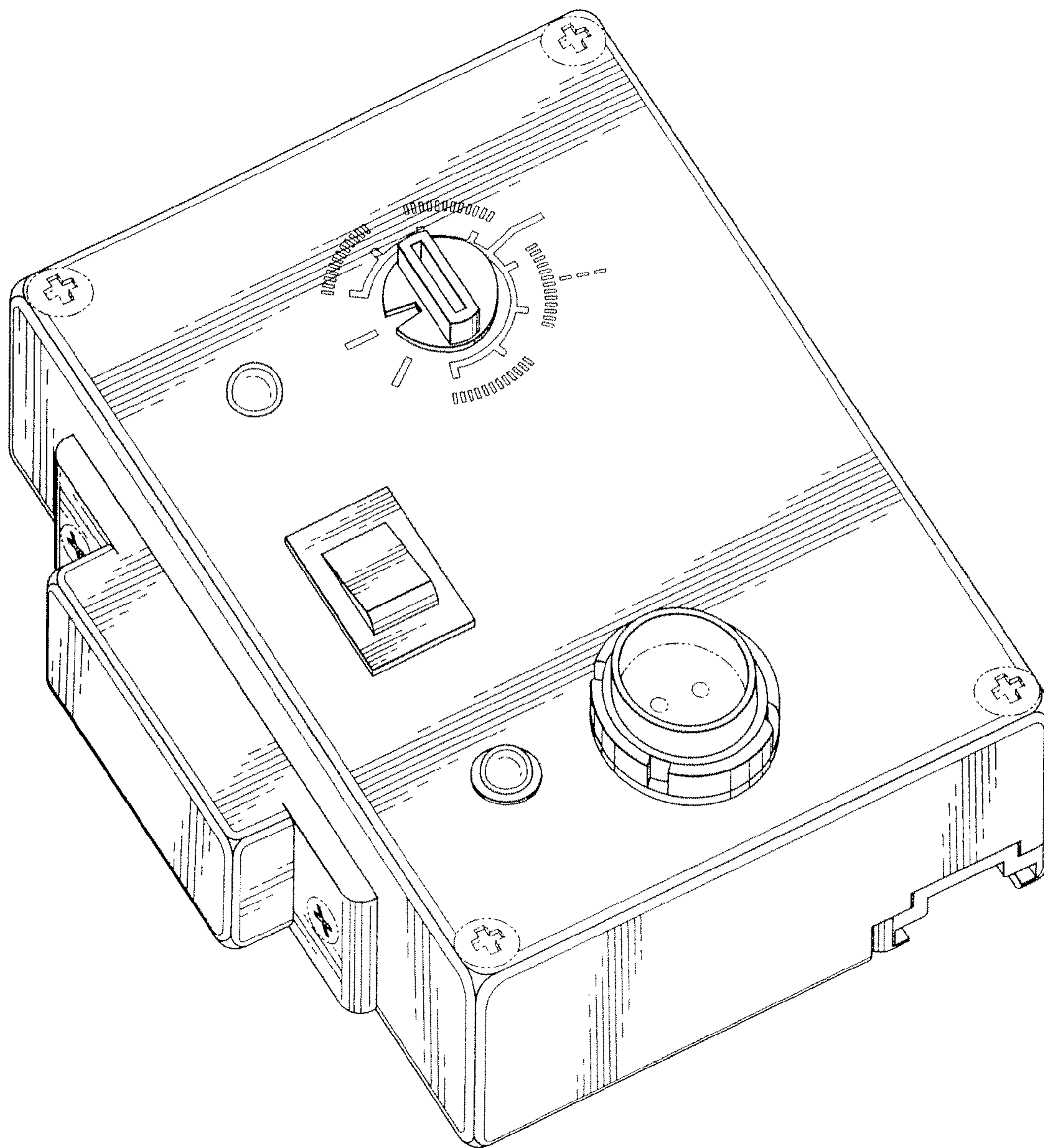


FIG. 1



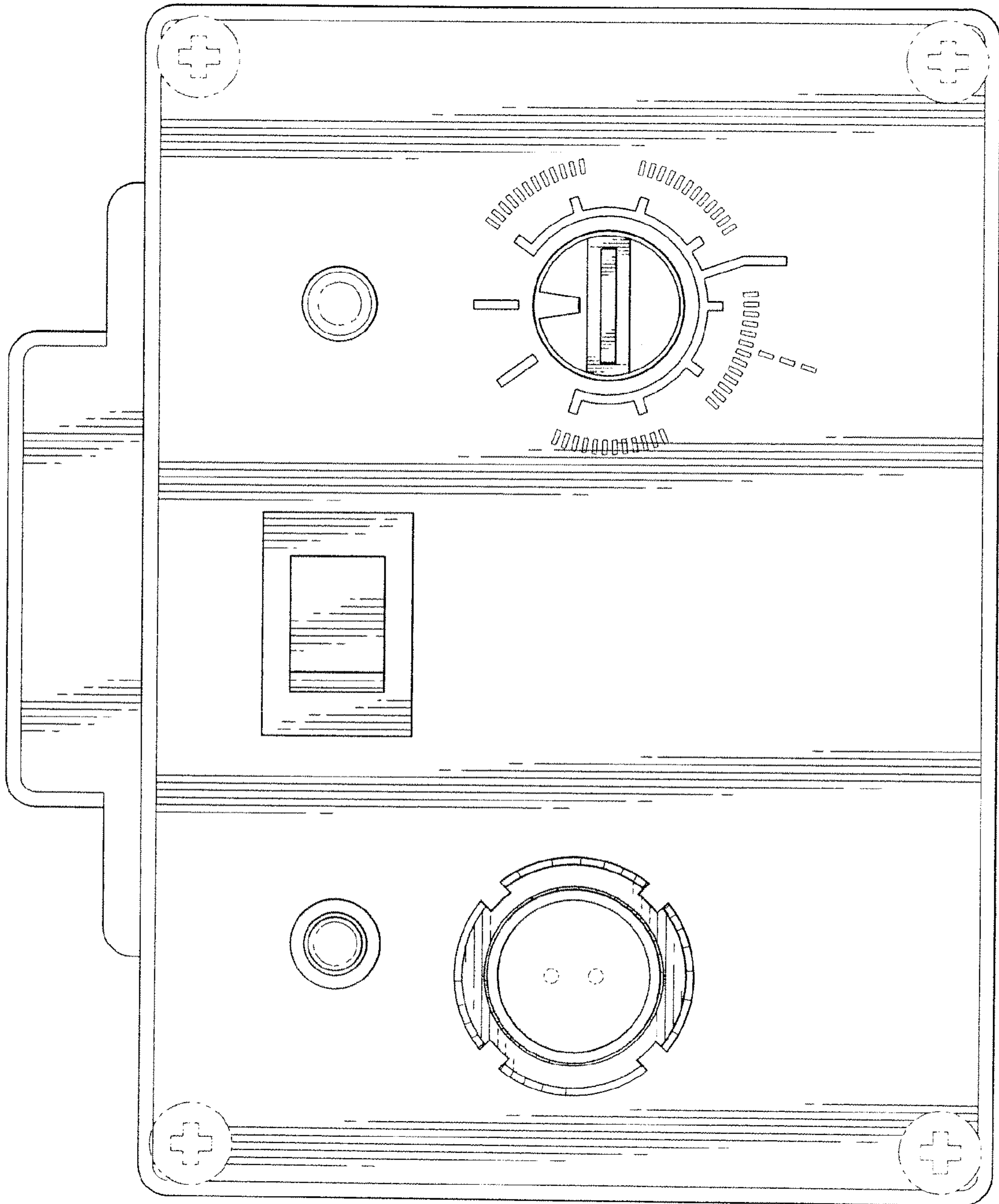
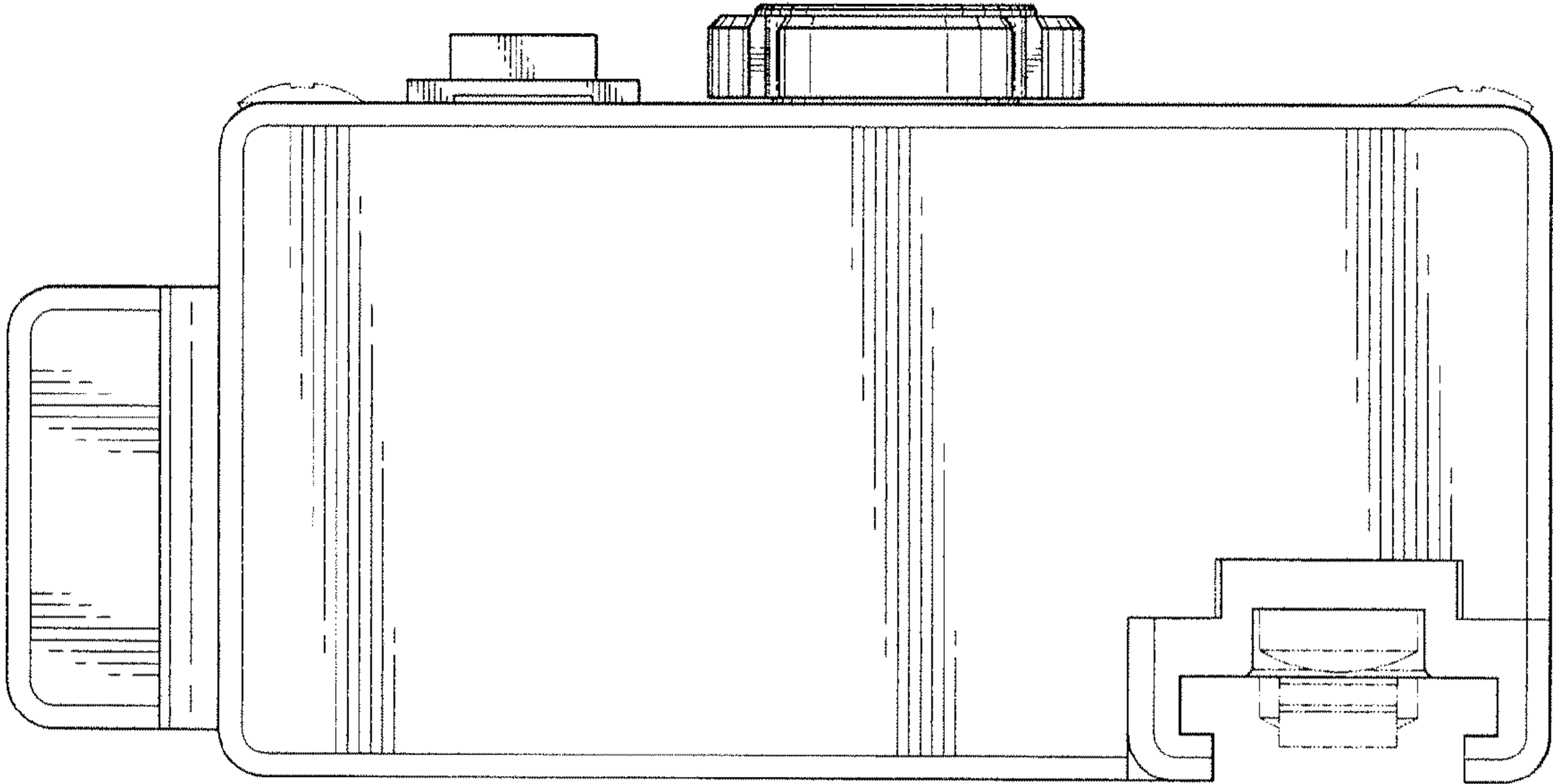


FIG. 2

FIG. 3



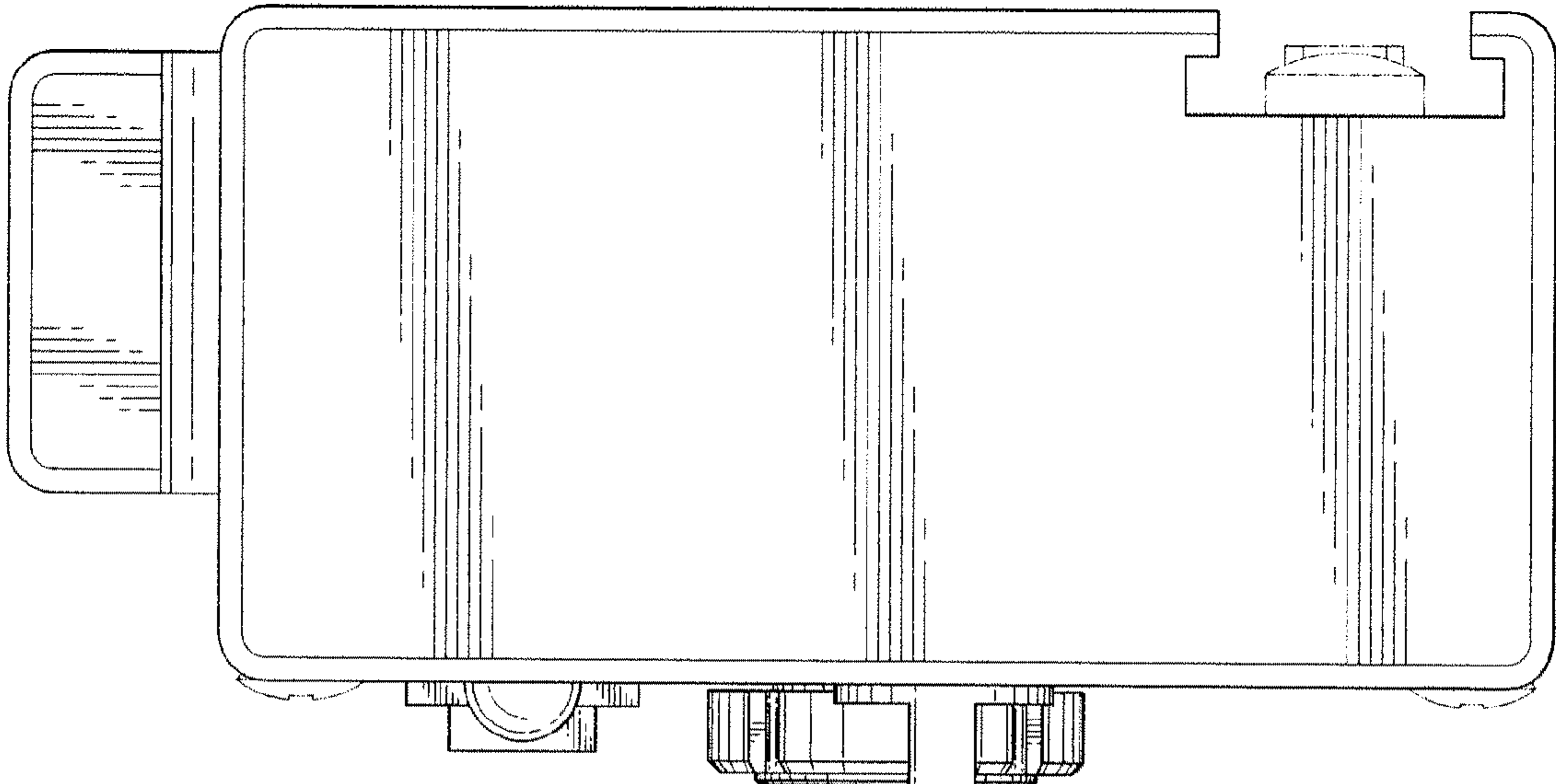


FIG. 4

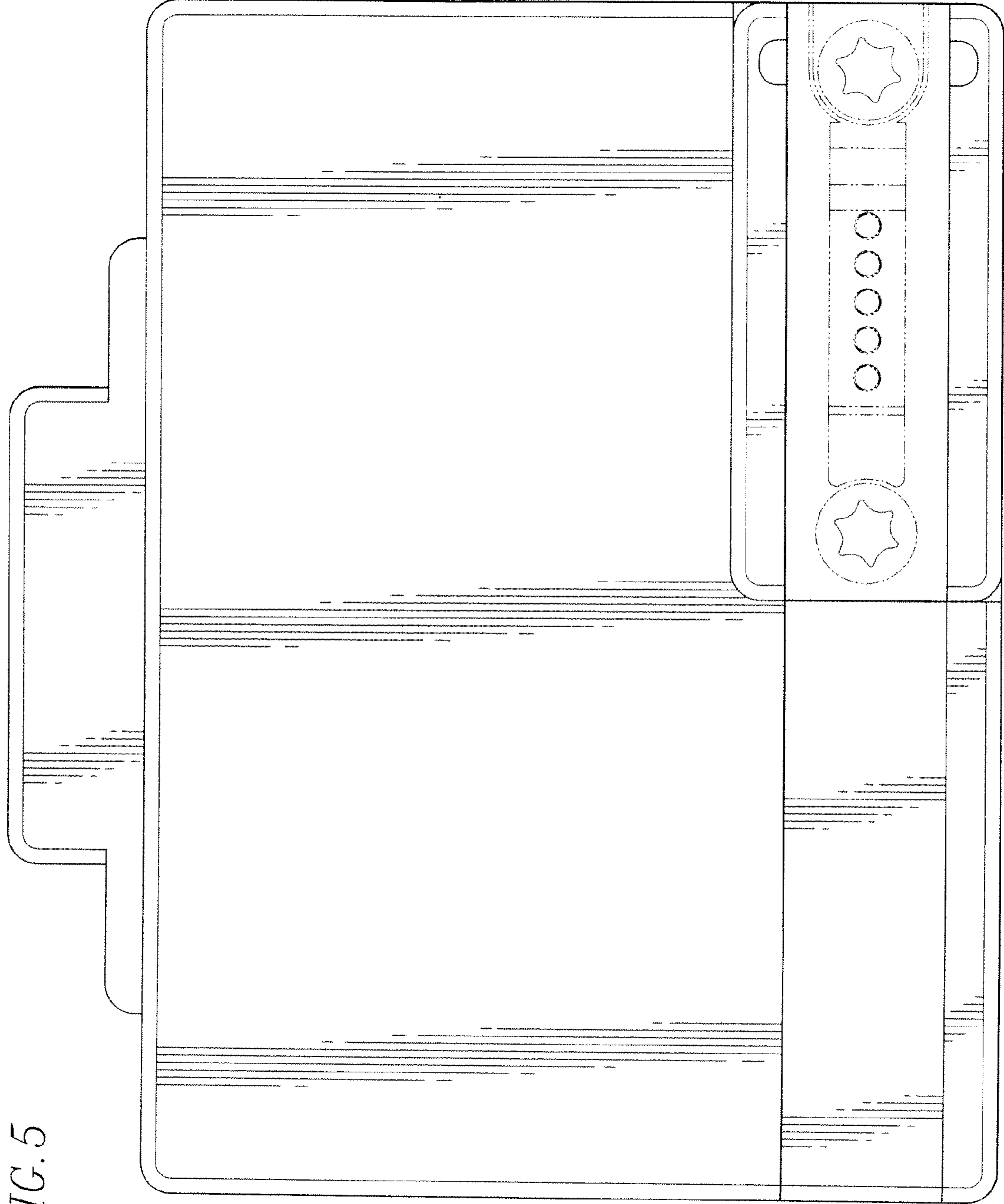


FIG. 5

FIG. 6

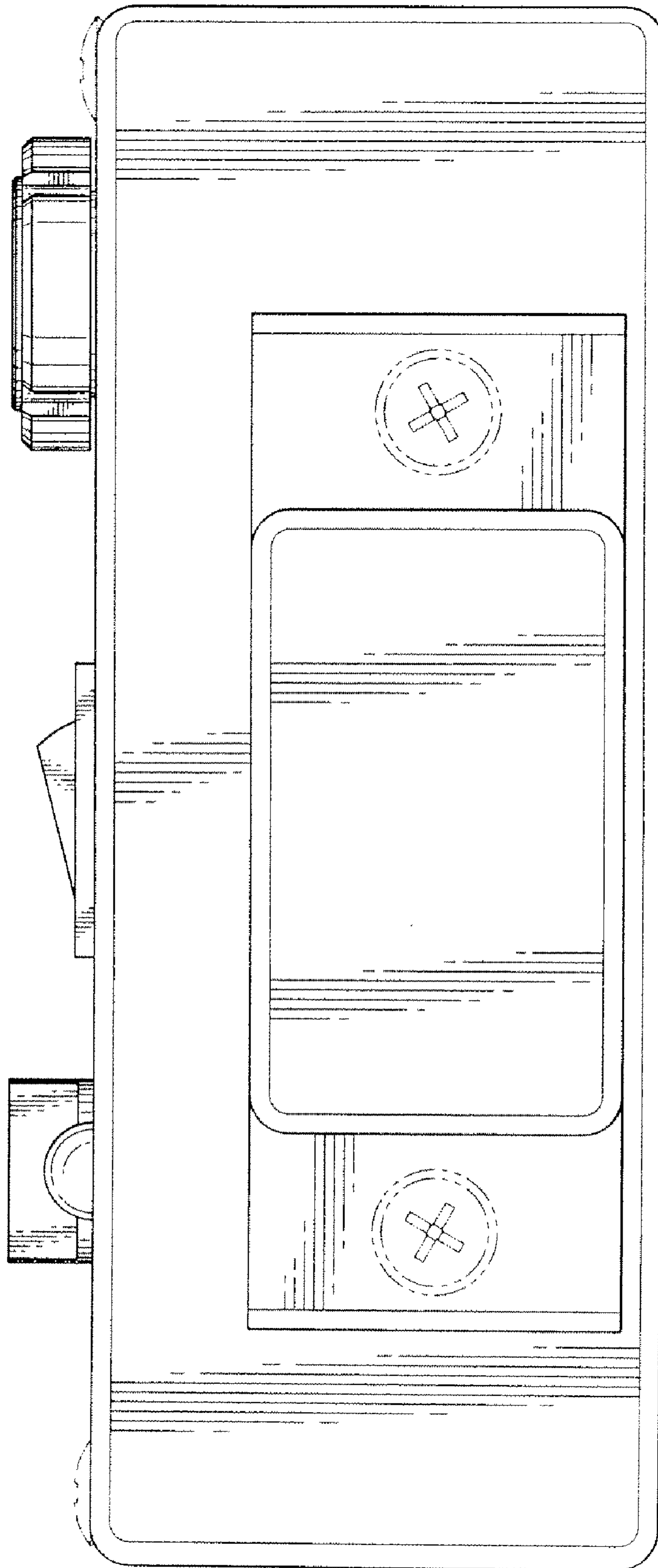


FIG. 7

