



US00D602875S

(12) **United States Design Patent**
Huang

(10) **Patent No.:** **US D602,875 S**

(45) **Date of Patent:** **** Oct. 27, 2009**

(54) **FPC CONNECTOR**

(75) Inventor: **Sheng-Yuan Huang**, Tu-Cheng (TW)

(73) Assignee: **Cheng Uei Precision Industry Co., Ltd.**, Taipei Hsien (TW)

(**) Term: **14 Years**

(21) Appl. No.: **29/328,635**

(22) Filed: **Nov. 26, 2008**

(51) **LOC (9) Cl.** **13-03**

(52) **U.S. Cl.** **D13/147**

(58) **Field of Classification Search** D13/133,
D13/147, 154, 184; D14/432, 433, 435,
D14/436, 438; 439/64, 79, 159-160, 330-331,
439/341-342, 607-610, 629-630, 636, 660,
439/773, 946

See application file for complete search history.

(56) **References Cited**

U.S. PATENT DOCUMENTS

D499,731 S	*	12/2004	Fan	D14/433
D520,453 S	*	5/2006	Yoneyama et al.	D13/147
D520,957 S	*	5/2006	Chang et al.	D13/147
D583,767 S	*	12/2008	Chiang	D13/147

* cited by examiner

Primary Examiner—Daniel D Bui

(74) *Attorney, Agent, or Firm*—Muncy, Geissler, Olds & Lowe, PLLC

(57) **CLAIM**

The ornamental design for a FPC connector, as shown and described.

DESCRIPTION

FIG. 1 is a perspective view of a FPC connector showing my new design;

FIG. 2 is a front elevational view thereof;

FIG. 3 is a rear elevational view thereof;

FIG. 4 is a left side elevational view thereof;

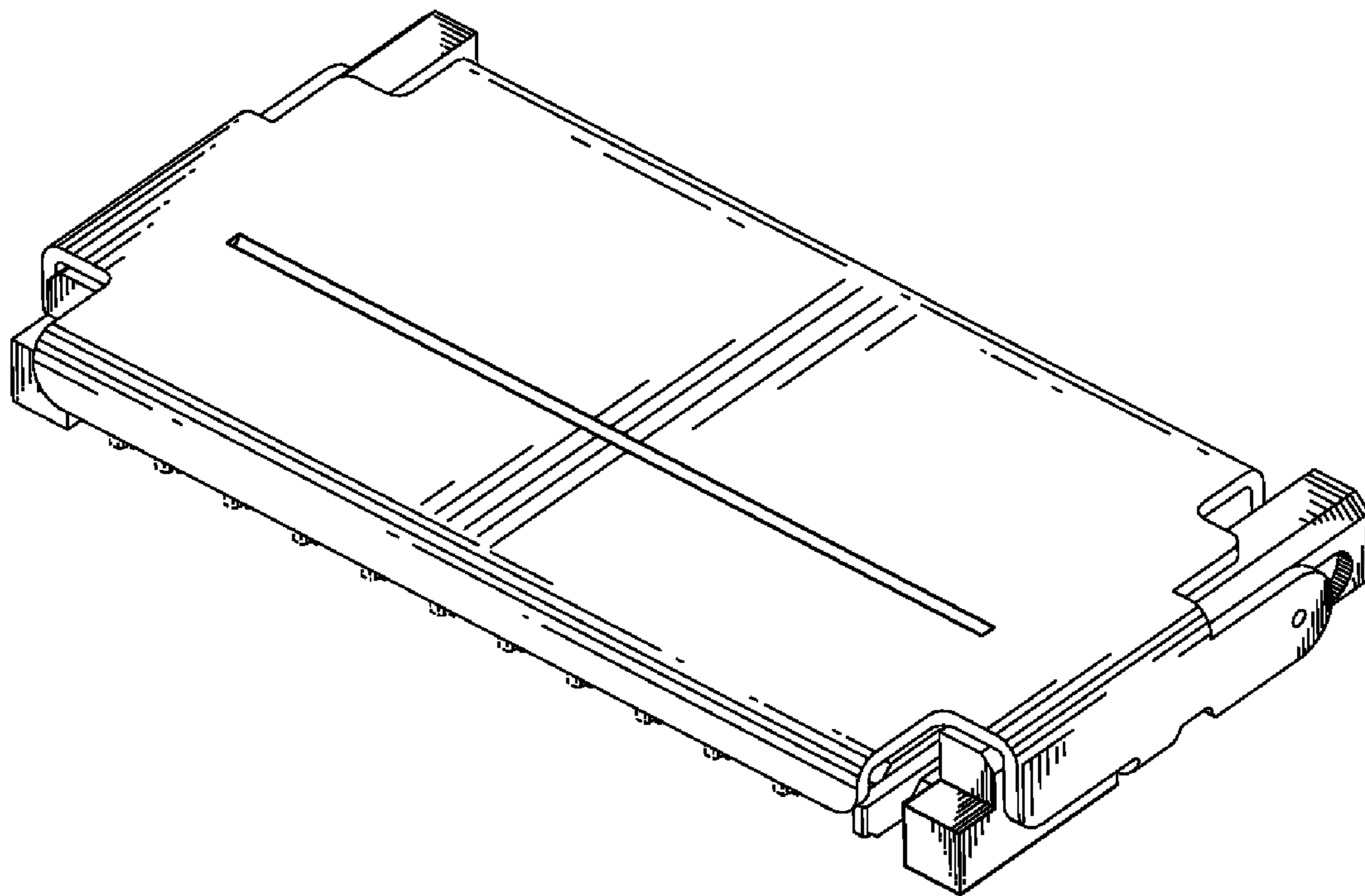
FIG. 5 is a right side elevational view thereof;

FIG. 6 is a top plan view thereof; and,

FIG. 7 is a bottom plan view thereof.

The broken line portion of the figure drawings is included to show unclaimed subject matter only and forms no part of the claimed design.

1 Claim, 7 Drawing Sheets



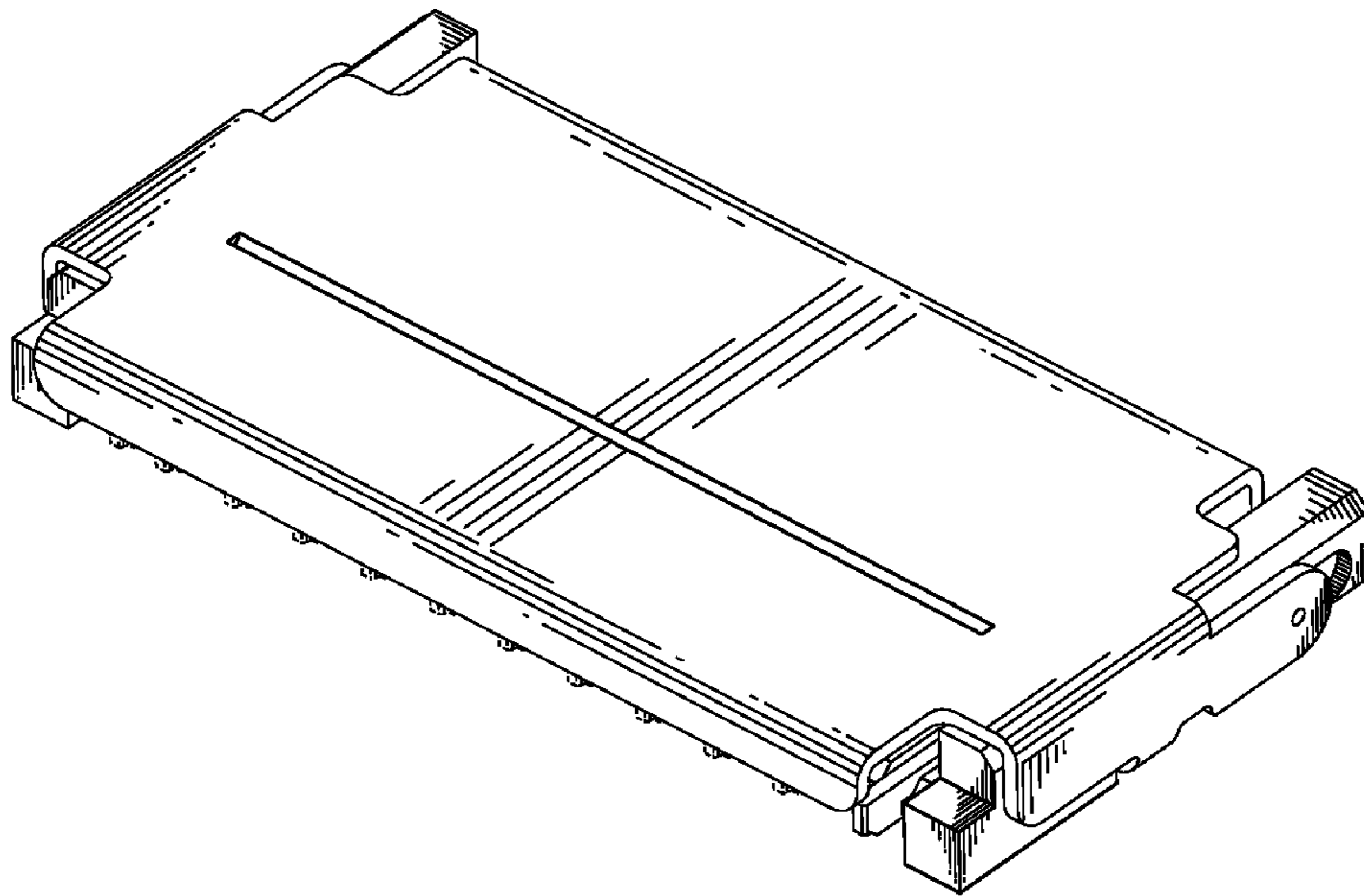


FIG. 1

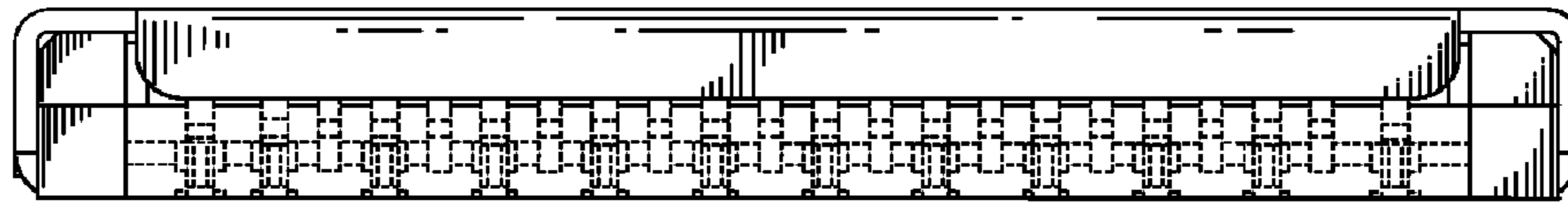


FIG. 2

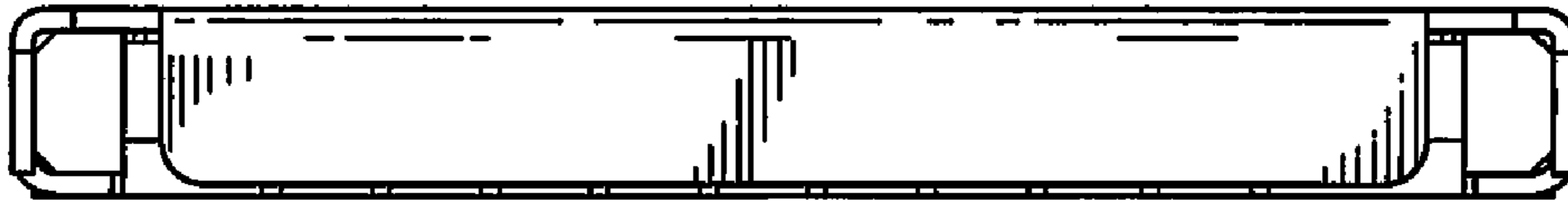


FIG. 3

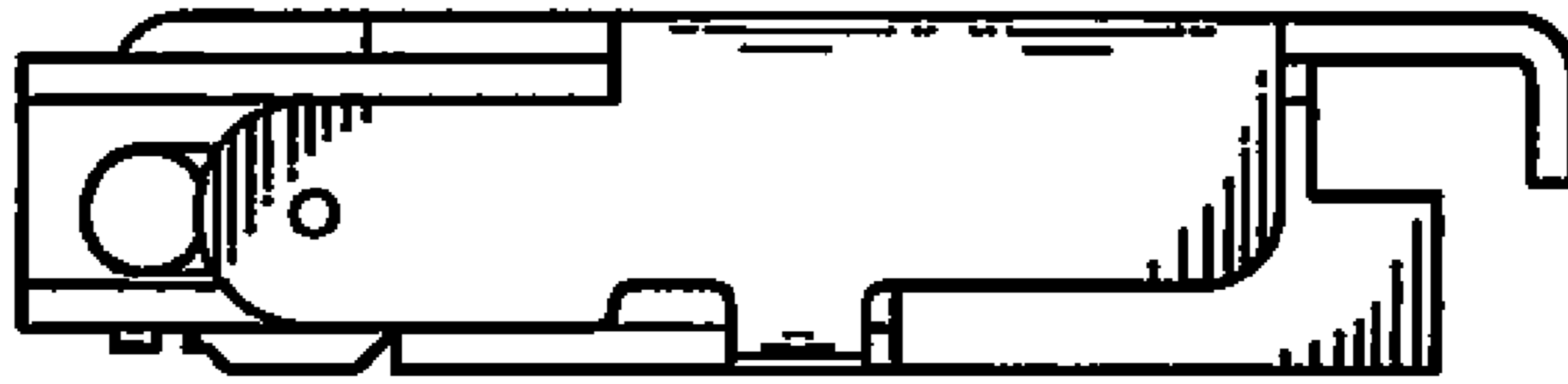


FIG. 4

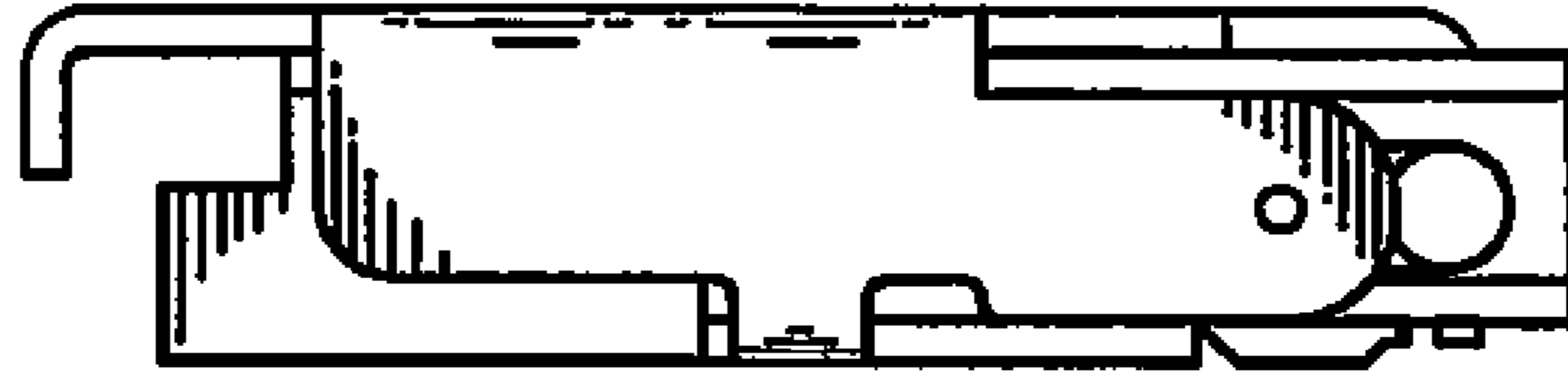


FIG. 5

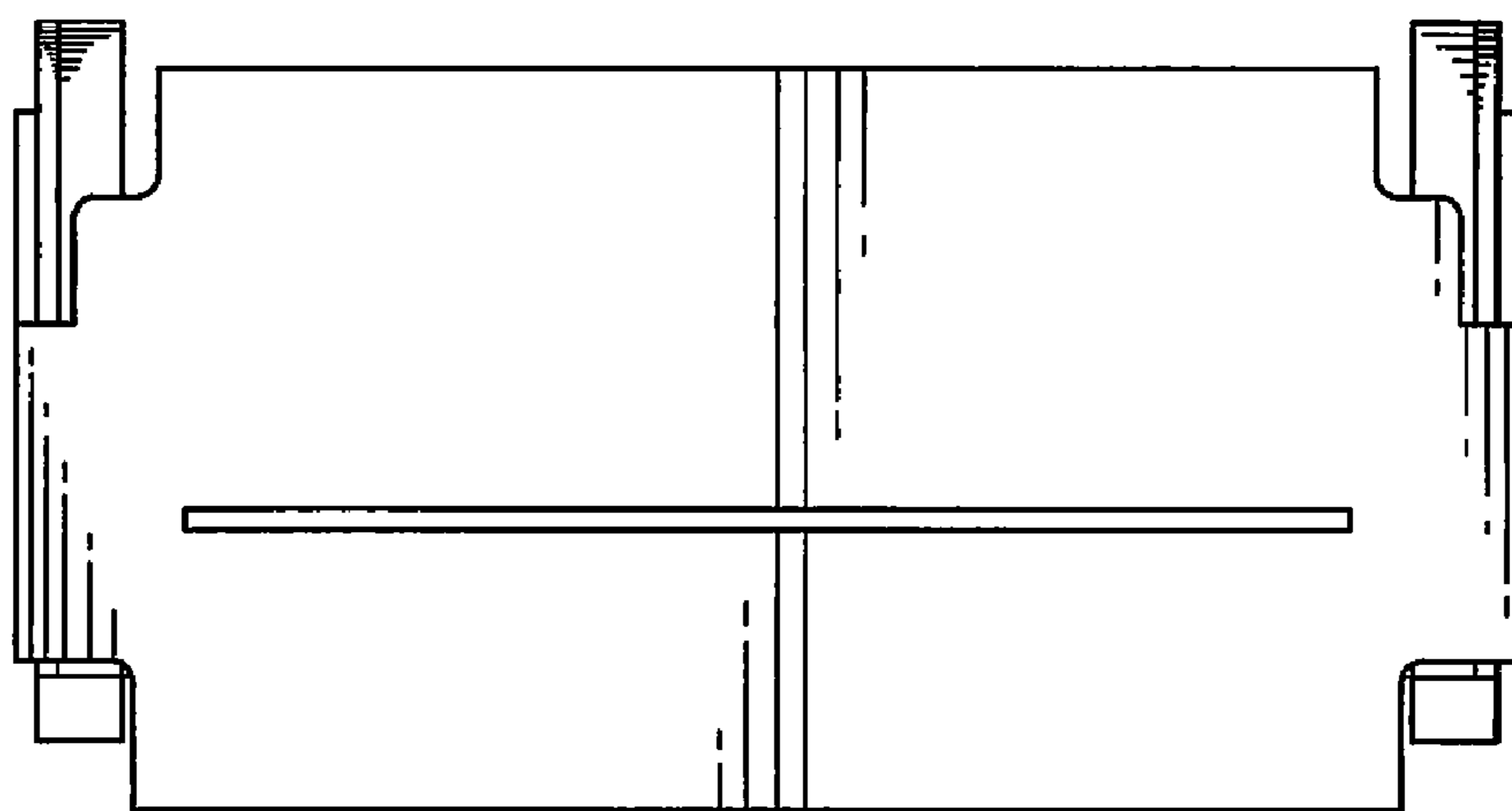


FIG. 6

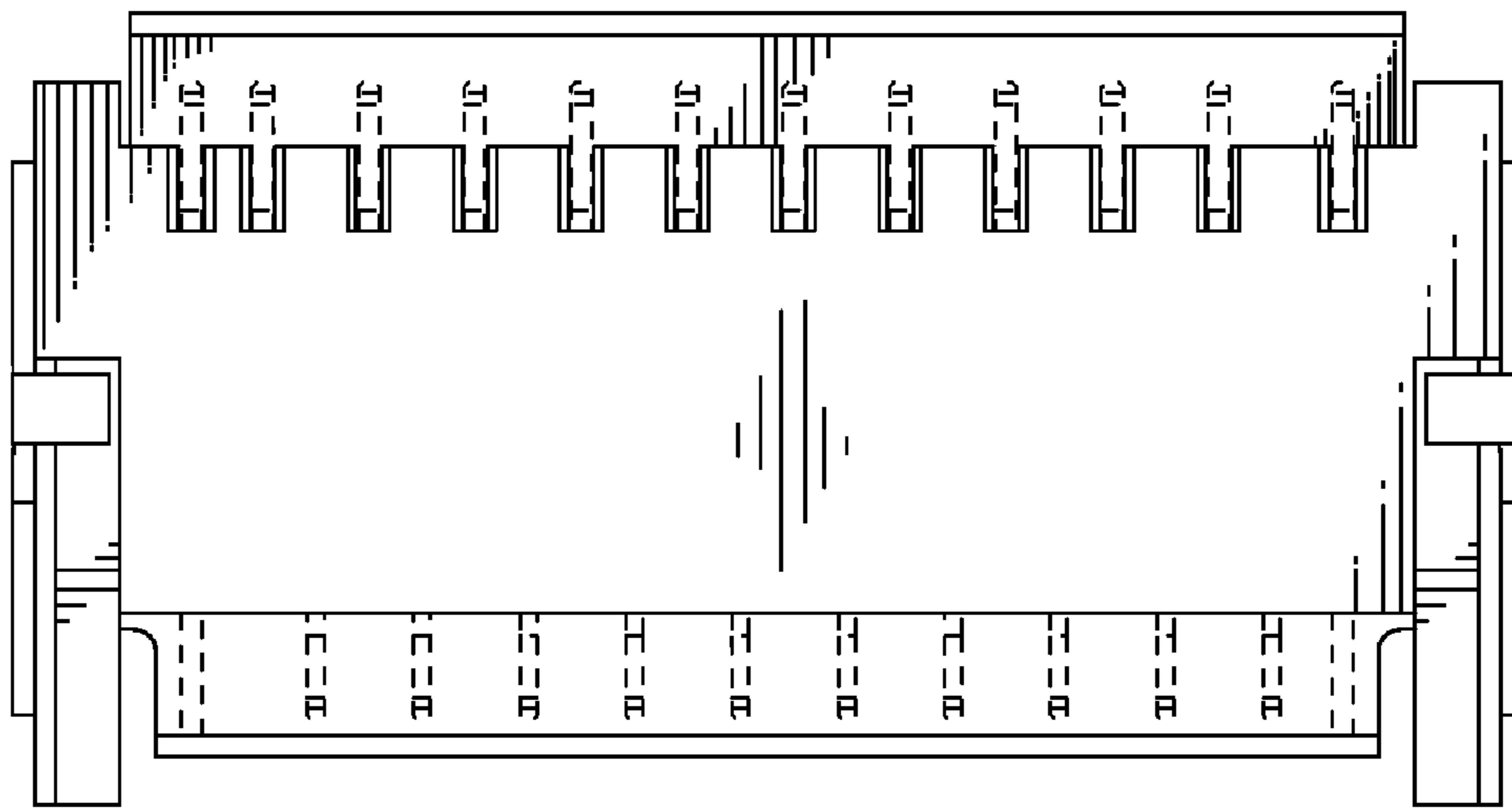


FIG. 7