



US00D602874S

(12) **United States Design Patent**  
**Tagawa et al.**

(10) **Patent No.:** **US D602,874 S**  
(45) **Date of Patent:** **\*\* Oct. 27, 2009**

(54) **ELECTRICAL CONNECTOR**

(75) Inventors: **Tetsuya Tagawa**, Tokyo (JP); **Hiroharu Ikari**, Tokyo (JP)

(73) Assignee: **I-PEX Co., Ltd.** (JP)

(\*\*) Term: **14 Years**

(21) Appl. No.: **29/326,728**

(22) Filed: **Oct. 23, 2008**

(51) **LOC (9) Cl.** ..... **13-03**

(52) **U.S. Cl.** ..... **D13/147**

(58) **Field of Classification Search** ..... D13/146-147,  
D13/154, 184; 439/260, 329, 357, 422, 492-499,  
439/660

See application file for complete search history.

(56) **References Cited**

**U.S. PATENT DOCUMENTS**

D456,779 S \* 5/2002 Igarashi ..... D13/147  
6,705,893 B1 \* 3/2004 Ko ..... 439/607  
D524,750 S \* 7/2006 Hisamatsu ..... D13/147

**FOREIGN PATENT DOCUMENTS**

JP D1354370 3/2009

\* cited by examiner

*Primary Examiner*—Daniel D Bui  
(74) *Attorney, Agent, or Firm*—Studebaker & Brackett PC;  
Donald R. Studebaker

(57) **CLAIM**

The ornamental design for an electrical connector, as shown and described.

**DESCRIPTION**

FIG. 1 is a front, top and left side perspective view of an electrical connector in use condition, showing our new design;

FIG. 2 is a front, bottom and left side perspective view thereof, in use condition;

FIG. 3 is a top plan view thereof;

FIG. 4 is a front elevation view thereof;

FIG. 5 is a bottom plan view thereof;

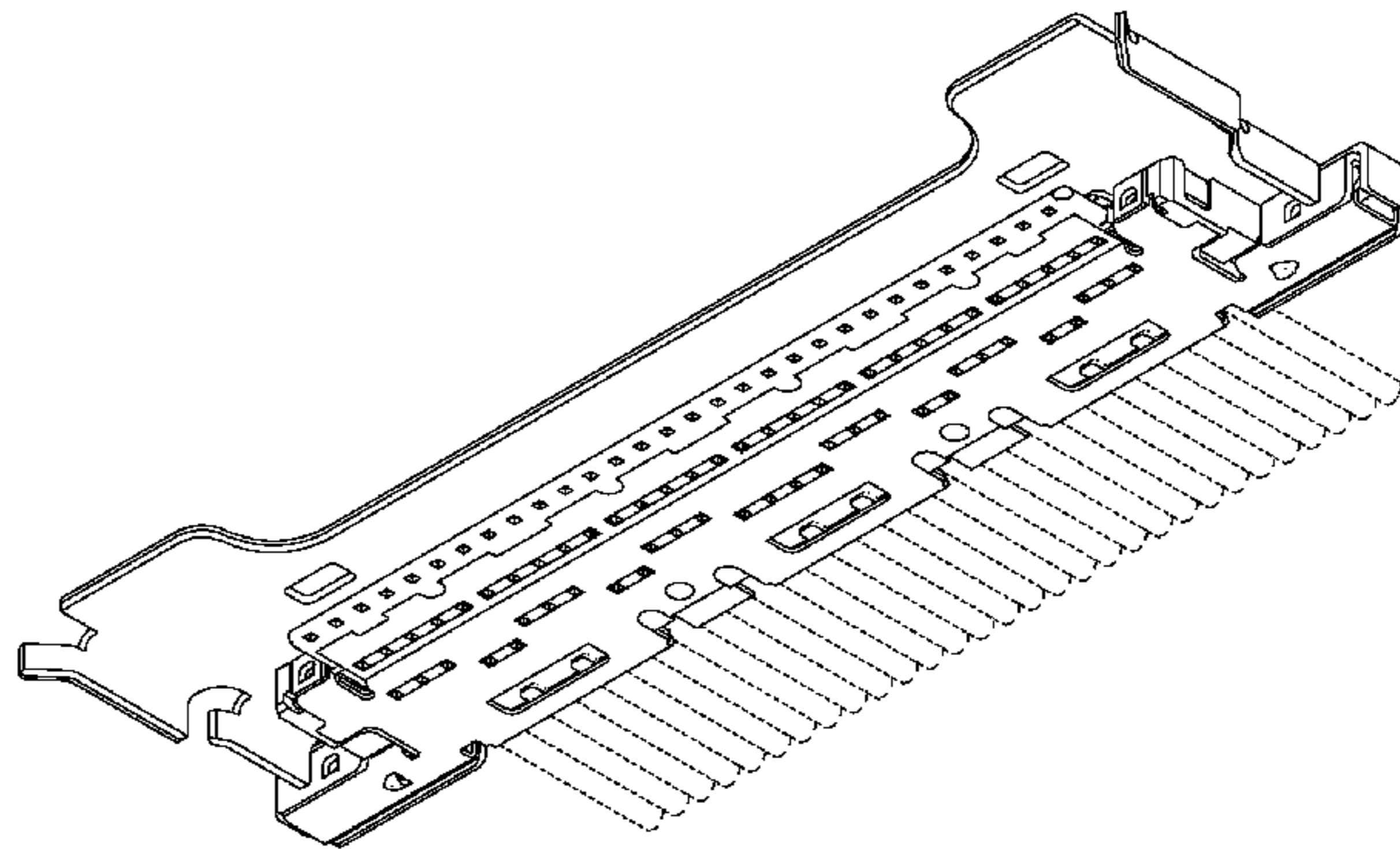
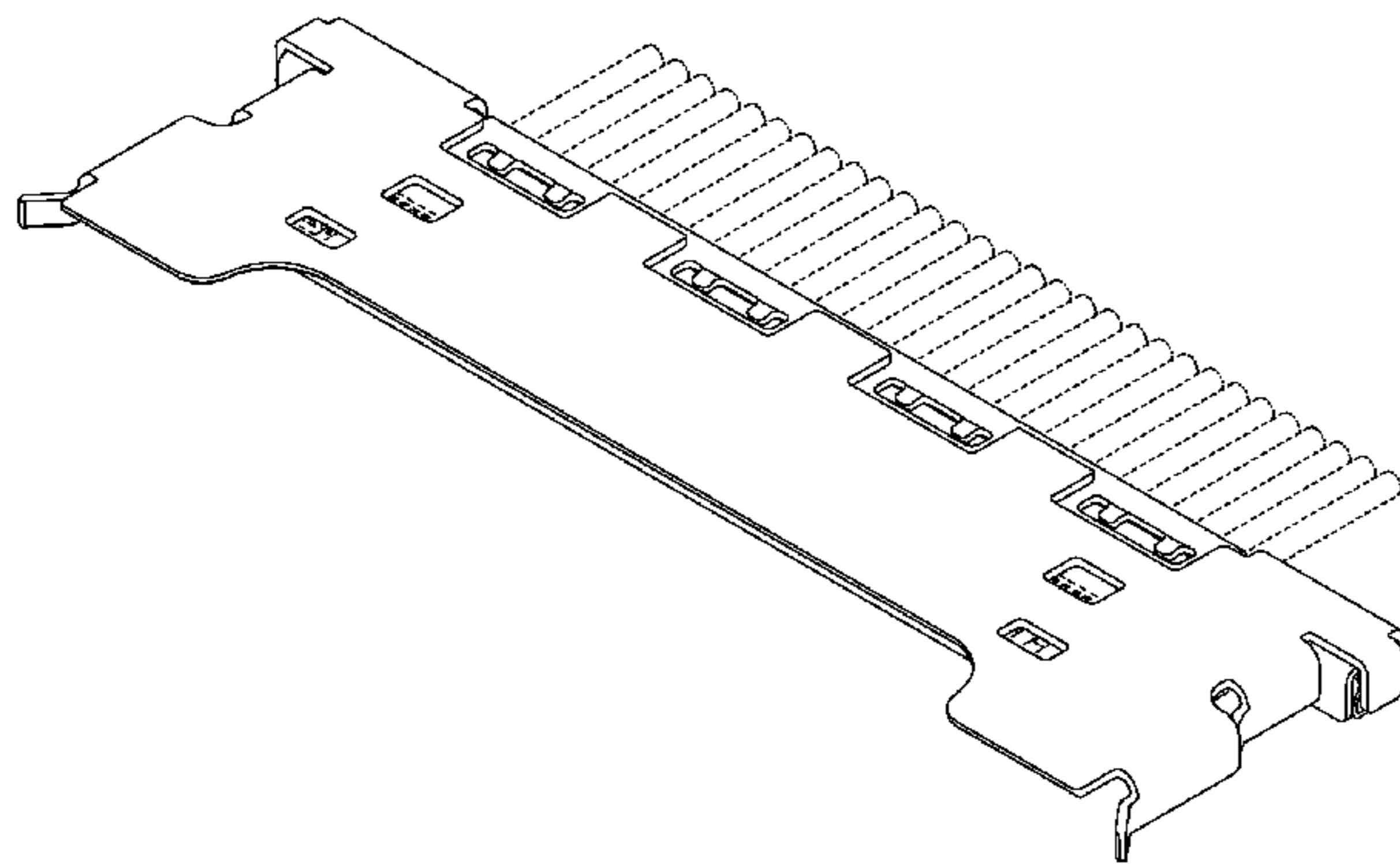
FIG. 6 is a rear elevation view thereof;

FIG. 7 is a right side elevation view thereof, the left side elevation view is a mirror image thereto; and,

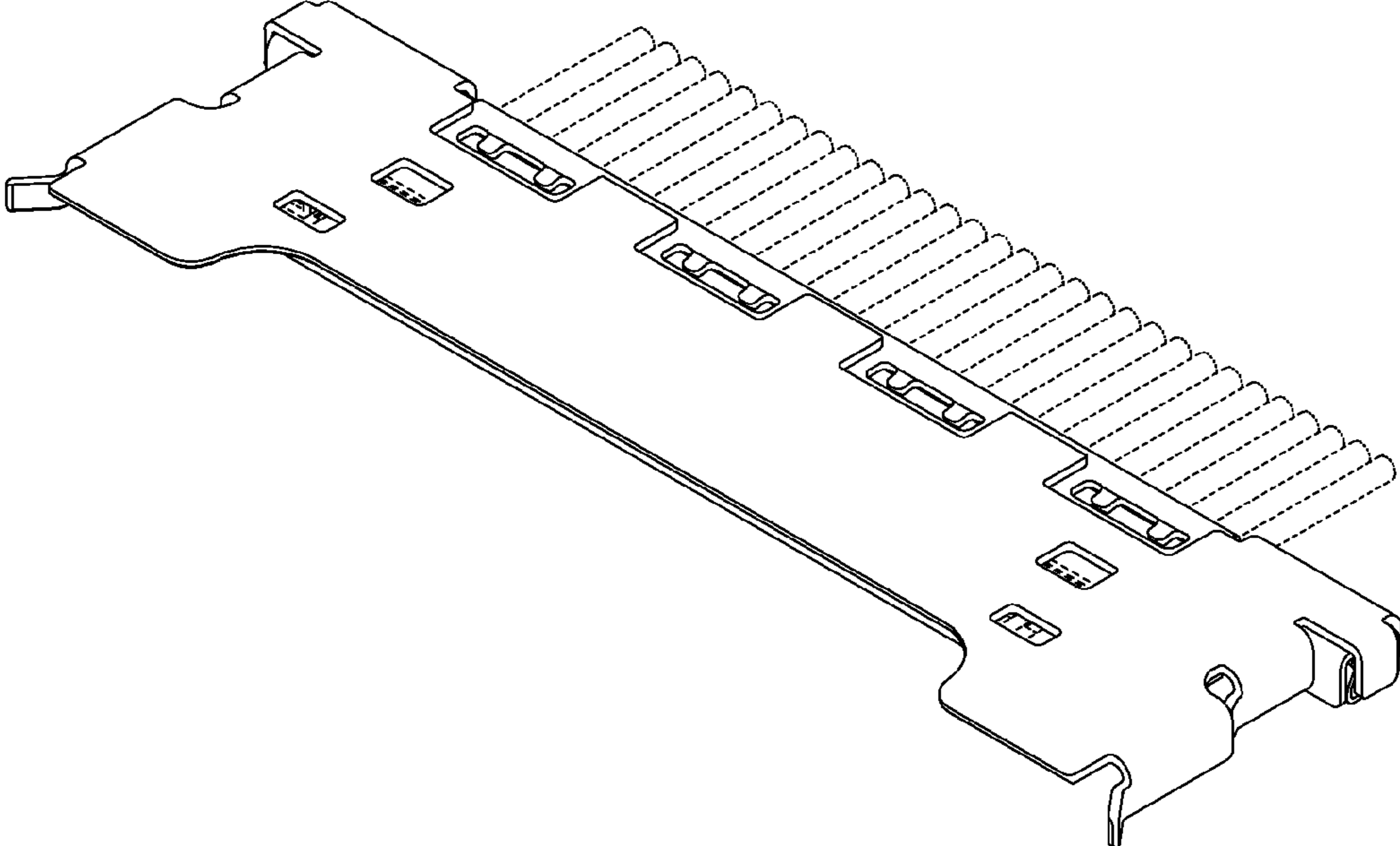
FIG. 8 is another front, top and left side perspective view thereof.

The broken line portion in the figure drawing views is included to show unclaimed environmental structure only and forms no part of the claimed design.

**1 Claim, 3 Drawing Sheets**



F I G . 1



F I G . 2

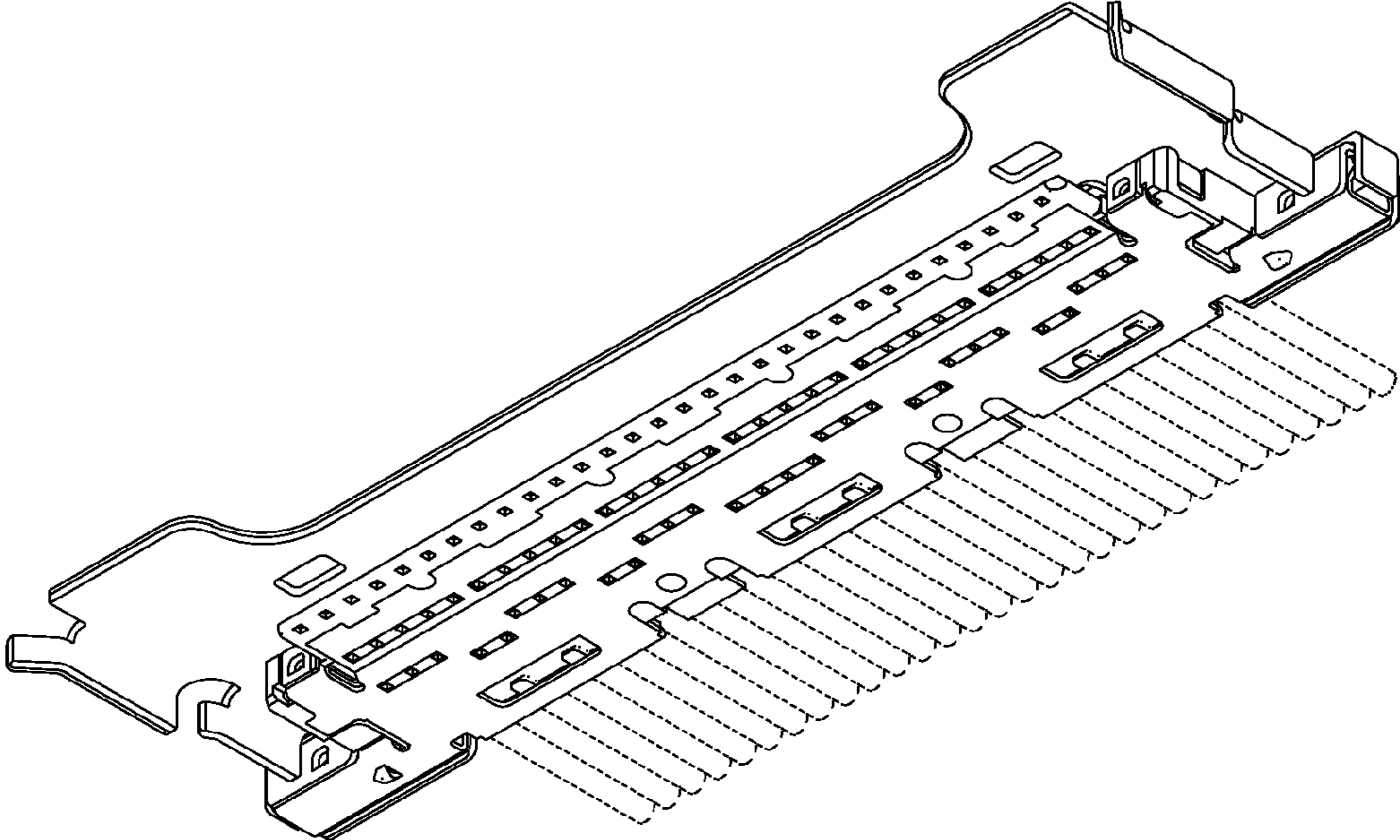


FIG. 3

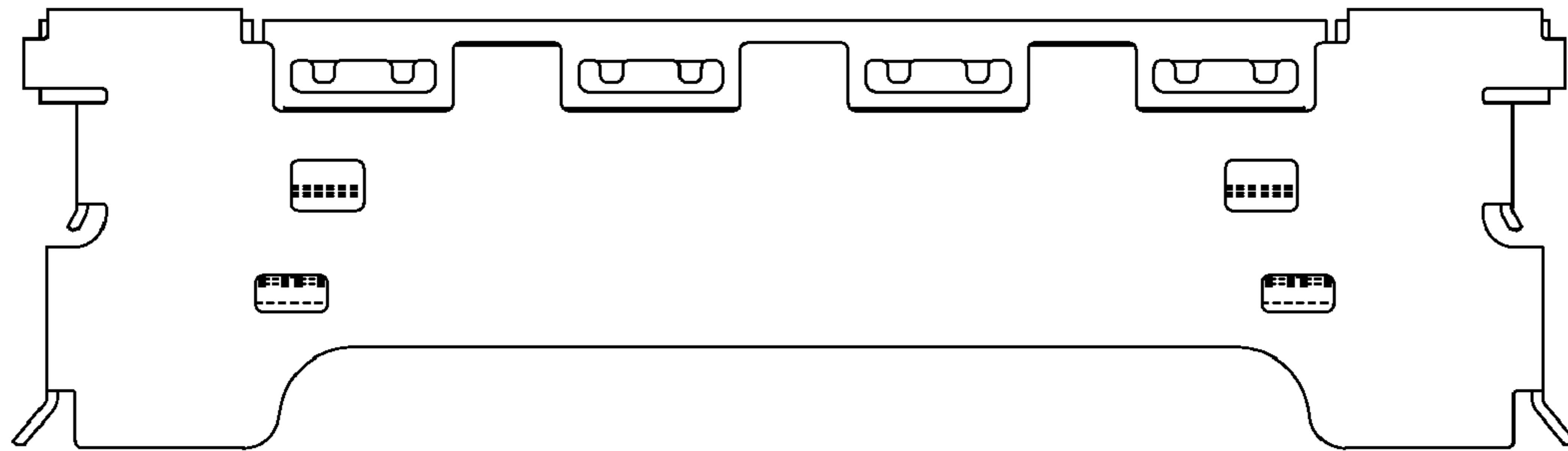


FIG. 4



FIG. 5

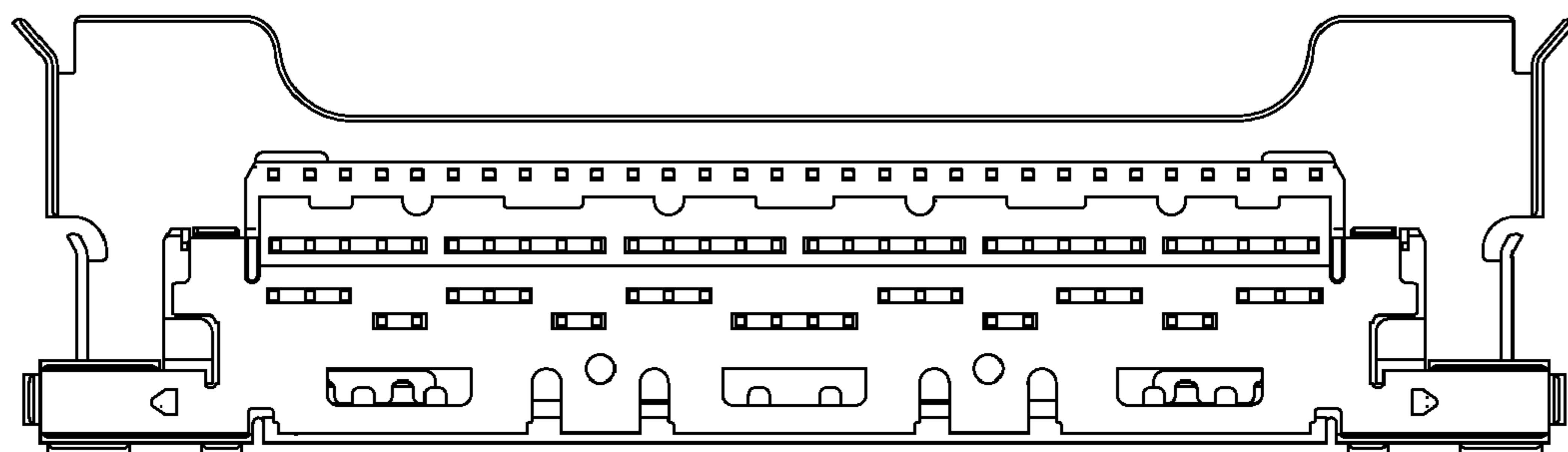


FIG. 6

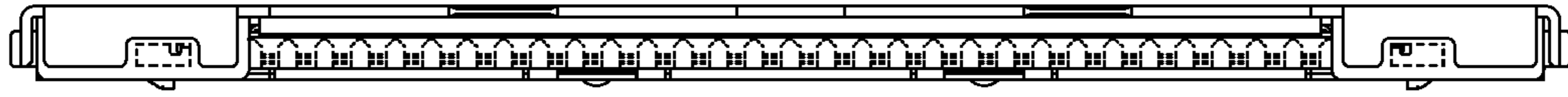


FIG. 7

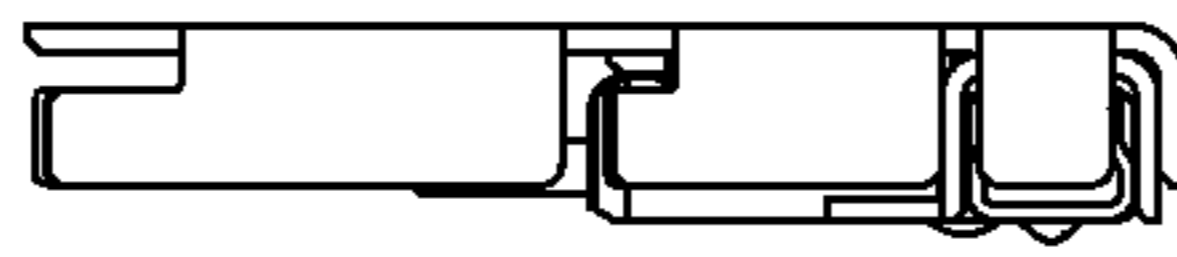


FIG. 8

