

US00D602873S

(12) **United States Design Patent**
Sasaki et al.

(10) **Patent No.:** **US D602,873 S**
(45) **Date of Patent:** **** Oct. 27, 2009**

(54) **ELECTRICAL CONNECTOR**

D590,776 S * 4/2009 Kondo D13/147

(75) Inventors: **Daisuke Sasaki**, Isesaki (JP); **Junichi Arai**, Isesaki (JP); **Hayato Kondo**, Yao (JP); **Takayuki Nagata**, Yao (JP)

* cited by examiner

Primary Examiner—Daniel D Bui
(74) *Attorney, Agent, or Firm*—Panitch Schwarze Belisario & Nadel LLP

(73) Assignee: **Hosiden Corporation**, Osaka (JP)

(**) Term: **14 Years**

(57) **CLAIM**

(21) Appl. No.: **29/326,564**

The ornamental design for an electrical connector, as shown and described.

(22) Filed: **Oct. 21, 2008**

DESCRIPTION

(30) **Foreign Application Priority Data**

Apr. 24, 2008 (JP) 2008-010486

FIG. 1 is a front, right side and top perspective view of an electrical connector showing our new design;

(51) **LOC (9) Cl.** **13-03**

(52) **U.S. Cl.** **D13/147**

FIG. 2 is a rear, left side and bottom perspective view thereof;

(58) **Field of Classification Search** D13/146-147,
D13/154, 184; 439/108, 476.1, 483, 527,
439/533, 607-610, 892, 894

FIG. 3 is a front elevation view thereof;

FIG. 4 is a rear view thereof;

FIG. 5 is a left side view thereof;

FIG. 6 is a right side view thereof;

FIG. 7 is a top plan view thereof; and,

FIG. 8 is a bottom plan view thereof.

See application file for complete search history.

The broken line portion of the figure drawings is included to show unclaimed subject matter only and forms no part of the claimed design.

(56) **References Cited**

U.S. PATENT DOCUMENTS

D433,667 S * 11/2000 Li et al. D13/147
D548,191 S * 8/2007 Arai et al. D13/147
D559,189 S * 1/2008 Arai et al. D13/147
D559,190 S * 1/2008 Arai et al. D13/147

1 Claim, 4 Drawing Sheets

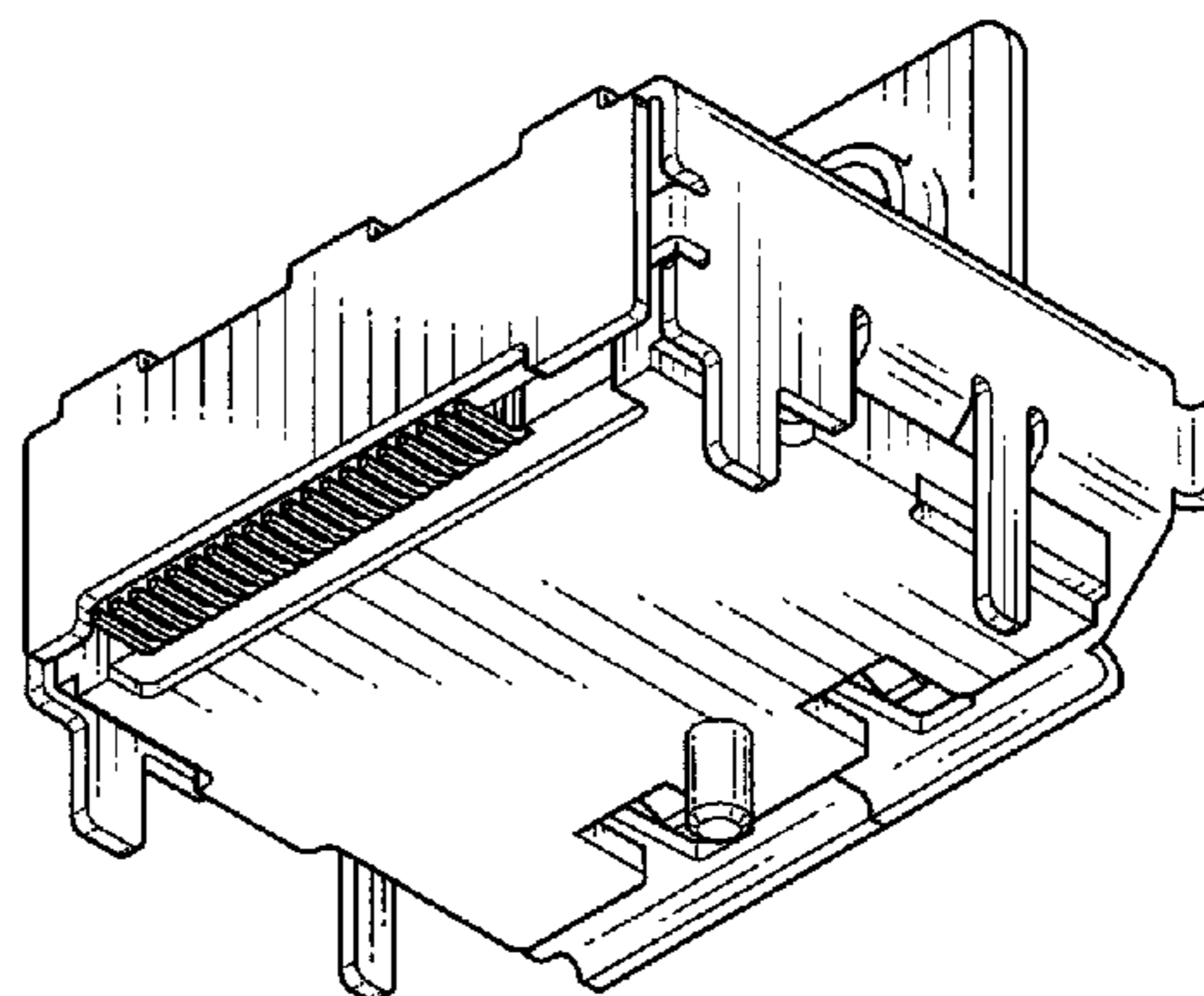
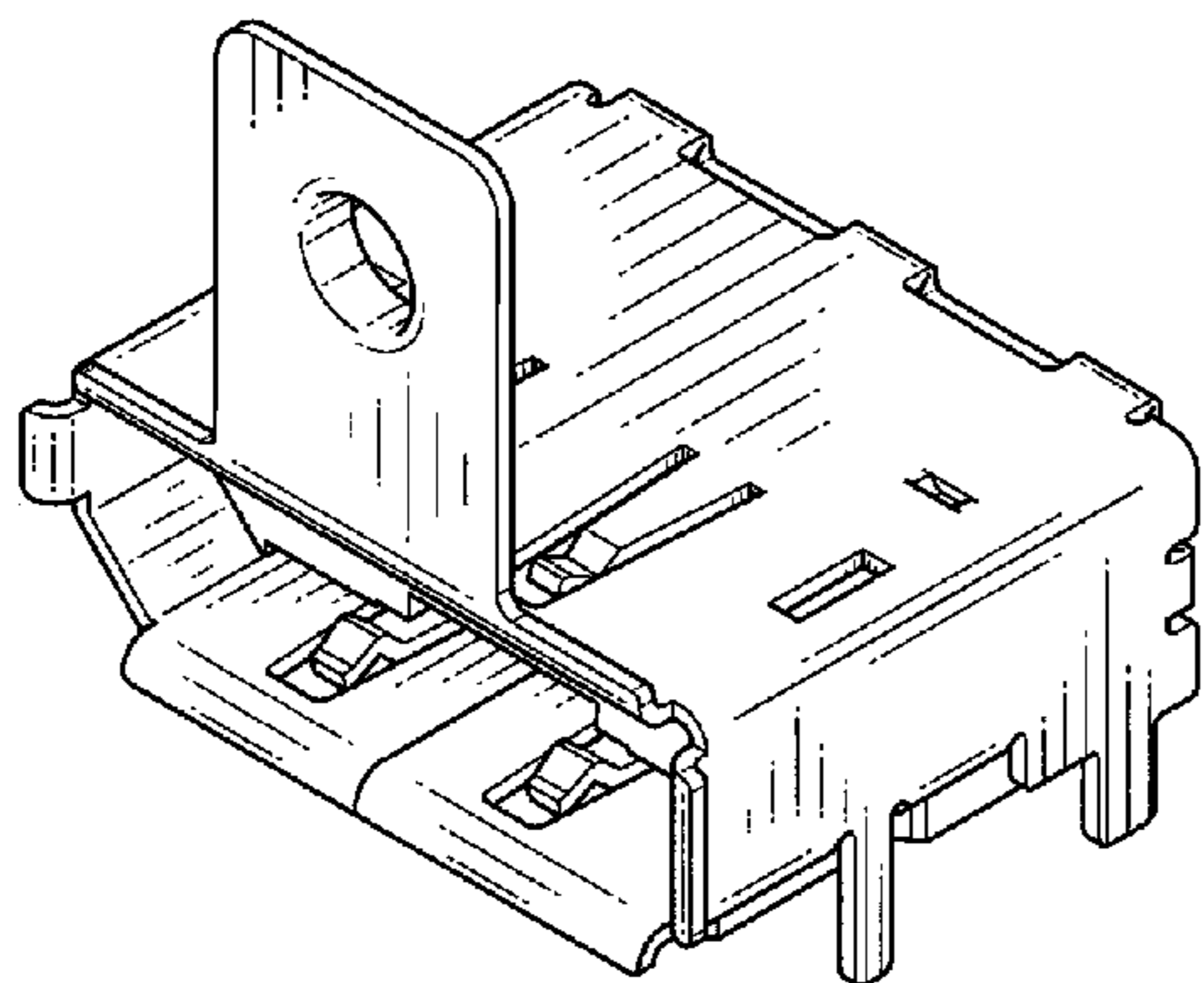


Fig. 1

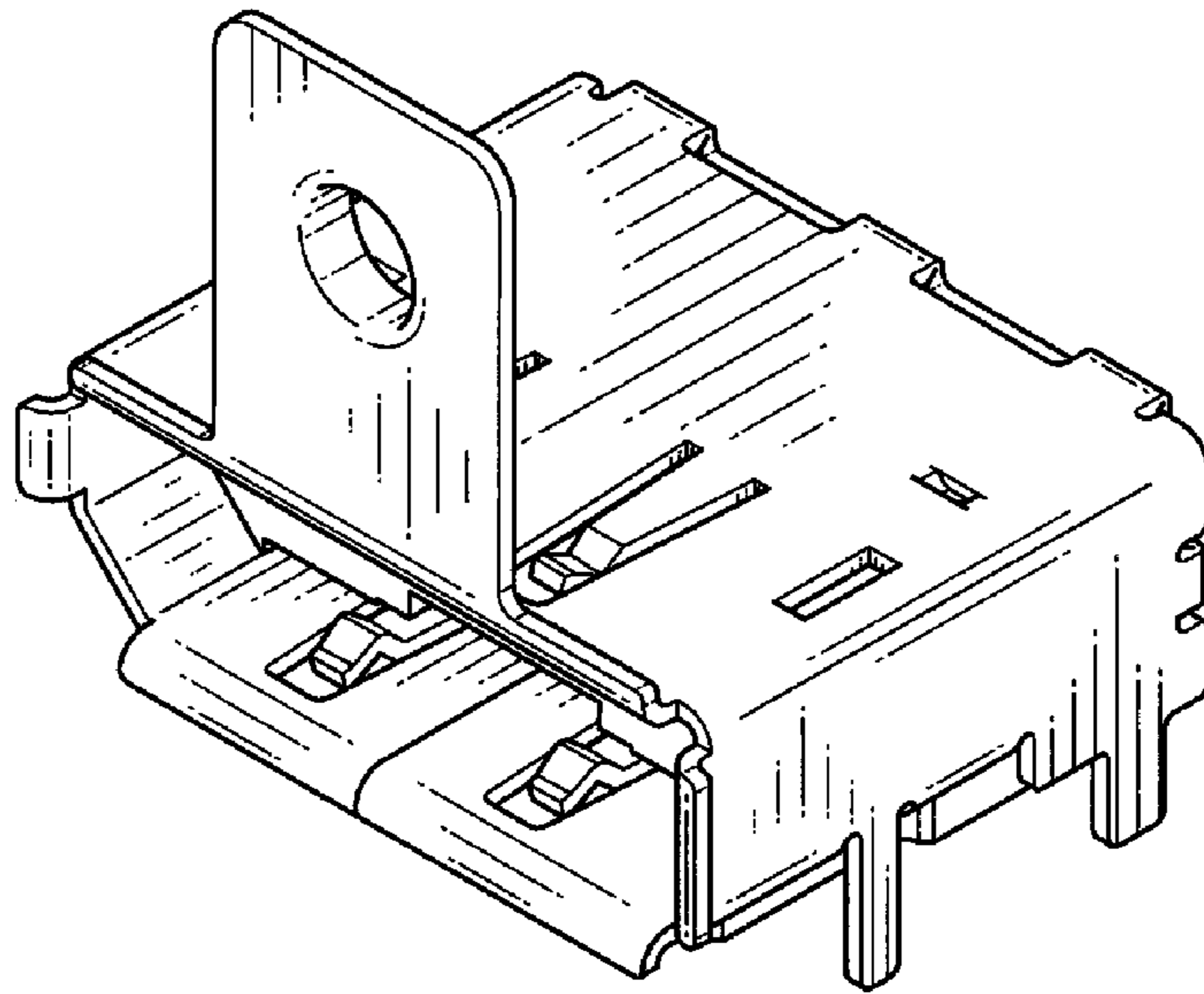


Fig. 2

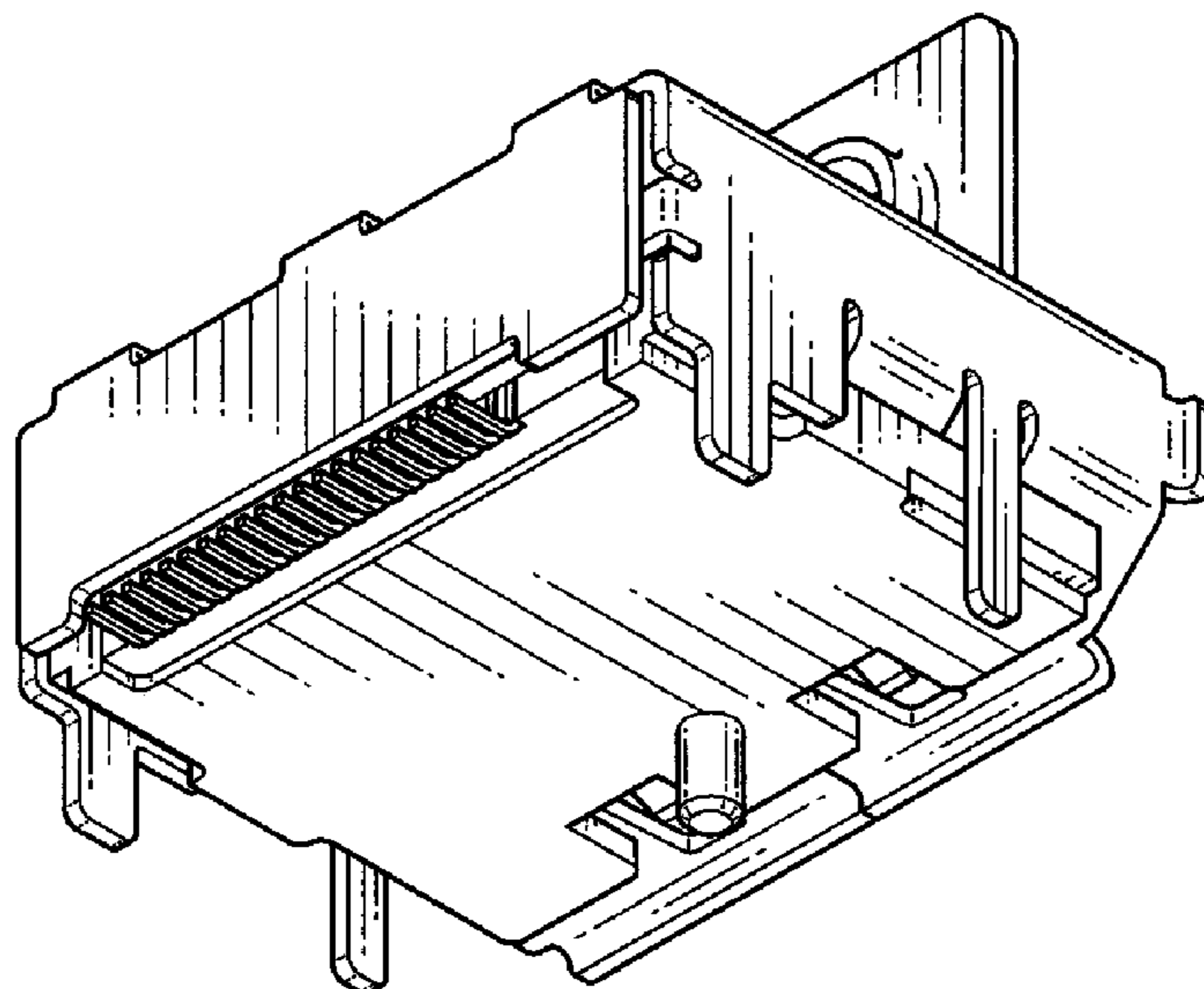


Fig. 3

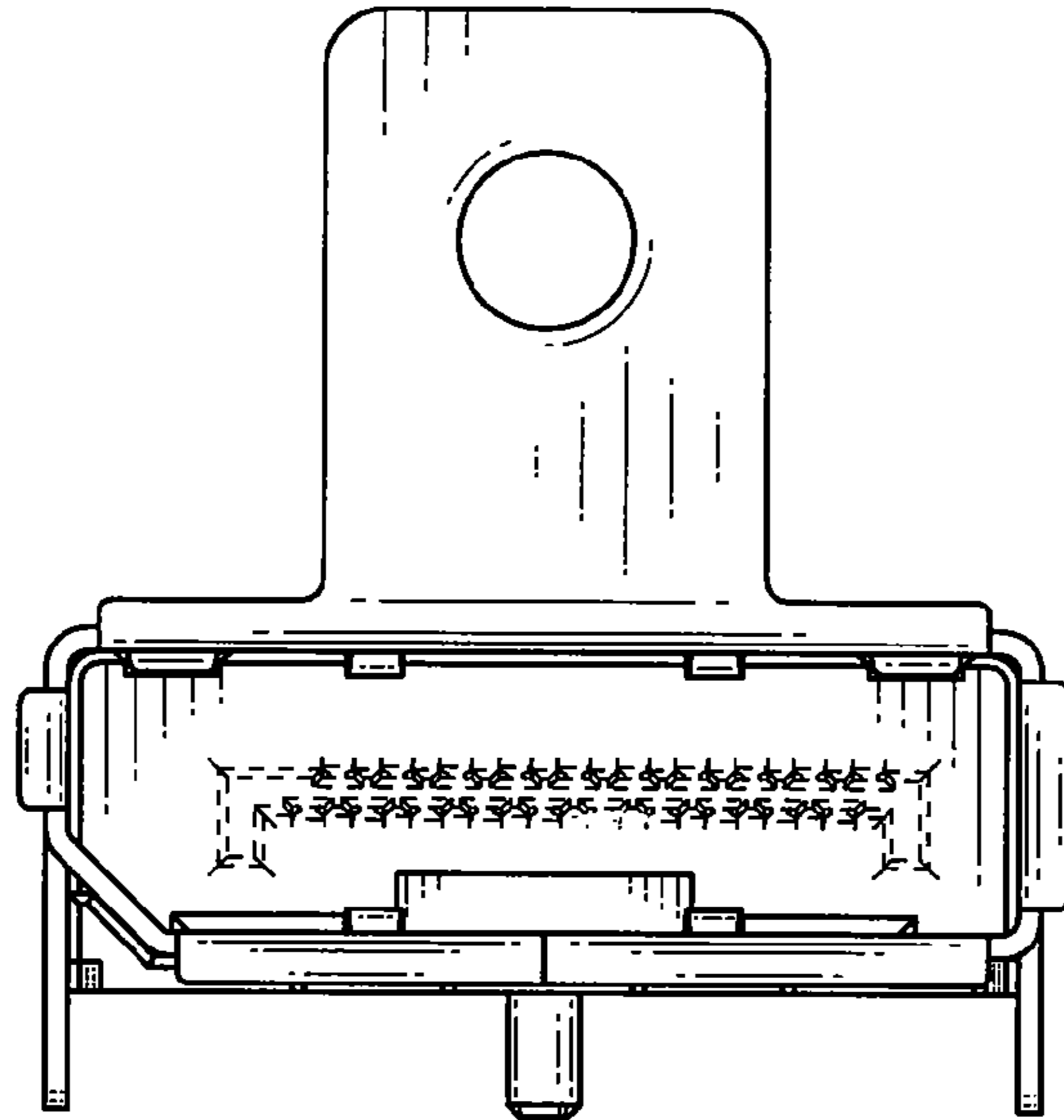


Fig. 4

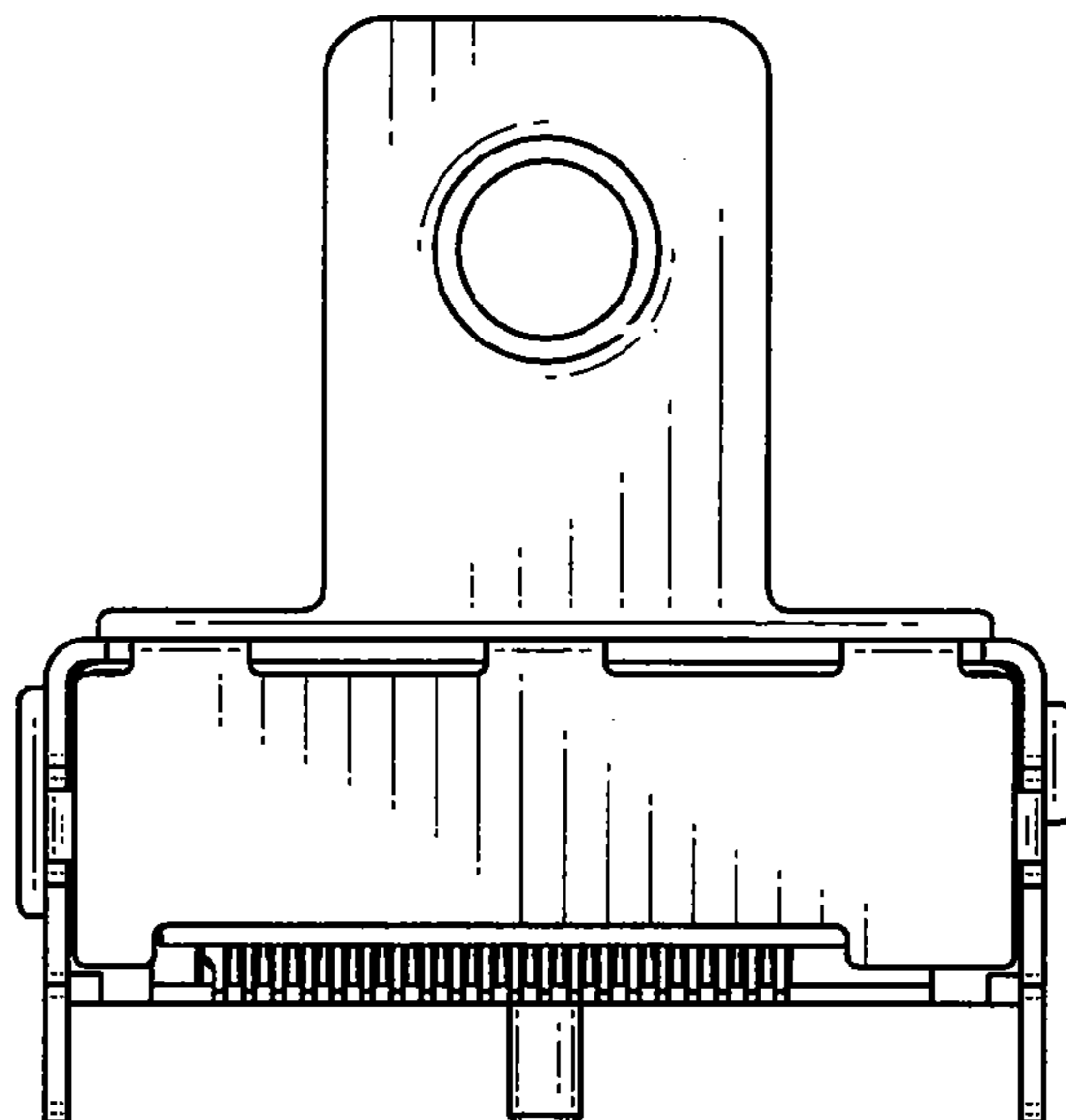


Fig. 5

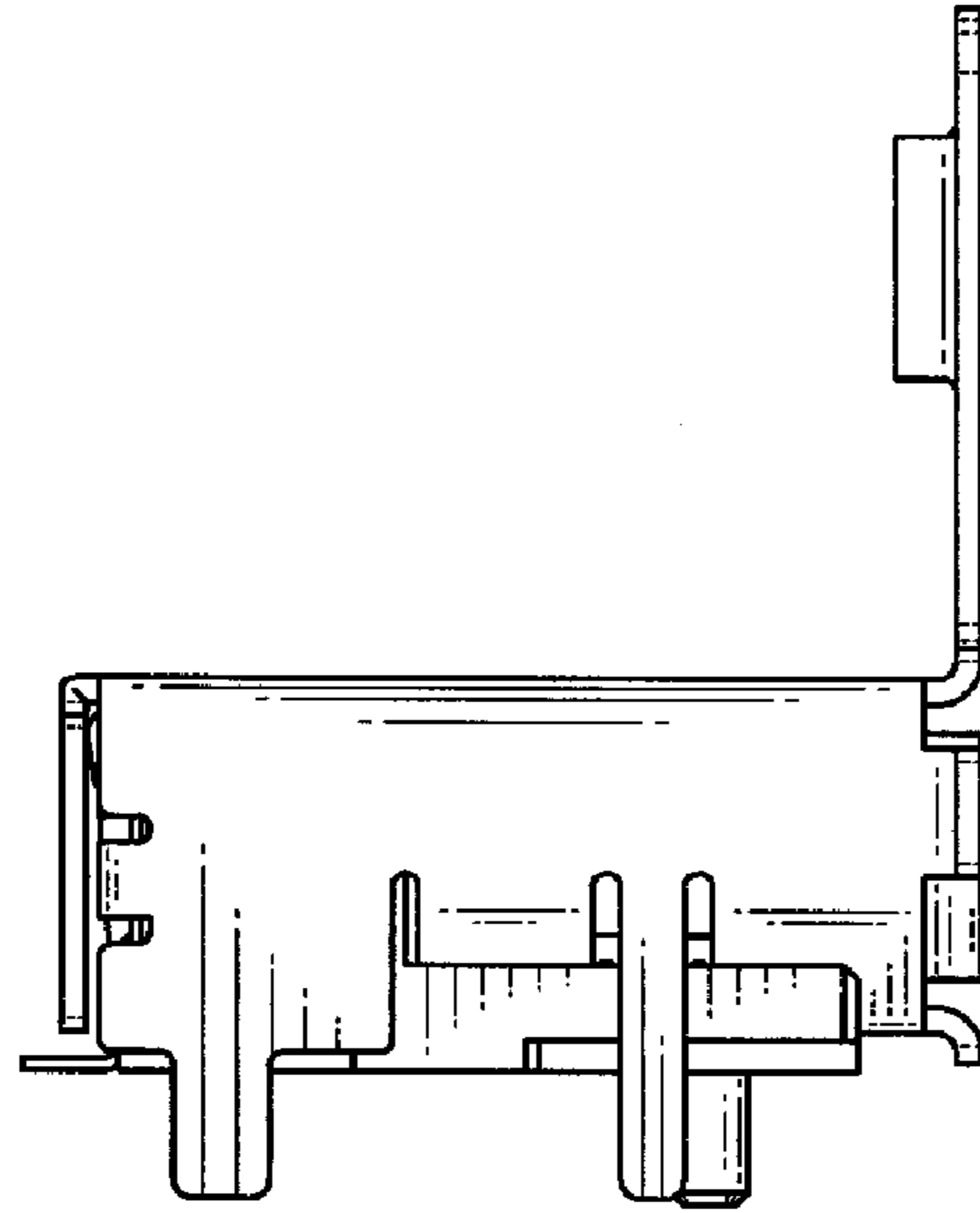


Fig. 6

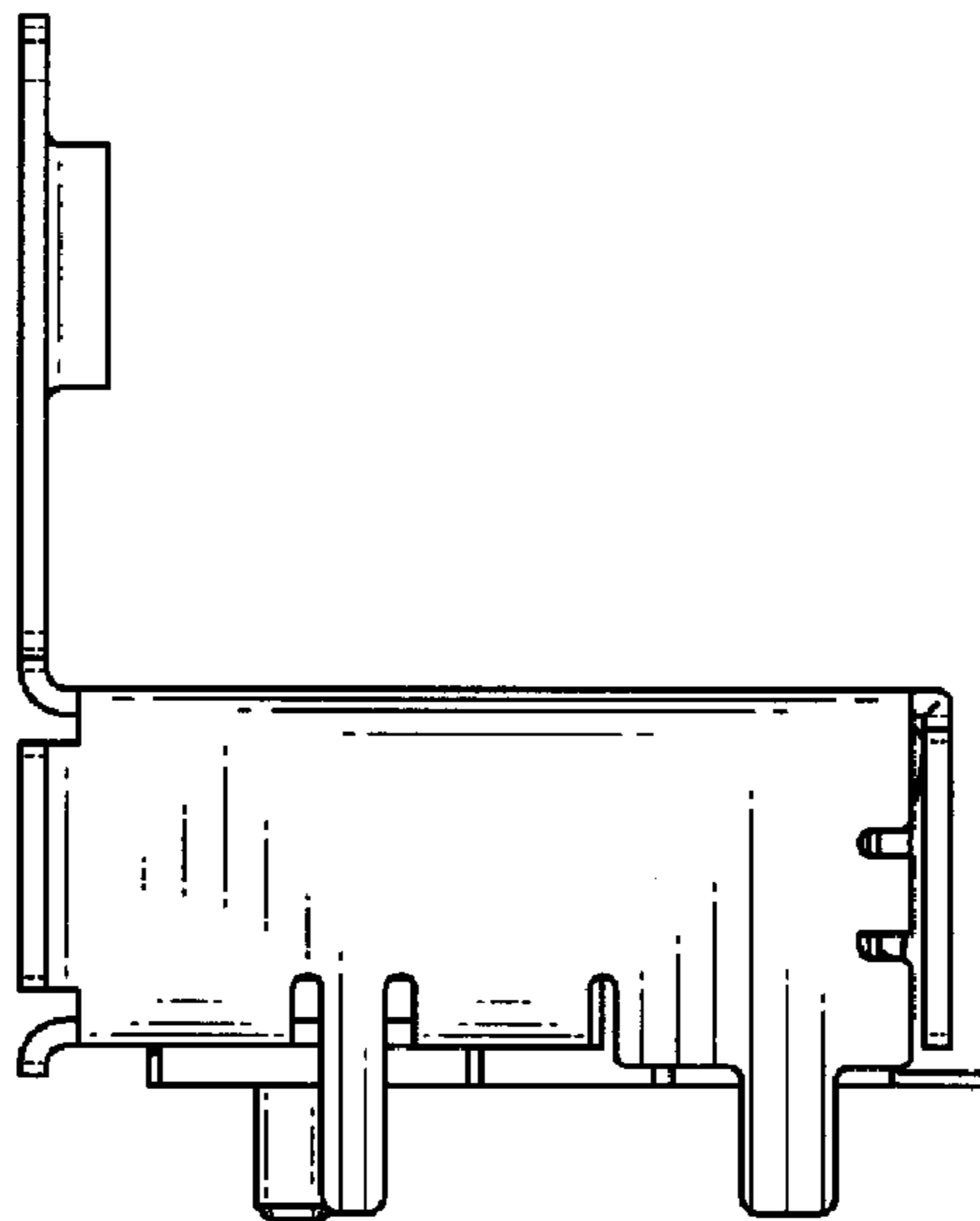


Fig. 7

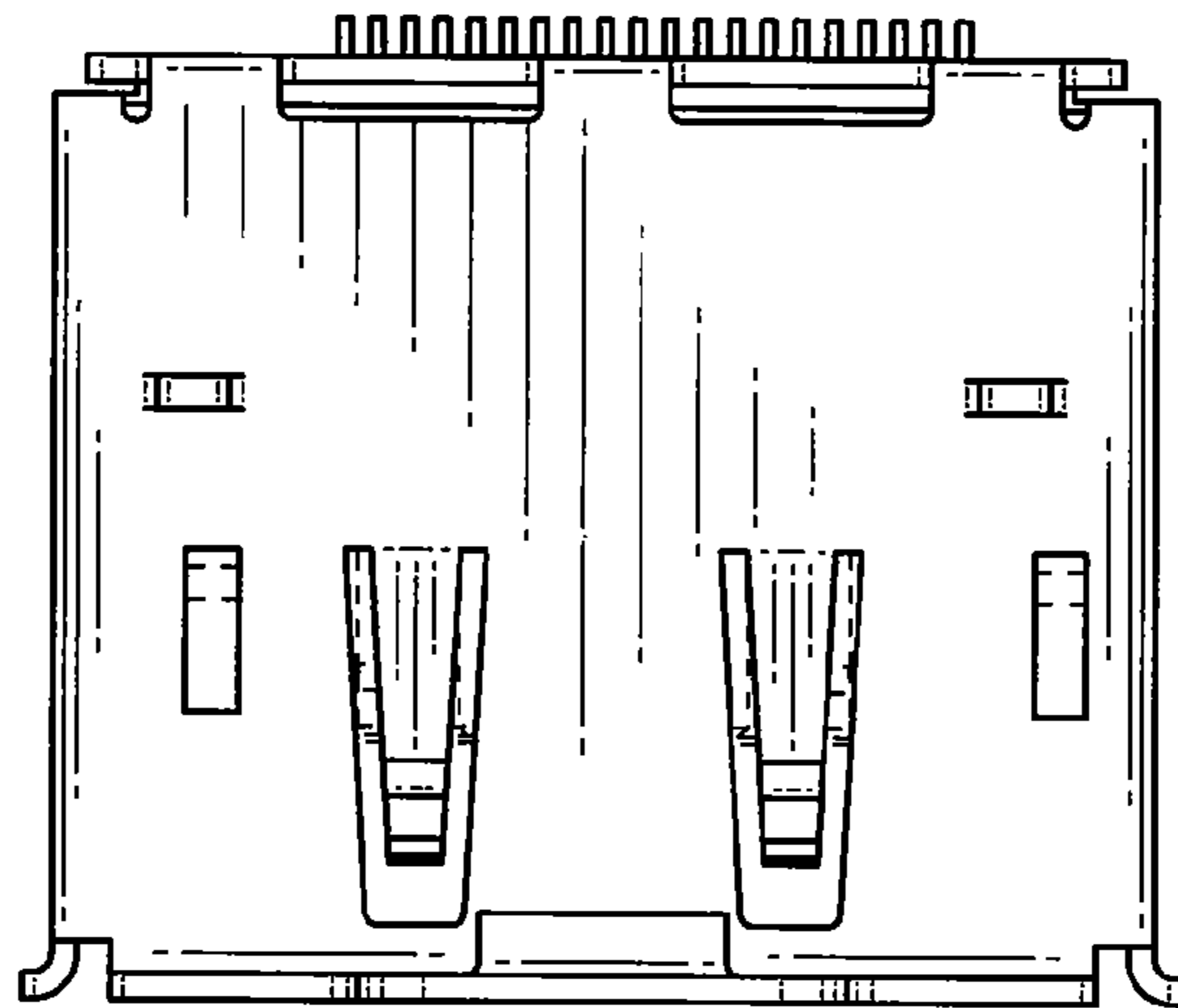


Fig. 8

