



US00D602872S

(12) **United States Design Patent**  
**Arai et al.**

(10) **Patent No.:** **US D602,872 S**  
(45) **Date of Patent:** **\*\* Oct. 27, 2009**

(54) **ELECTRICAL CONNECTOR**

(75) Inventors: **Junichi Arai**, Isesaki (JP); **Takao Asano**, Isesaki (JP)

(73) Assignee: **Hosiden Corporation**, Osaka (JP)

(\*\*) Term: **14 Years**

(21) Appl. No.: **29/326,347**

(22) Filed: **Oct. 16, 2008**

(30) **Foreign Application Priority Data**

Jun. 9, 2008 (JP) ..... 2008-014611

(51) **LOC (9) Cl.** ..... **13-03**

(52) **U.S. Cl.** ..... **D13/147**

(58) **Field of Classification Search** ..... D13/146-147,  
D13/154, 184; 439/108, 476.1, 483, 527,  
439/533, 607-610, 892, 894

See application file for complete search history.

(56) **References Cited**

**U.S. PATENT DOCUMENTS**

D548,191 S \* 8/2007 Arai et al. .... D13/147  
D559,189 S \* 1/2008 Arai et al. .... D13/147  
D559,190 S \* 1/2008 Arai et al. .... D13/147  
D559,192 S \* 1/2008 Arai et al. .... D13/147

\* cited by examiner

*Primary Examiner*—Daniel D Bui

(74) *Attorney, Agent, or Firm*—Panitch Schwarze Belisario & Nadel LLP

(57) **CLAIM**

The ornamental design for an electrical connector, as shown and described.

**DESCRIPTION**

FIG. 1 is a front, right side and top perspective view of an electrical connector showing our new design;

FIG. 2 is a rear, right side and bottom perspective view thereof;

FIG. 3 is a front elevation view thereof;

FIG. 4 is a rear view thereof;

FIG. 5 is a left side view thereof, a right side view being a mirror image thereof;

FIG. 6 is a top plan view thereof; and,

FIG. 7 is a bottom plan view thereof.

The broken line portion of the figure drawings is included to show unclaimed subject matter only and forms no part of the claimed design.

**1 Claim, 4 Drawing Sheets**

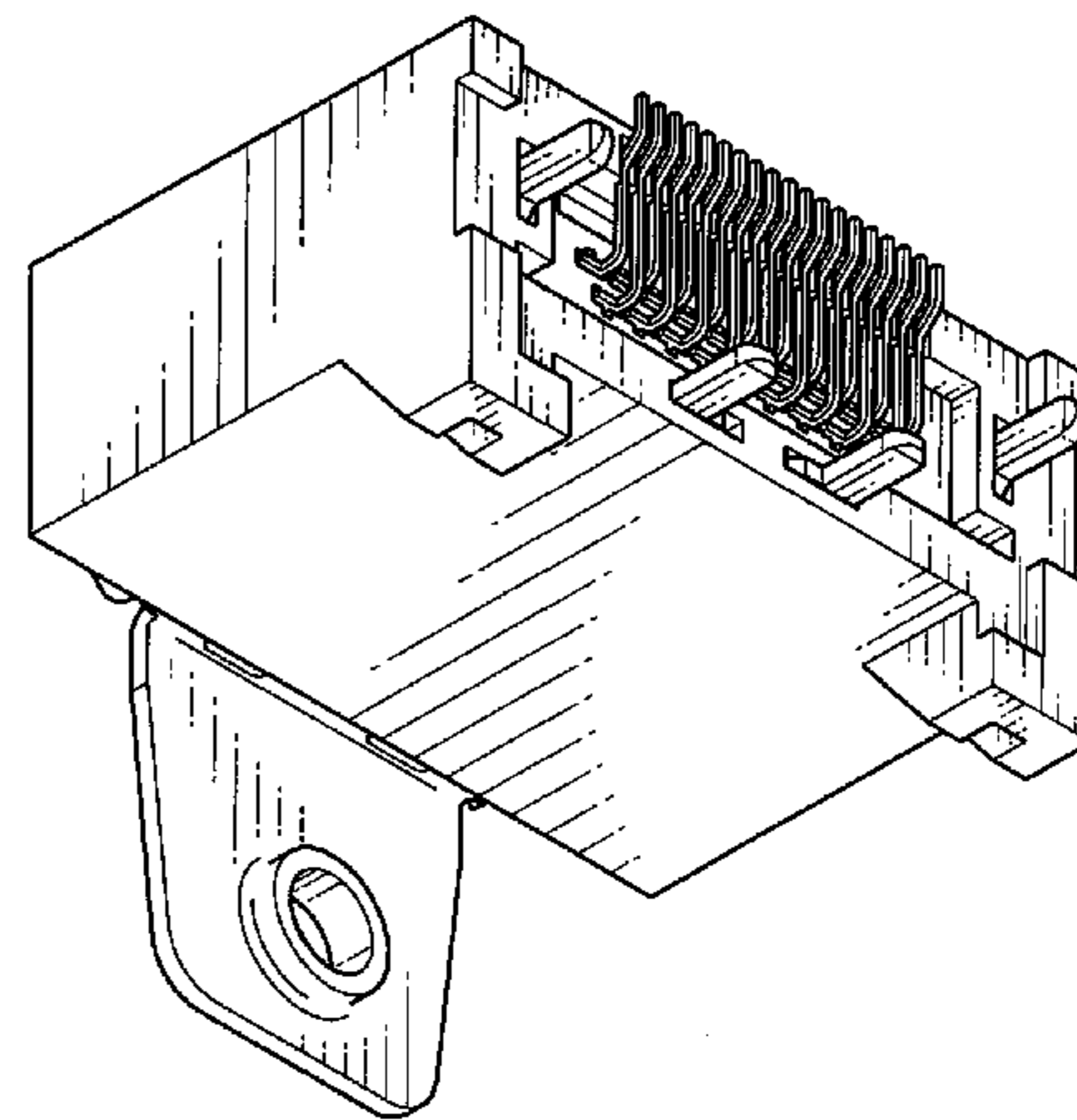
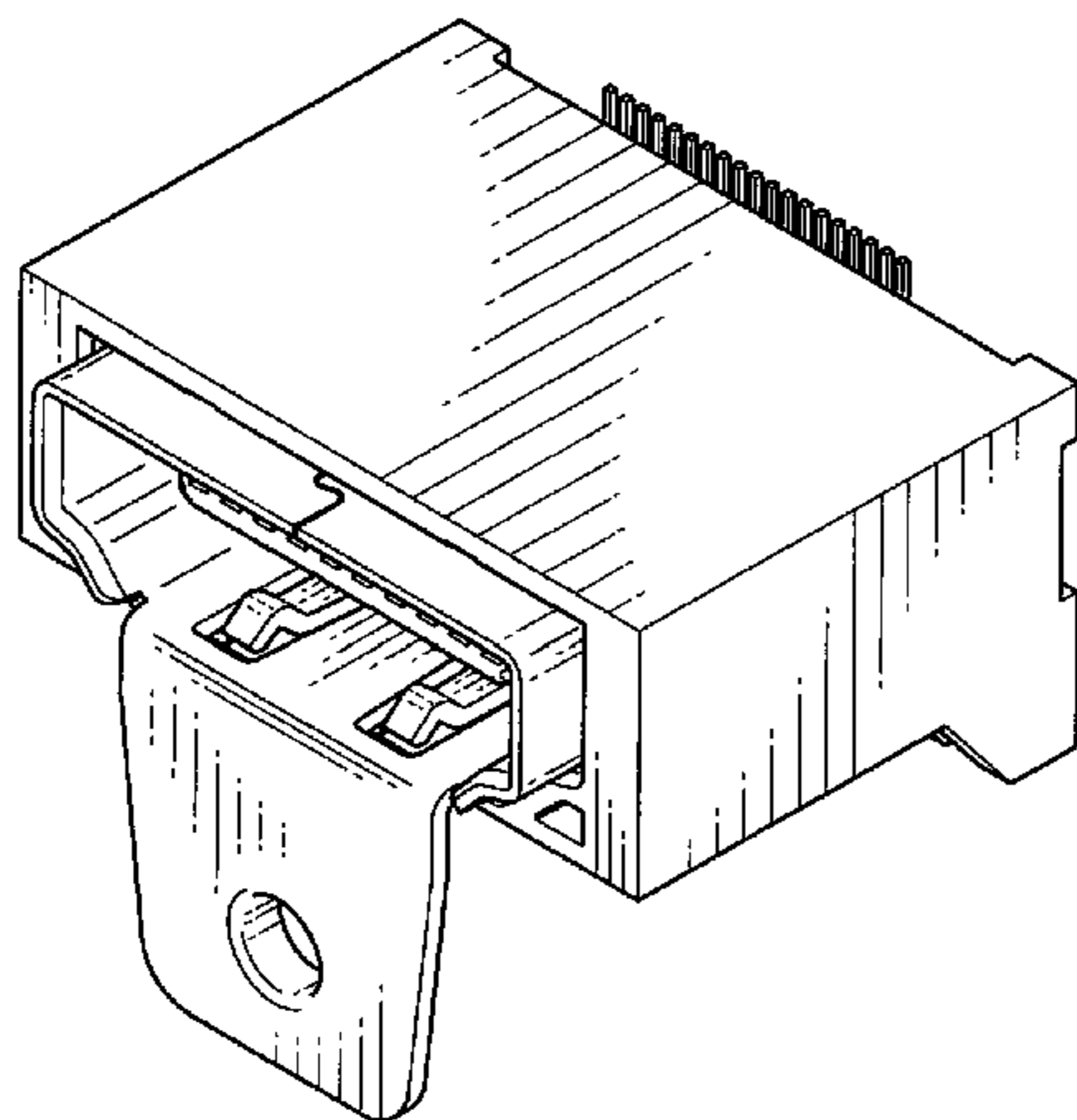


Fig. 1

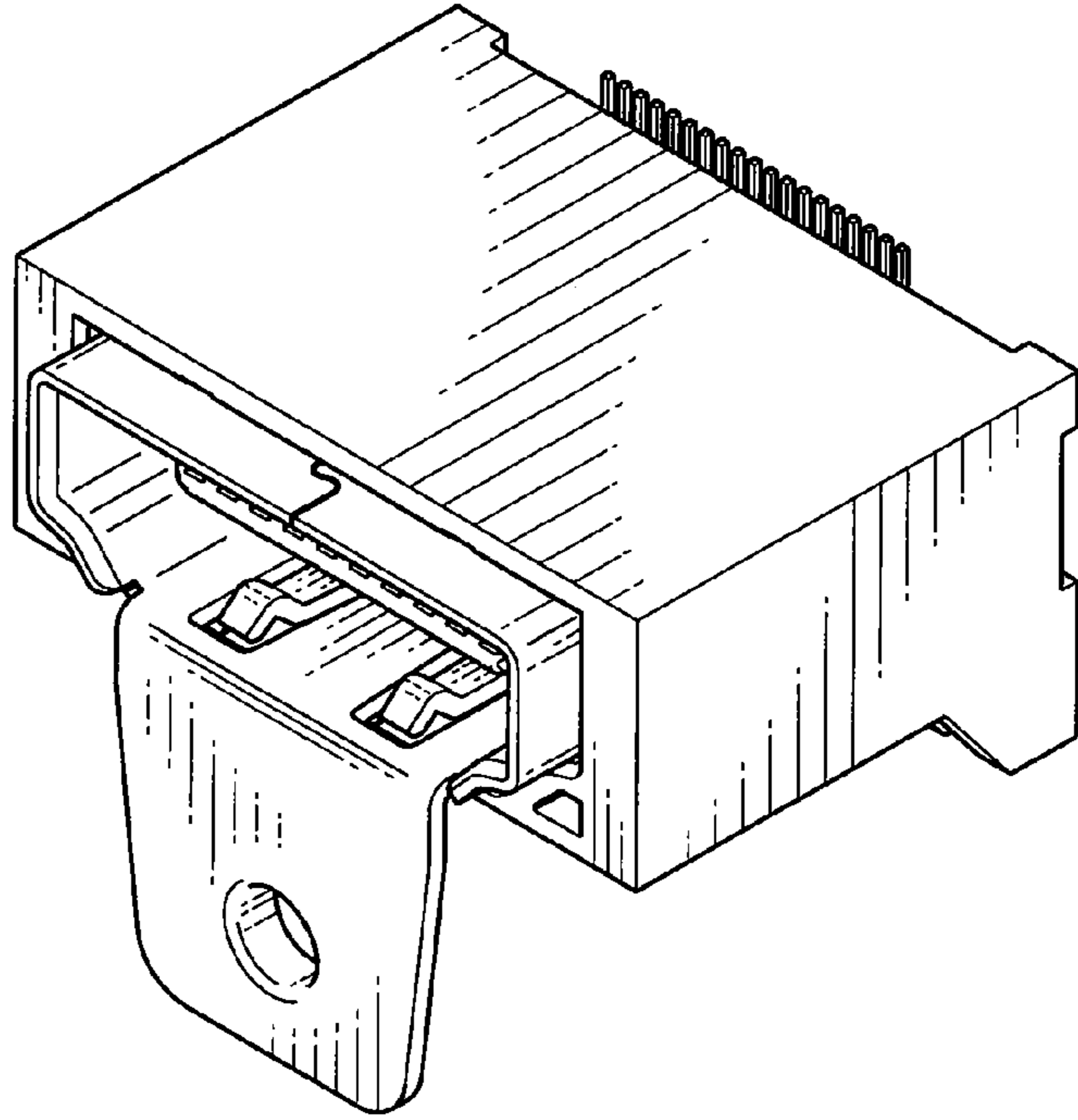


Fig. 2

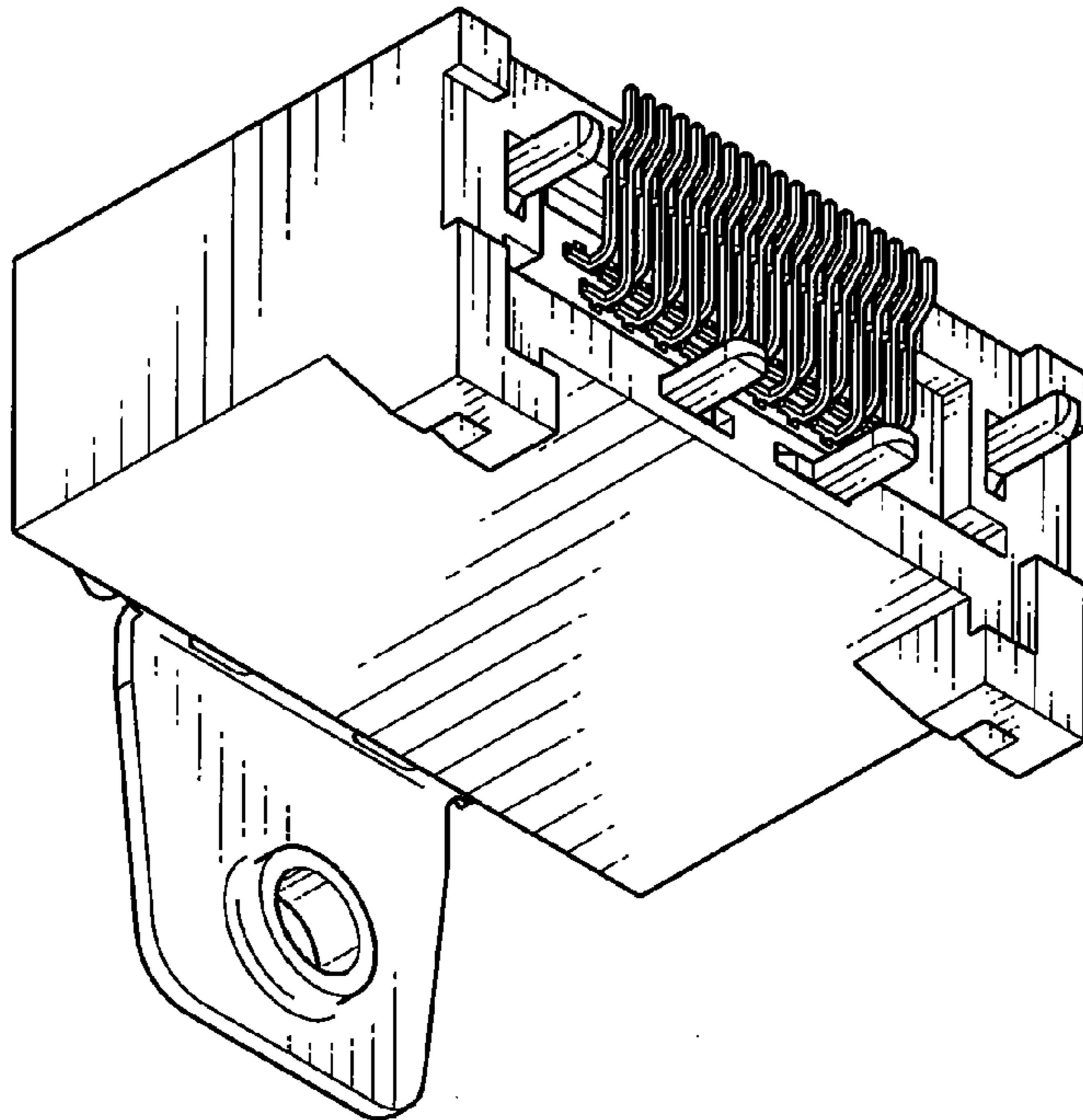


Fig. 3

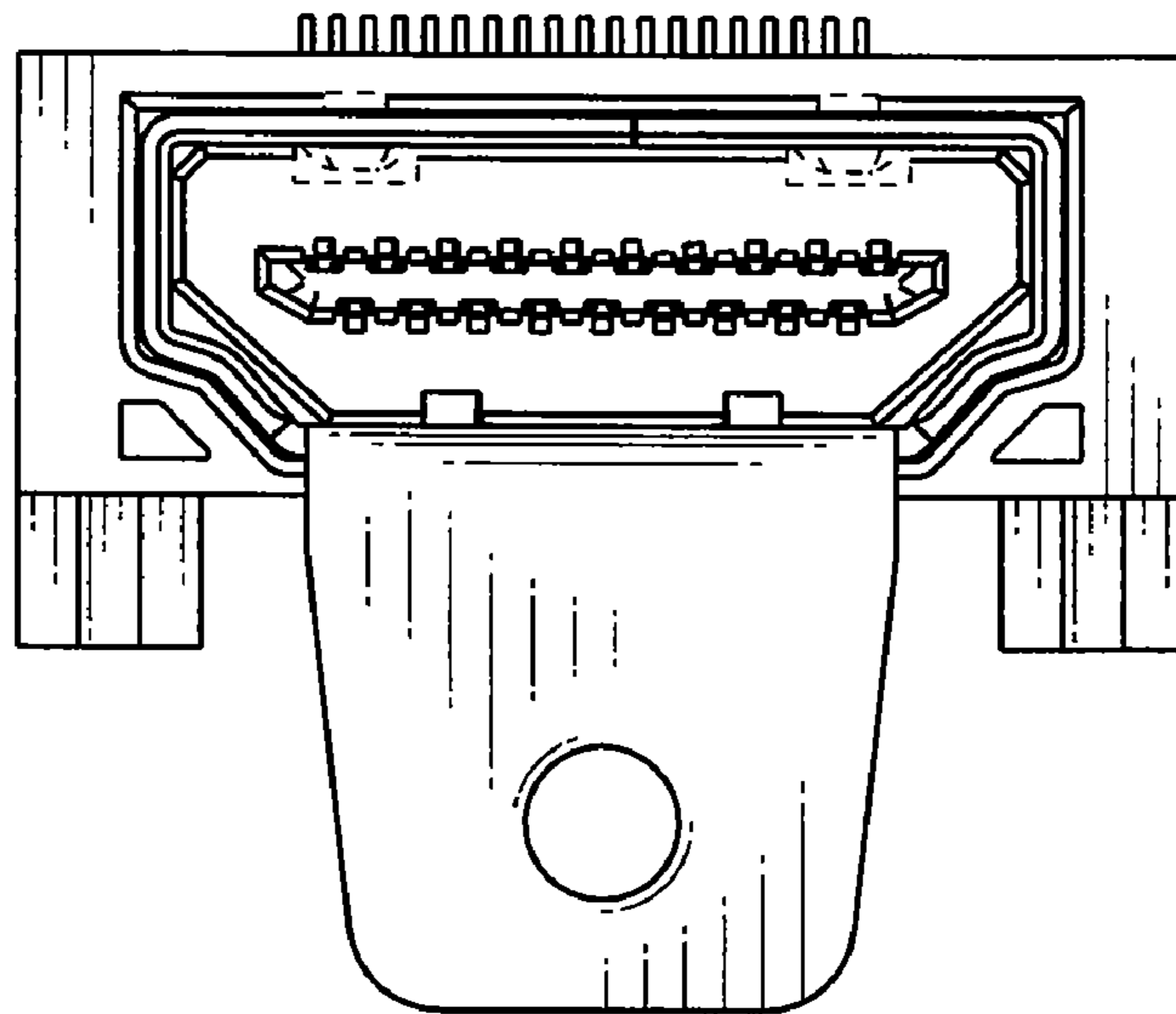


Fig. 4

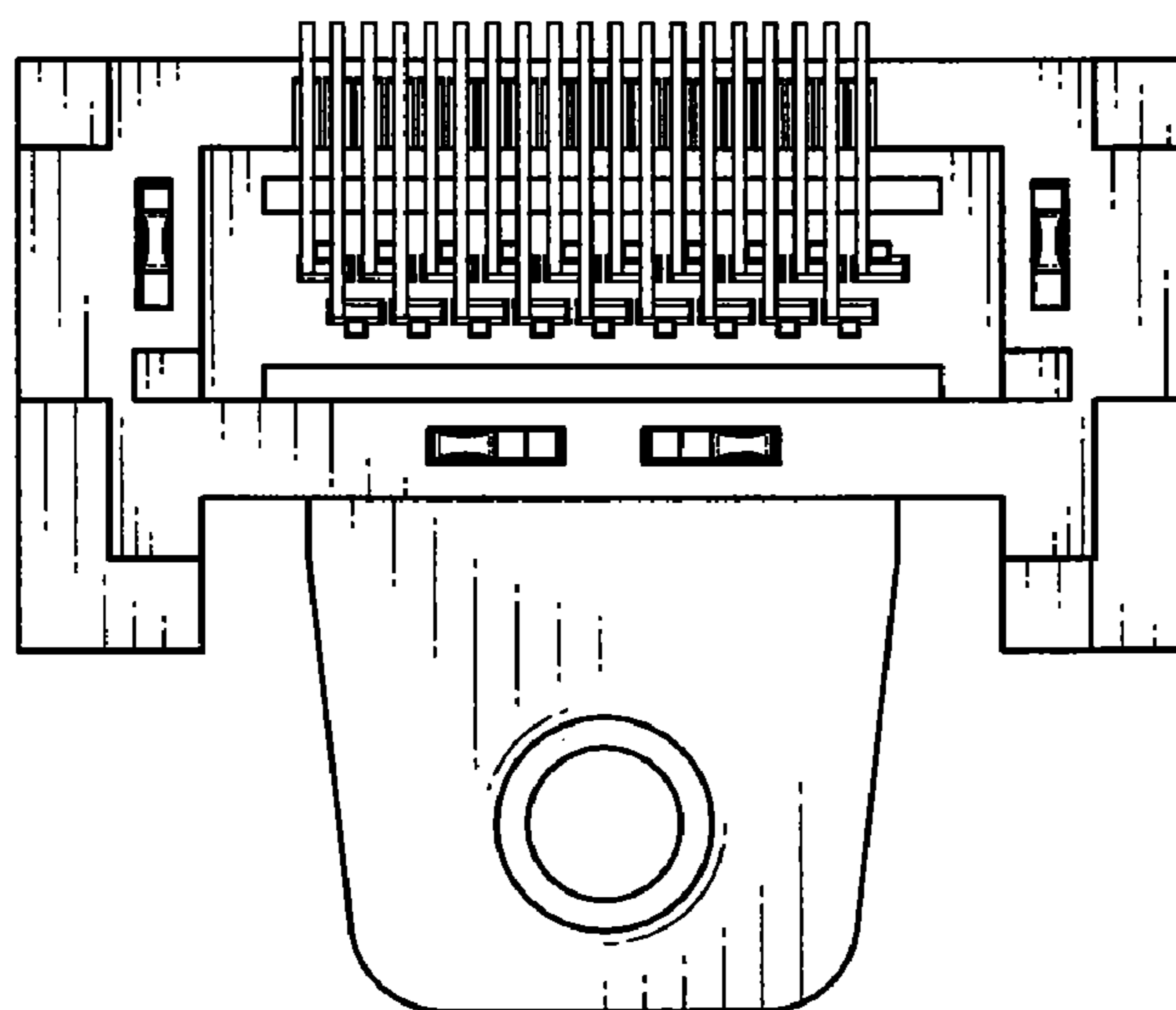


Fig. 5

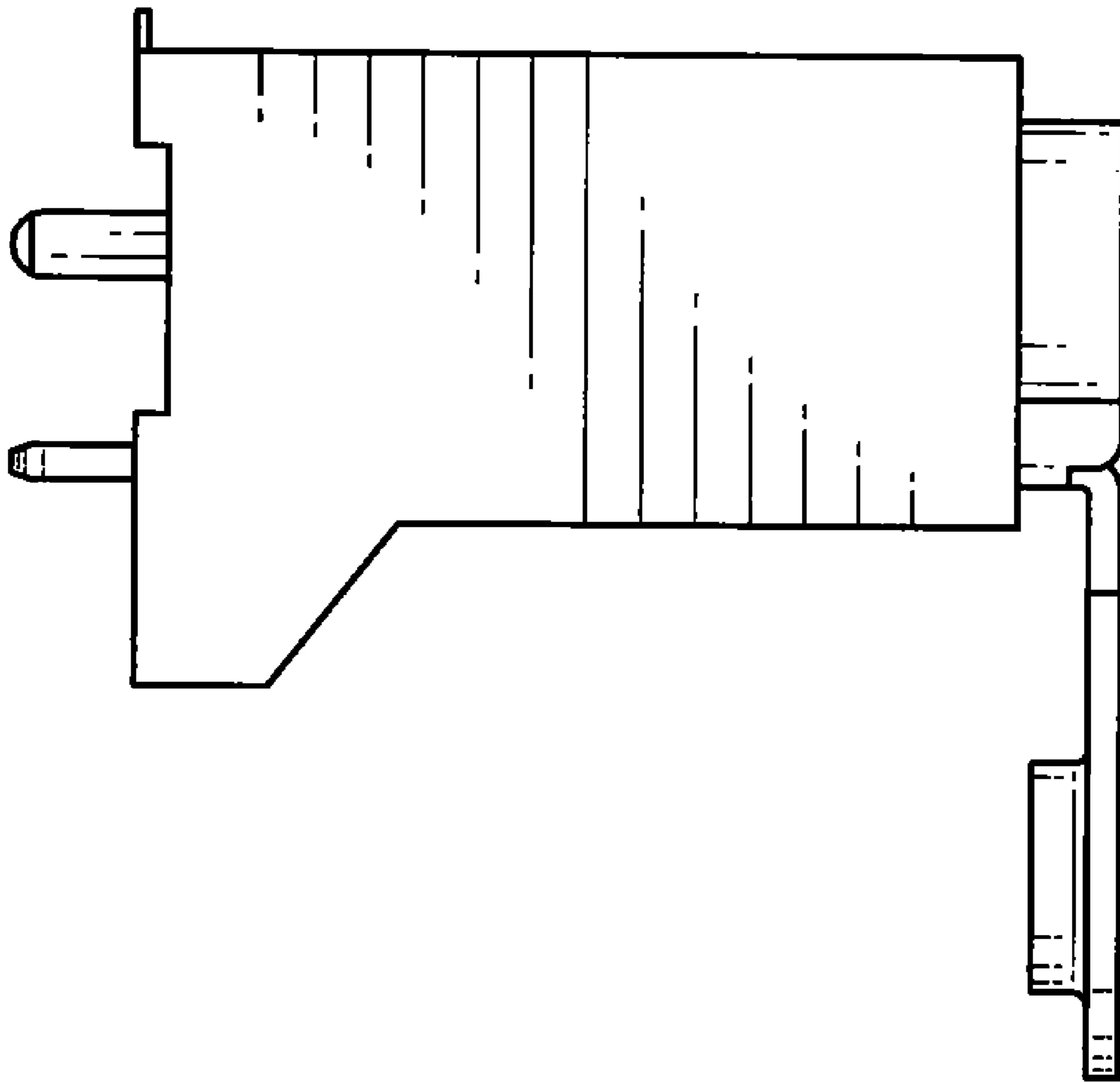


Fig. 6

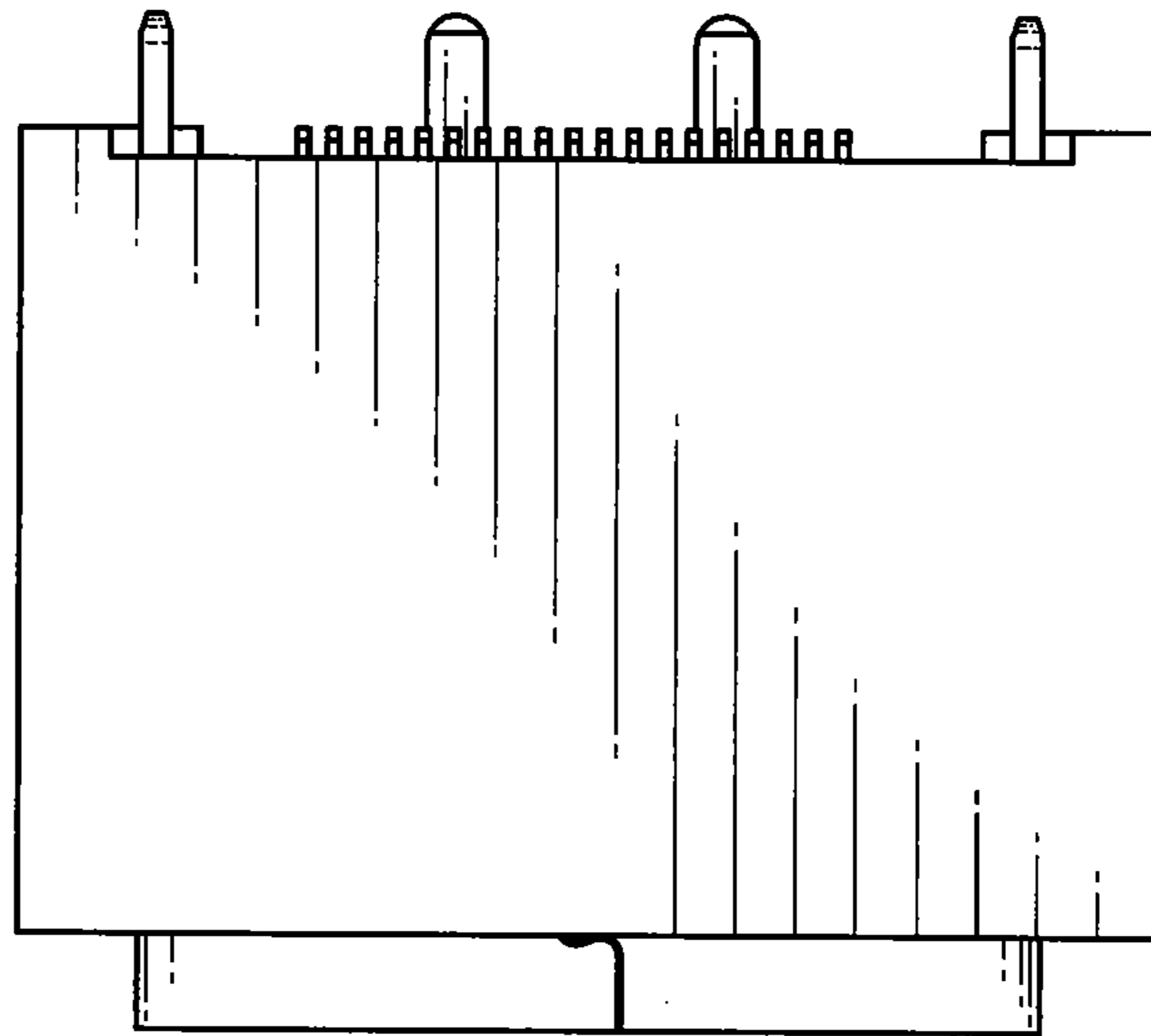


Fig. 7

