



US00D602871S

(12) **United States Design Patent**
Zhao et al.

(10) **Patent No.:** **US D602,871 S**

(45) **Date of Patent:** **** Oct. 27, 2009**

(54) **CABLE CONNECTOR ASSEMBLY**

(75) Inventors: **Jing-He Zhao**, KunShan (CN);
Ping-Sheng Su, TuCheng (TW)

(73) Assignee: **Hon Hai Precision Ind. Co., Ltd**, Taipei
Hsien (TW)

(**) Term: **14 Years**

(21) Appl. No.: **29/313,460**

(22) Filed: **Jan. 8, 2009**

(30) **Foreign Application Priority Data**

Jul. 8, 2008 (CN) 2008 3 0300963

(51) **LOC (9) Cl.** **13-03**

(52) **U.S. Cl.** **D13/147**

(58) **Field of Classification Search** D13/133,
D13/146-147, 153, 154, 184; D21/324,
D21/333, 385; 439/350, 352, 358, 447, 578,
439/584, 585, 607-610, 660, 680, 682, 686
See application file for complete search history.

(56) **References Cited**

U.S. PATENT DOCUMENTS

D512,381 S * 12/2005 Sirichai et al. D13/154
D513,409 S * 1/2006 Suckle D13/156
D516,032 S * 2/2006 Suckle et al. D13/147
D543,155 S * 5/2007 Suckle D13/154

D543,156 S * 5/2007 Suckle D13/154
D543,157 S * 5/2007 Suckle D13/154
D563,899 S * 3/2008 Goetz et al. D13/154

* cited by examiner

Primary Examiner—Daniel D Bui

(74) *Attorney, Agent, or Firm*—Wei Te Chung; Andrew C.
Cheng; Ming Chieh Chang

(57) **CLAIM**

The ornamental design for a cable connector assembly, as
shown.

DESCRIPTION

The patent or application file contains at least one drawing
executed in color. Copies of this patent or patent application
publication with color drawings(s) will be provided by the
Office upon request and payment of the necessary fee.

FIG. 1 is a perspective view of a cable connector assembly
showing our new design;

FIG. 2 is a front elevational view thereof;

FIG. 3 is a rear elevational view thereof;

FIG. 4 is a left side elevational view thereof;

FIG. 5 is a right side elevational view thereof;

FIG. 6 is a top plan view thereof; and,

FIG. 7 is a bottom plan view thereof.

1 Claim, 6 Drawing Sheets
(6 of 6 Drawing Sheet(s) Filed in Color)



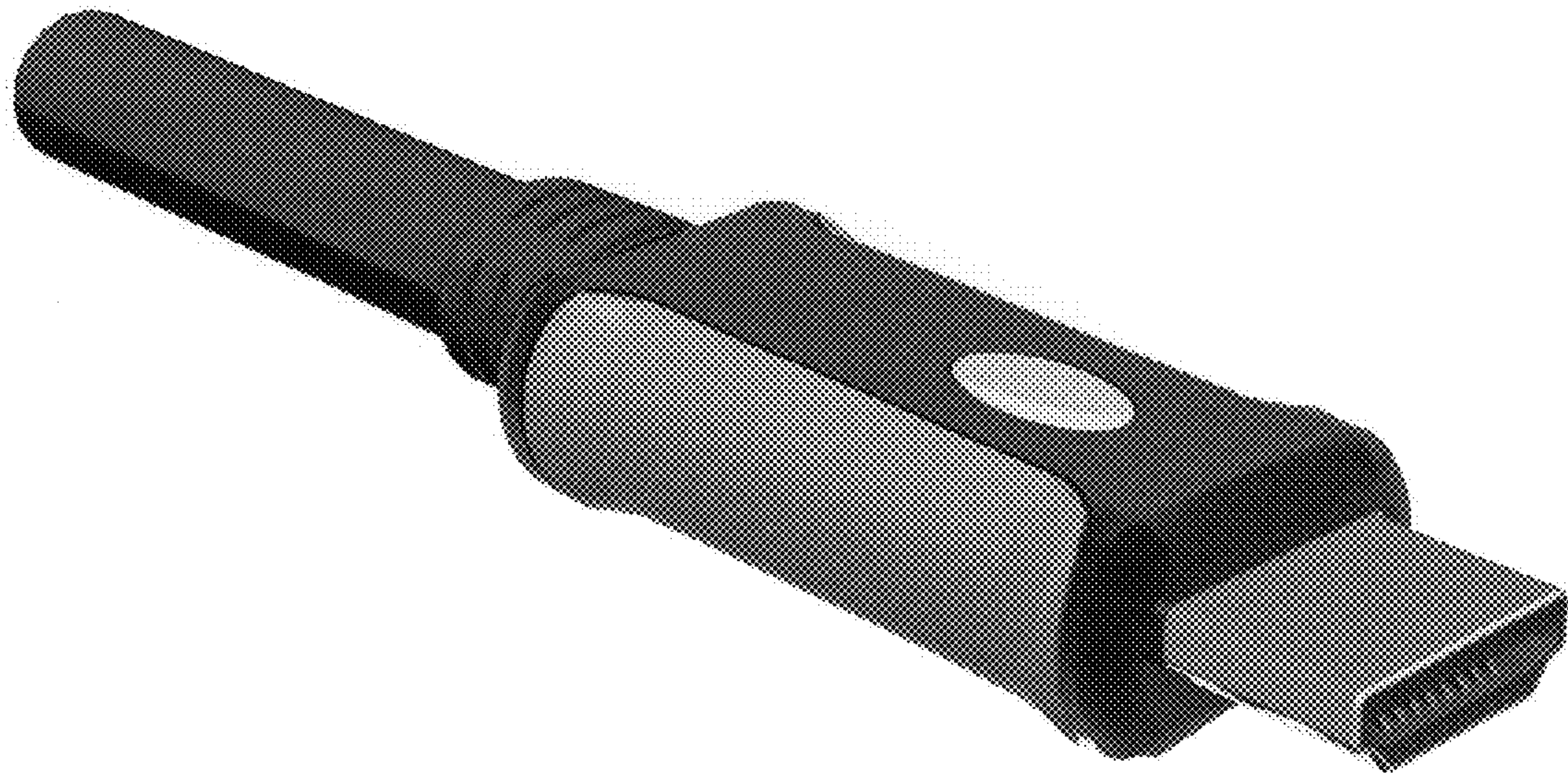


FIG. 1

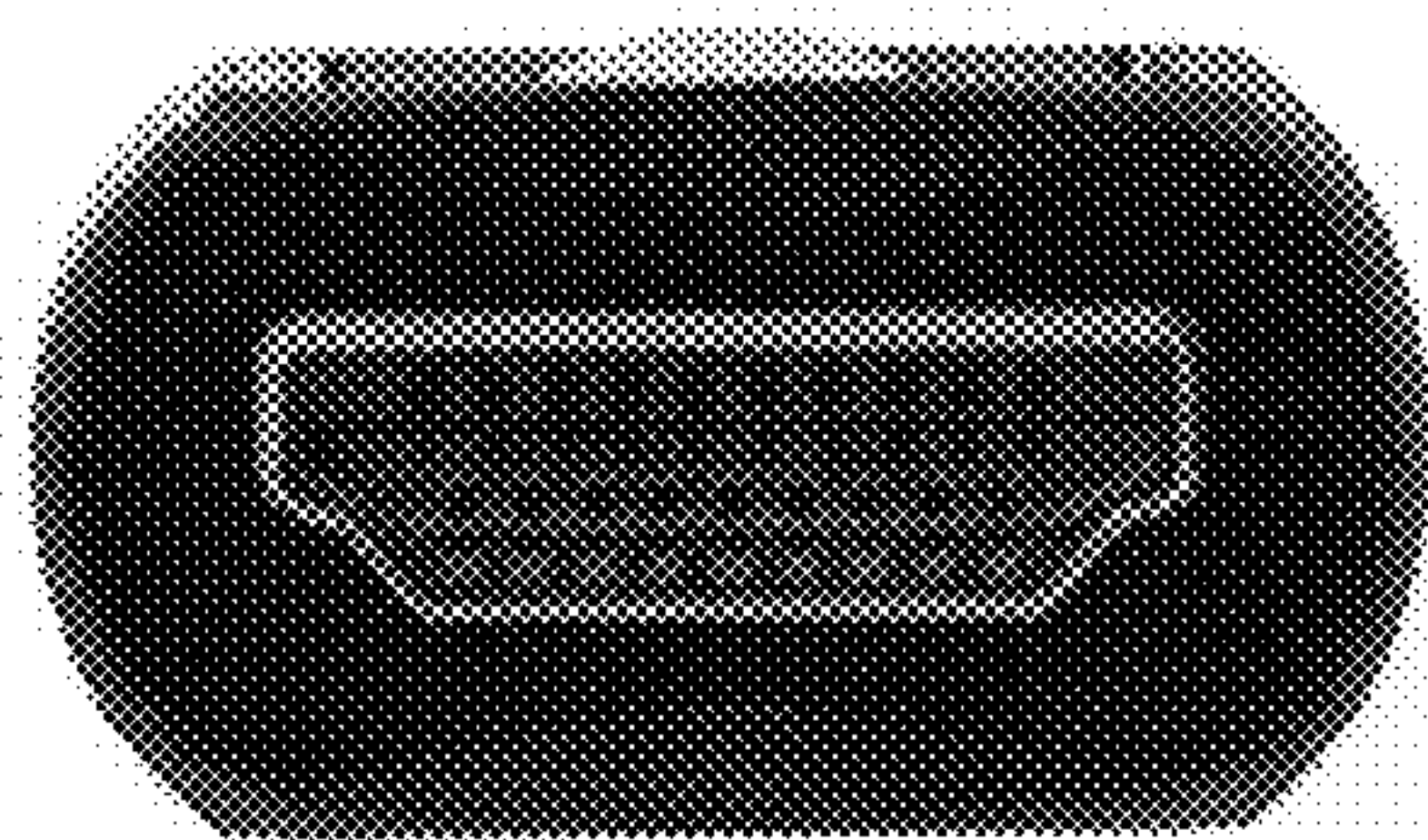


FIG. 2

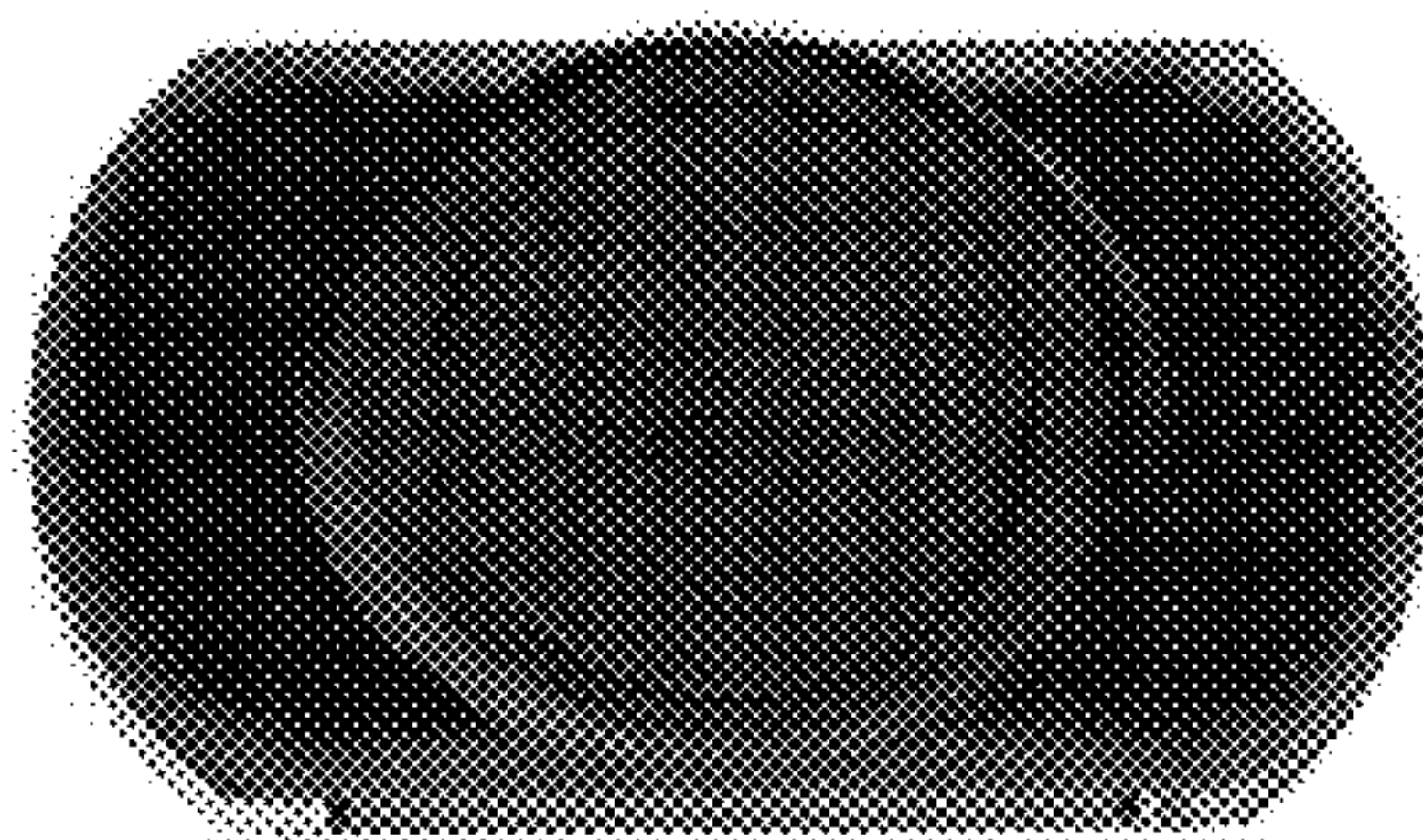


FIG. 3

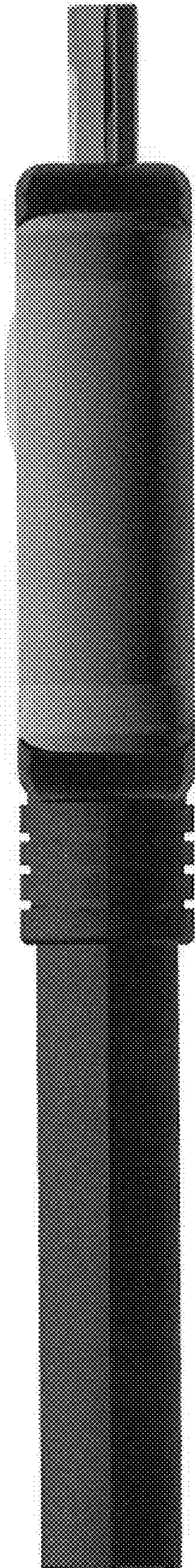


FIG. 4

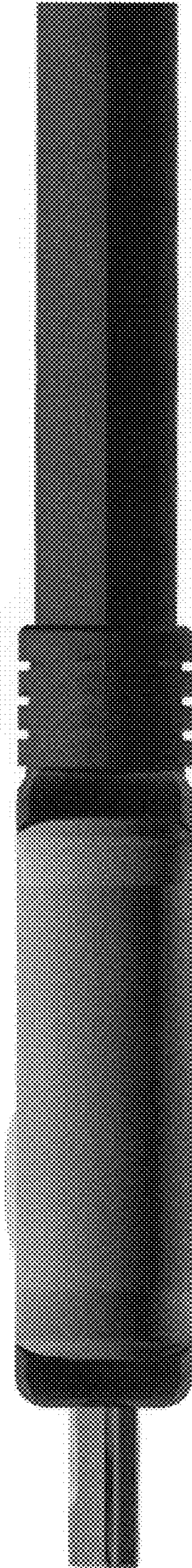


FIG. 5

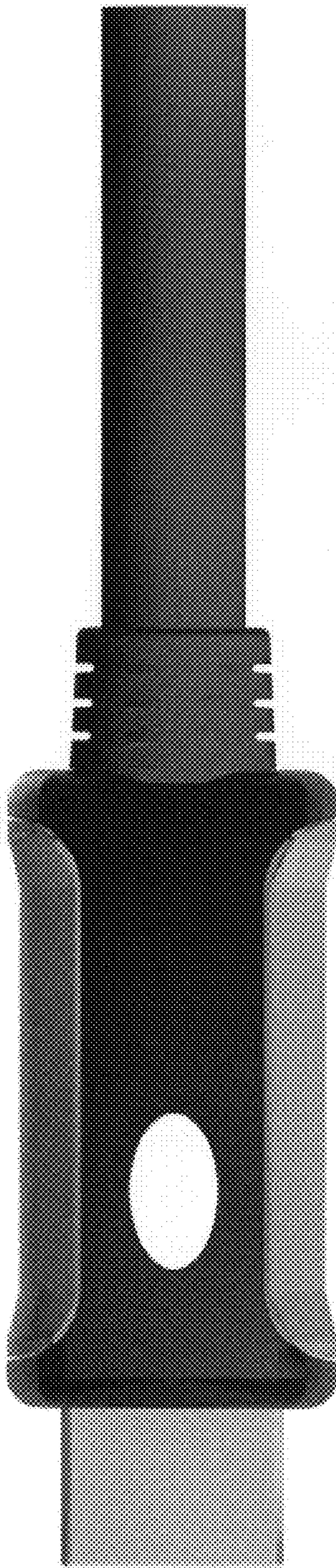


FIG. 6

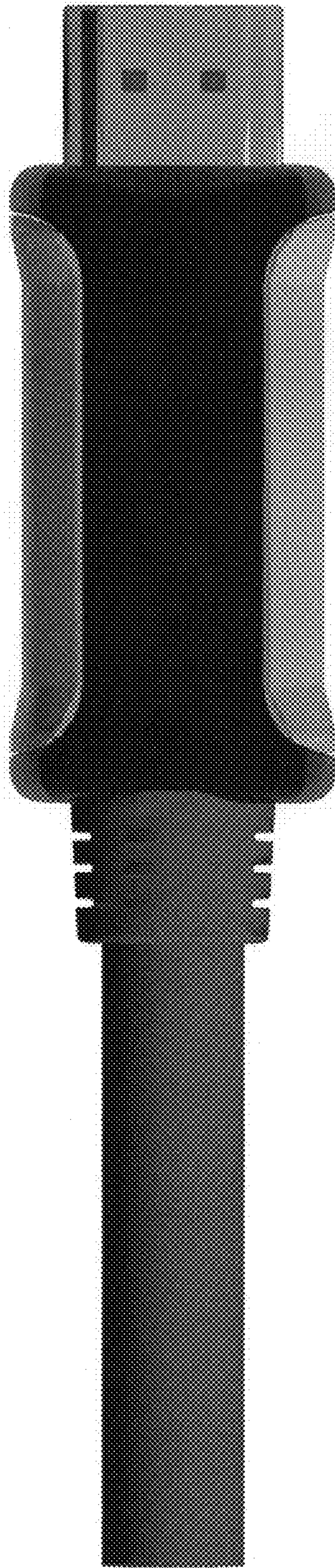


FIG. 7