



US00D602870S

(12) **United States Design Patent**
Wu et al.

(10) **Patent No.:** **US D602,870 S**

(45) **Date of Patent:** **** Oct. 27, 2009**

(54) **ELECTRICAL CONNECTOR**

(75) Inventors: **Ren-Fu Wu**, Kunshan (CN); **Wen-Jun Tang**, Kunshan (CN); **Xue-Wu Bu**, Kunshan (CN)

(73) Assignee: **Hon Hai Precision Ind. Co., Ltd**, Taipei Hsien (TW)

(**) Term: **14 Years**

(21) Appl. No.: **29/312,105**

(22) Filed: **Sep. 29, 2008**

(30) **Foreign Application Priority Data**

May 10, 2008 (CN) 2008 3 0127133

(51) **LOC (9) Cl.** **13-03**

(52) **U.S. Cl.** **D13/147**

(58) **Field of Classification Search** D13/133,
D13/146-147, 154, 184, 199; 439/79, 108,
439/374, 607-610, 676, 677, 680
See application file for complete search history.

(56) **References Cited**

U.S. PATENT DOCUMENTS

D517,488 S * 3/2006 Riku D13/147
D529,444 S * 10/2006 Kudo D13/147

D542,736 S * 5/2007 Riku D13/147
D556,140 S * 11/2007 Sakamoto D13/147
2009/0149043 A1 * 6/2009 Zhang 439/78

* cited by examiner

Primary Examiner—Daniel D Bui

(74) *Attorney, Agent, or Firm*—Wei Te Chung; Andrew C. Cheng; Ming Chieh Chang

(57) **CLAIM**

The ornamental design for an electrical connector, as shown and described.

DESCRIPTION

FIG. 1 is a front, top and right side perspective view of an electrical connector showing our new design;

FIG. 2 is a front elevational view thereof;

FIG. 3 is a rear elevational view thereof;

FIG. 4 is a left side elevational view thereof;

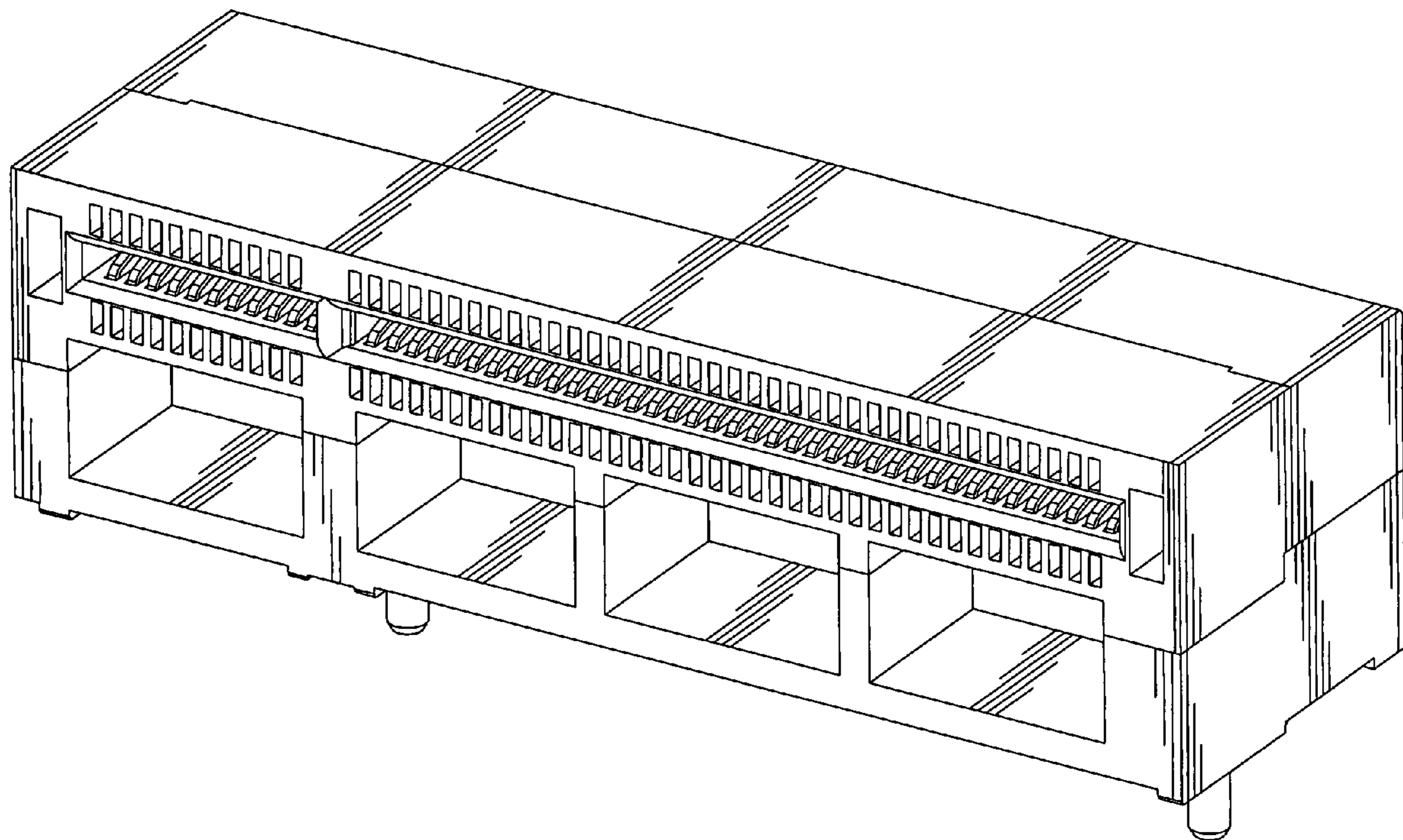
FIG. 5 is a right side elevational view thereof;

FIG. 6 is a top plan view thereof; and,

FIG. 7 is a bottom plan view thereof.

The broken line portion of the figure drawings is included to show unclaimed subject matter only and forms no part of the claimed design.

1 Claim, 7 Drawing Sheets



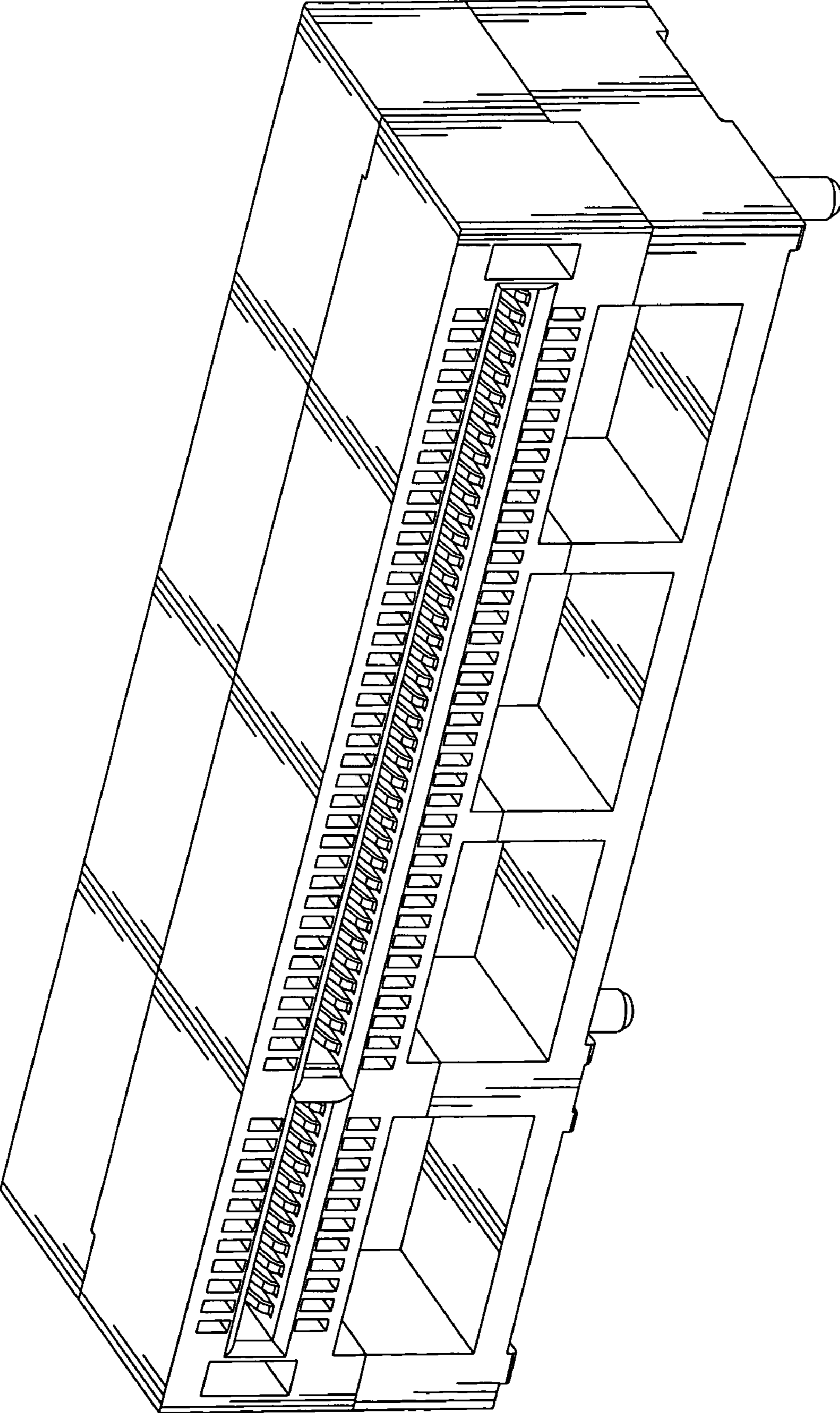


FIG. 1

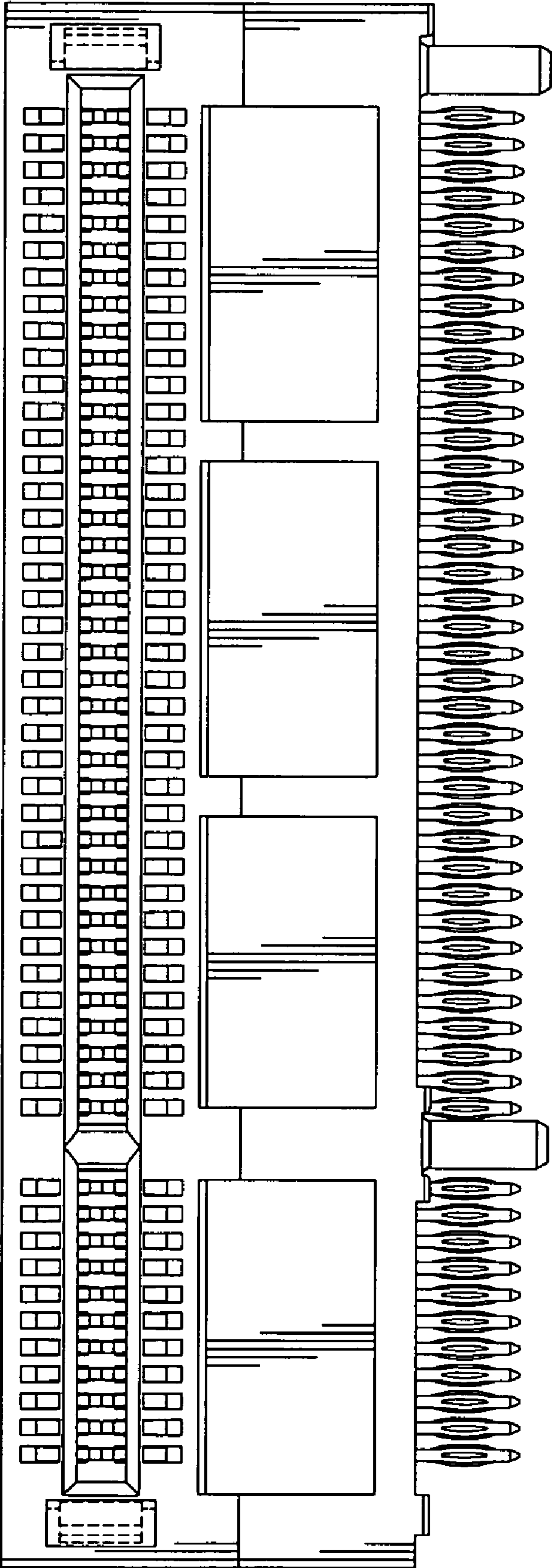


FIG. 2

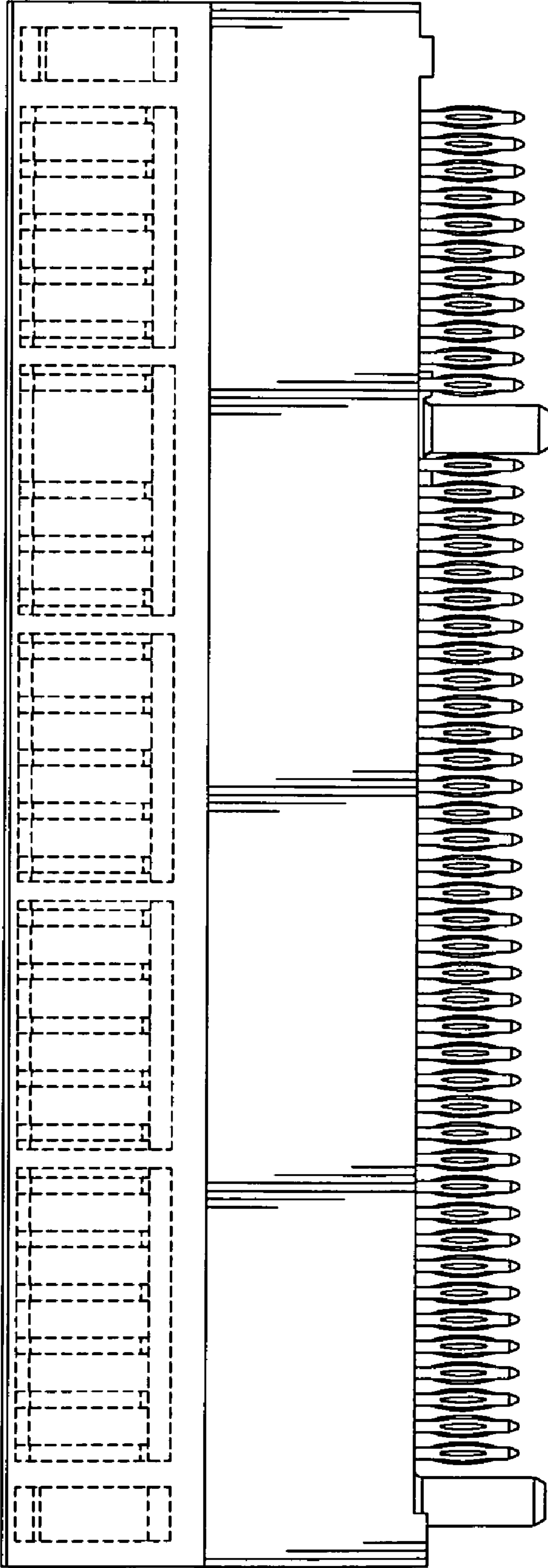


FIG. 3

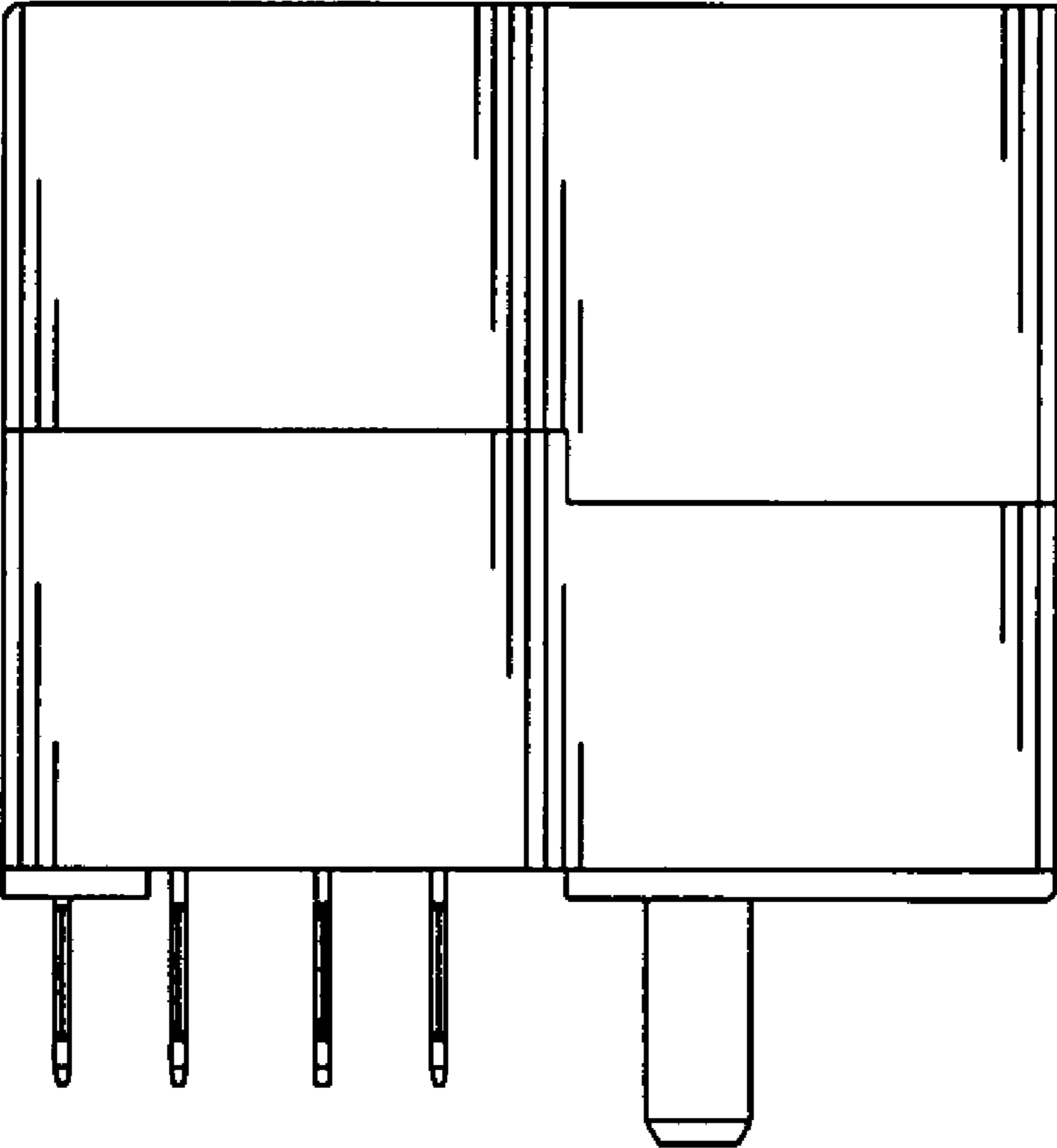


FIG. 4

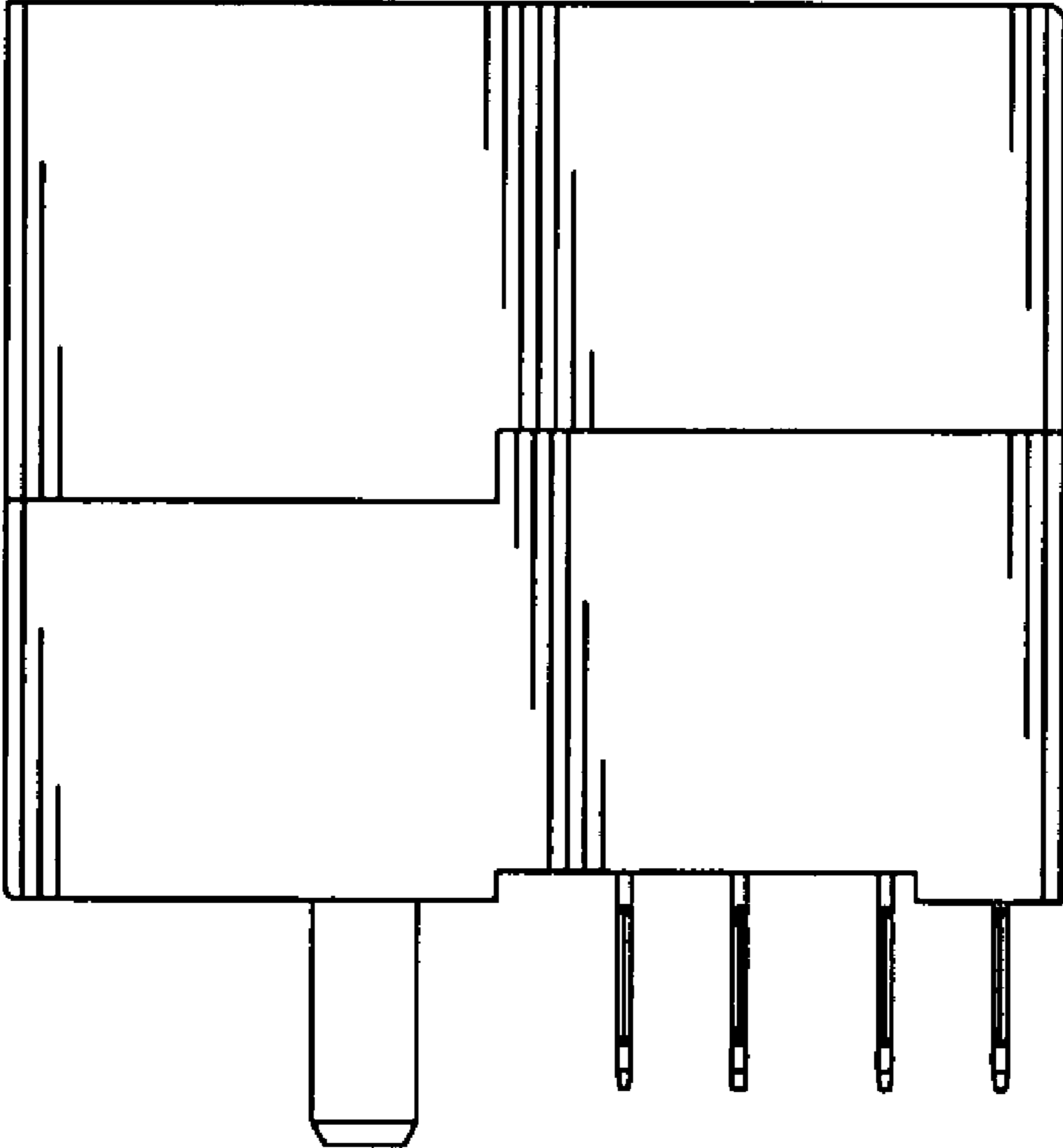


FIG. 5

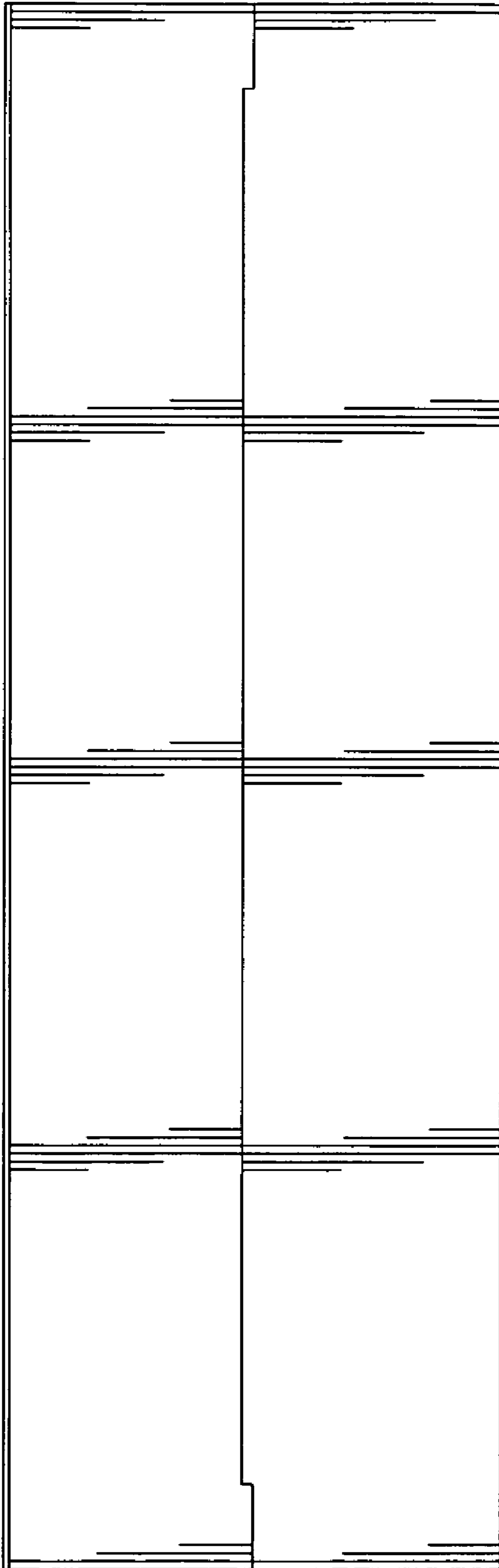


FIG. 6

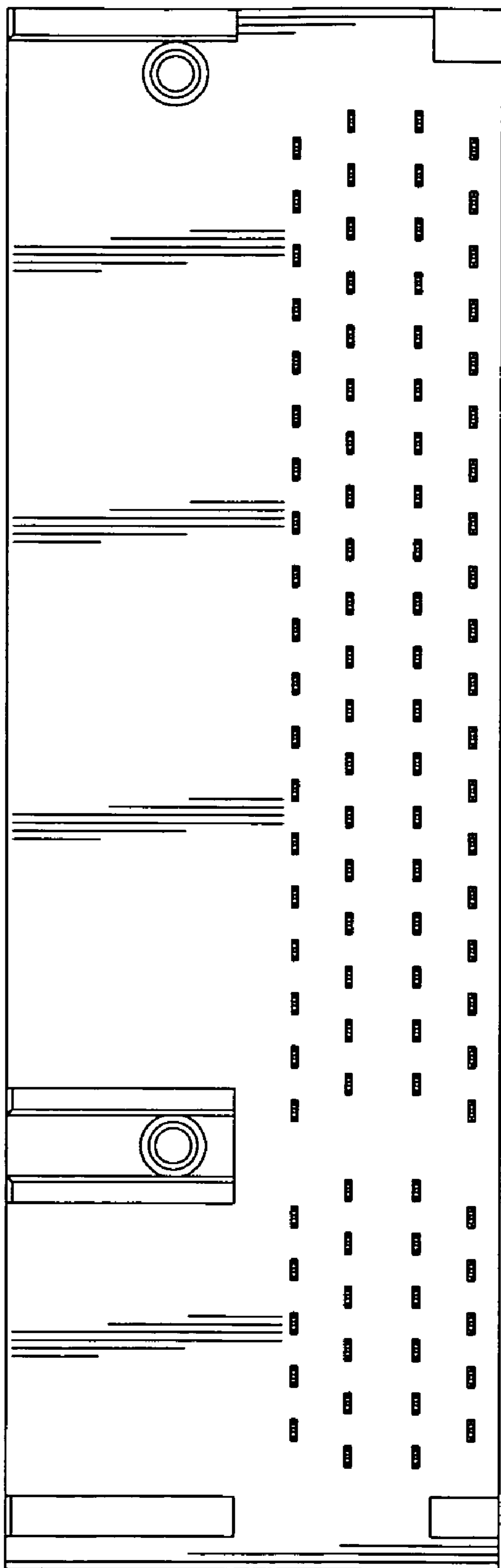


FIG. 7