



US00D602867S

(12) **United States Design Patent**
Miyaji et al.

(10) **Patent No.:** **US D602,867 S**
(45) **Date of Patent:** **** Oct. 27, 2009**

(54) **VOLTAGE REGULATOR OF AC GENERATOR FOR VEHICLE**

2008/0238225 A1* 10/2008 Oohashi 310/71

FOREIGN PATENT DOCUMENTS

(75) Inventors: **Wakaki Miyaji**, Tokyo (JP); **Kenji Nakao**, Tokyo (JP); **Atsushi Oohashi**, Tokyo (JP)

JP 2002-142423 A 5/2002

* cited by examiner

(73) Assignee: **Mitsubishi Electric Corporation**, Tokyo (JP)

Primary Examiner—Daniel D Bui
Assistant Examiner—Thomas J Johannes
(74) *Attorney, Agent, or Firm*—Sughrue Mion, PLLC

(**) Term: **14 Years**

(57) **CLAIM**

(21) Appl. No.: **29/287,509**

The ornamental design for a voltage regulator of AC generator for vehicle, as shown and described.

(22) Filed: **Aug. 16, 2007**

(30) **Foreign Application Priority Data**

DESCRIPTION

Mar. 26, 2007 (JP) 2007-007560

FIG. 1 is a front, top and right side perspective view of a voltage regulator of AC generator for vehicle, showing our new design;

(51) **LOC (9) Cl.** **13-03**

FIG. 2 is a front elevational view thereof;

(52) **U.S. Cl.** **D13/124**

FIG. 3 is a rear elevational view thereof;

(58) **Field of Classification Search** D13/110–114,
D13/122–126, 133; 290/36 R, 38 R, 55;
310/10, 4 R, 40.5–45, 66, 89, 231–238
See application file for complete search history.

FIG. 4 is a top plan view thereof;

FIG. 5 is a bottom plan view thereof;

FIG. 6 is a left side elevational view thereof; and,

FIG. 7 is a right side elevational view thereof.

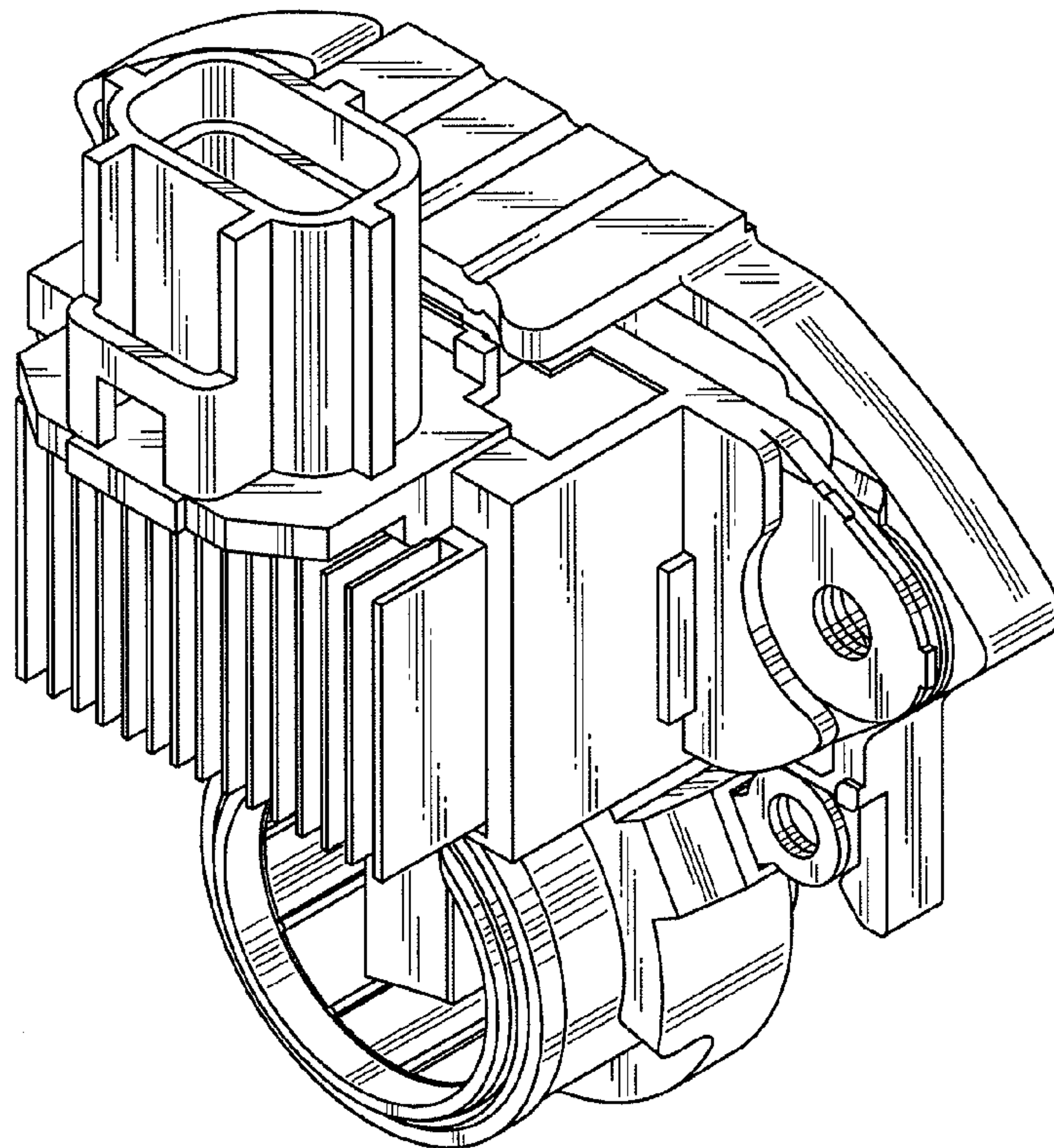
(56) **References Cited**

The broken line portions of the figure drawings are included to show unclaimed subject matter only and form no part of the claimed design.

U.S. PATENT DOCUMENTS

D314,175 S * 1/1991 Takeshita et al. D13/124
D360,186 S * 7/1995 Netz et al. D13/124
6,338,658 B1 * 1/2002 Sweeney 439/810
2008/0054639 A1 * 3/2008 Maier et al. 290/40 R

1 Claim, 4 Drawing Sheets



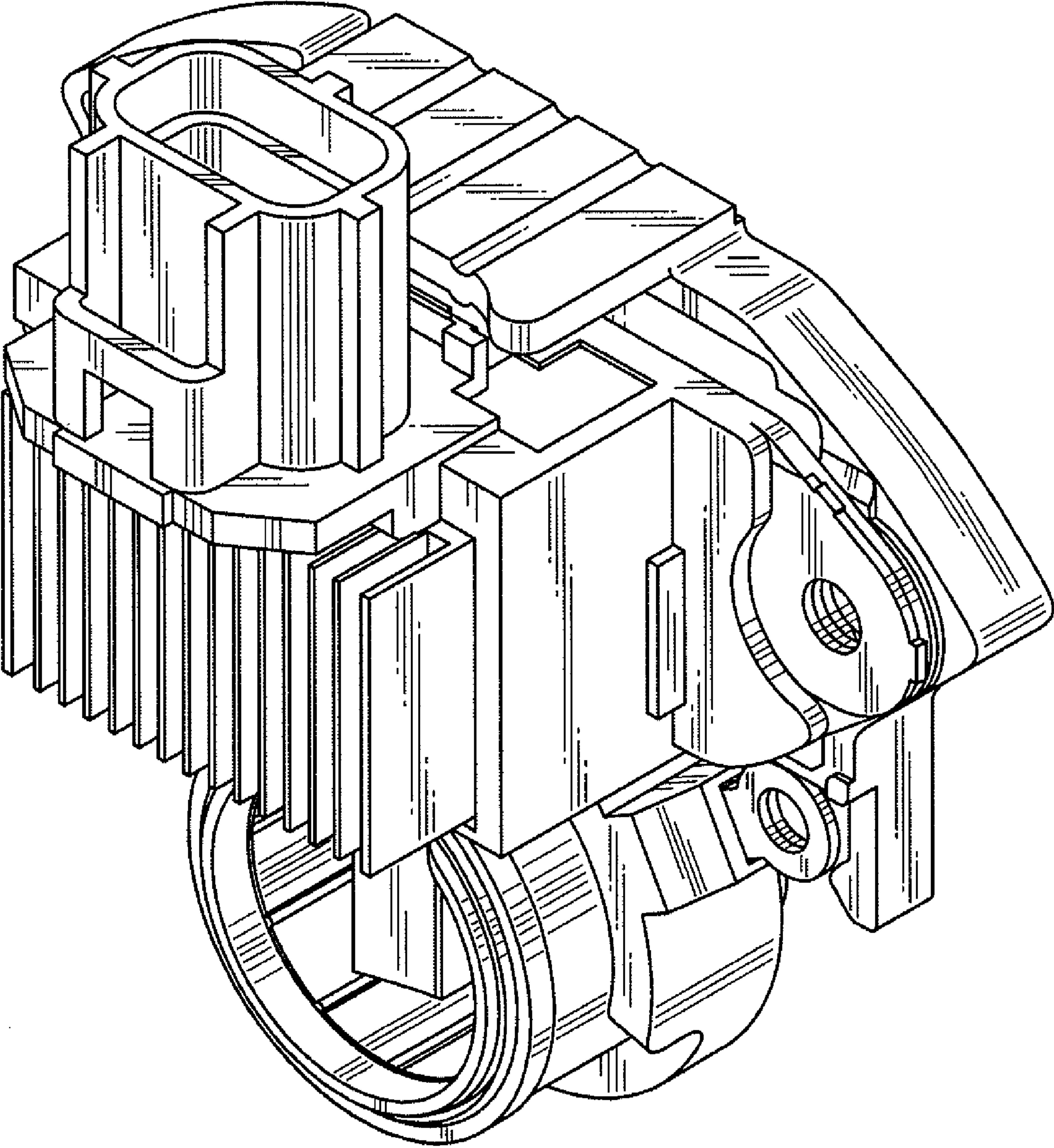


FIG. 1

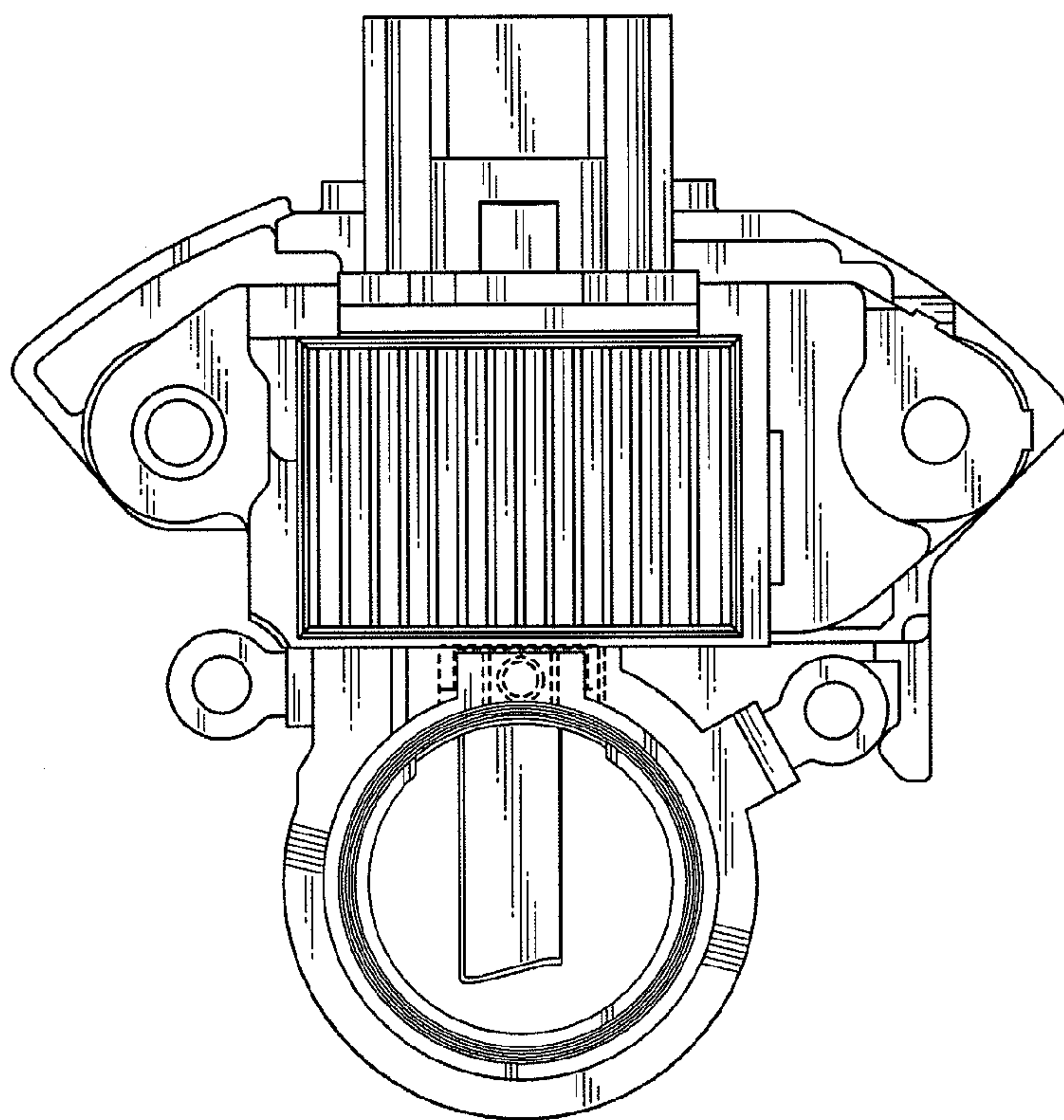


FIG. 2

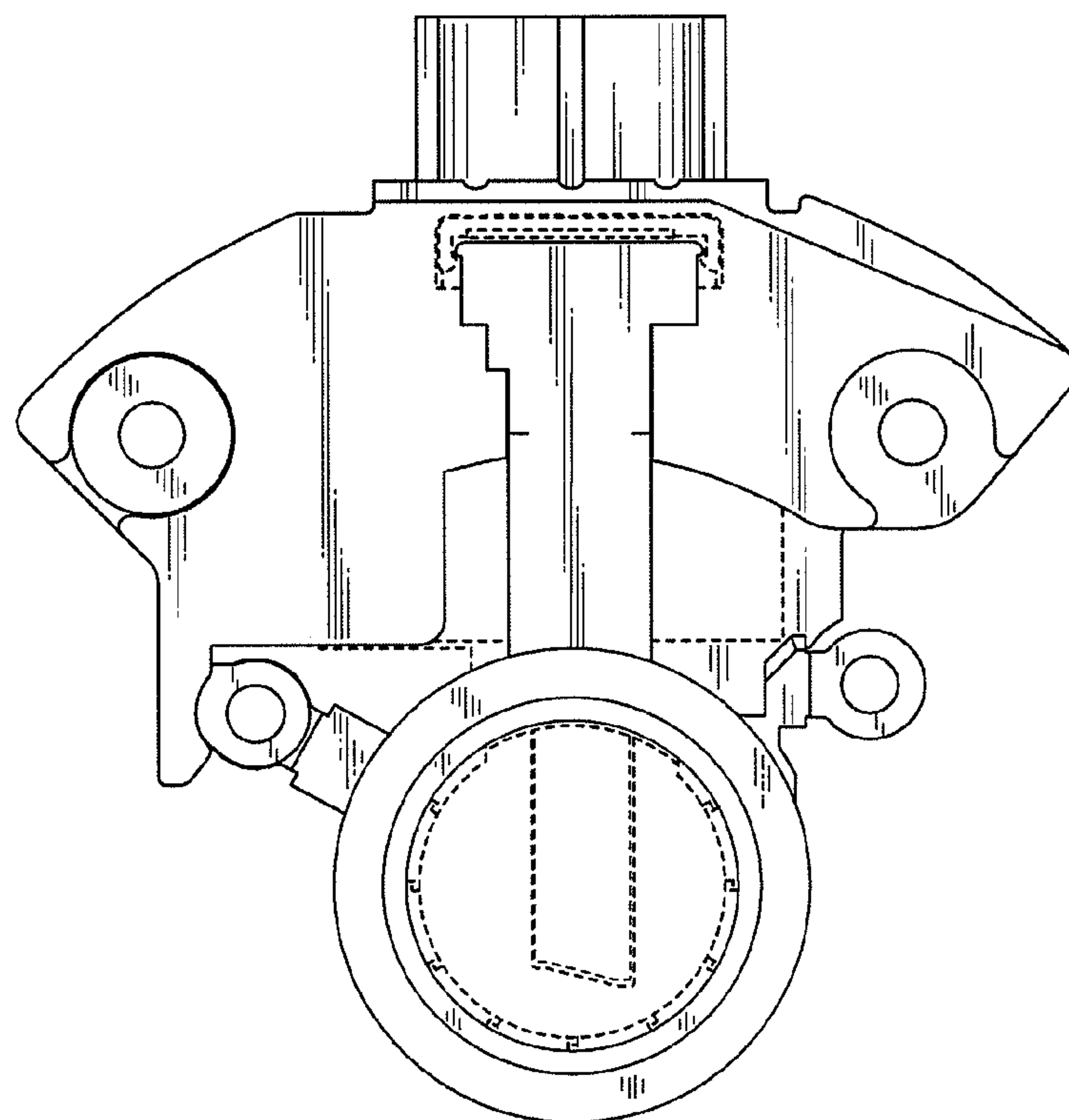


FIG. 3

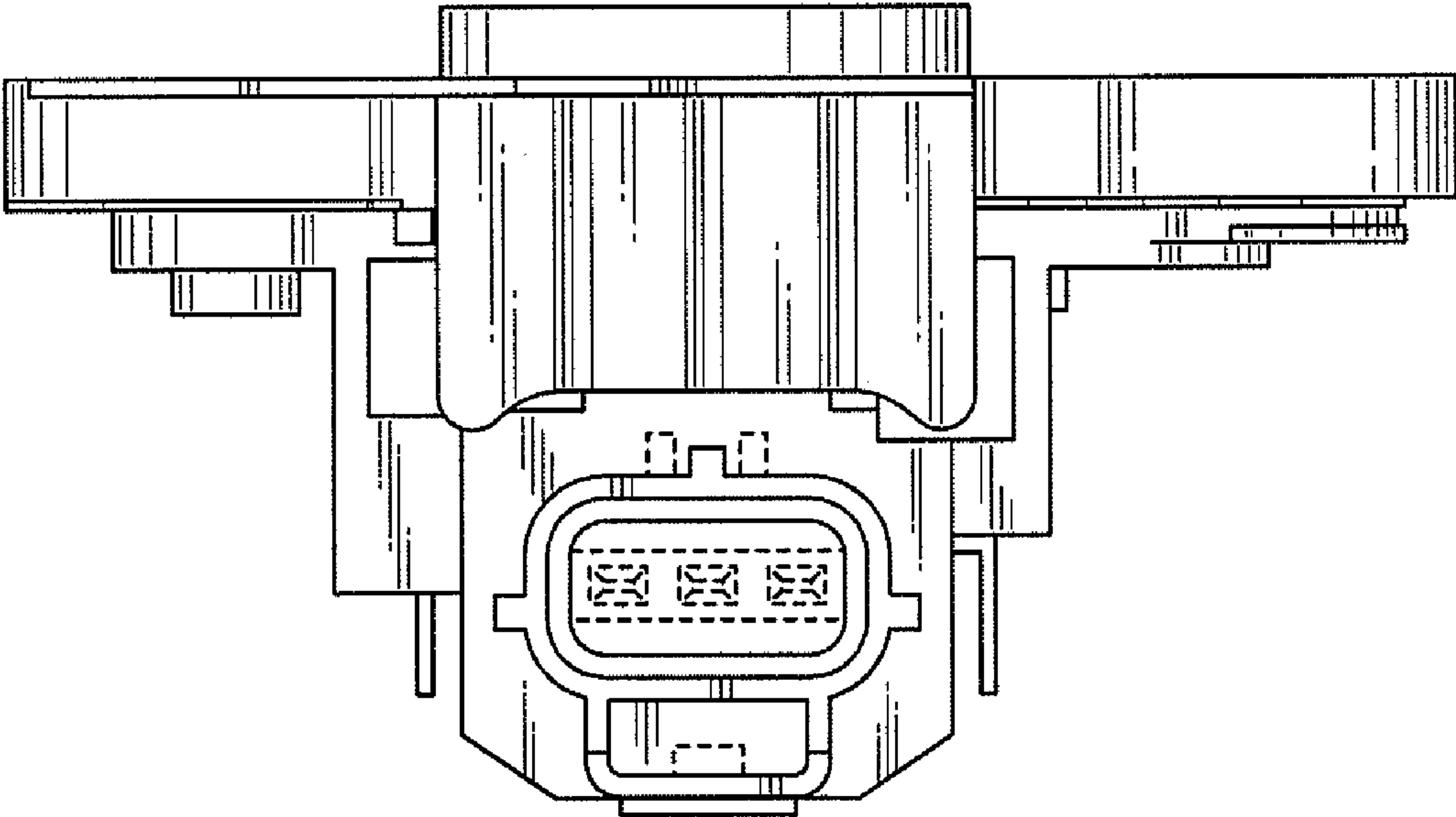


FIG. 4

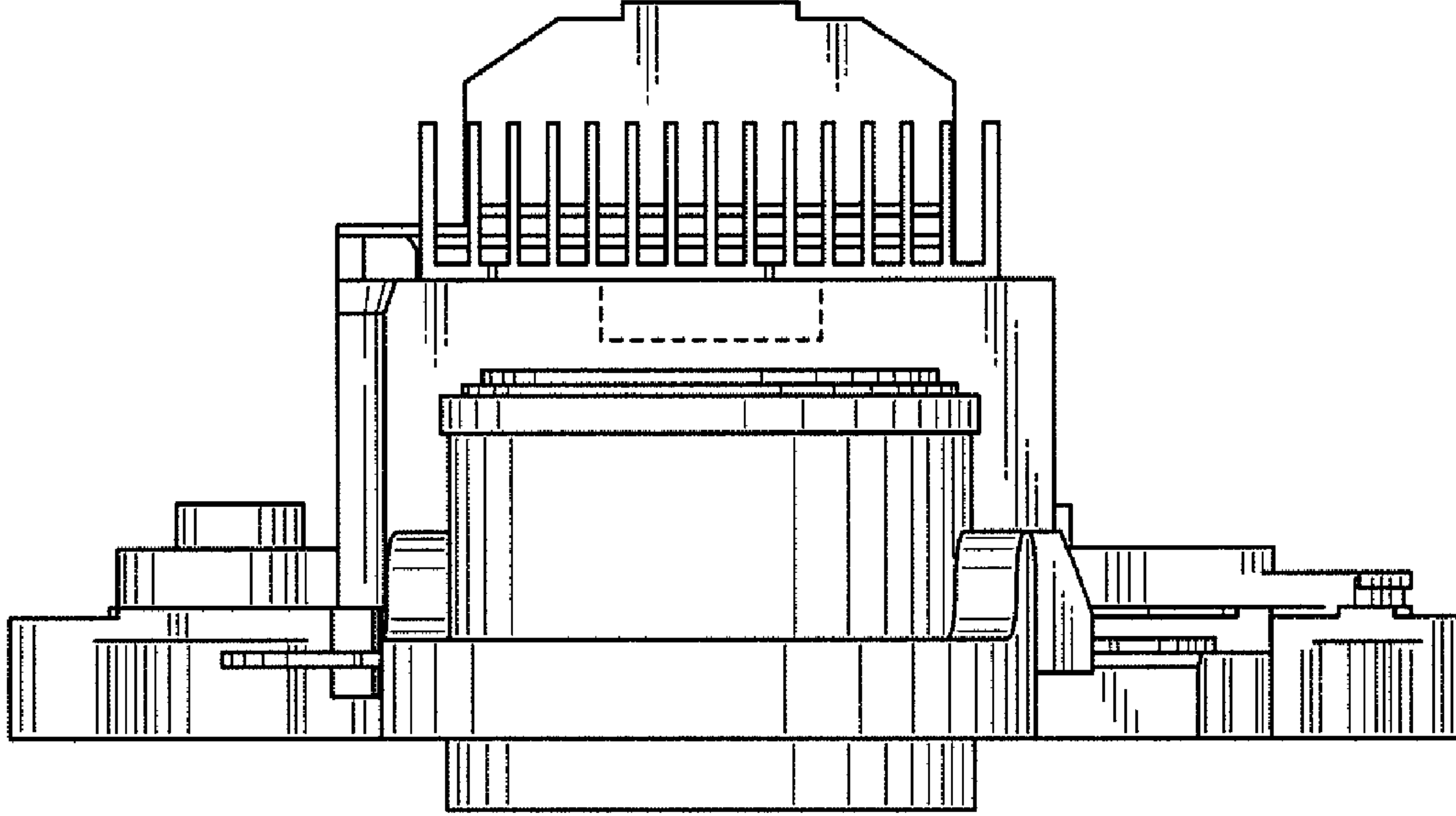


FIG. 5

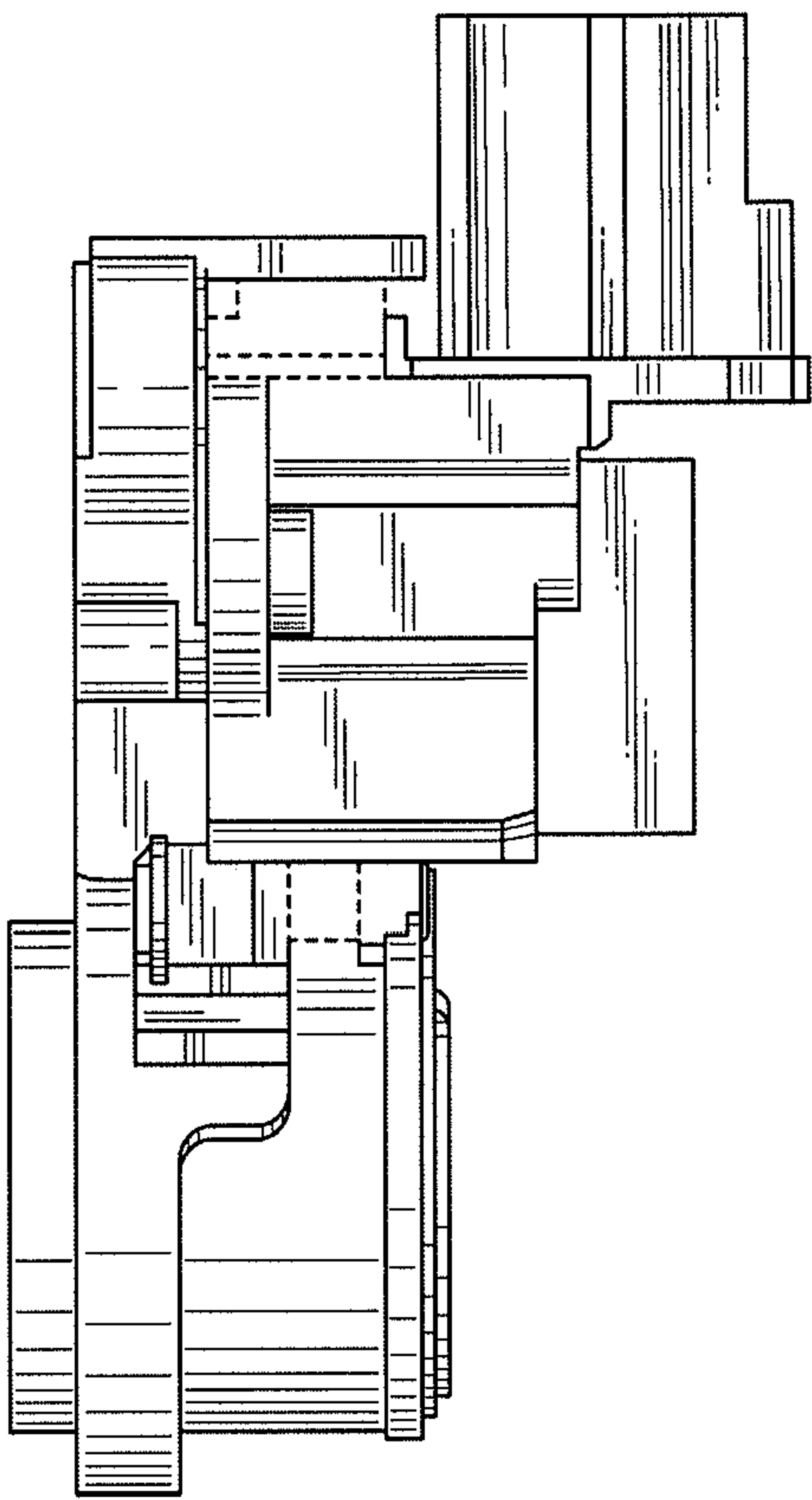


FIG. 6

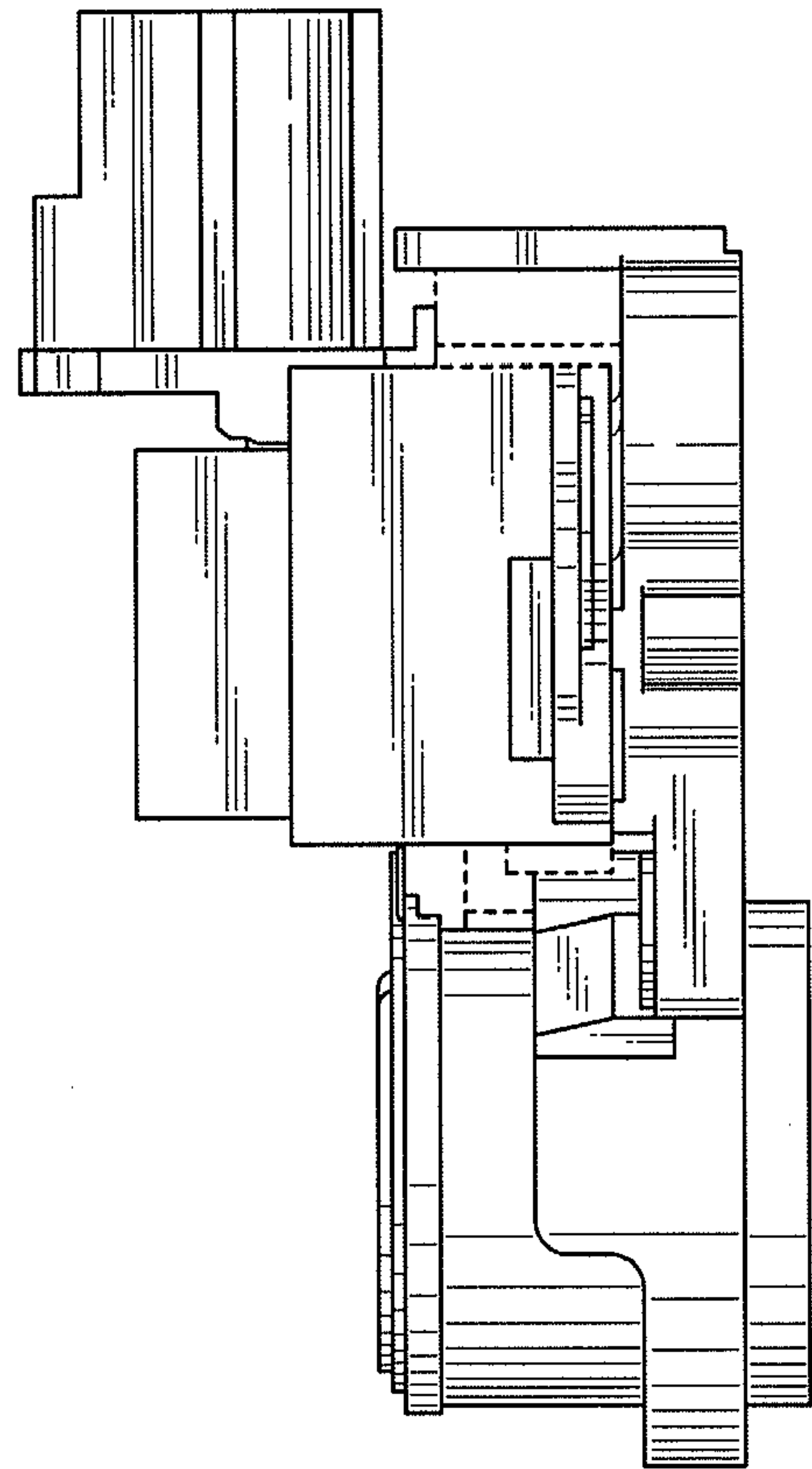


FIG. 7