



US00D602866S

(12) **United States Design Patent**
Harada

(10) **Patent No.:** **US D602,866 S**

(45) **Date of Patent:** **** Oct. 27, 2009**

(54) **ENERGIZING COIL FOR DRIVING A MOTOR DRIVEN VALVE**

D463,364 S * 9/2002 Arens D13/117

* cited by examiner

(75) Inventor: **Takao Harada**, Tokyo (JP)

Primary Examiner—Prabhakar Deshmukh

Assistant Examiner—Derrick Holland

(73) Assignee: **Fujikoki Corporation**, Tokyo (JP)

(74) *Attorney, Agent, or Firm*—Westerman, Hattori, Daniels & Adrian, LLP

(**) Term: **14 Years**

(21) Appl. No.: **29/330,136**

(57) **CLAIM**

(22) Filed: **Dec. 30, 2008**

The ornamental design for an energizing coil for driving a motor driven valve, as shown and described.

(51) **LOC (9) Cl.** **13-01**

(52) **U.S. Cl.** **D13/122**

(58) **Field of Classification Search** D13/122,
D13/101, 112, 113, 117, 199; D15/5; 123/621,
123/623, 635, 647, 650; 307/10.6, 91, 105;
335/81, 90, 118, 136, 148, 241, 250, 299;
336/77, 82, 177-179

See application file for complete search history.

DESCRIPTION

FIG. 1 is a right-front perspective view of an energizing coil for driving a motor driven valve showing my new design;

FIG. 2 is a right-rear perspective view thereof;

FIG. 3 is a front, elevation view thereof;

FIG. 4 is a rear, elevation view thereof;

FIG. 5 is a top, plan view thereof;

FIG. 6 is a bottom view thereof;

FIG. 7 is a right-side, elevation view thereof; and,

FIG. 8 is a left-side, elevation view thereof.

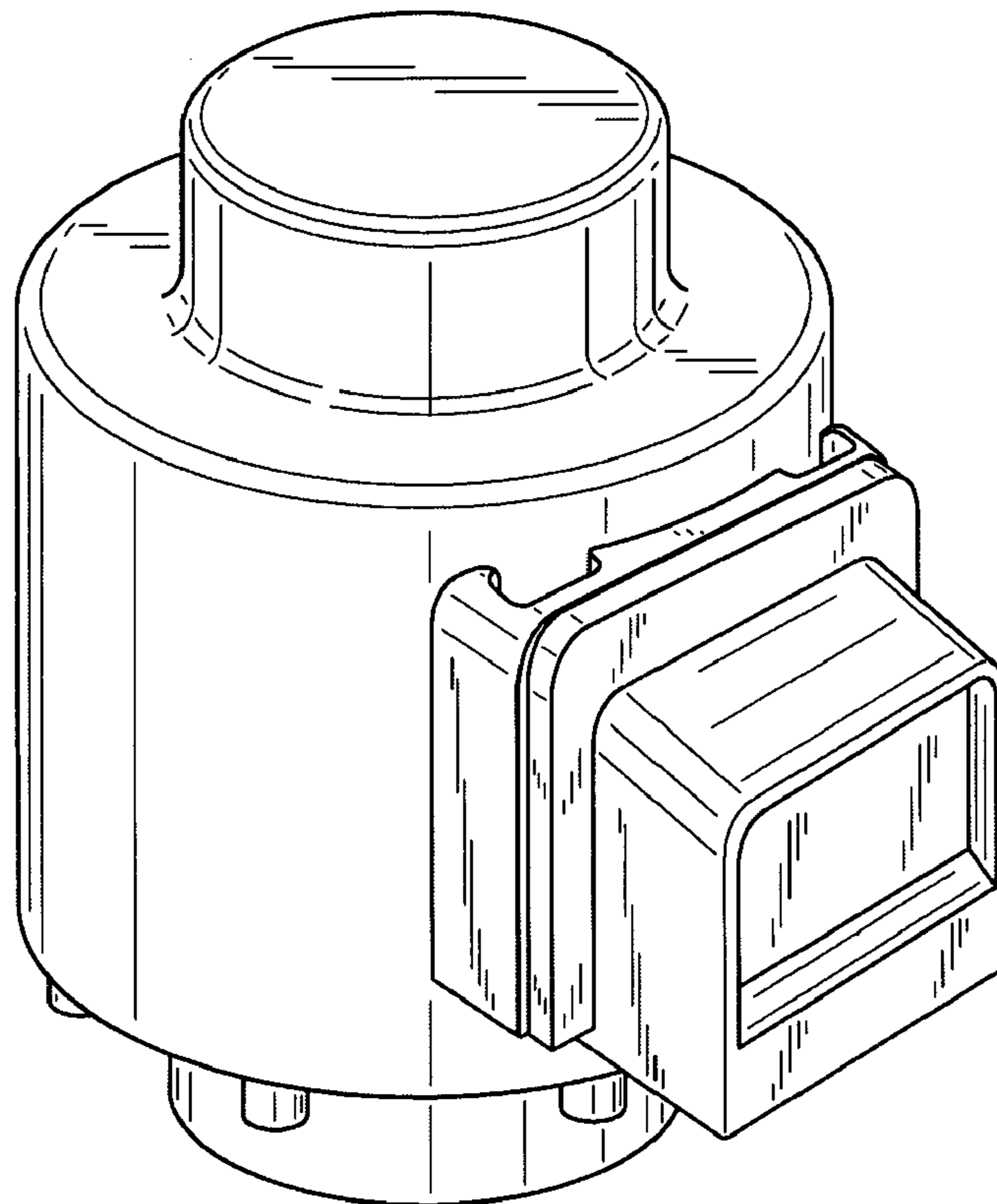
The broken lines in the drawings illustrate environmental structure and form no part of the claimed design.

(56) **References Cited**

U.S. PATENT DOCUMENTS

- 3,048,704 A * 8/1962 Estes 307/10.6
- D395,658 S * 6/1998 Arens D15/5
- D397,992 S * 9/1998 Shimomura et al. D13/112
- D409,564 S * 5/1999 Koshida D13/112
- D424,516 S * 5/2000 Friedrichsen D13/112
- 6,328,025 B1 * 12/2001 Marrs 123/621

1 Claim, 4 Drawing Sheets



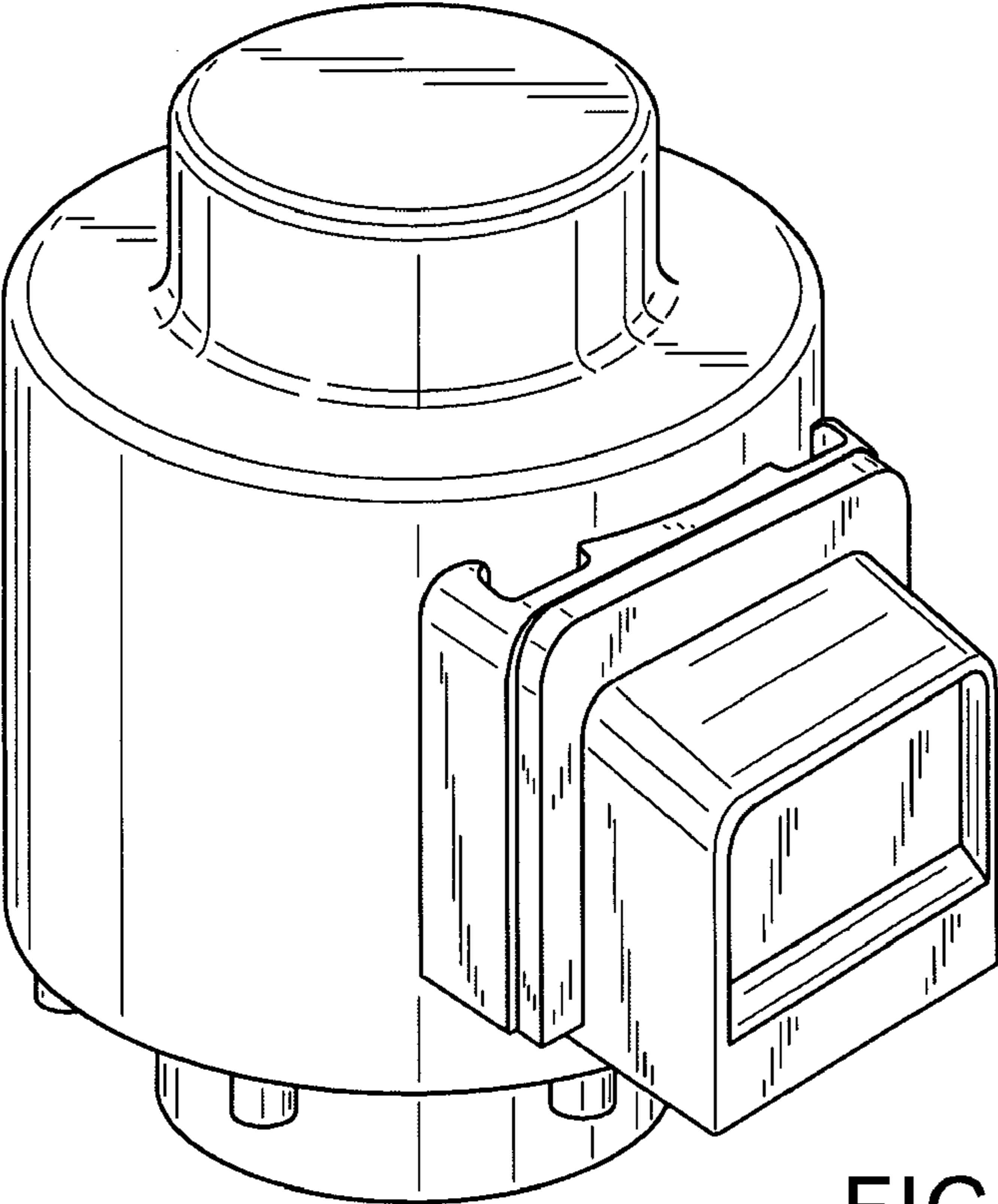


FIG. 1

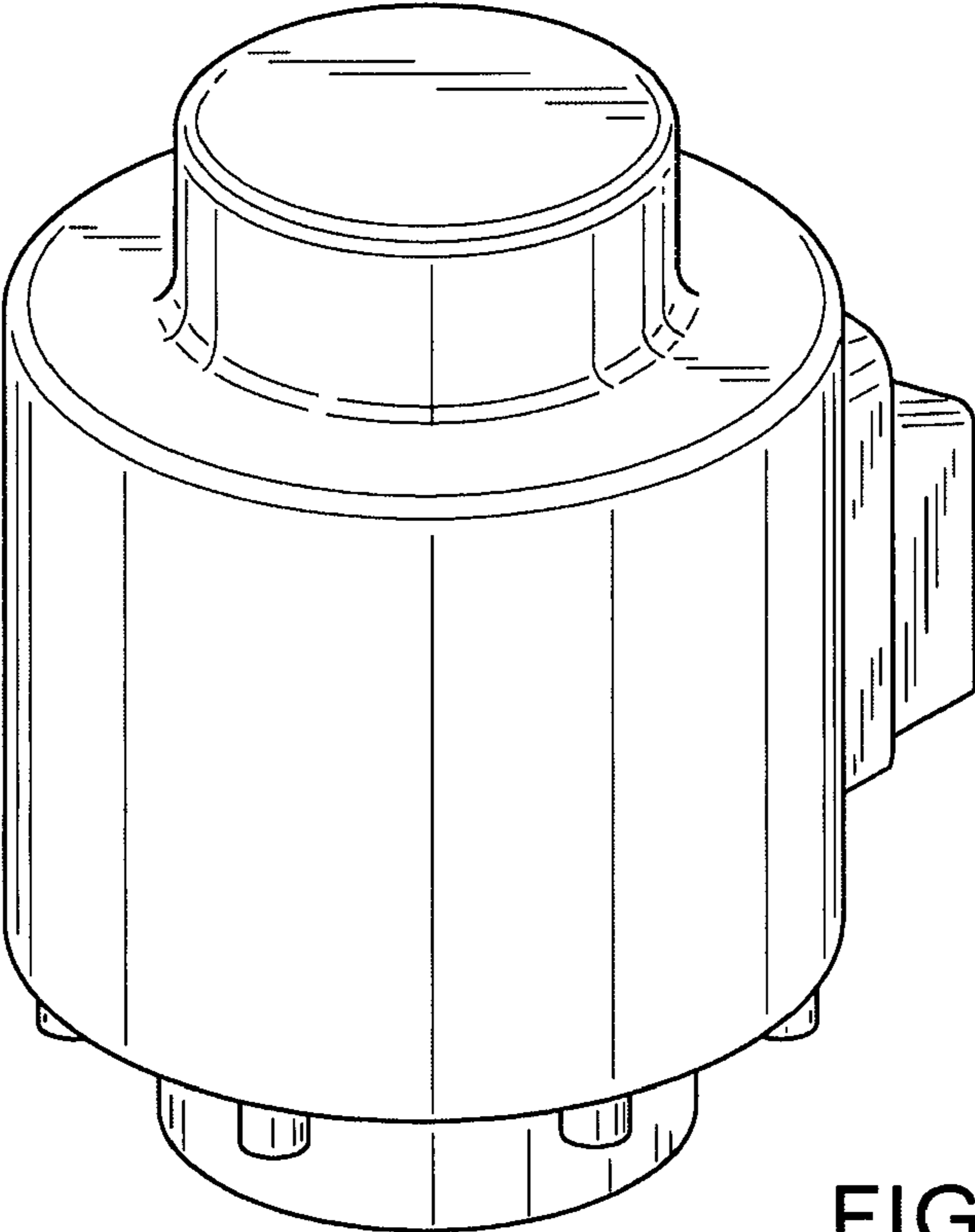


FIG. 2

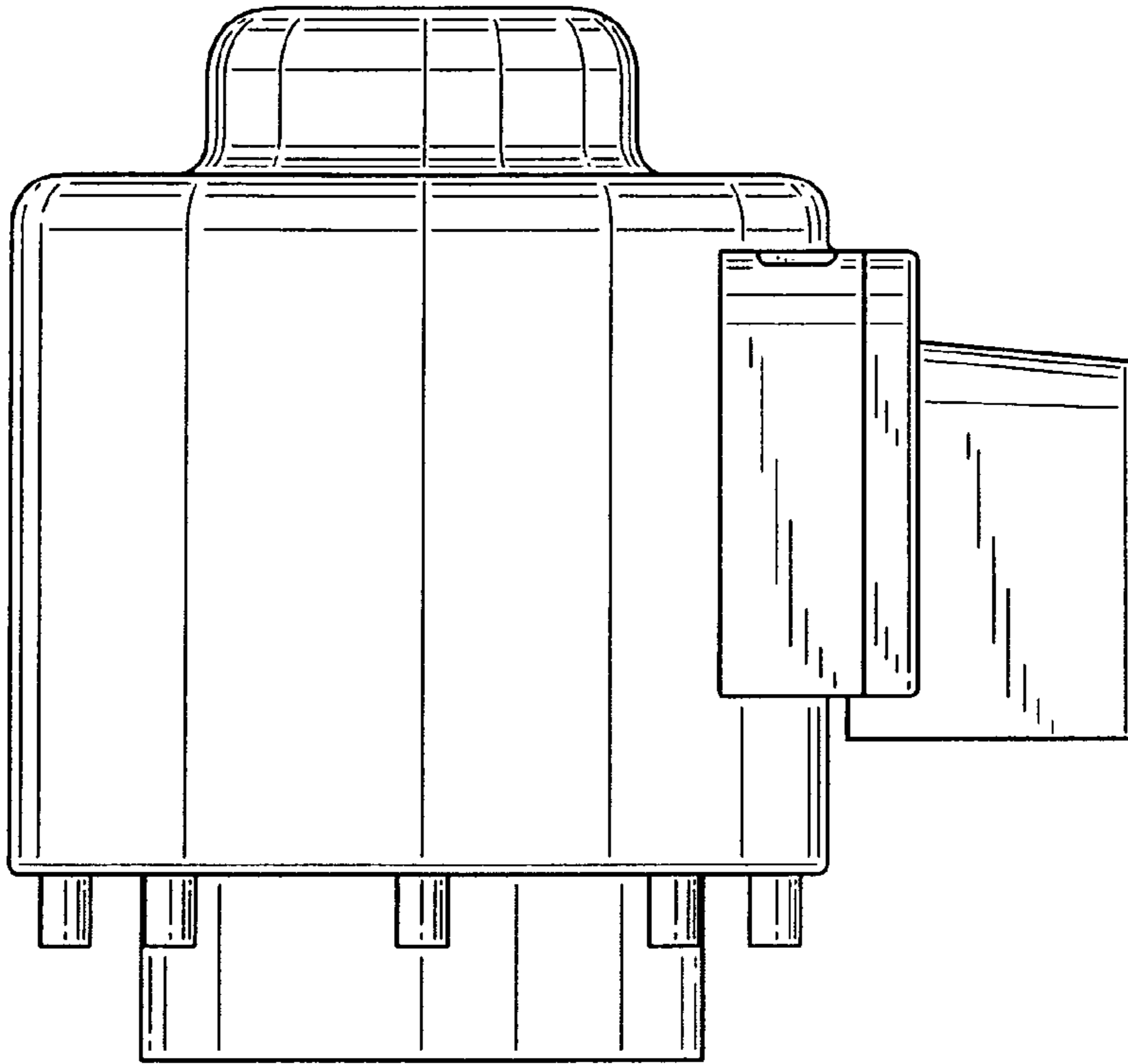


FIG. 3

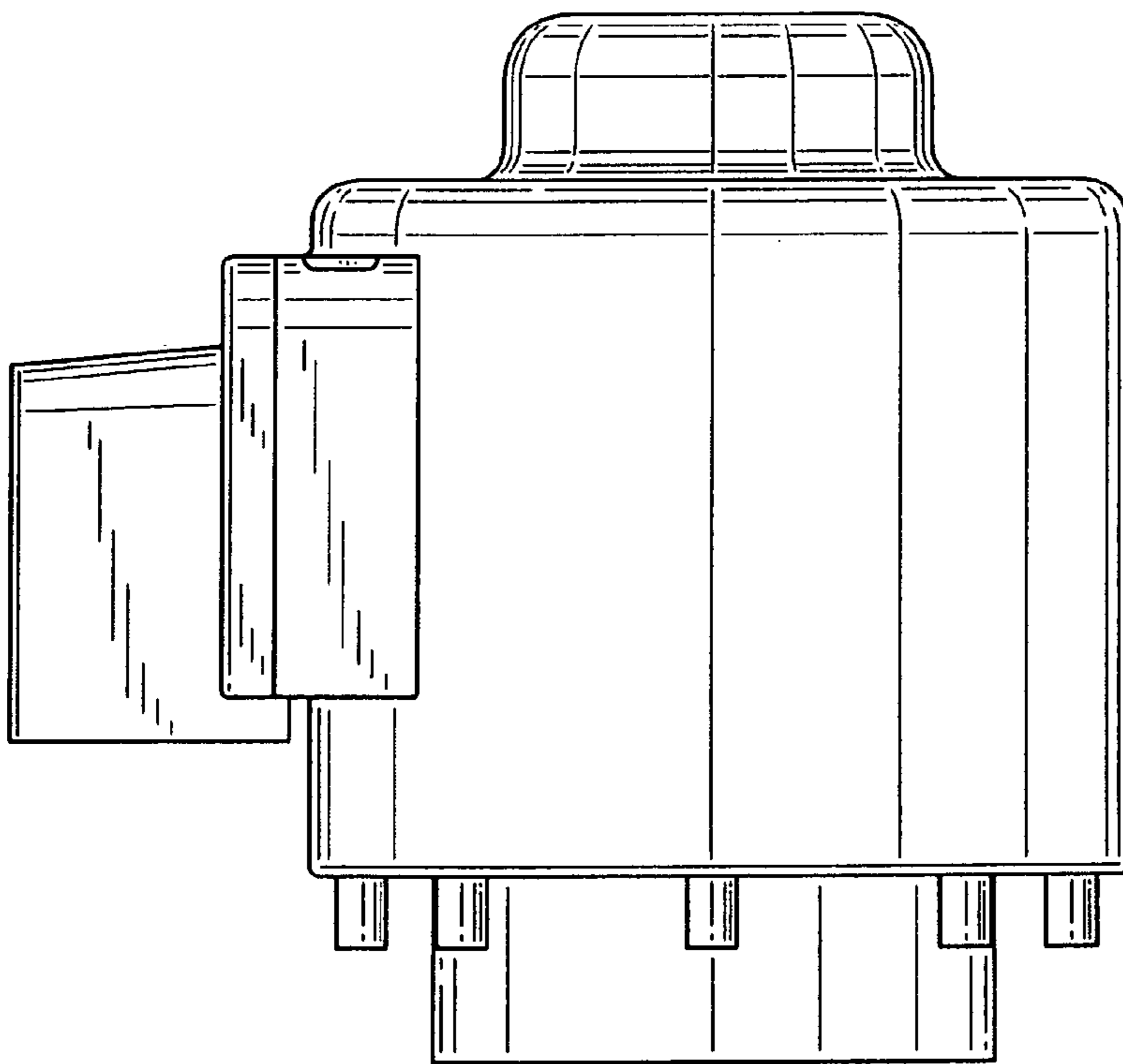


FIG. 4

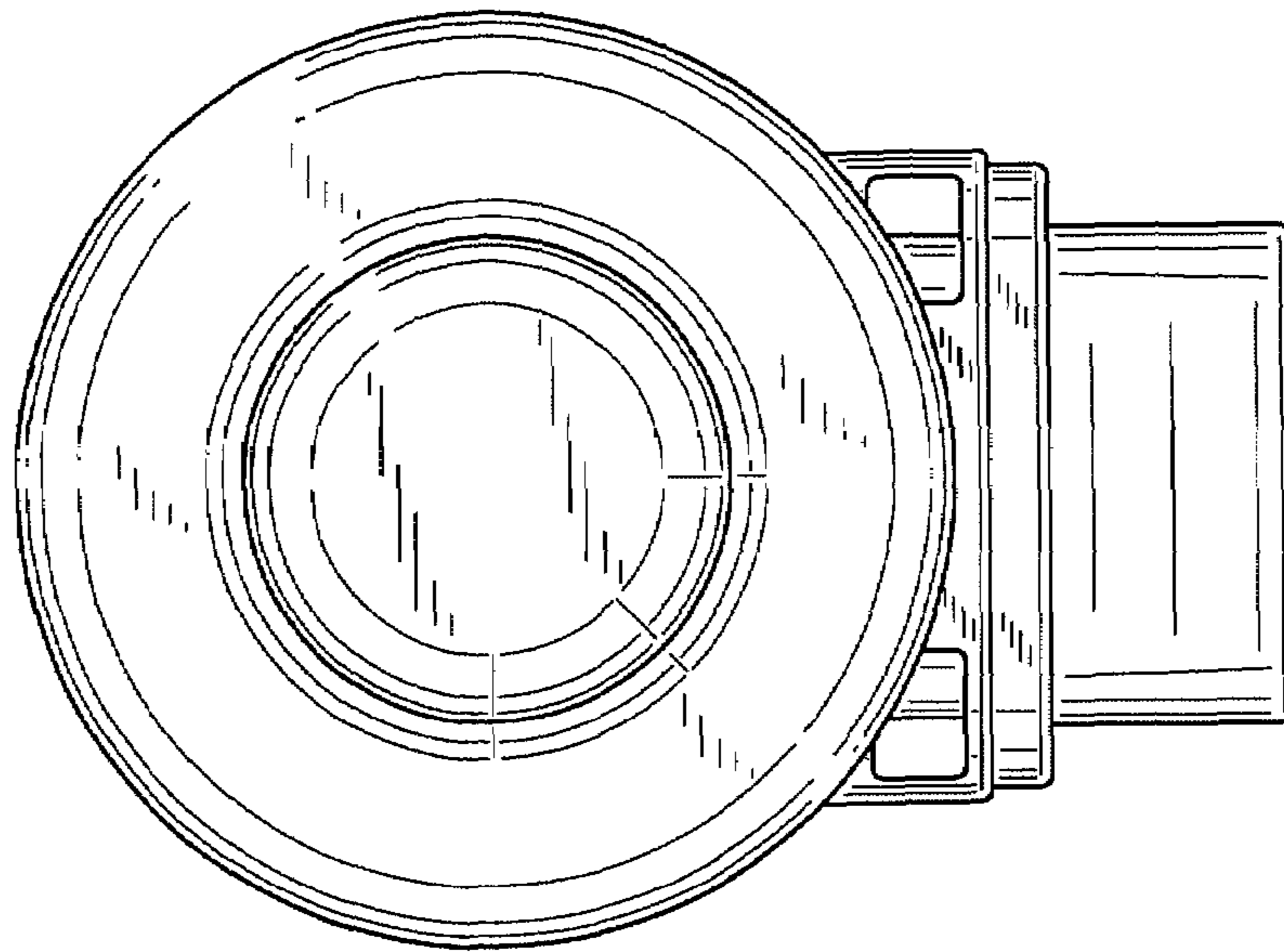


FIG. 5

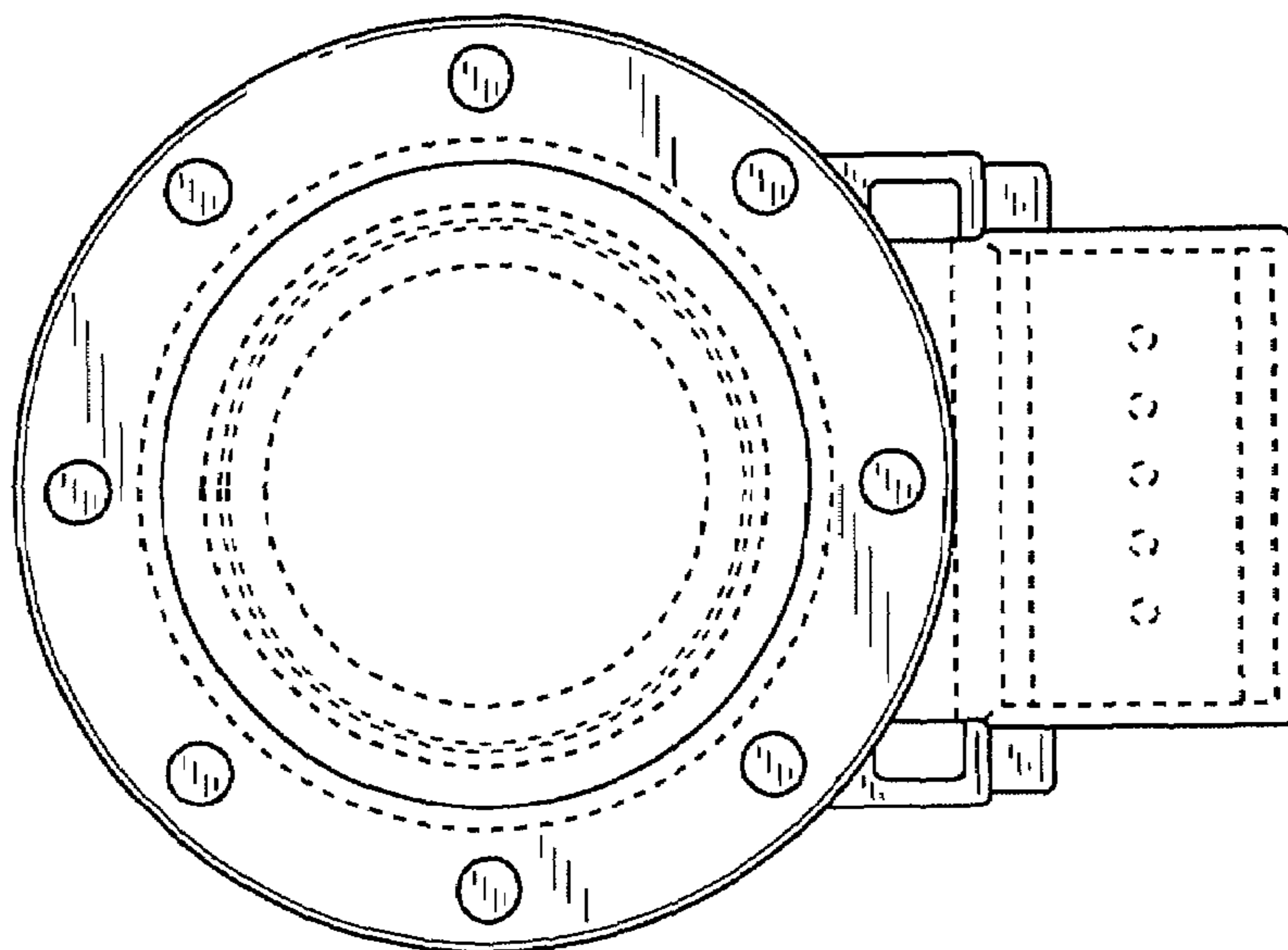


FIG. 6

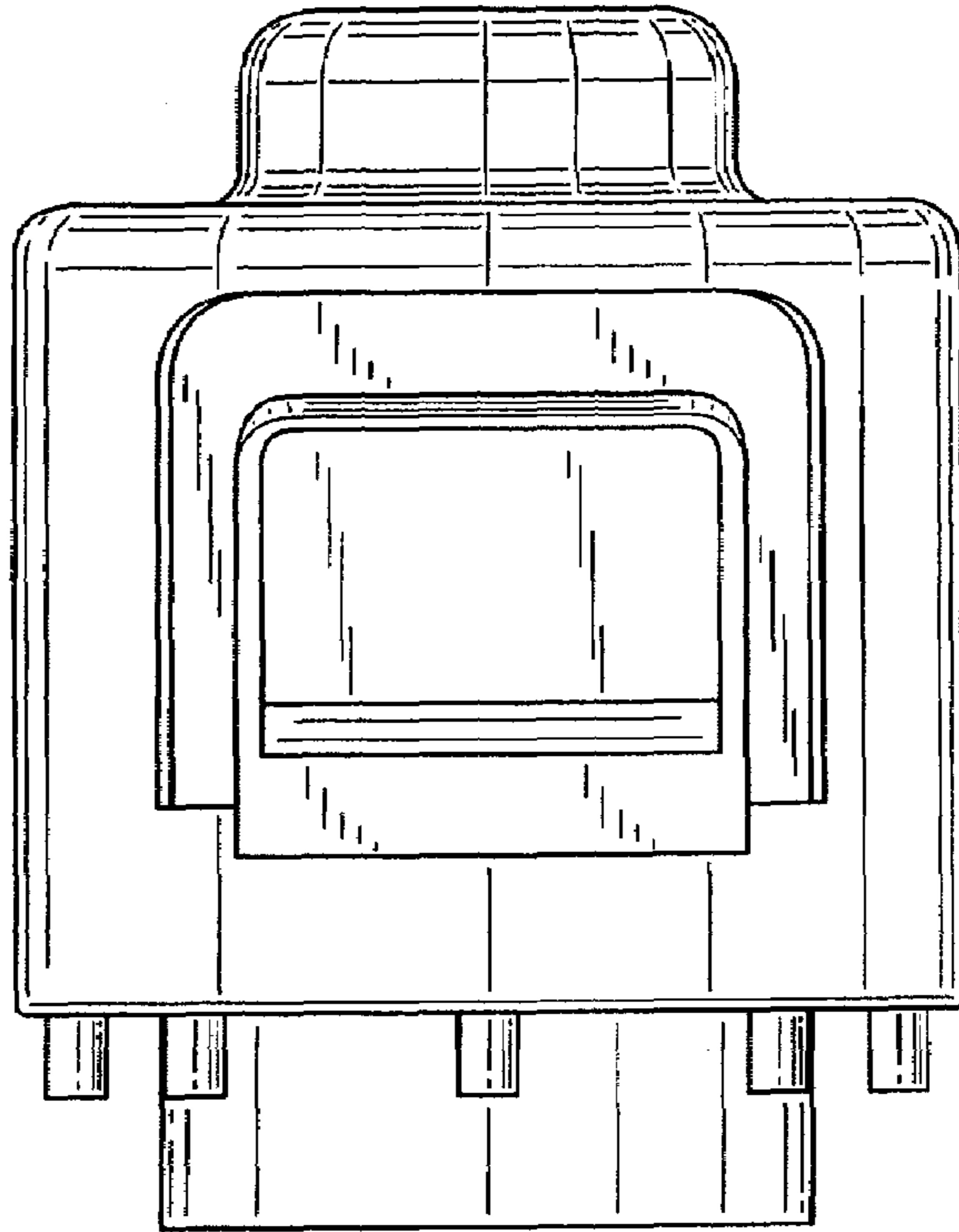


FIG. 7

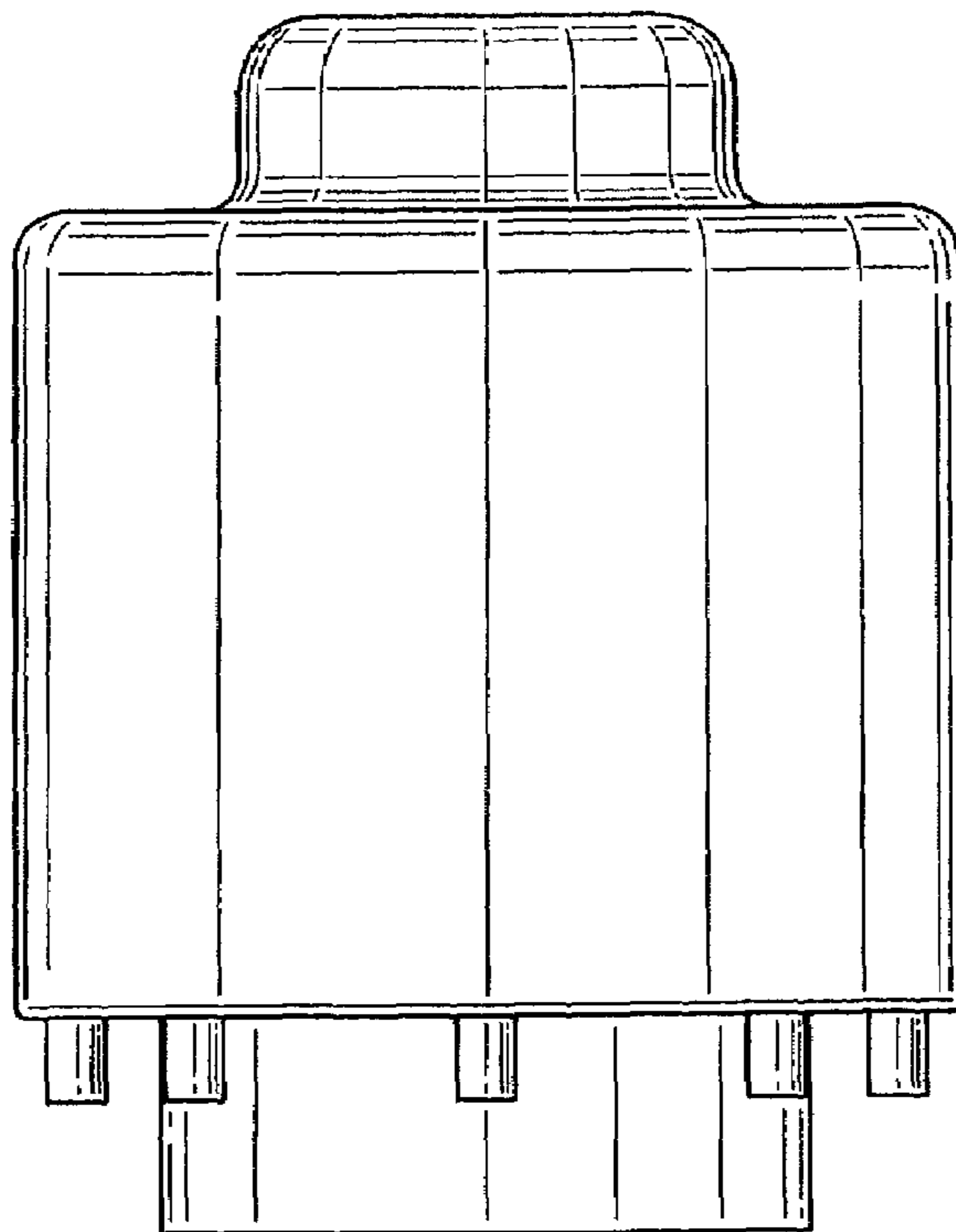


FIG. 8