



US00D602862S

(12) **United States Design Patent**  
**Reed et al.**

(10) **Patent No.:** **US D602,862 S**  
(45) **Date of Patent:** **\*\* Oct. 27, 2009**

(54) **VEHICLE BATTERY COVER**

(75) Inventors: **Camas Reed**, Columbus, OH (US);  
**Ryan J. Holoweiko**, Powell, OH (US)

(73) Assignee: **Honda Motor Co., Ltd.**, Tokyo (JP)

(\*\*) Term: **14 Years**

(21) Appl. No.: **29/281,558**

(22) Filed: **Jun. 26, 2007**

(51) **LOC (9) Cl.** ..... **13-02**

(52) **U.S. Cl.** ..... **D13/119**

(58) **Field of Classification Search** ..... D13/102–106,  
D13/110, 118–121, 184; D8/354–355, 394;  
429/96–100, 163, 176

See application file for complete search history.

(56) **References Cited**

**U.S. PATENT DOCUMENTS**

D56,676 S *	11/1920	Norris	.....	D13/121
D106,423 S *	10/1937	Brodeen	.....	D13/119
D179,165 S *	11/1956	Toce	.....	D13/119
D222,804 S *	1/1972	Delzer	.....	D13/119
D262,104 S *	12/1981	Simpson	.....	D13/119
D269,672 S *	7/1983	Seltzer et al.	.....	D13/119
D269,868 S *	7/1983	Seltzer et al.	.....	D13/119
D274,514 S *	7/1984	Thompson	.....	D13/119
4,508,794 A *	4/1985	Wright	.....	429/100

D310,658 S *	9/1990	Balek	.....	D13/119
D326,967 S *	6/1992	Bardelang	.....	D6/436
5,547,036 A *	8/1996	Gawaskar et al.	.....	180/68.5
D422,557 S *	4/2000	Grace	.....	D13/118

\* cited by examiner

*Primary Examiner*—Jennifer Rivard

*Assistant Examiner*—Rosemary K Tarcza

(74) *Attorney, Agent, or Firm*—Plumsea Law Group, LLC;  
Mark E. Duell

(57) **CLAIM**

The ornamental design for a vehicle battery cover, as shown and described.

**DESCRIPTION**

FIG. 1 is a frontal perspective view of a vehicle battery cover showing our new design;

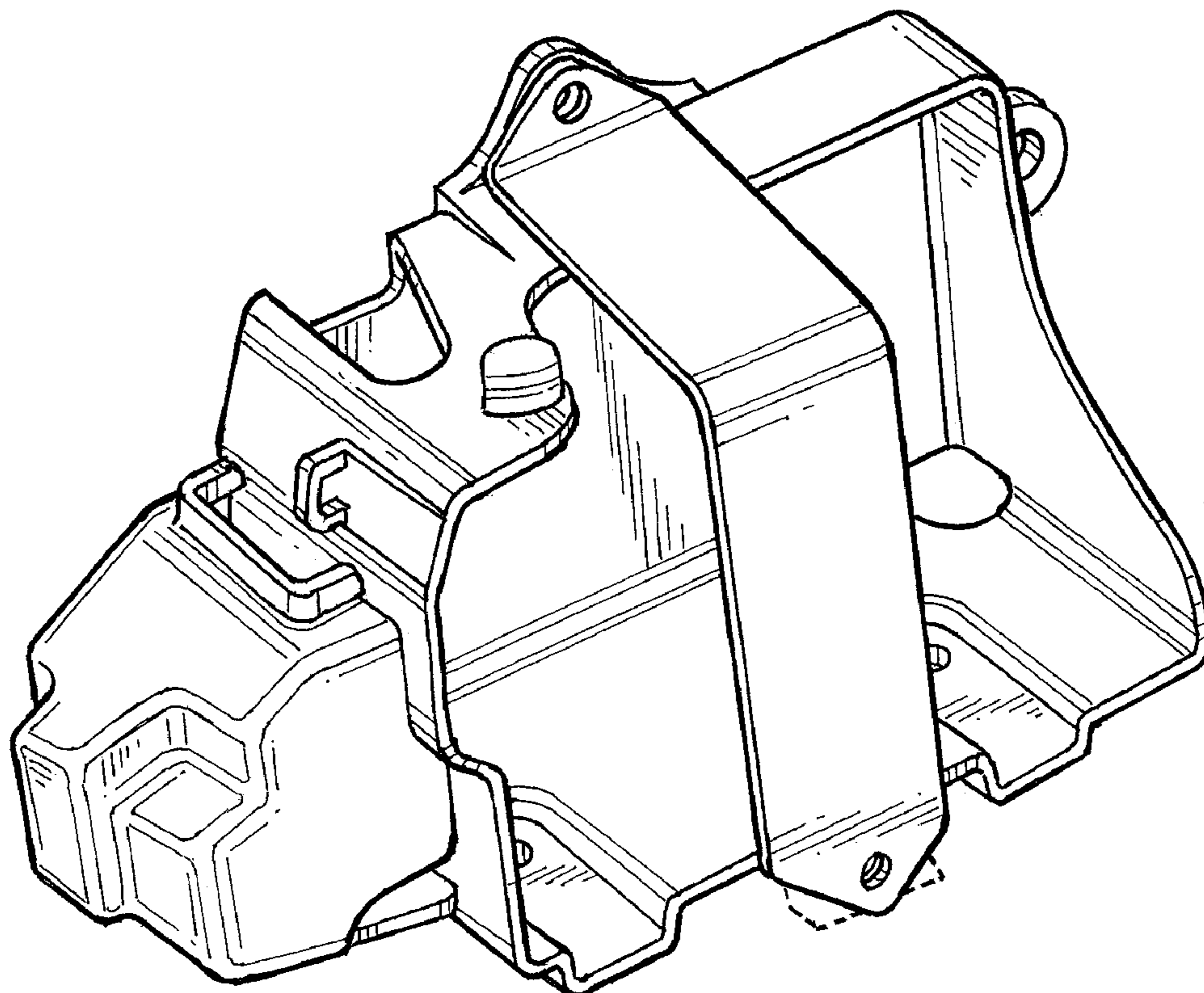
FIG. 2 is a rear perspective view thereof;

FIG. 3 is a side elevational view thereof; and,

FIG. 4 is a rear perspective view shown on an exemplary portion of an all terrain vehicle.

The broken line showings of the surrounding structure in FIGS. 1–4 and the remainder of the all terrain vehicle in FIG. 4 are for purposes of illustrating environmental structure and form no part of the claimed design.

**1 Claim, 3 Drawing Sheets**



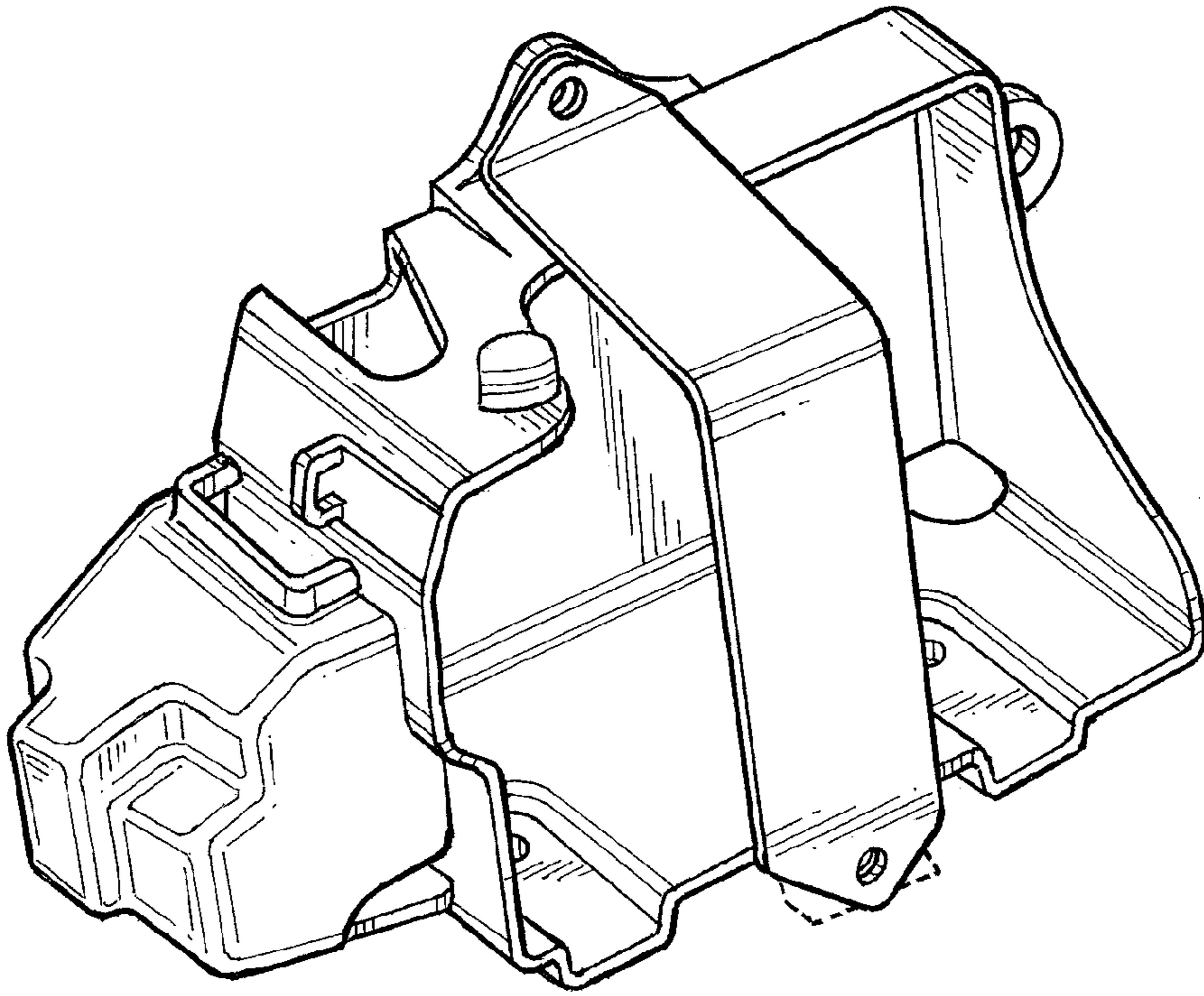


FIG. 1

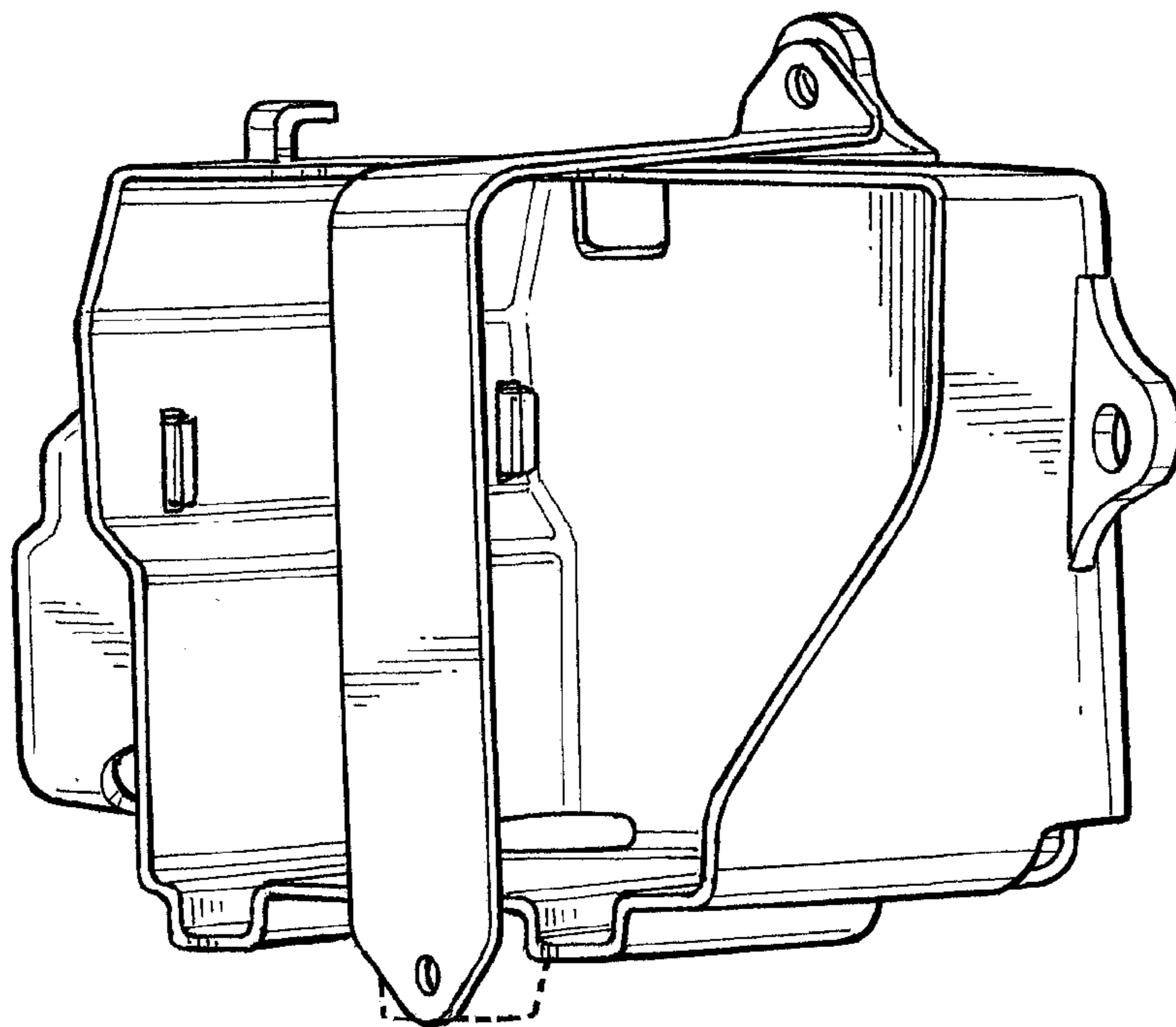


FIG. 2

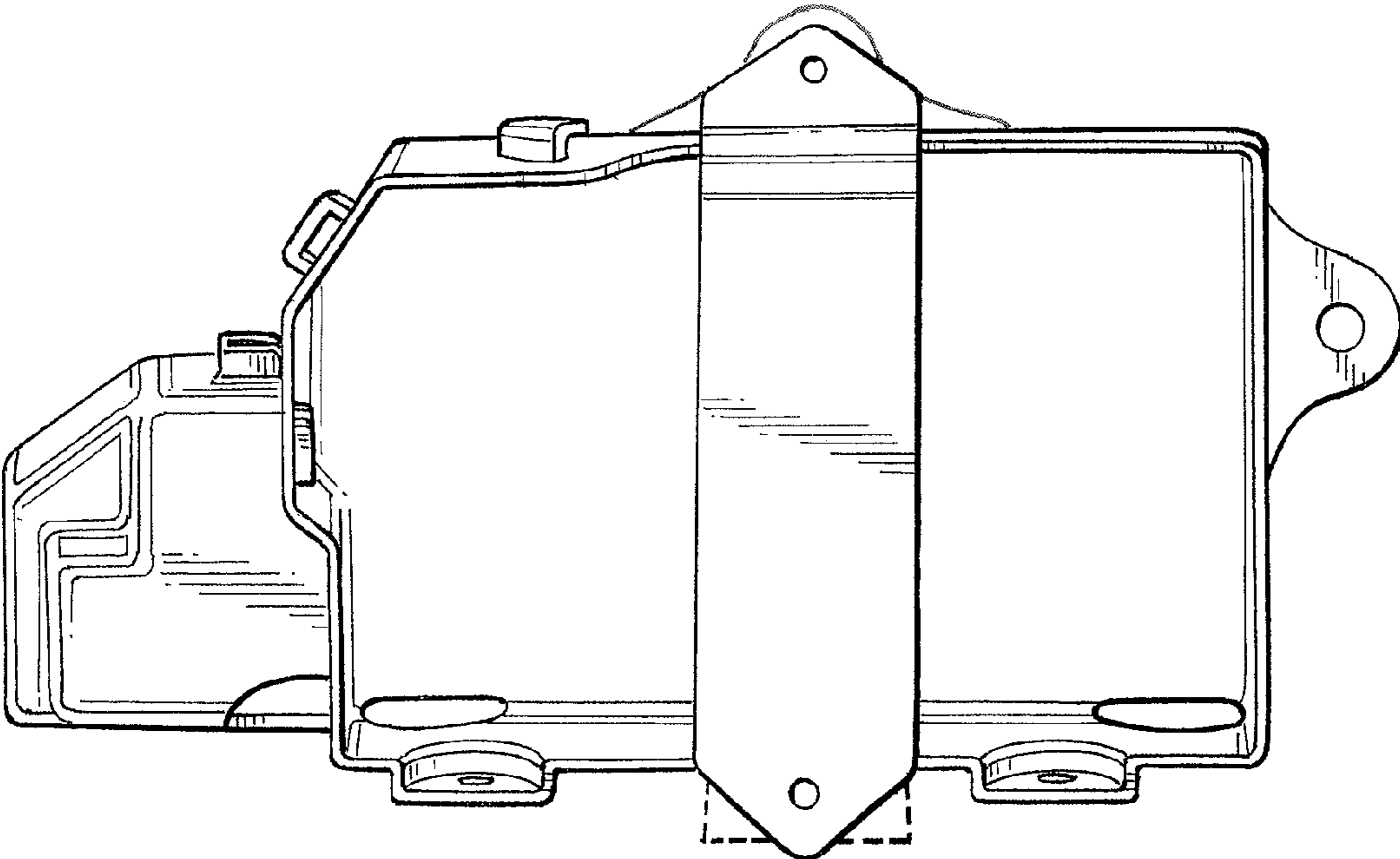


FIG. 3

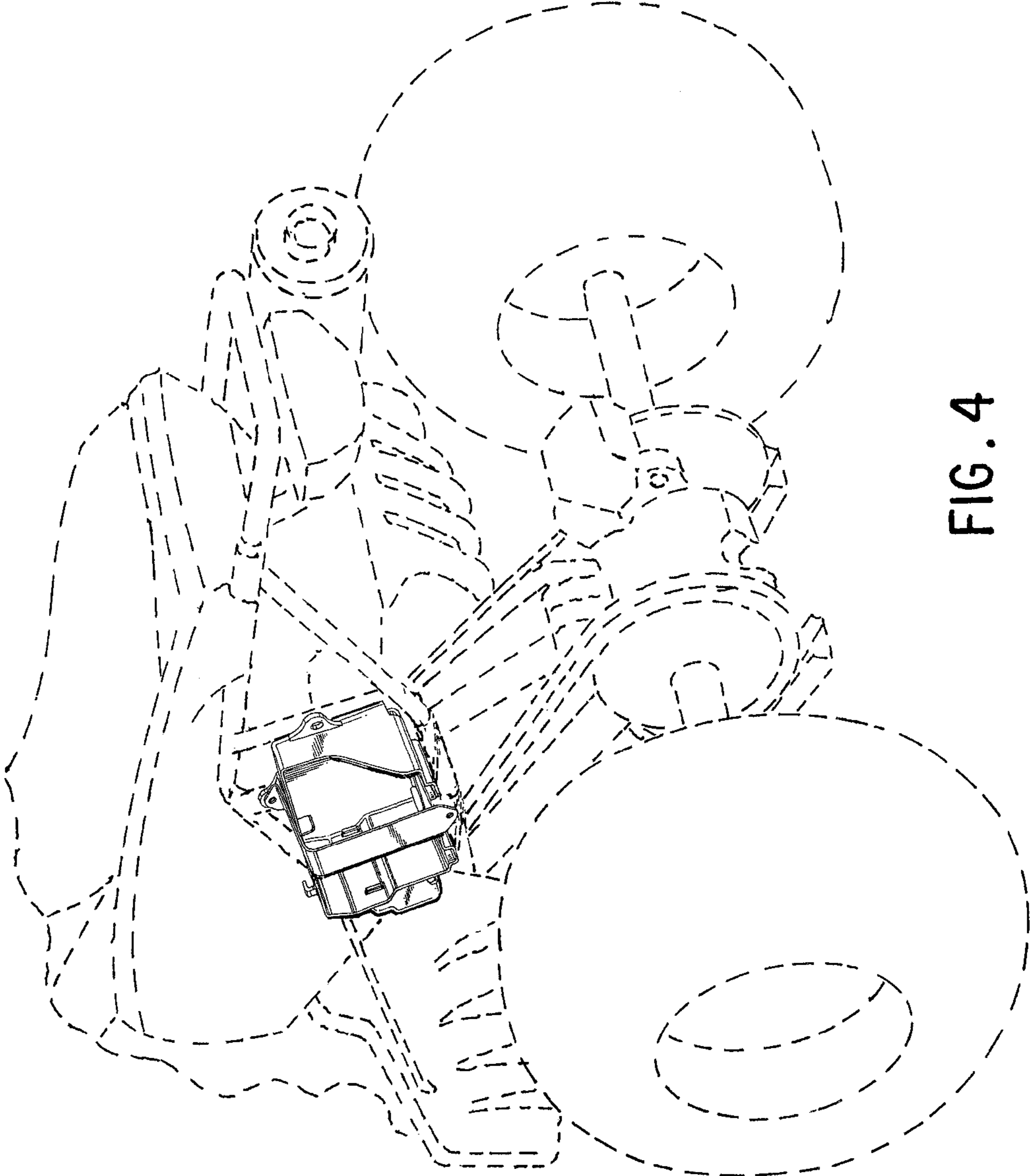


FIG. 4