



US00D602861S

(12) **United States Design Patent**  
**Talab**

(10) **Patent No.:** **US D602,861 S**

(45) **Date of Patent:** **\*\* Oct. 27, 2009**

(54) **WIND TURBINE**

(76) Inventor: **Patrick H. Talab**, 4051 Haggerty Rd.,  
West Bloomfield, MI (US) 48323

(\*\*) Term: **14 Years**

(21) Appl. No.: **29/323,561**

(22) Filed: **Aug. 27, 2008**

(51) **LOC (9) Cl.** ..... **13-01**

(52) **U.S. Cl.** ..... **D13/115**

(58) **Field of Classification Search** ..... D13/115,  
D13/101, 199; D15/1, 199; 290/43, 44;  
415/4.1, 4.3, 4.5, 56.3, 122.1; 416/9, 12,  
416/23, 24, 32, 37, 38, 44, 115, 117, 132 B,  
416/132 R, 142, 169, 196 A, 197 A  
See application file for complete search history.

(56) **References Cited**

**U.S. PATENT DOCUMENTS**

D252,572	S *	8/1979	Hanson	.....	D15/1
D271,303	S *	11/1983	Ovelmen	.....	D15/1
4,692,095	A *	9/1987	Lawson-Tancred	.....	416/23
D305,419	S *	1/1990	Korneski	.....	D13/115
5,320,491	A *	6/1994	Coleman et al.	.....	416/24
5,354,175	A *	10/1994	Coleman et al.	.....	416/9
6,270,308	B1 *	8/2001	Groppel	.....	415/4.3
D480,360	S *	10/2003	Bayly	.....	D13/115
D517,986	S *	3/2006	Wobben	.....	D13/115
2002/0153728	A1 *	10/2002	Groppel	.....	290/44

2003/0123973 A1\* 7/2003 Murakami ..... 415/4.1  
2004/0057828 A1\* 3/2004 Bosche ..... 416/1  
2004/0201220 A1\* 10/2004 Andersen et al. .... 290/44

\* cited by examiner

*Primary Examiner*—Prabhakar Deshmukh

*Assistant Examiner*—Derrick Holland

(74) *Attorney, Agent, or Firm*—Cargill & Associates, PLLC;  
Lynn E. Cargill

(57) **CLAIM**

The ornamental design for a wind turbine, as shown and described.

**DESCRIPTION**

FIG. 1 is a front perspective view of the wind turbine of the present invention, with the pole broken away to indicate indeterminate length;

FIG. 2 is a side elevational view of the wind turbine of FIG. 1, with the pole broken away to indicate indeterminate length;

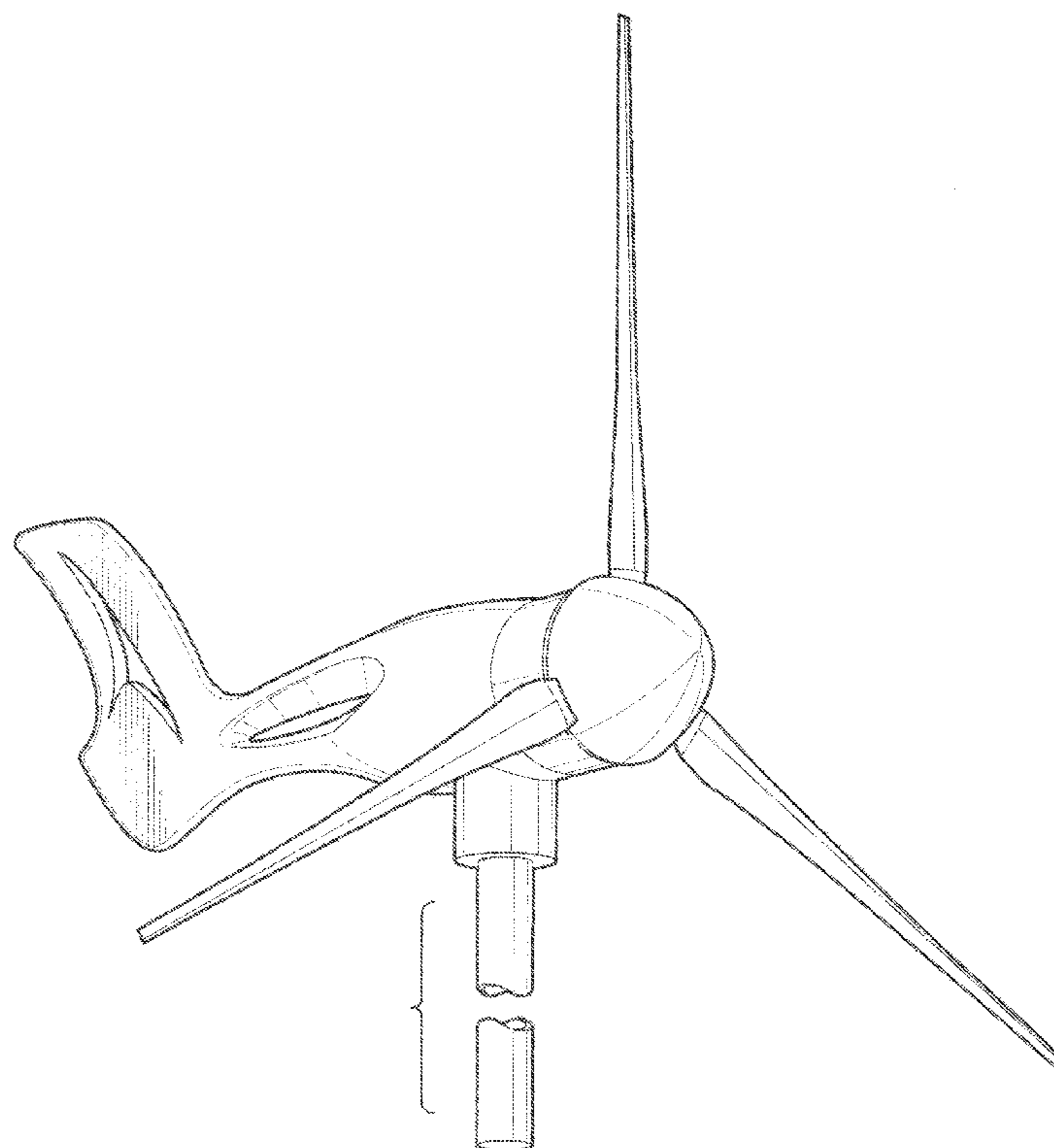
FIG. 3 is a front elevational view of the wind turbine of FIG. 1, with the pole broken away to indicate indeterminate length;

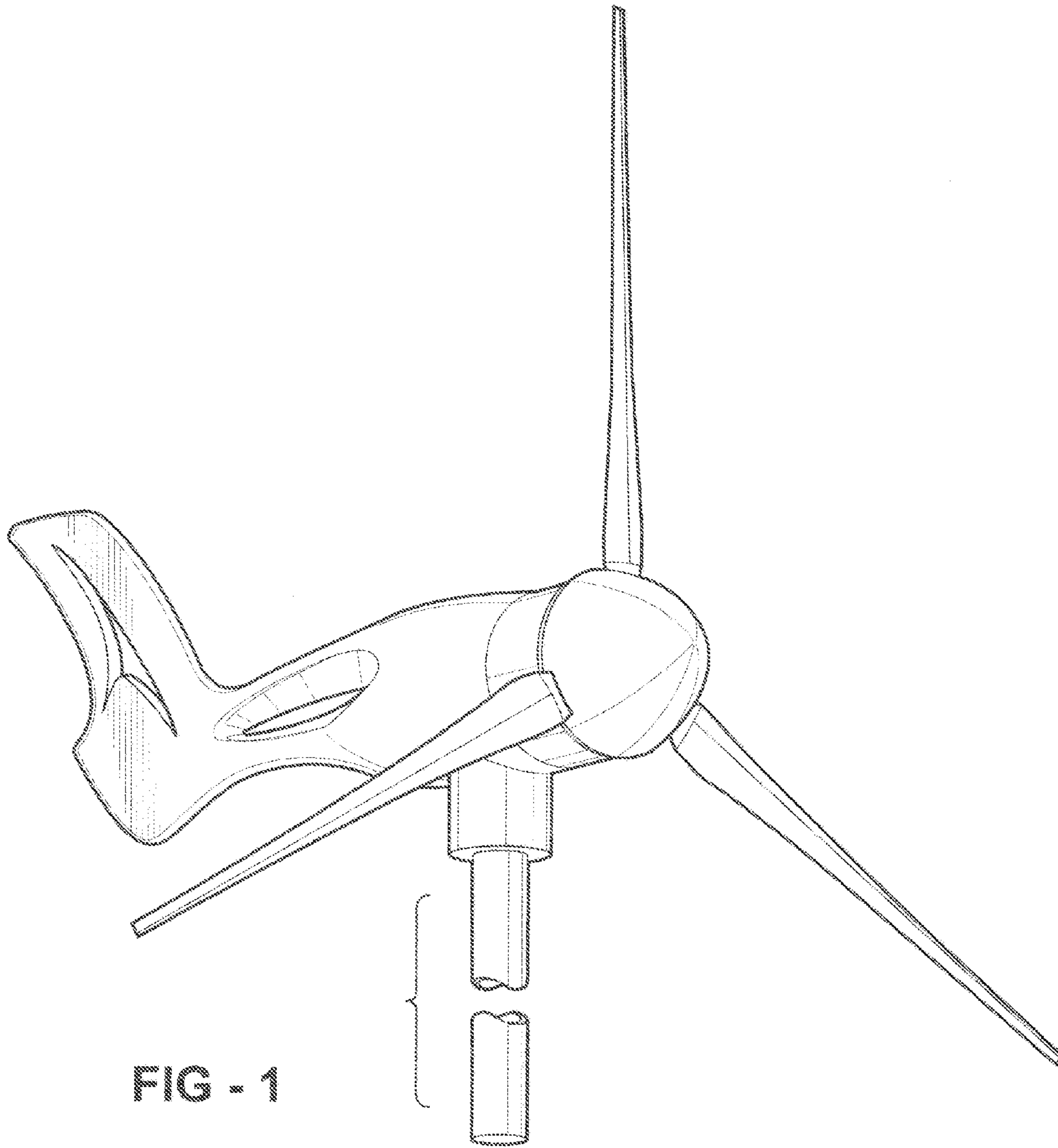
FIG. 4 is a top plan view of the wind turbine of FIG. 1;

FIG. 5 is a bottom plan view of the wind turbine of FIG. 1; and,

FIG. 6 is a rear elevational view of the wind turbine of FIG. 1, with the pole broken away to indicate indeterminate length.

**1 Claim, 6 Drawing Sheets**





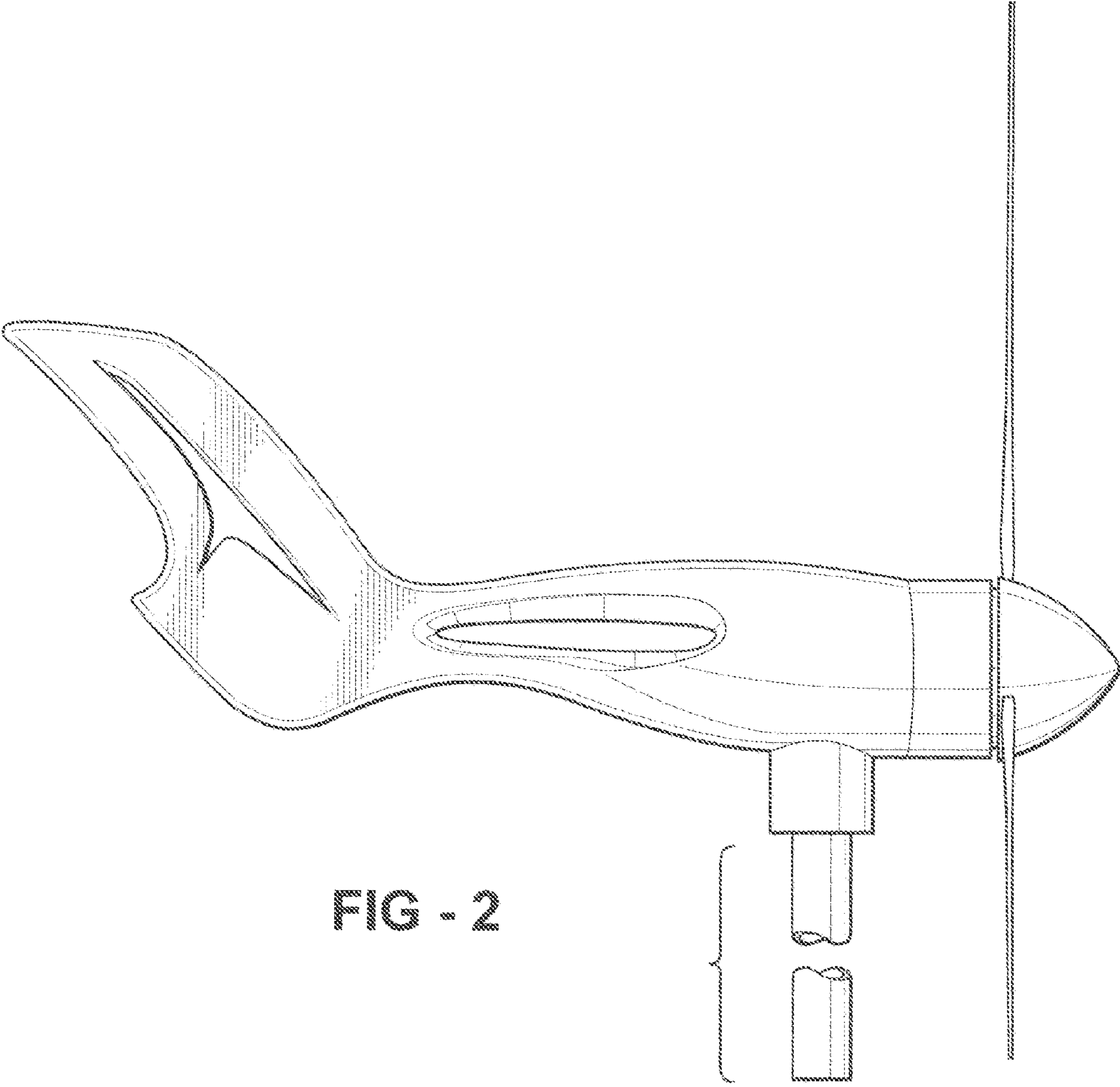


FIG - 2

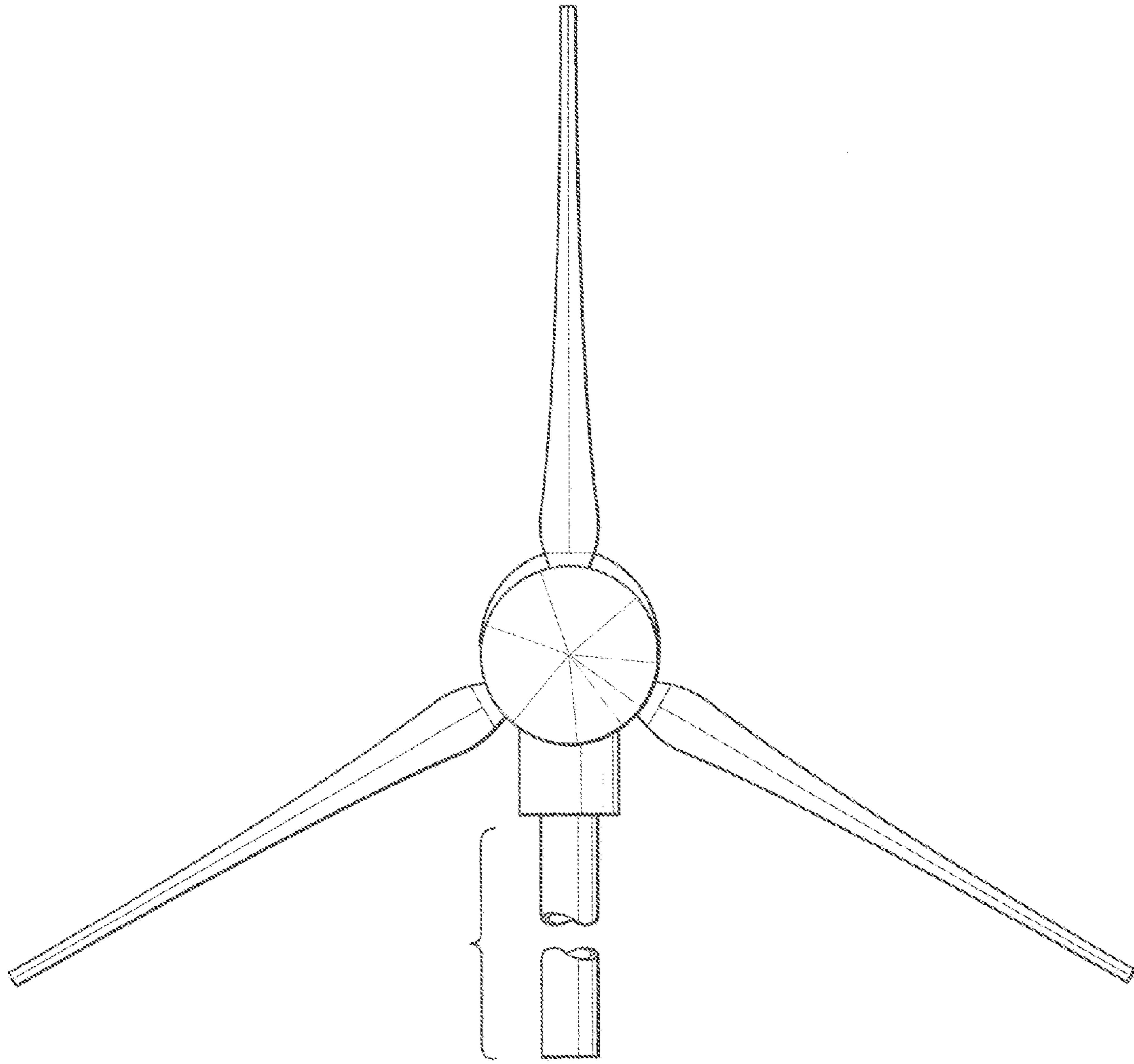


FIG - 3

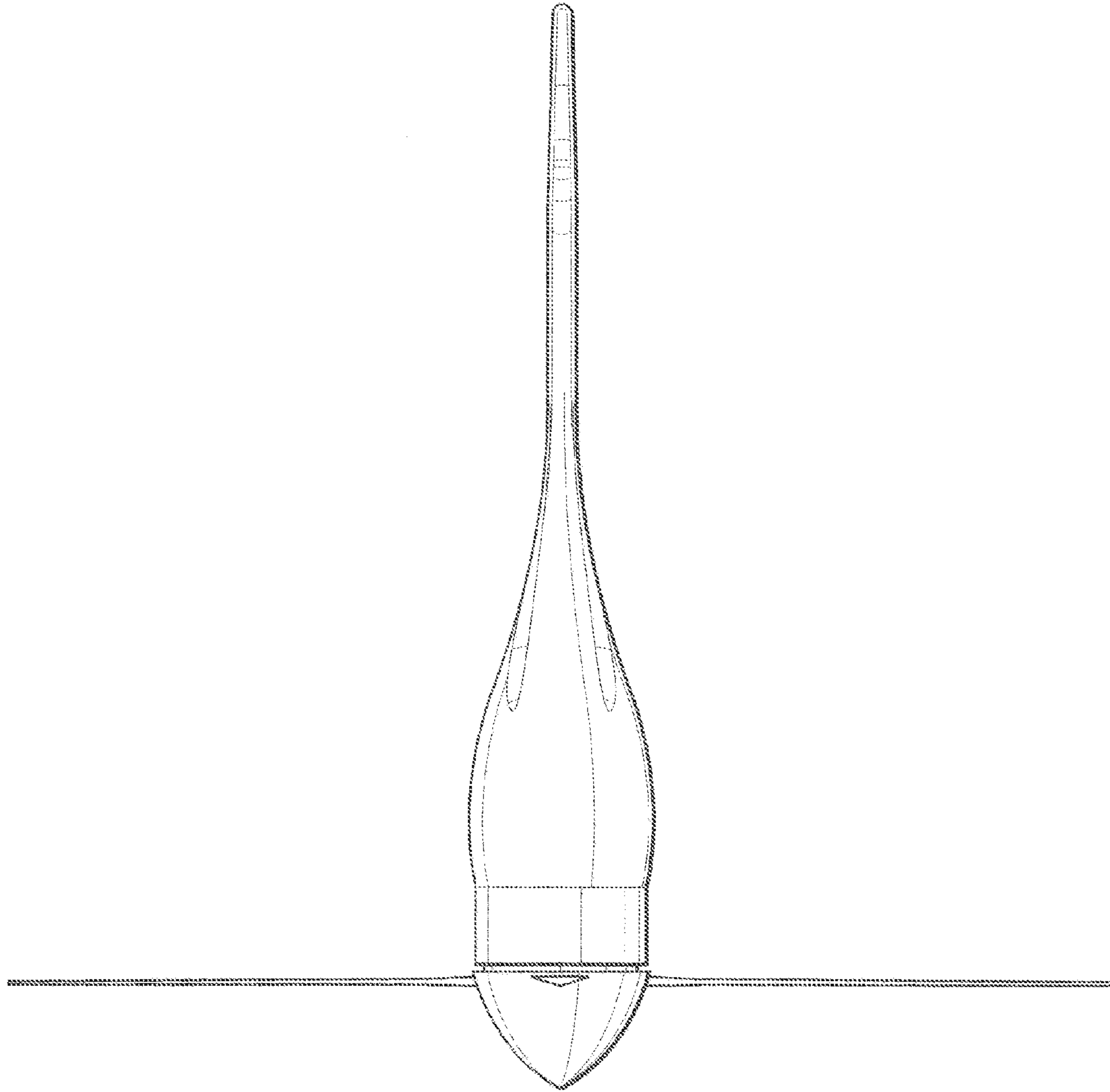


FIG - 4

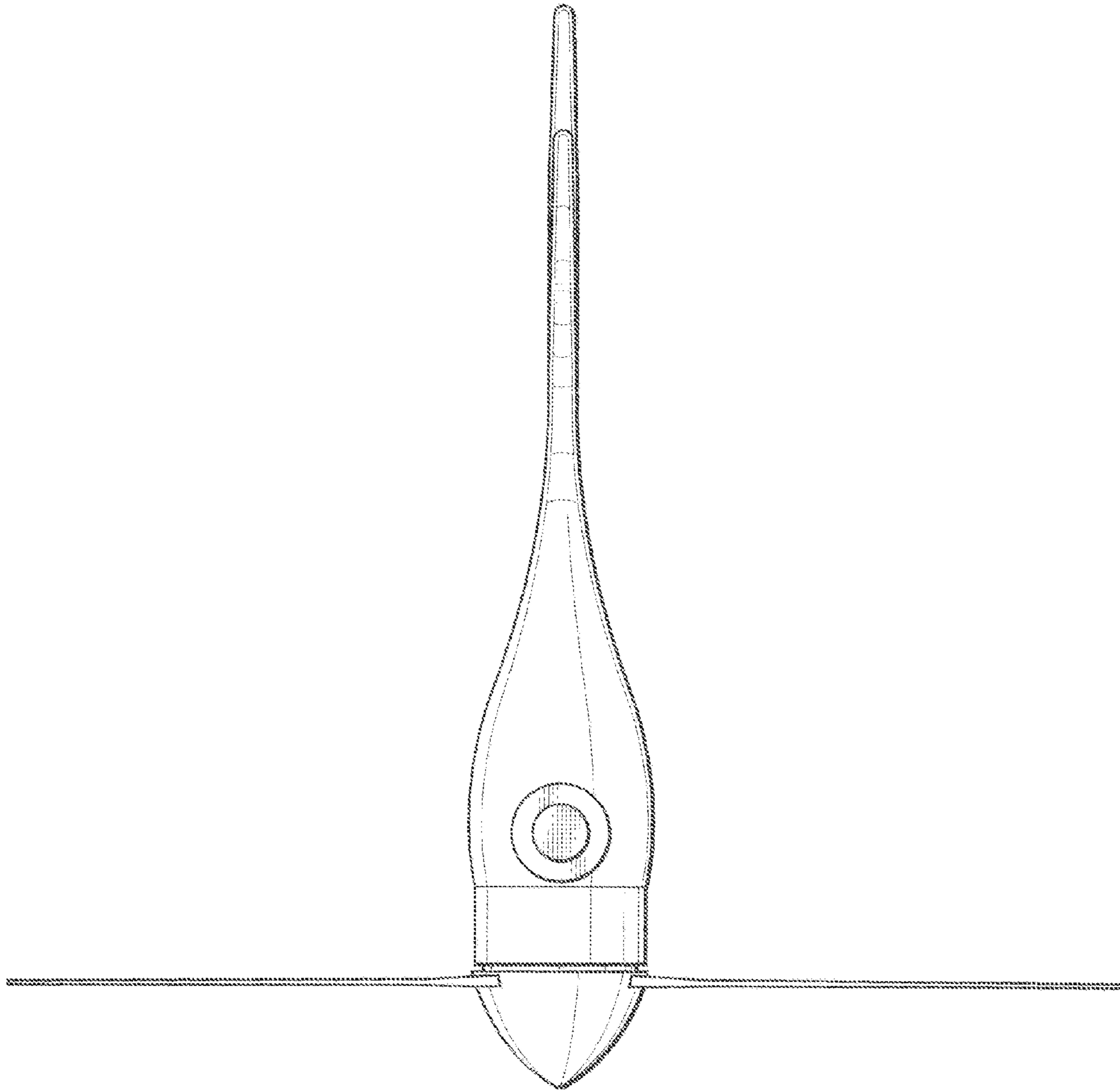


FIG - 5



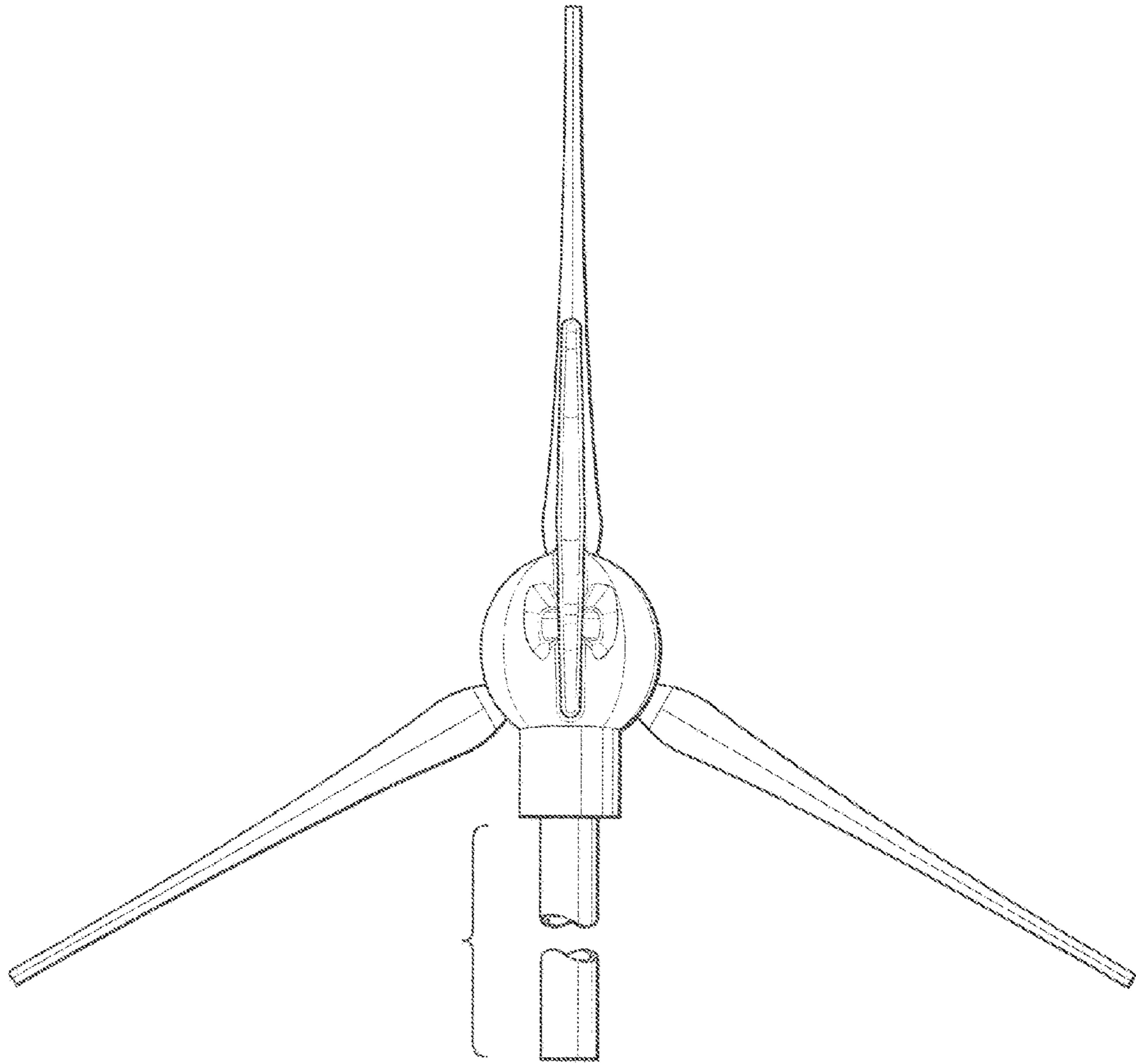


FIG - 6