



US00D602857S

(12) **United States Design Patent**  
**Melzner et al.**

(10) **Patent No.:** **US D602,857 S**  
(45) **Date of Patent:** **\*\* Oct. 27, 2009**

(54) **STORAGE BATTERY FOR LIGHTING SYSTEM**

DE 10 2007 044 566 A1 3/2009  
DE 10 2007 044 567 A1 3/2009  
EP 0 921 568 A2 6/1999

(75) Inventors: **Erwin Melzner**, Frasdorf (DE); **Michael Jonischkeit**, Alxing (DE); **Kerstin Schlegel**, Stephanskirchen (DE); **Dennis Jackstien**, Stephanskirchen (DE)

**OTHER PUBLICATIONS**

Patent Application No. DE 10 2007 044 567, filed Sep. 7, 2007, 70 sheets.  
Patent Application No. DE 10 2007 044 566, filed Sep. 7, 2007, 64 sheets.

(73) Assignee: **Arnold & Richter Cine Technik GmbH & Co. Betriebs KG**, Munich (DE)

\* cited by examiner

(\*\*) Term: **14 Years**

*Primary Examiner*—Jennifer Rivard  
*Assistant Examiner*—Rosemary K Tarcza

(21) Appl. No.: **29/325,708**

(74) *Attorney, Agent, or Firm*—Christie, Parker & Hale LLP

(22) Filed: **Oct. 3, 2008**

(57) **CLAIM**

(30) **Foreign Application Priority Data**

The ornamental design for storage battery for lighting system, as shown and described.

Apr. 4, 2008 (DE) ..... 402008001 754

**DESCRIPTION**

(51) **LOC (9) Cl.** ..... **13-02**

FIG. 1 is a top perspective view of the storage battery for lighting system;

(52) **U.S. Cl.** ..... **D13/103**

FIG. 2 is a top view of the storage battery for lighting system; FIG. 3 is a front view of the storage battery for lighting system;

(58) **Field of Classification Search** ..... D13/102–106, D13/110, 118–119, 184; 429/96–100, 163, 429/176

See application file for complete search history.

FIG. 4 is a left side view of the storage battery for lighting system;

(56) **References Cited**

**U.S. PATENT DOCUMENTS**

FIG. 5 is a right side view of the storage battery for lighting system;

D264,460 S \* 5/1982 Moller ..... D13/184

FIG. 6 is a back view of the storage battery for lighting system; and,

D368,429 S \* 4/1996 Serio, Jr. .... D9/431

FIG. 7 is a bottom view of the storage battery for lighting system.

D423,449 S \* 4/2000 Naskali ..... D13/103

D506,065 S \* 6/2005 Sugino et al. .... D3/294

D516,503 S \* 3/2006 Takeshita et al. .... D13/103

D548,684 S \* 8/2007 Eto et al. .... D13/103

D550,613 S \* 9/2007 Hamasaki ..... D13/103

D568,240 S \* 5/2008 Haydvoegel ..... D13/103

D584,224 S \* 1/2009 Mori et al. .... D13/103

2006/0057461 A1 \* 3/2006 Hamada et al. .... 429/181

**FOREIGN PATENT DOCUMENTS**

DE 20 2004 016 637 U1 2/2005

DE 4 07 04 520.1 10/2007

The portions of the storage battery for lighting system shown in broken lines form no part of the claimed design.

The broken lines shown in the drawings are included for the purpose of illustrating environmental structure and form no part of the claimed design.

**1 Claim, 7 Drawing Sheets**

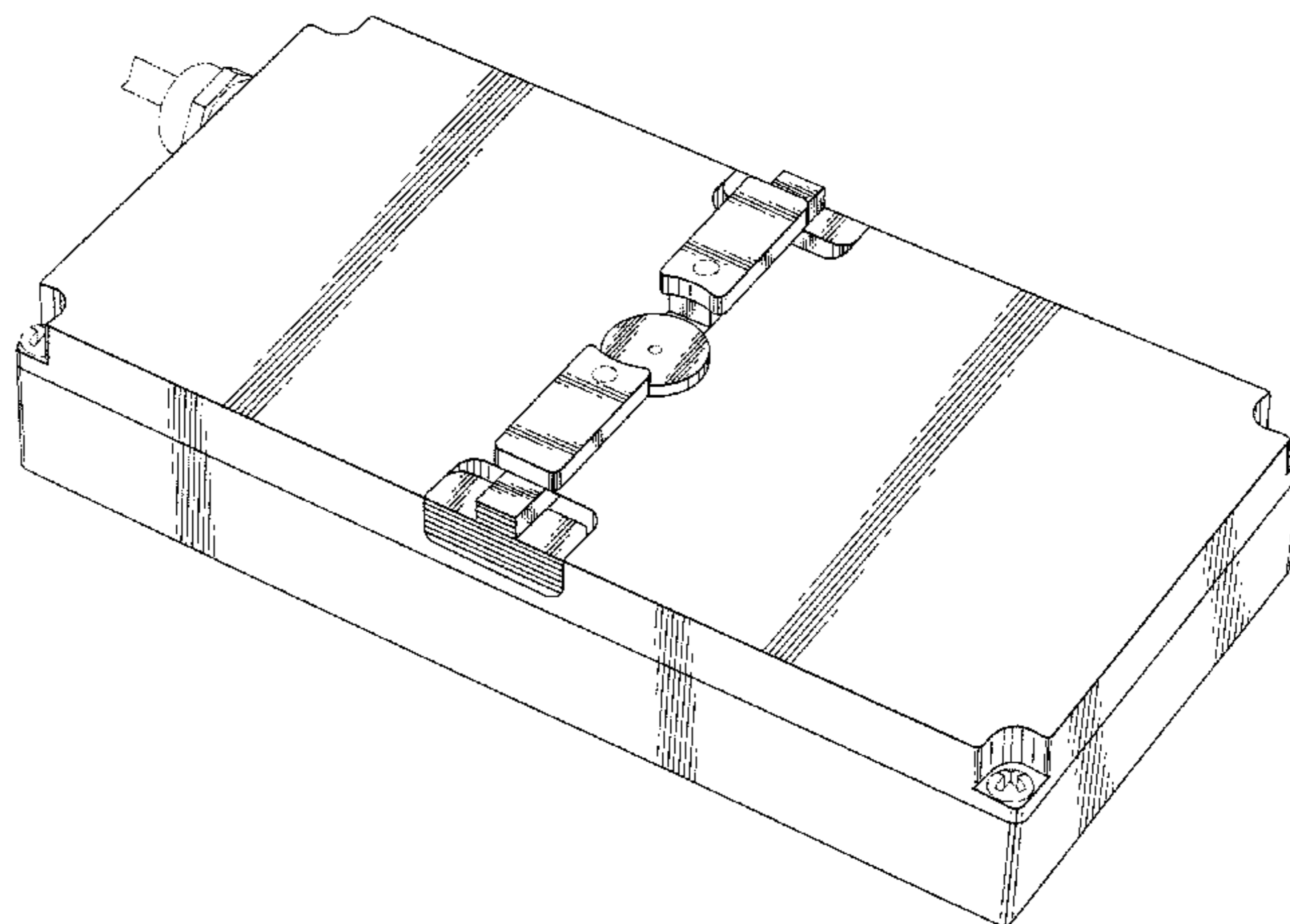


FIG. 1

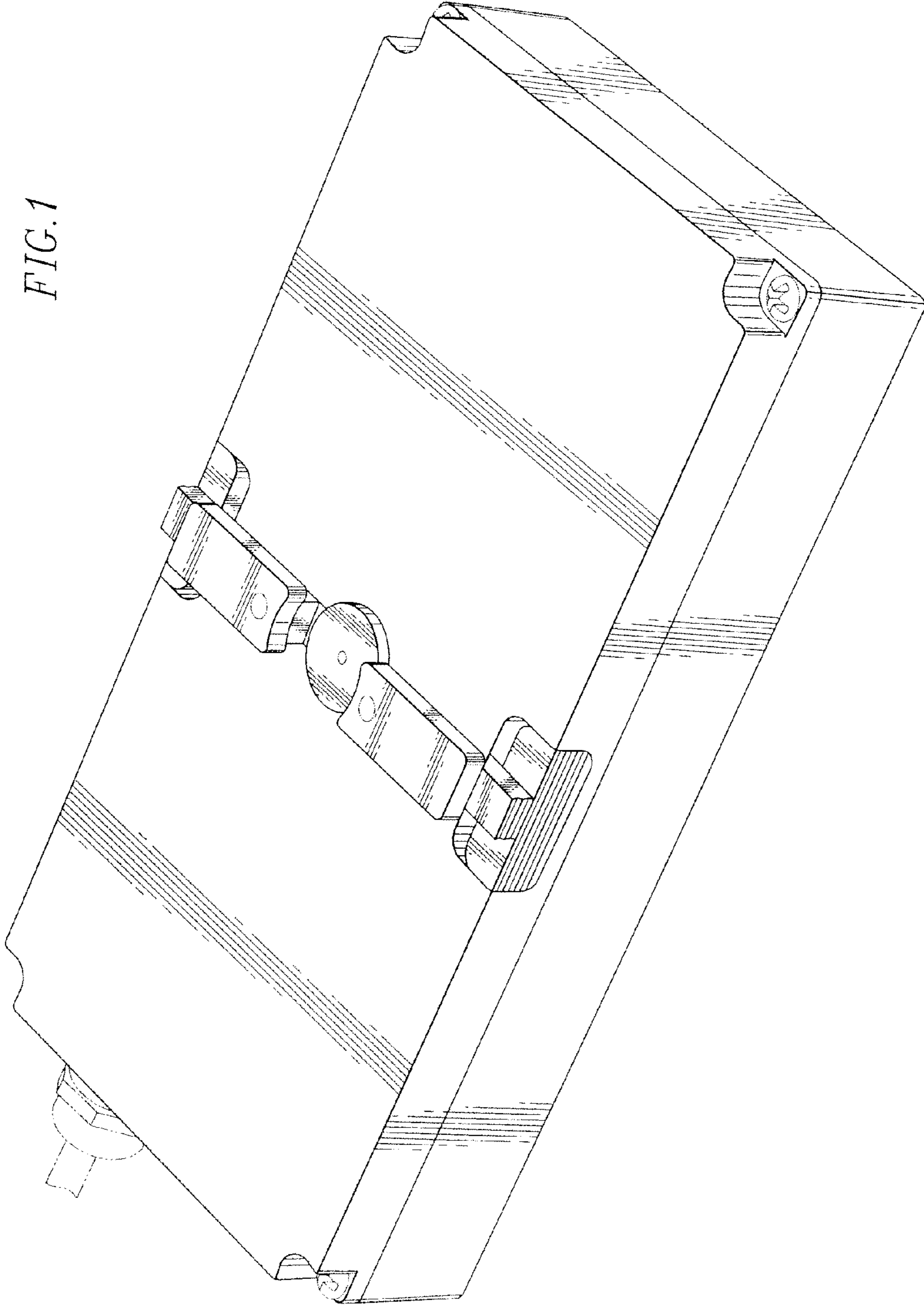


FIG. 2

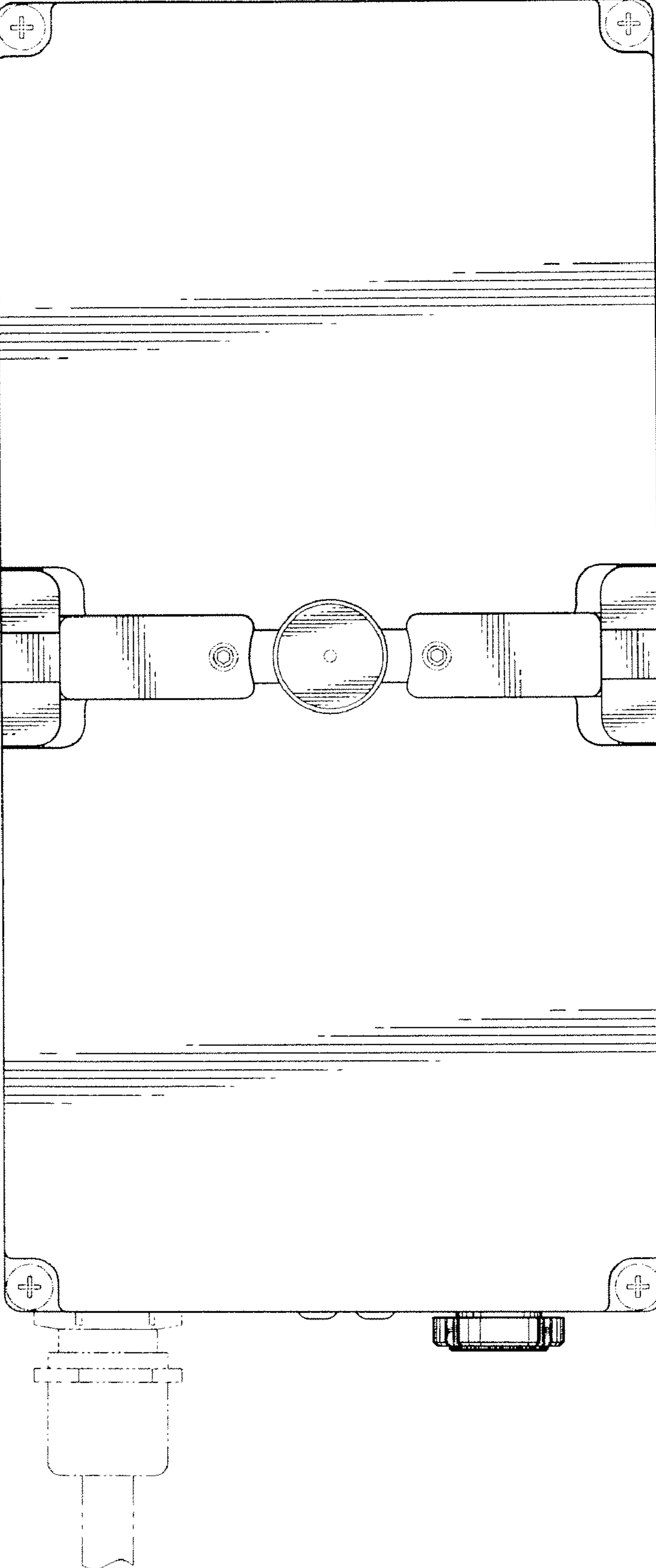


FIG. 3

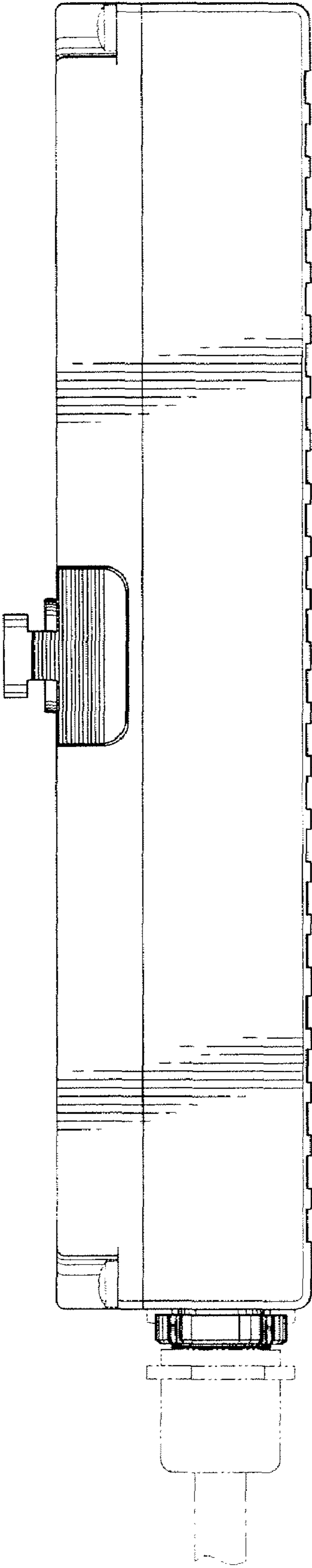


FIG. 4

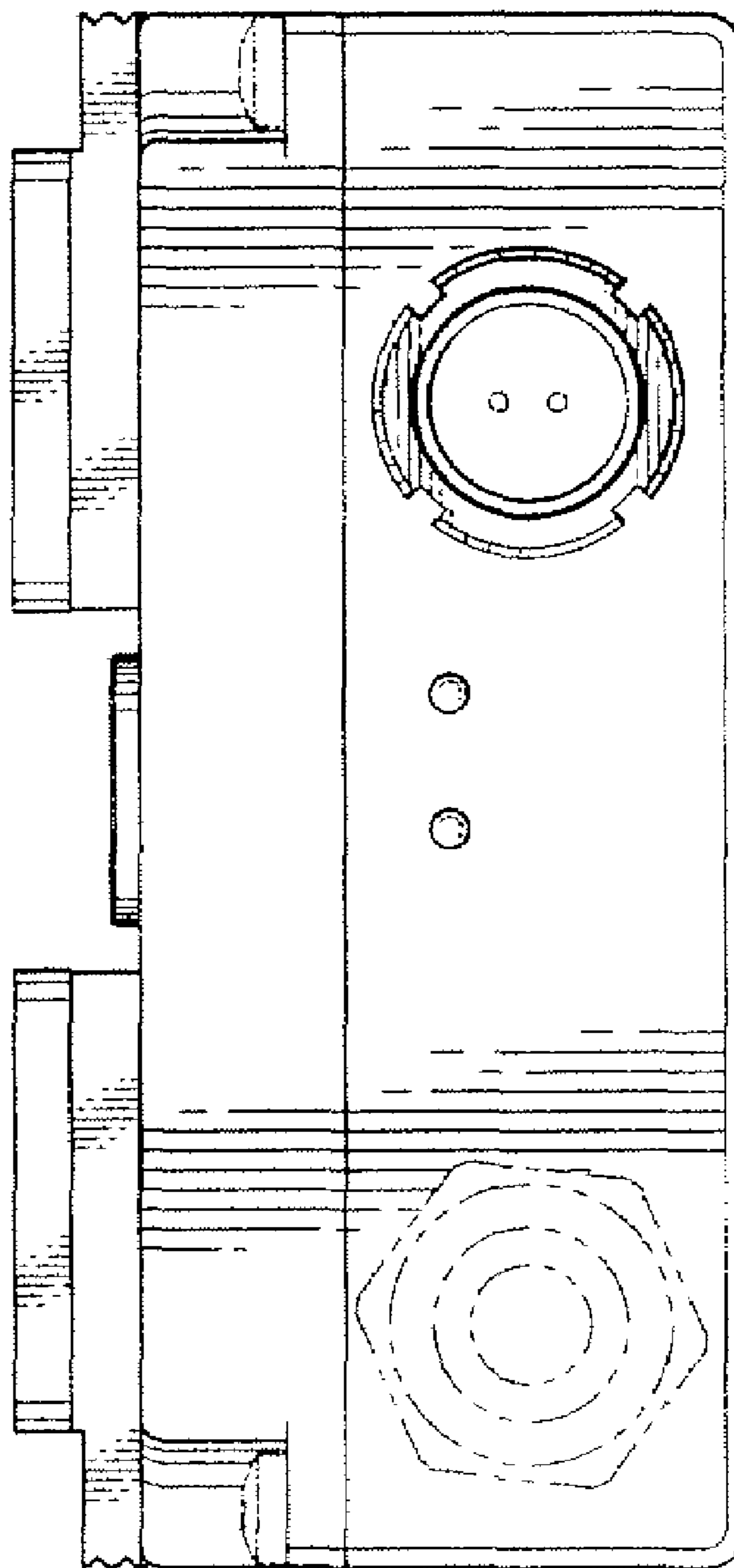


FIG. 5

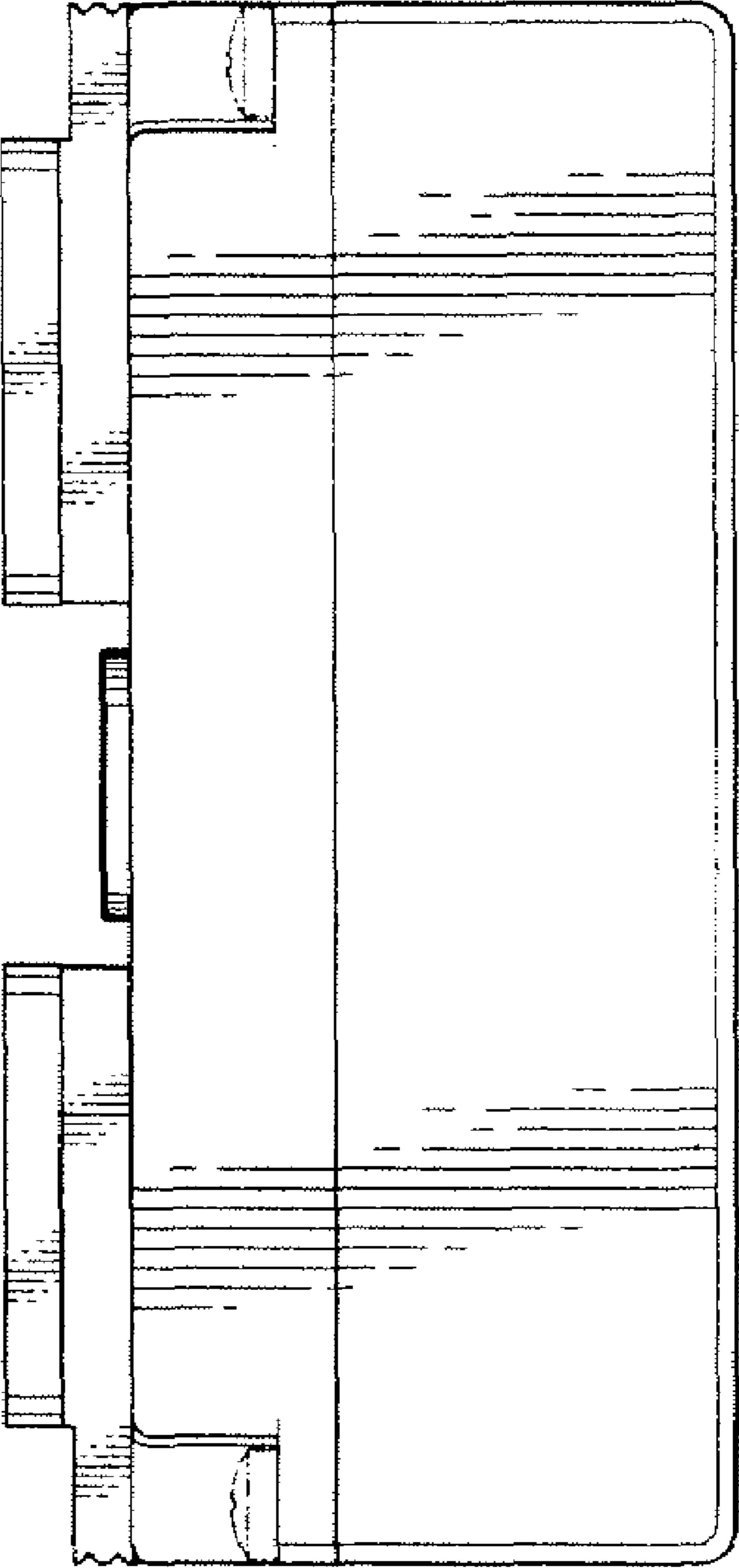


FIG. 6

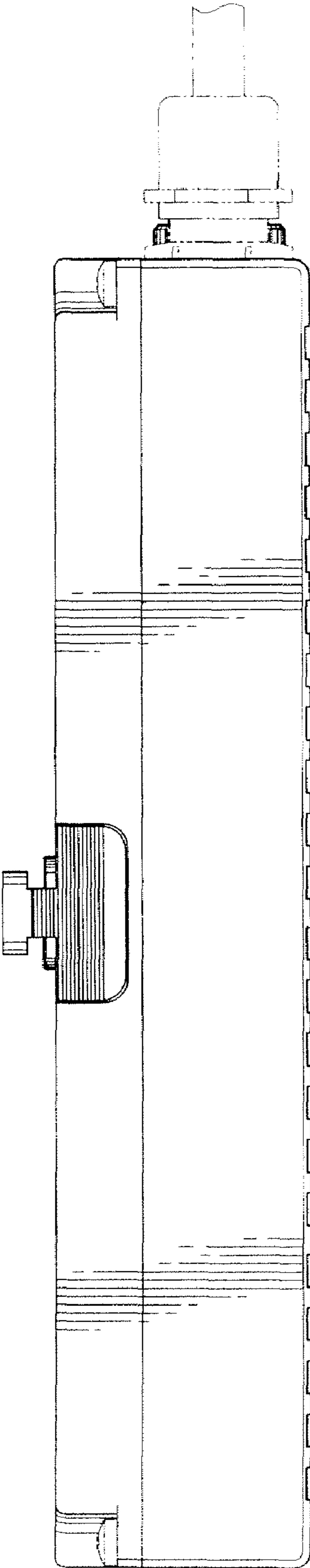


FIG. 7

