



US00D602852S

(12) **United States Design Patent**  
**Laskowitz et al.**

(10) **Patent No.:** **US D602,852 S**  
(45) **Date of Patent:** **\*\* Oct. 27, 2009**

(54) **TIRE**

(75) Inventors: **Ian Laskowitz**, Woodbury, CT (US);  
**Richard Palinkas**, Northfield, CT (US)

(73) Assignee: **Chemtura Corporation**, Middlebury,  
CT (US)

(\*\*) Term: **14 Years**

(21) Appl. No.: **29/296,763**

(22) Filed: **Oct. 26, 2007**

(51) **LOC (9) Cl.** ..... **12-16**

(52) **U.S. Cl.** ..... **D12/570**

(58) **Field of Classification Search** ..... D12/568–603;  
152/209.1, 209.8, 209.12, 209.18, 209.25  
See application file for complete search history.

(56) **References Cited**

**U.S. PATENT DOCUMENTS**

D168,675	S	*	1/1953	Custer	.....	D12/596
D170,710	S	*	10/1953	Nellen	.....	D12/603
D201,238	S		5/1965	Fishman		
3,196,920	A	*	7/1965	Fishman	.....	152/209.22
3,219,090	A		11/1965	Cislo		
4,226,273	A		10/1980	Long et al.		
4,784,201	A		11/1988	Palinkas et al.		
4,832,098	A		5/1989	Palinkas et al.		
4,921,029	A		5/1990	Palinkas et al.		
4,934,425	A		6/1990	Gajewski et al.		
5,023,040	A		6/1991	Gajewski et al.		
5,077,371	A		12/1991	Singh et al.		
5,139,066	A		8/1992	Jarman		
D329,413	S		9/1992	Chandler		
5,223,599	A		6/1993	Gajewski		
5,265,659	A		11/1993	Pajtas et al.		
5,343,916	A		9/1994	Duddey et al.		
5,460,213	A		10/1995	Pajtas		
5,605,657	A		2/1997	Nybakken et al.		
5,676,900	A		10/1997	Pajtas		
D391,537	S	*	3/1998	Maxwell	.....	D12/583
D401,896	S		12/1998	Chandler et al.		
D410,603	S		6/1999	Chandler et al.		
D413,557	S	*	9/1999	Bonko	.....	D12/579

6,170,544	B1		1/2001	Hottebart		
D455,996	S		4/2002	Buckley		
6,681,822	B2		1/2004	Adams et al.		
D498,203	S		11/2004	Shapiro et al.		
D499,065	S		11/2004	Shapiro et al.		
7,013,939	B2		3/2006	Rhyne et al.		
D536,298	S		2/2007	Becker et al.		
7,174,936	B2		2/2007	Becker, et al.		
7,201,194	B2		4/2007	Rhyne et al.		
D548,681	S		8/2007	Becker et al.		
2007/0089820	A1		4/2007	Gabrys et al.		
2007/0119531	A1		5/2007	Steinke et al.		
2007/0215259	A1		9/2007	Burns		
2007/0267116	A1		11/2007	Rhyne et al.		

**FOREIGN PATENT DOCUMENTS**

EP 159888 10/1985

(Continued)

*Primary Examiner*—Caron Veynar  
*Assistant Examiner*—George D Kirschbaum  
(74) *Attorney, Agent, or Firm*—James Sher

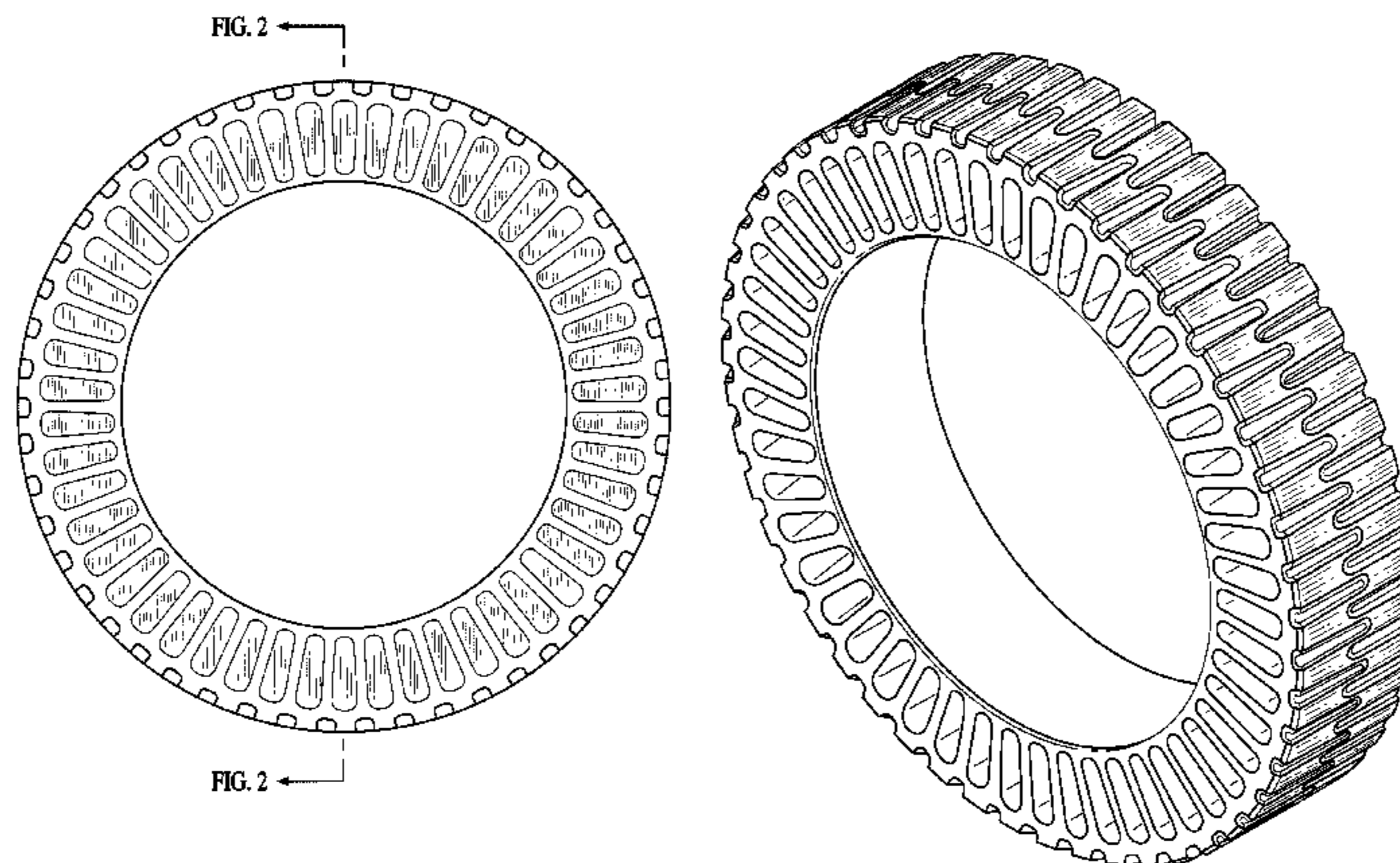
(57) **CLAIM**

The ornamental design for a tire, as shown and described.

**DESCRIPTION**

FIG. 1 is a proximal side view of a tire showing our new design;  
FIG. 2. is a cross-sectional view of the tire taken along the line 2—2;  
FIG. 3 is a distal side view thereof;  
FIG. 4 is a cross-sectional view of the tire taken along the line 3—3;  
FIG. 5 is a perspective view thereof;  
FIG. 6 is a front view thereof, it being understood that the tread pattern is repeated throughout the circumference of the tire; and,  
FIG. 7 is an enlarged view of the tread pattern from the front view of the design.

**1 Claim, 4 Drawing Sheets**



# US D602,852 S

Page 2

---

FOREIGN PATENT DOCUMENTS					
			GB	2431383	4/2007
			WO	WO 8905736	6/1989
			WO	WO 9514582	6/1995
EP	245789	11/1987	WO	WO 9718959	5/1997
EP	297628	1/1989	WO	WO 9843833	10/1998
EP	334522	9/1989	WO	WO 03018332	3/2003
EP	353006	1/1990	WO	WO 2008009042	1/2008
EP	399383	11/1990			
EP	502353	9/1992			

\* cited by examiner

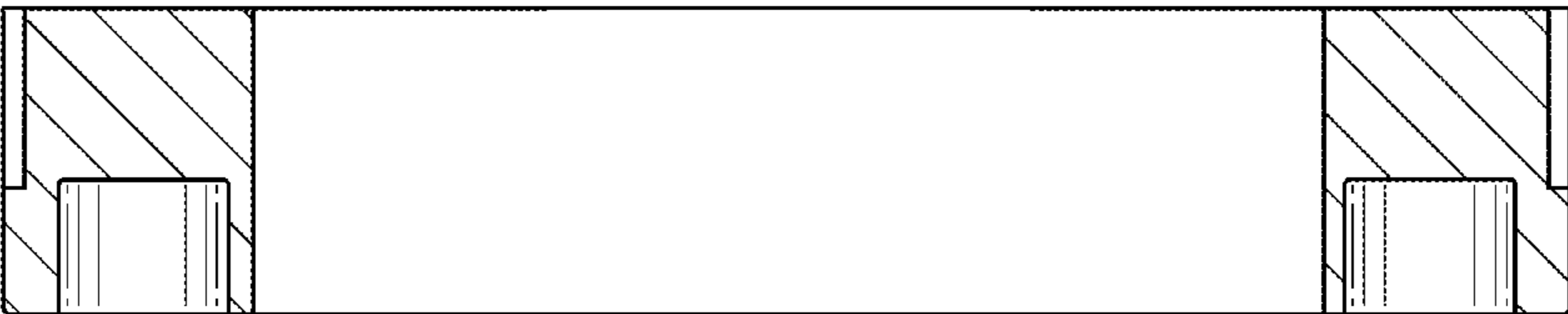


FIG. 2

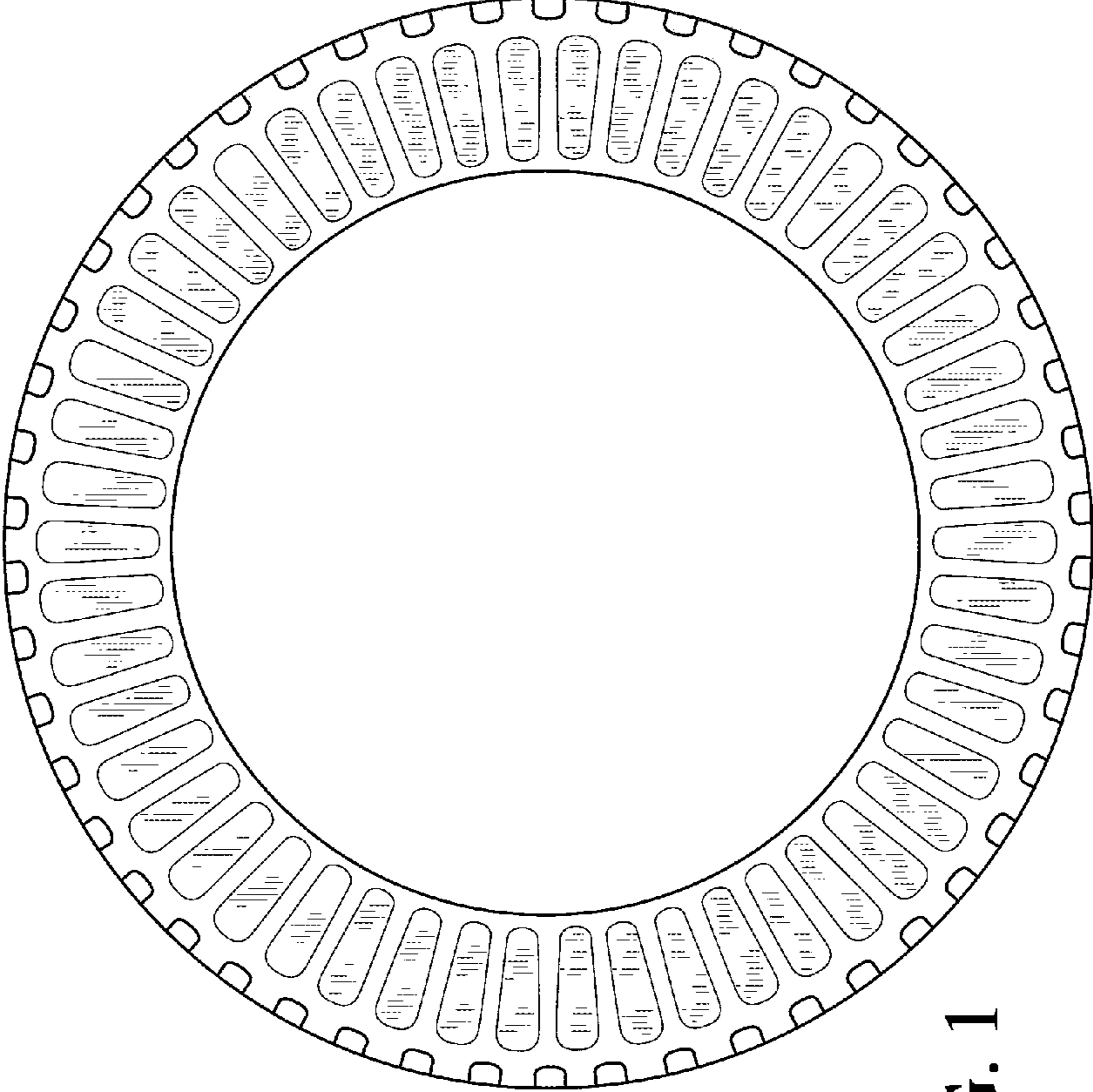


FIG. 2

FIG. 2

FIG. 1

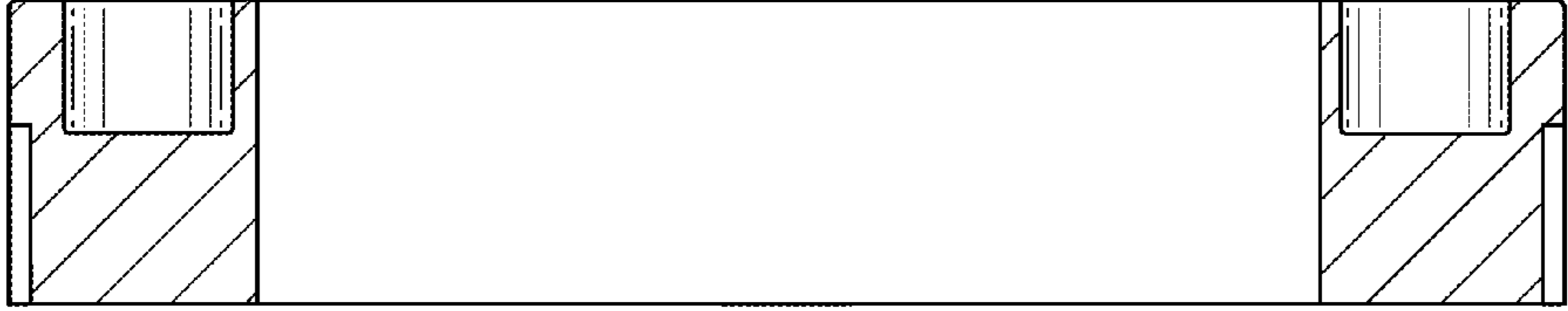


FIG. 4

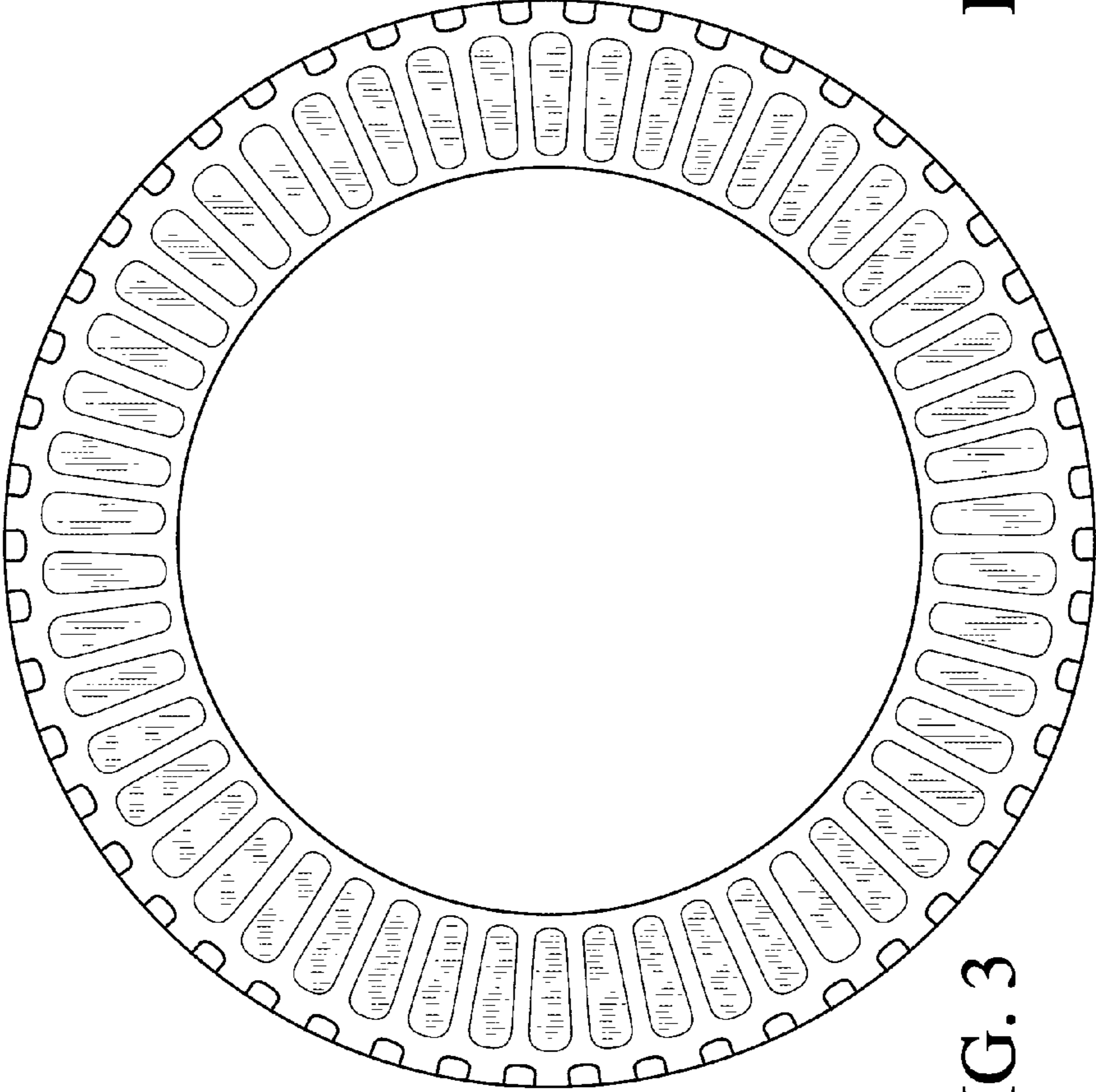


FIG. 4

FIG. 4

FIG. 3

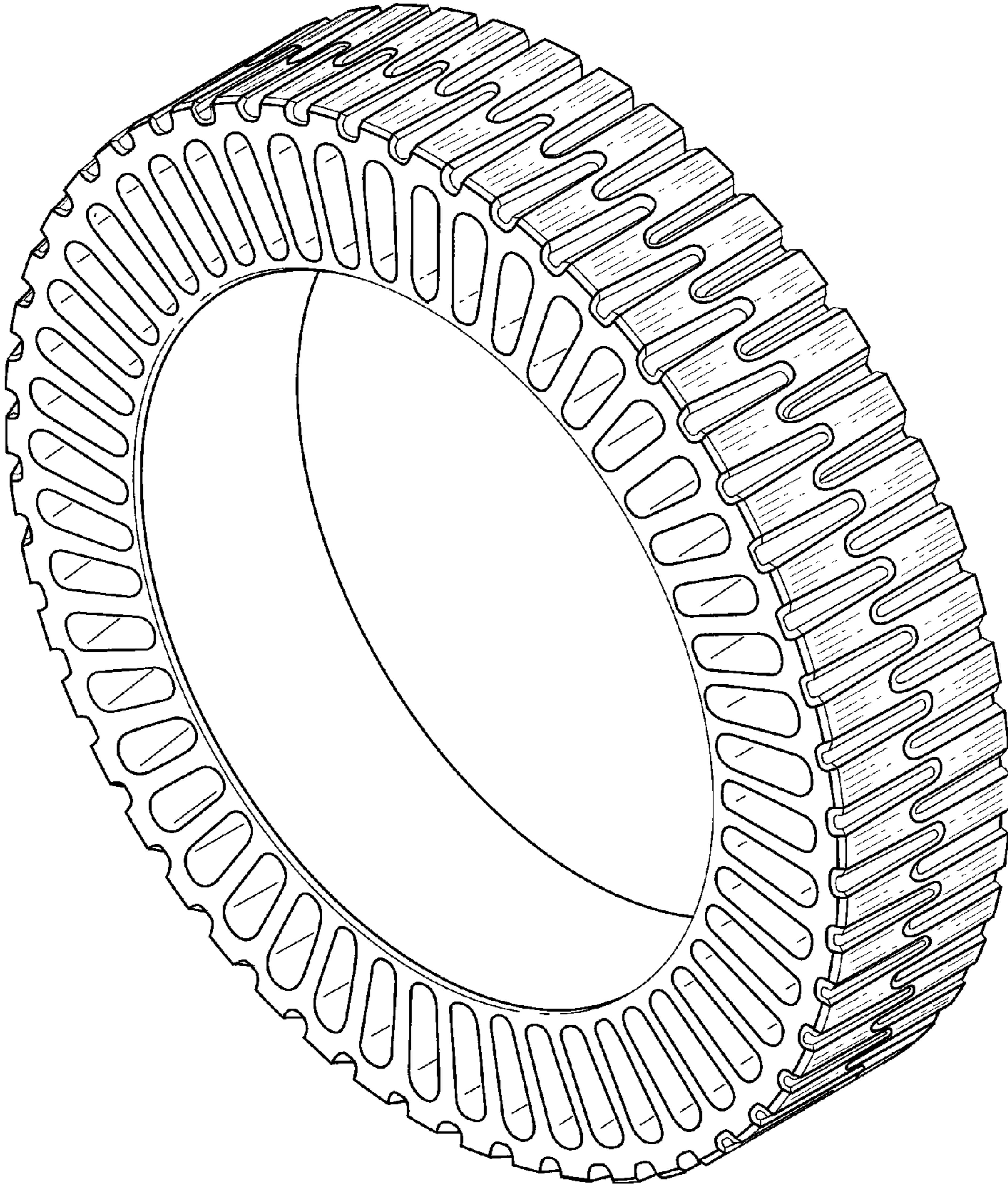


FIG. 5

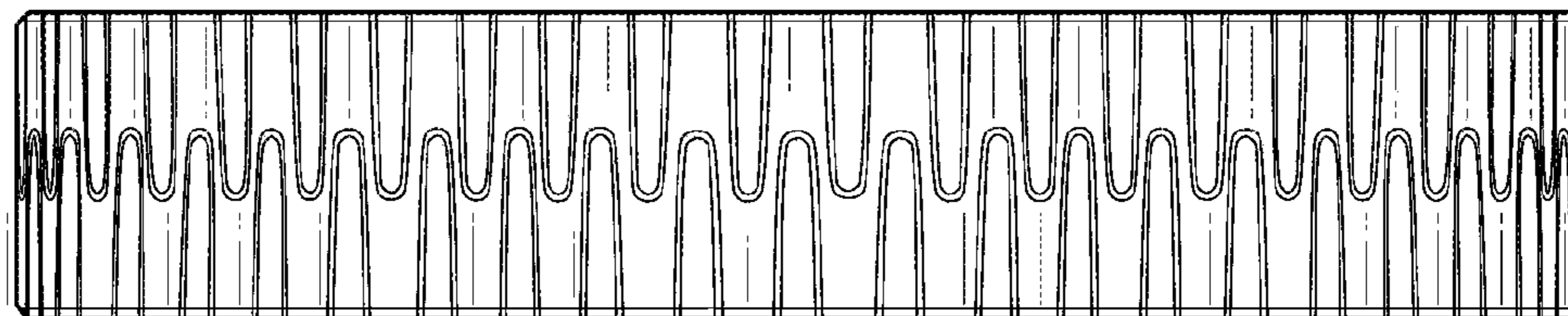


FIG. 6

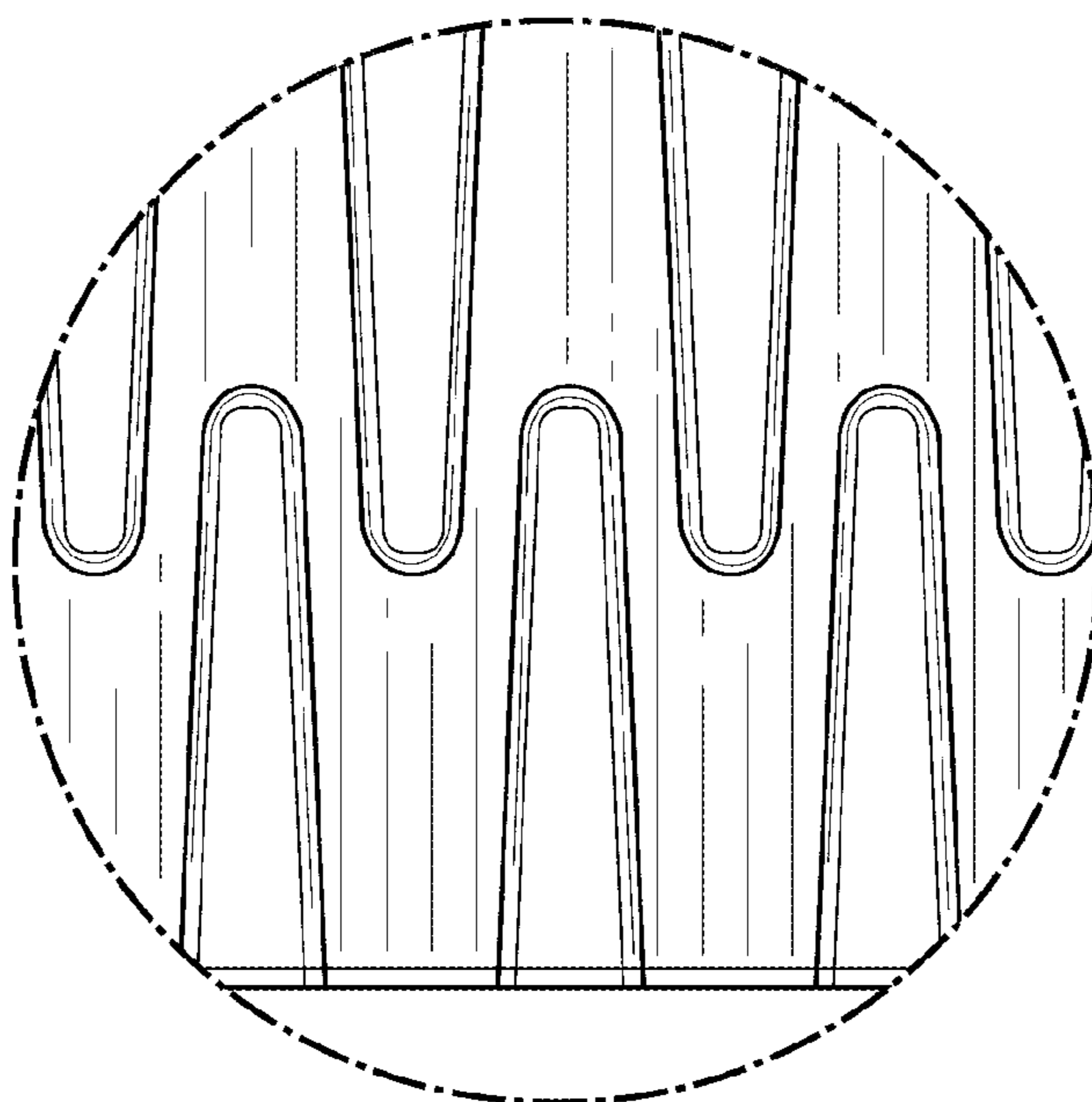


FIG. 7