



US00D602846S

(12) **United States Design Patent**  
**Park et al.**

(10) **Patent No.:** **US D602,846 S**

(45) **Date of Patent:** **\*\* Oct. 27, 2009**

(54) **TIRE FOR AUTOMOBILE**

D558,125 S \* 12/2007 Miyabe et al. .... D12/518  
D583,750 S \* 12/2008 Behr et al. .... D12/523

(75) Inventors: **Ki seok Park**, Gyeongsangnam-do (KR); **Seung il Choi**, Gyeongsangnam-do (KR)

\* cited by examiner

*Primary Examiner*—Caron Veynar  
*Assistant Examiner*—George D Kirschbaum  
(74) *Attorney, Agent, or Firm*—Hoffmann & Baron, LLP

(73) Assignee: **Nexen Tire Co., Ltd.**, Gyeongsangnam-do (KR)

(\*\*) Term: **14 Years**

(57) **CLAIM**

(21) Appl. No.: **29/299,462**

The ornamental design for an automobile tire, as shown and described.

(22) Filed: **Dec. 27, 2007**

**DESCRIPTION**

(30) **Foreign Application Priority Data**

Sep. 17, 2007 (KR) ..... 30-2007-0039579

FIG. 1 is a perspective view of an automobile tire showing the new design;

(51) **LOC (9) Cl.** ..... **12-16**

(52) **U.S. Cl.** ..... **D12/519**

(58) **Field of Classification Search** ..... D12/505-532;  
152/209.1, 209.8, 209.12, 209.18, 209.25  
See application file for complete search history.

FIG. 2 is a front view of the automobile tire shown in FIG. 1, it being understood that the pattern repeats uniformly throughout the circumference of the tire;

FIG. 3 is a rear view of the automobile tire shown in FIG. 1;

FIG. 4 is a left side view of the automobile tire shown in FIG. 1;

(56) **References Cited**

**U.S. PATENT DOCUMENTS**

D460,402 S \* 7/2002 Ishida et al. .... D12/523  
D467,535 S \* 12/2002 Ishida et al. .... D12/519  
D501,179 S \* 1/2005 Iga et al. .... D12/518  
D505,380 S \* 5/2005 Sugitani et al. .... D12/524

FIG. 5 is a right side view of the automobile tire shown in FIG. 1; and,

FIG. 6 is an enlarged view showing a portion of the automobile tire shown in FIG. 2.

**1 Claim, 6 Drawing Sheets**

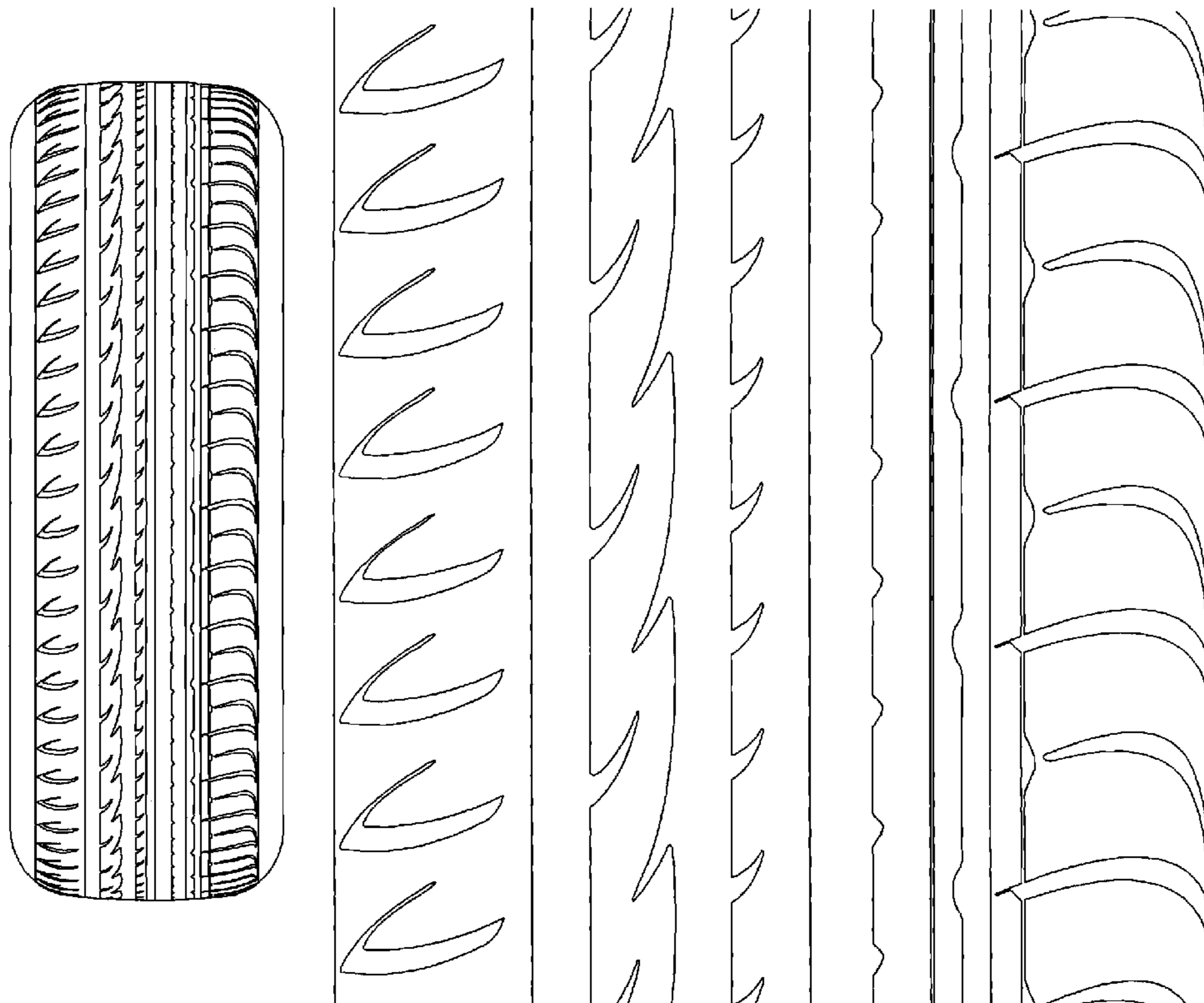


Fig. 1

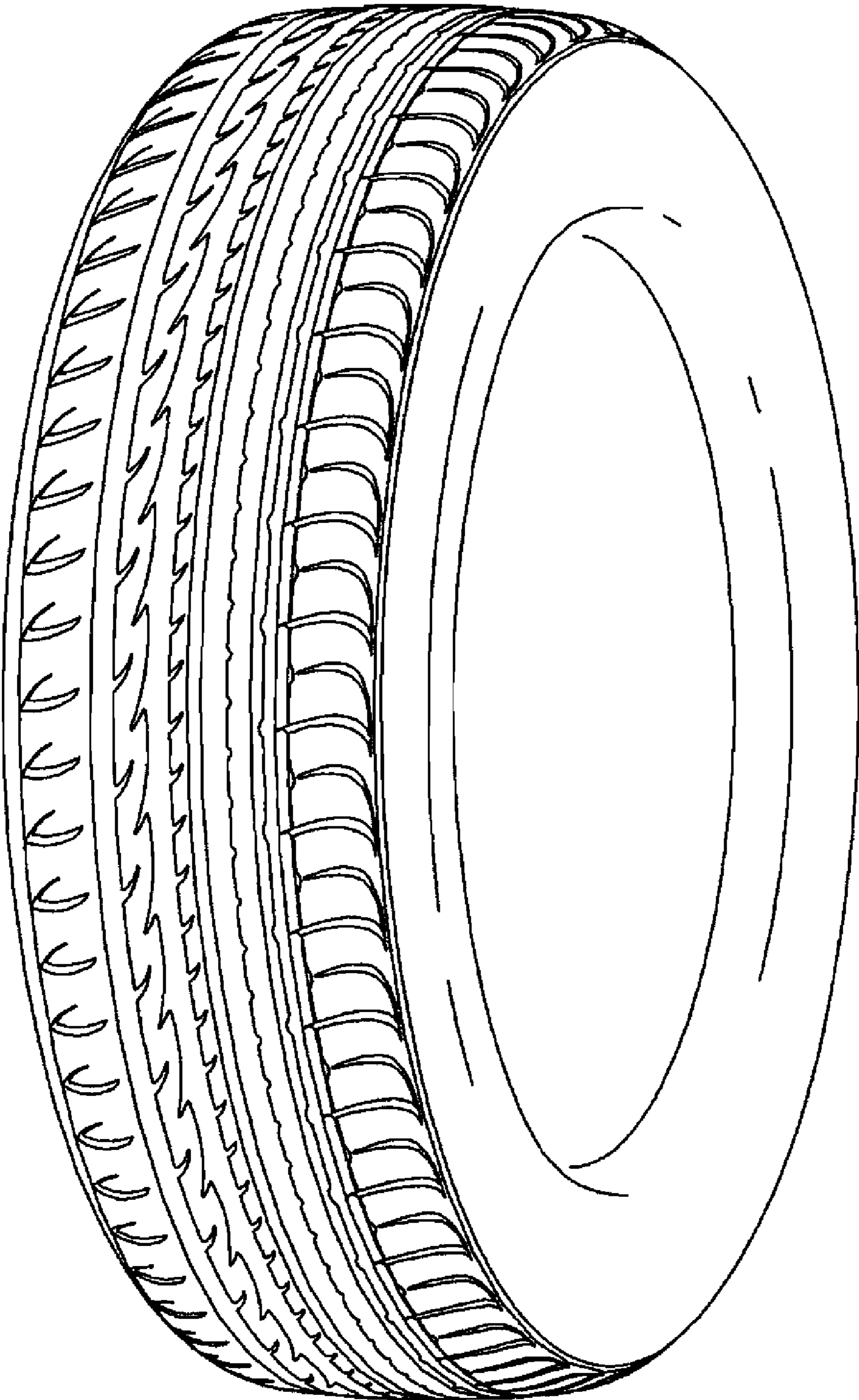


Fig. 2

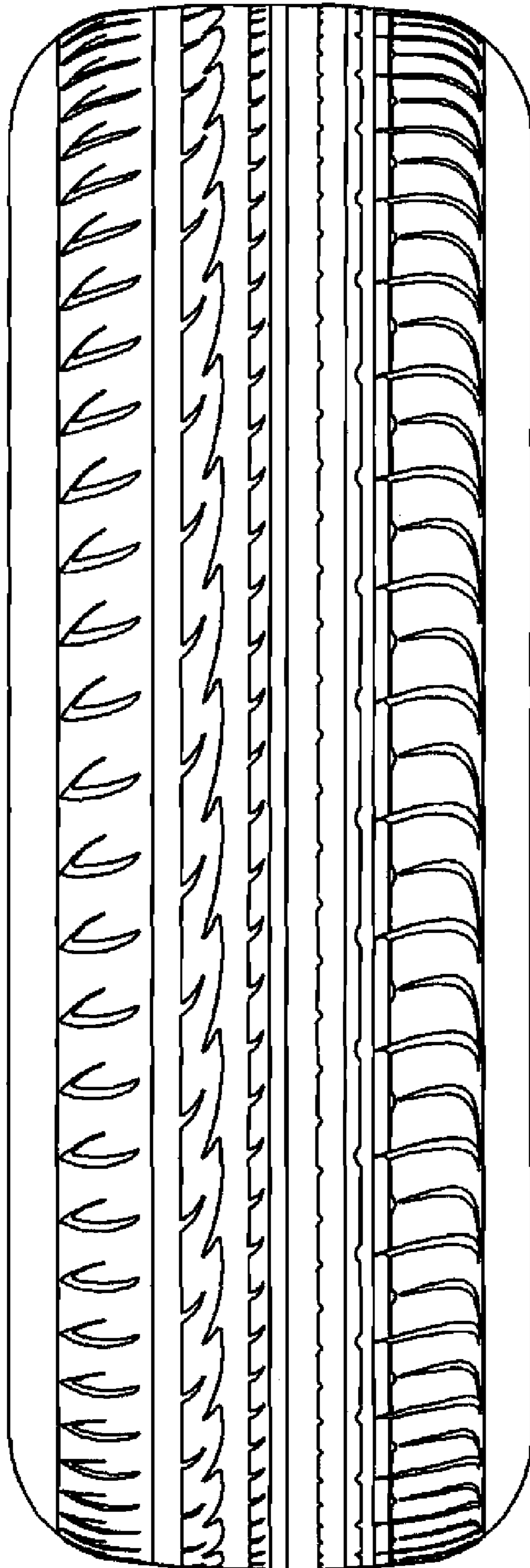


Fig. 3

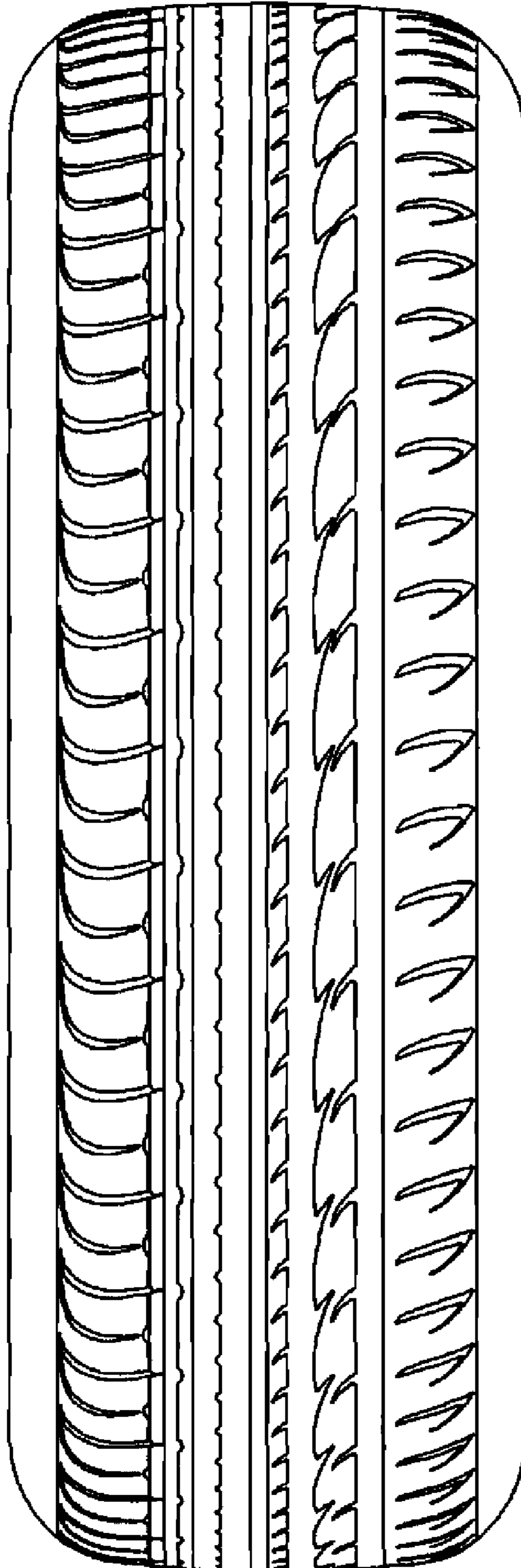


Fig. 4

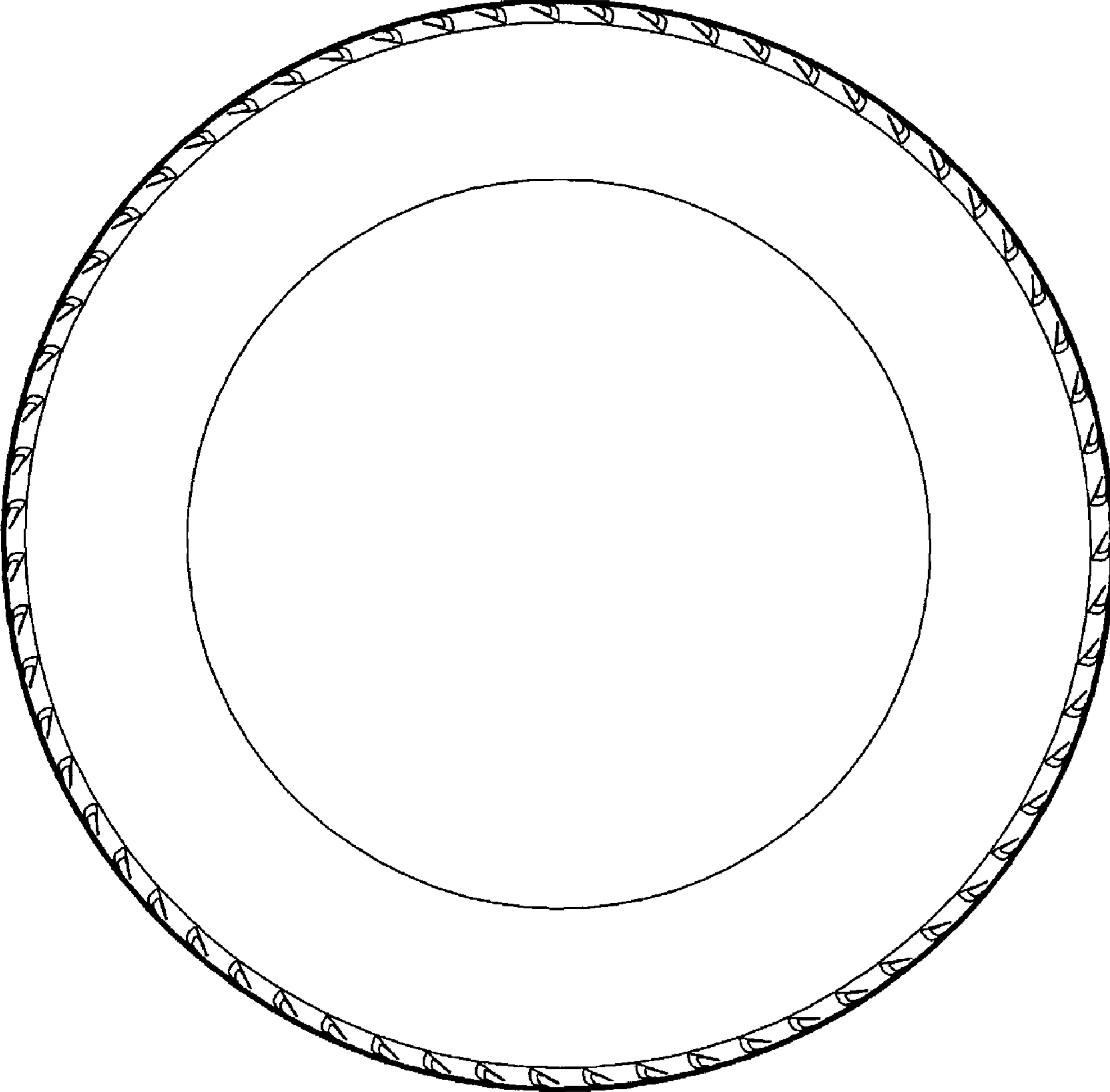




Fig. 5

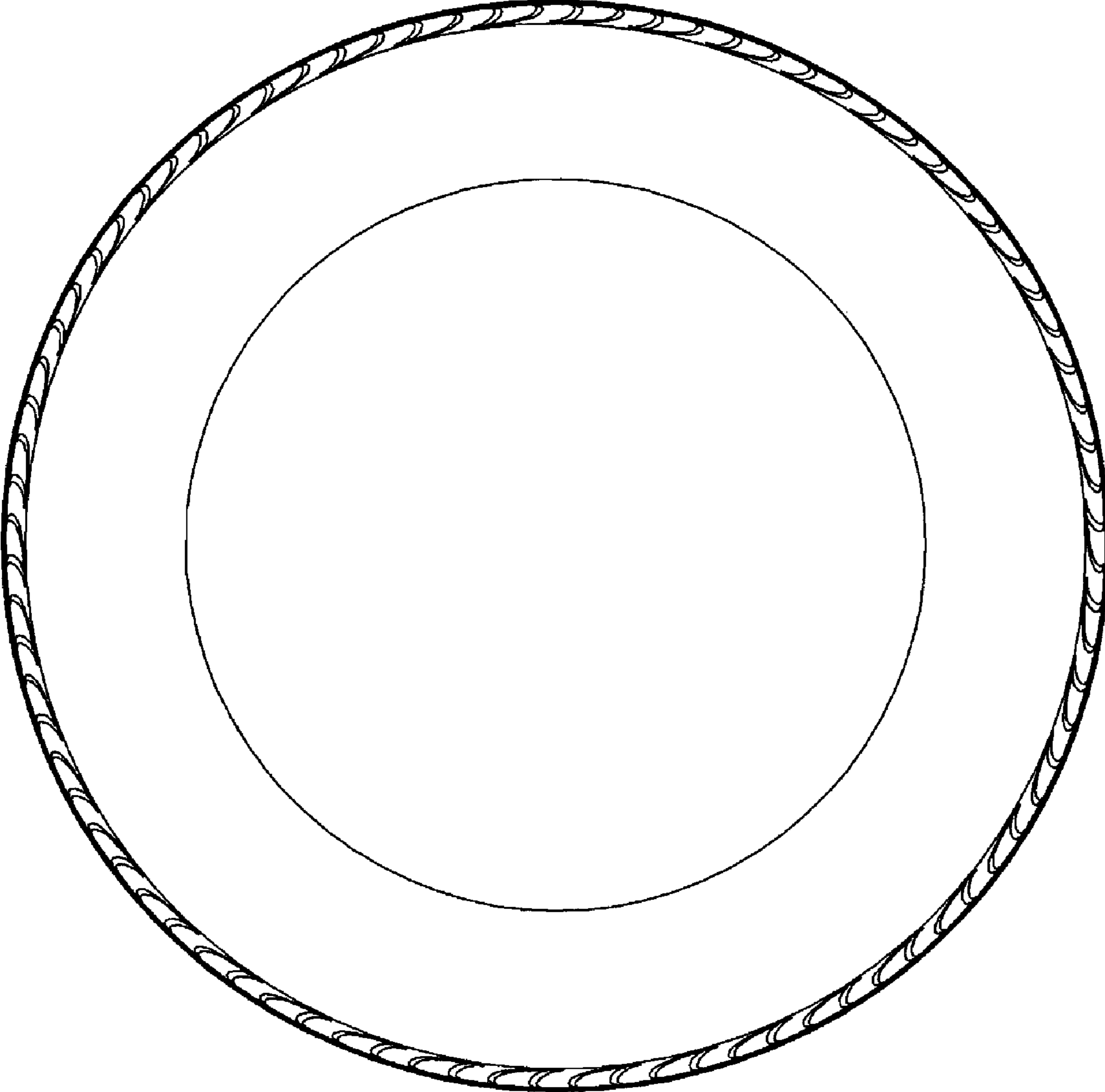


Fig. 6

