



US00D602841S

(12) **United States Design Patent**
Wilhelm

(10) **Patent No.:** **US D602,841 S**
(45) **Date of Patent:** **** Oct. 27, 2009**

(54) **OPERATING CONSOLE FOR AN
AUTOMOBILE**

D508,998 S * 8/2005 Ryan D24/200
D561,077 S * 2/2008 Kato D12/192
D571,280 S * 6/2008 Nakajima et al. D12/415

(75) Inventor: **Anke Wilhelm**, Stuttgart (DE)

(73) Assignee: **Dr. Ing. h.c. F. Porsche
Aktiengesellschaft**, Weissach (DE)

* cited by examiner

Primary Examiner—Caron Veynar
Assistant Examiner—George D Kirschbaum

(**) Term: **14 Years**

(21) Appl. No.: **29/281,416**

(57) **CLAIM**

(22) Filed: **Jun. 22, 2007**

The ornamental design for an operating console for an automobile, as shown and described.

(30) **Foreign Application Priority Data**

Dec. 27, 2006 (DE) 4 06 06 494

DESCRIPTION

(51) **LOC (9) Cl.** **12-16**

(52) **U.S. Cl.** **D12/415**

(58) **Field of Classification Search** D12/192,
D12/415, 418, 400, 195, 190, 416-419, 421-426.1;
D10/102, 98, 122-127, 46; D15/17, 28;
D14/113, 124, 126, 129, 132, 133, 100; 296/190.02,
296/190.03, 190.04, 190.05, 190.06, 190.07,
296/190.08, 190.09, 190, 191, 70, 929, 534;
224/311, 539; 248/309.1; 180/90; 280/750-752;
D23/327; 454/155; 16/110.1; D21/333;
15/28

FIG. 1 is a top perspective view of an operating console for an automobile, showing my new design;

FIG. 2 is a top plan view thereof;

FIG. 3 is a rear perspective view thereof;

FIG. 4 is a left side view, the right side being a mirror image thereof;

FIG. 5 is a bottom perspective view thereof;

FIG. 6 is a perspective bottom view thereof; and,

FIG. 7 is a top perspective view thereof.

See application file for complete search history.

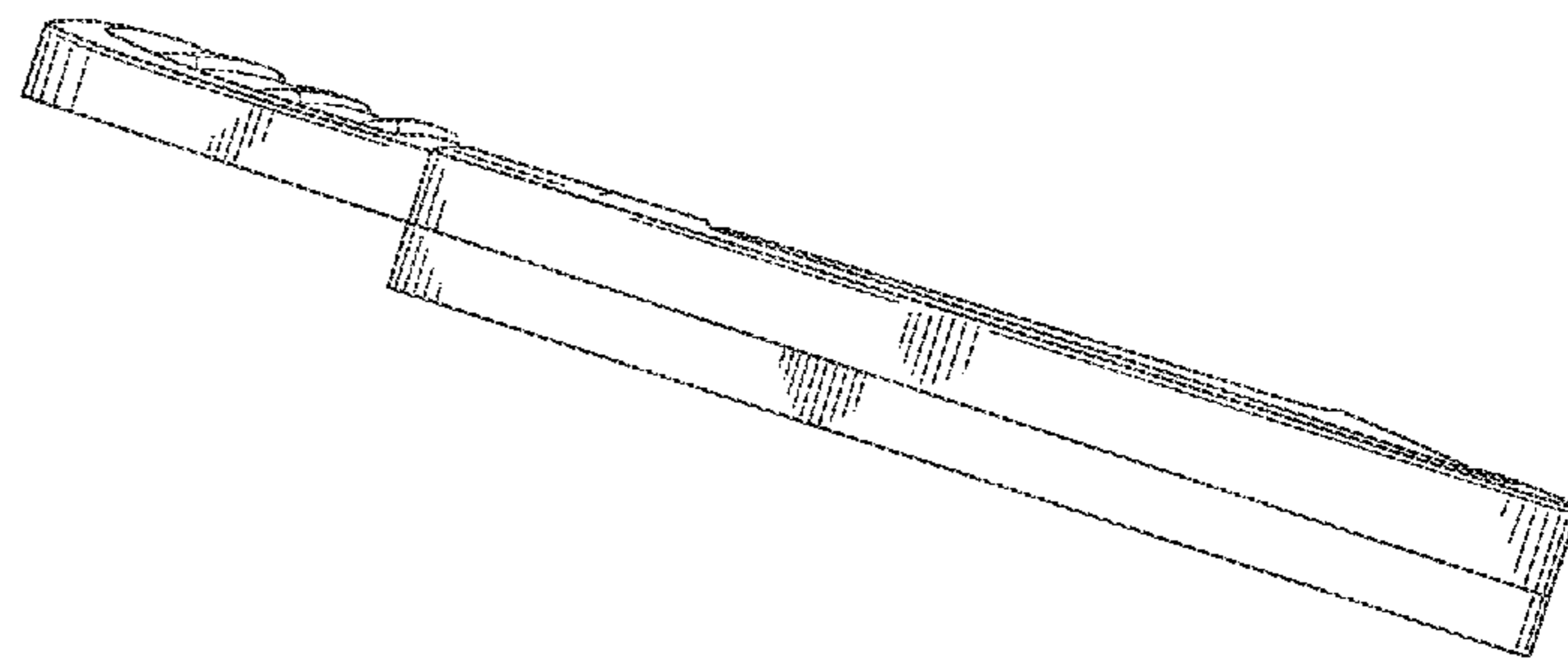
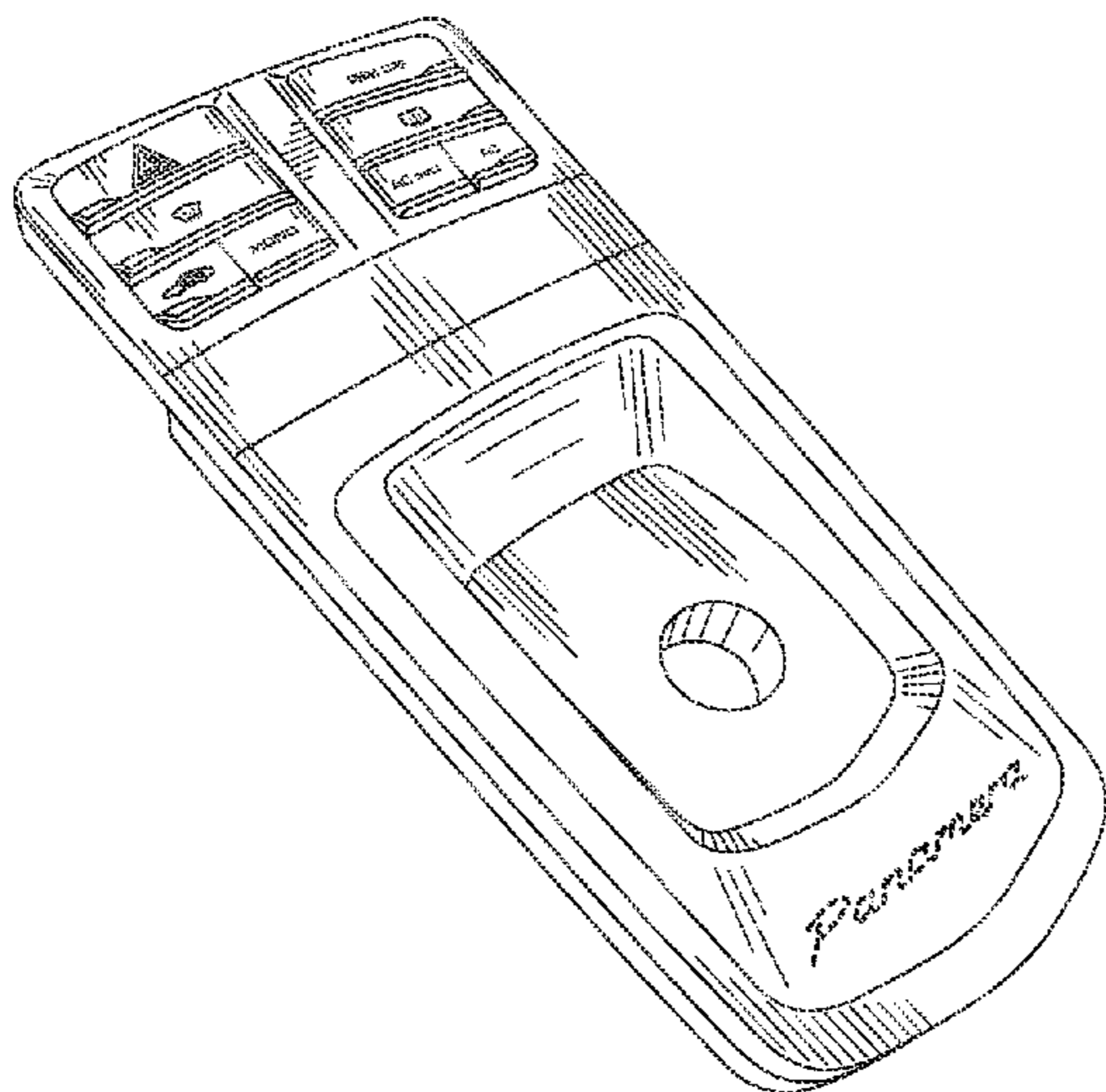
In the drawings, the broken line showing of center console controls depicts environmental subject matter and forms no part of the claim.

(56) **References Cited**

U.S. PATENT DOCUMENTS

D504,372 S * 4/2005 Juraschek D12/192

1 Claim, 4 Drawing Sheets



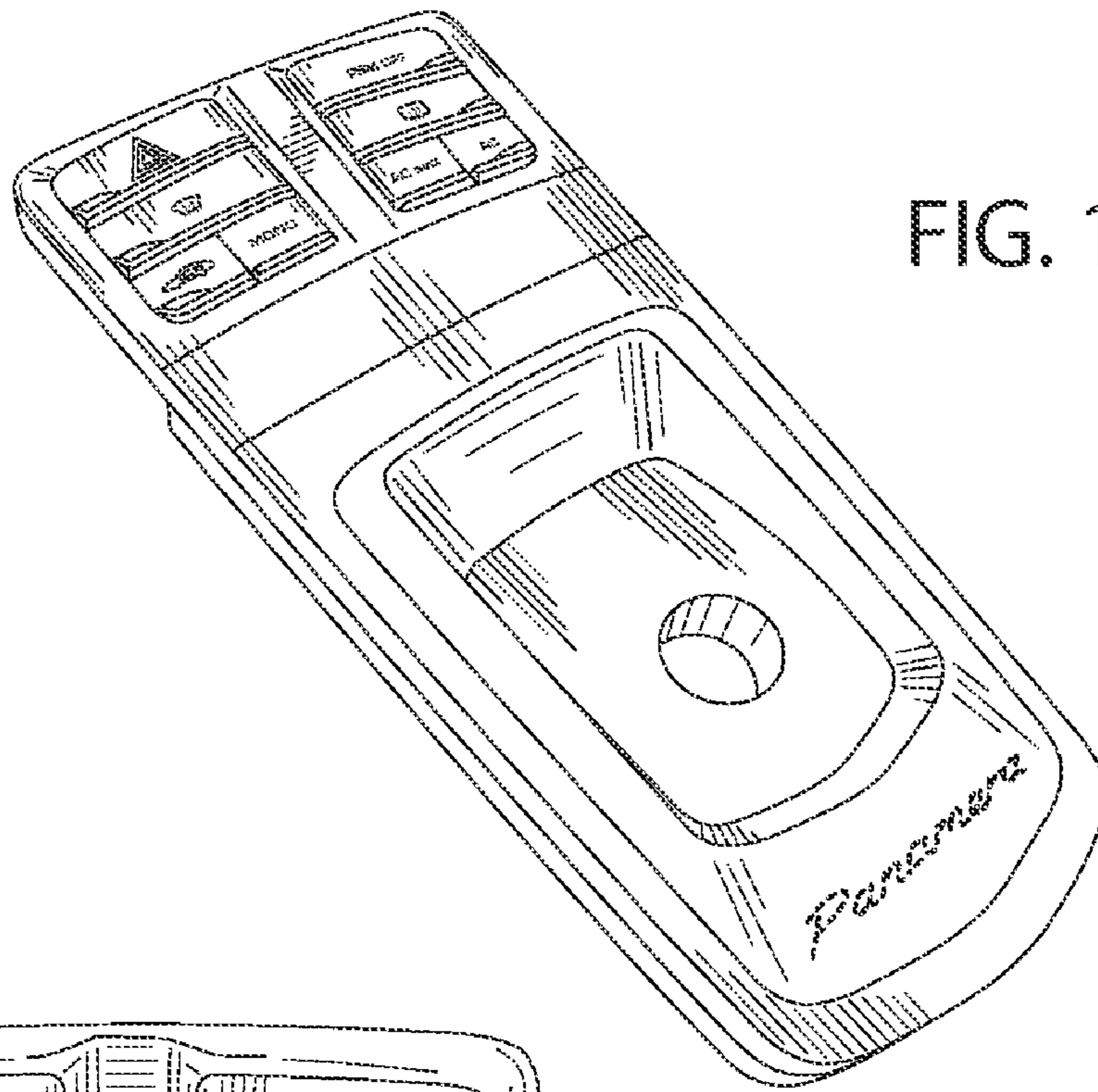


FIG. 1

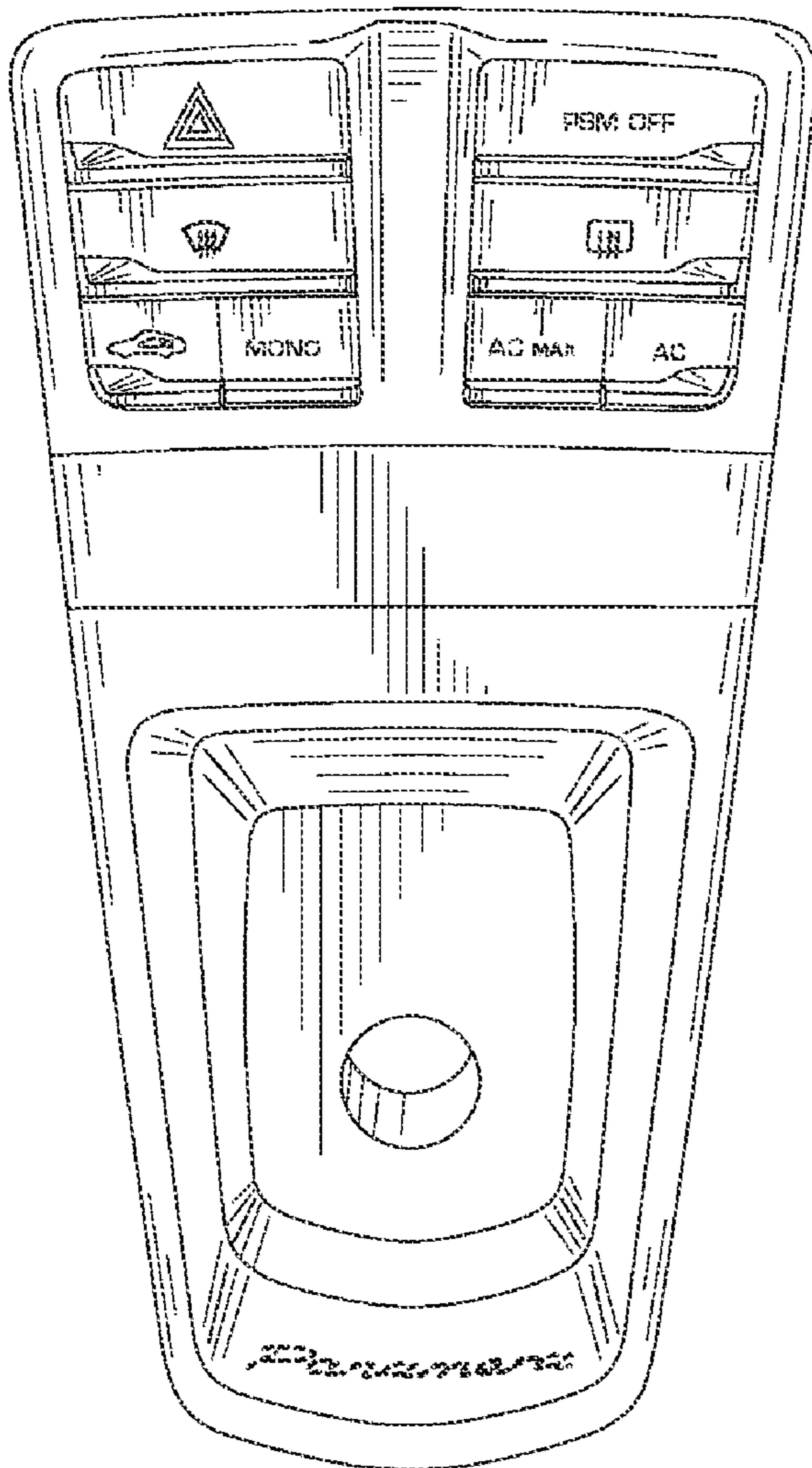


FIG. 2

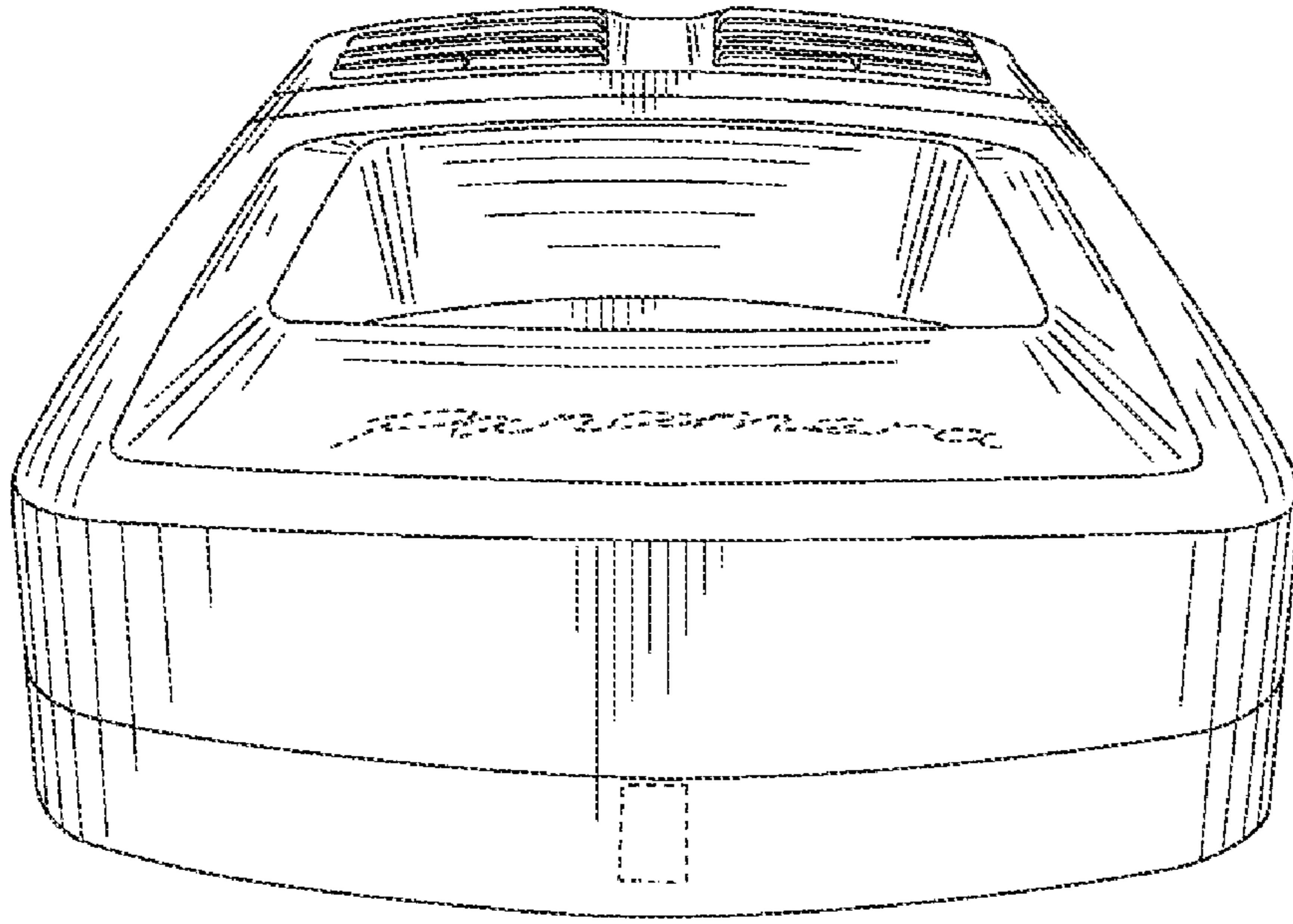


FIG. 3

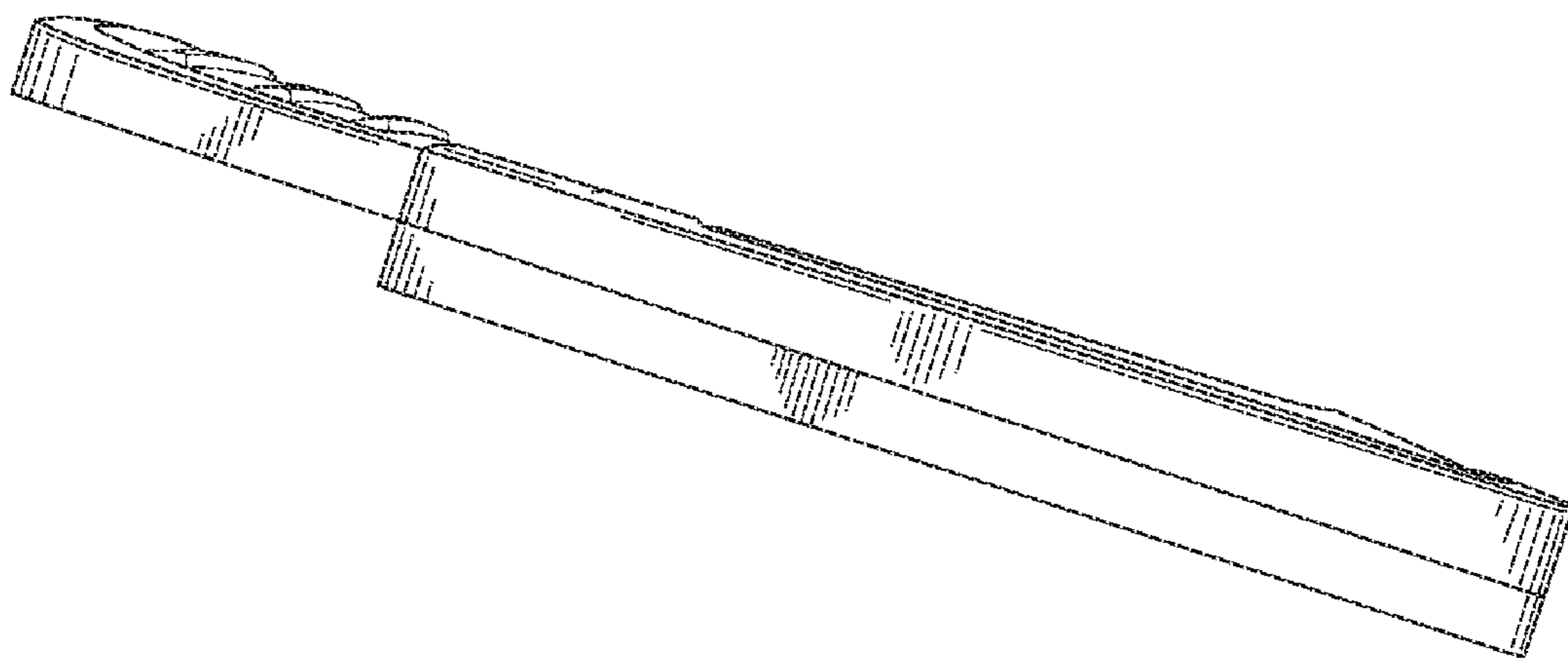


FIG. 4

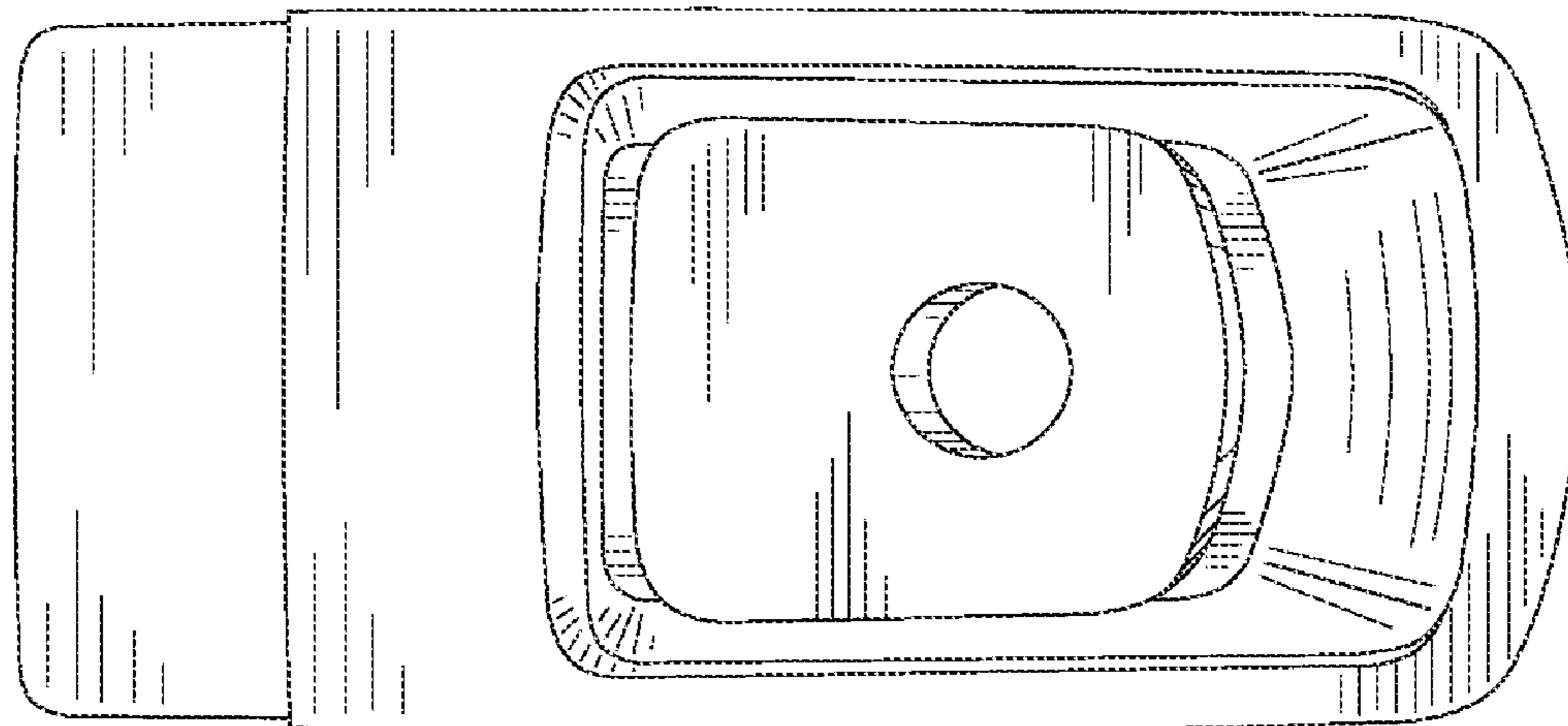


FIG. 5

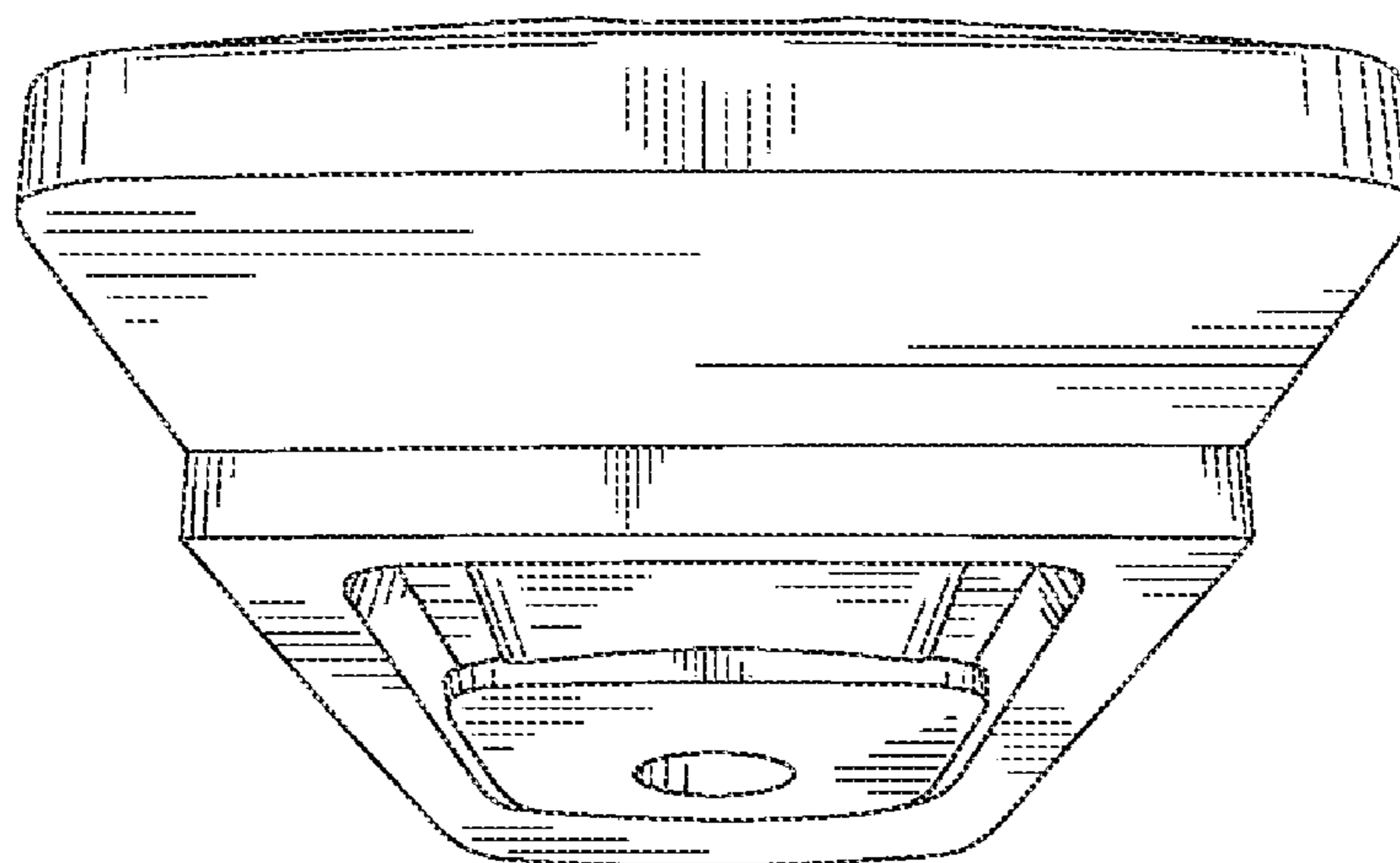


FIG. 6

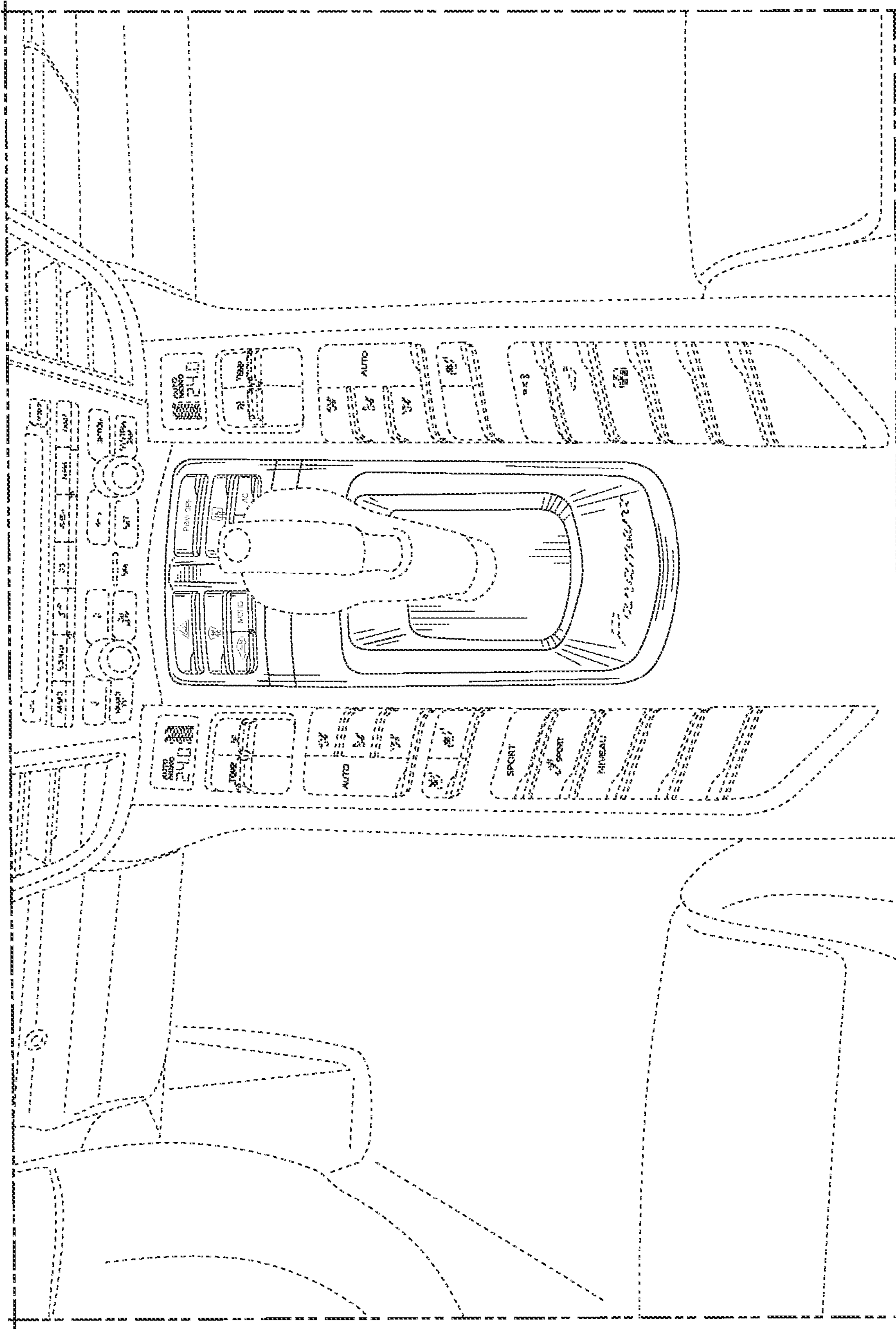


FIG. 7