

US00D602839S

(12) **United States Design Patent**
Carrow

(10) **Patent No.:** **US D602,839 S**

(45) **Date of Patent:** **** Oct. 27, 2009**

(54) **AUTOMOBILE HEAT PAD**

(76) **Inventor:** **Sandra G. Carrow**, 217 Kinkade Rd.,
Boardman, OR (US) 97818

(**) **Term:** **14 Years**

(21) **Appl. No.:** **29/292,309**

(22) **Filed:** **Oct. 5, 2007**

Related U.S. Application Data

(63) Continuation-in-part of application No. 29/215,920,
filed on Oct. 27, 2004, now abandoned.

(51) **LOC (9) Cl.** **12-16**

(52) **U.S. Cl.** **D12/401**

(58) **Field of Classification Search** D12/401;
D6/374, 582-583, 595-596, 601, 603; 128/869,
128/870, 872; 219/200, 202-209, 212, 217,
219/527-529; 297/219.1, 284.4; 5/420,
5/941

See application file for complete search history.

(56) **References Cited**

U.S. PATENT DOCUMENTS

1,327,891 A * 1/1920 Upson 165/98
3,874,437 A * 4/1975 Black 160/370.21
D307,347 S * 4/1990 Gibson D34/35

D312,237 S * 11/1990 Avery D12/190
D331,211 S * 11/1992 Harris D12/401
D364,846 S * 12/1995 Kelsey et al. D12/401
D365,640 S * 12/1995 Doyle et al. D24/206
D393,828 S * 4/1998 Threats, Sr. D12/401
6,011,244 A * 1/2000 Castle et al. 219/522
2003/0019859 A1 * 1/2003 Sol 219/203
2003/0146199 A1 * 8/2003 Sol et al. 219/203
2003/0226627 A1 * 12/2003 Clark 150/166

* cited by examiner

Primary Examiner—Caron Veynar

Assistant Examiner—Katrina A Kile

(74) *Attorney, Agent, or Firm*—Raymond M. Galasso;
Galasso & Associates LP

(57) **CLAIM**

The ornamental design for an automobile heat pad, as shown
and described.

DESCRIPTION

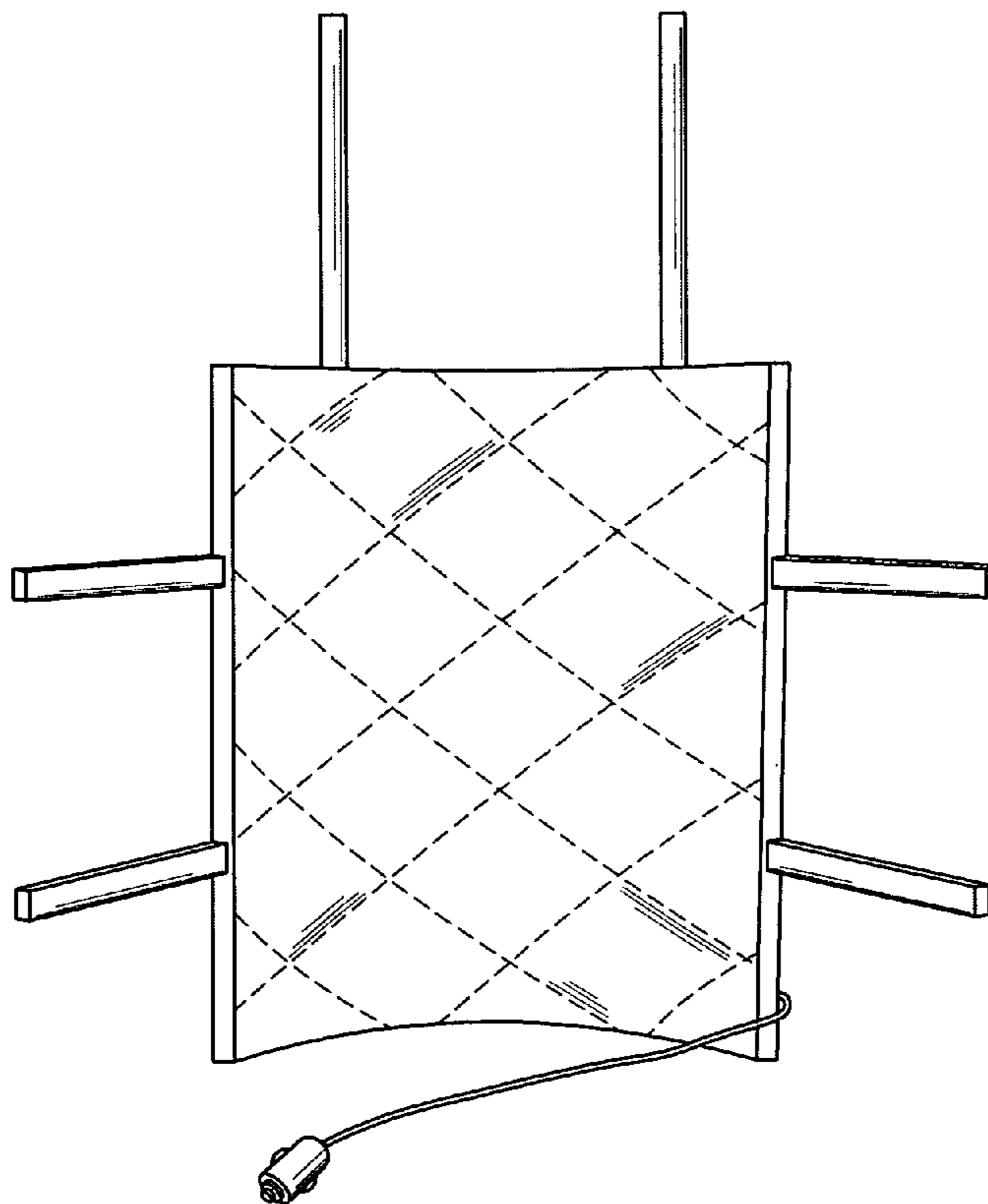
FIG. 1 is a perspective front view depicting an automobile
heat pad, as disclosed herein;

FIG. 2 is a perspective top view;

FIG. 3 is a perspective side view; and,

FIG. 4 is a perspective bottom view.

1 Claim, 4 Drawing Sheets



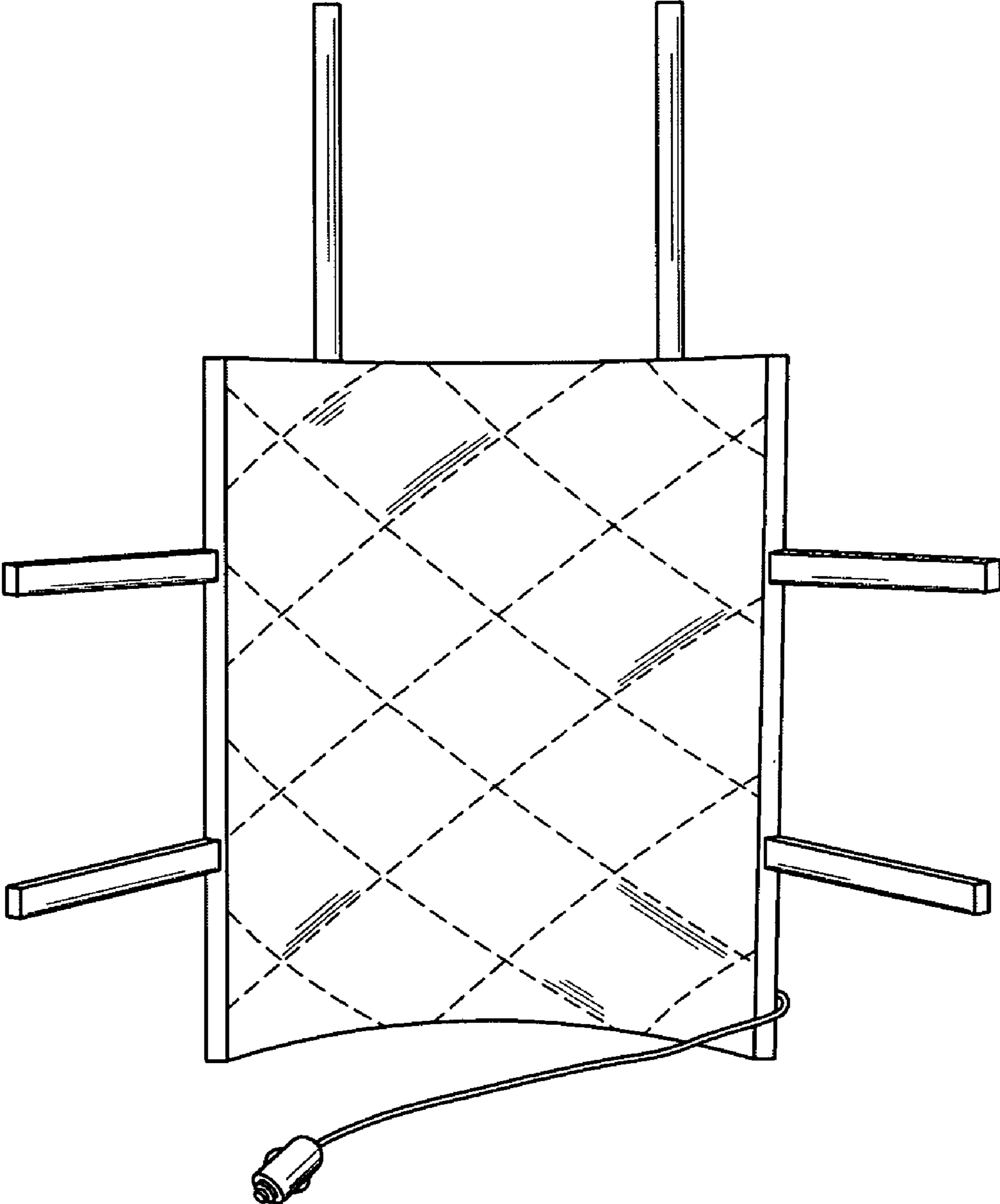


FIG. 1

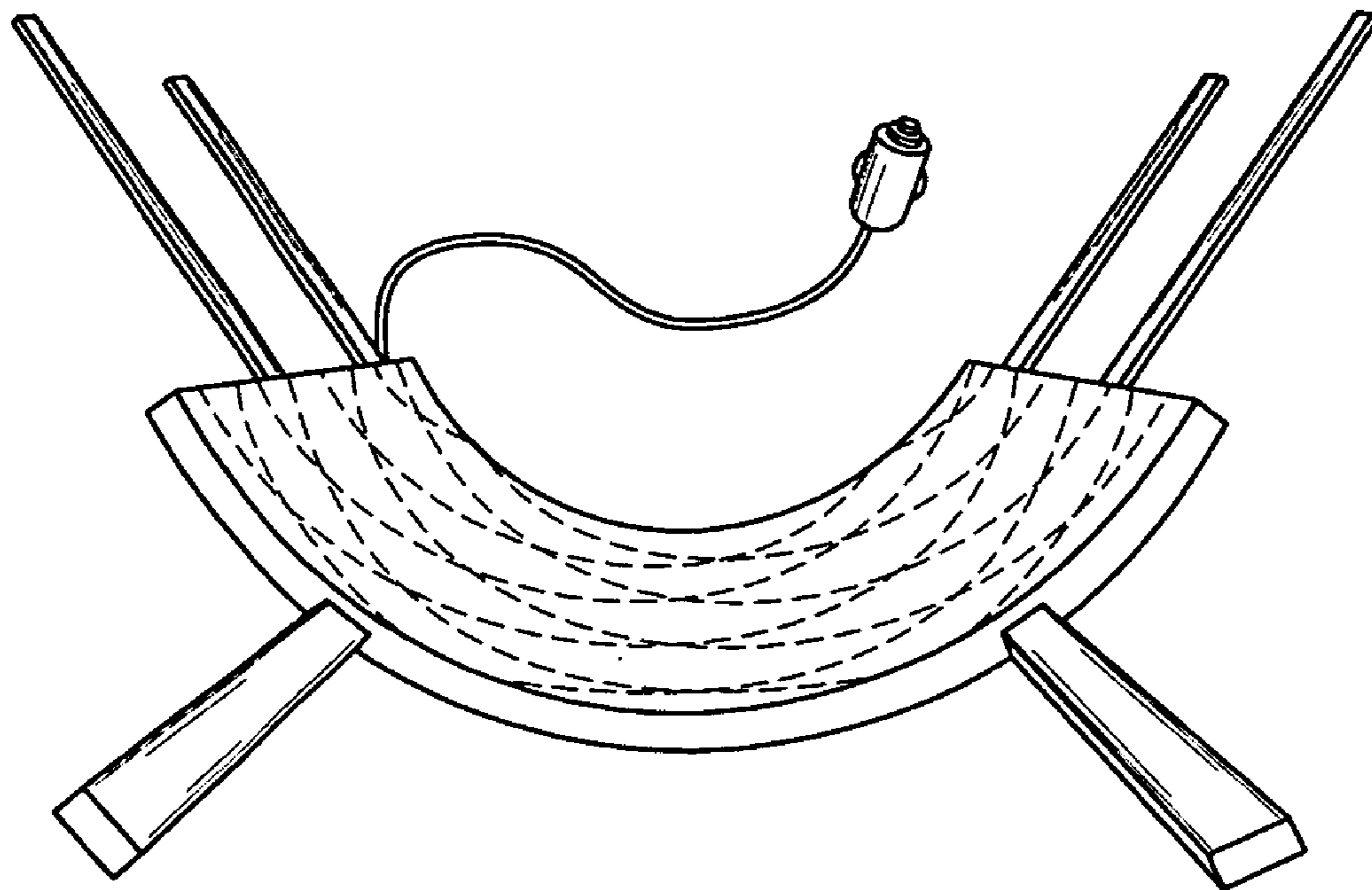


FIG. 2

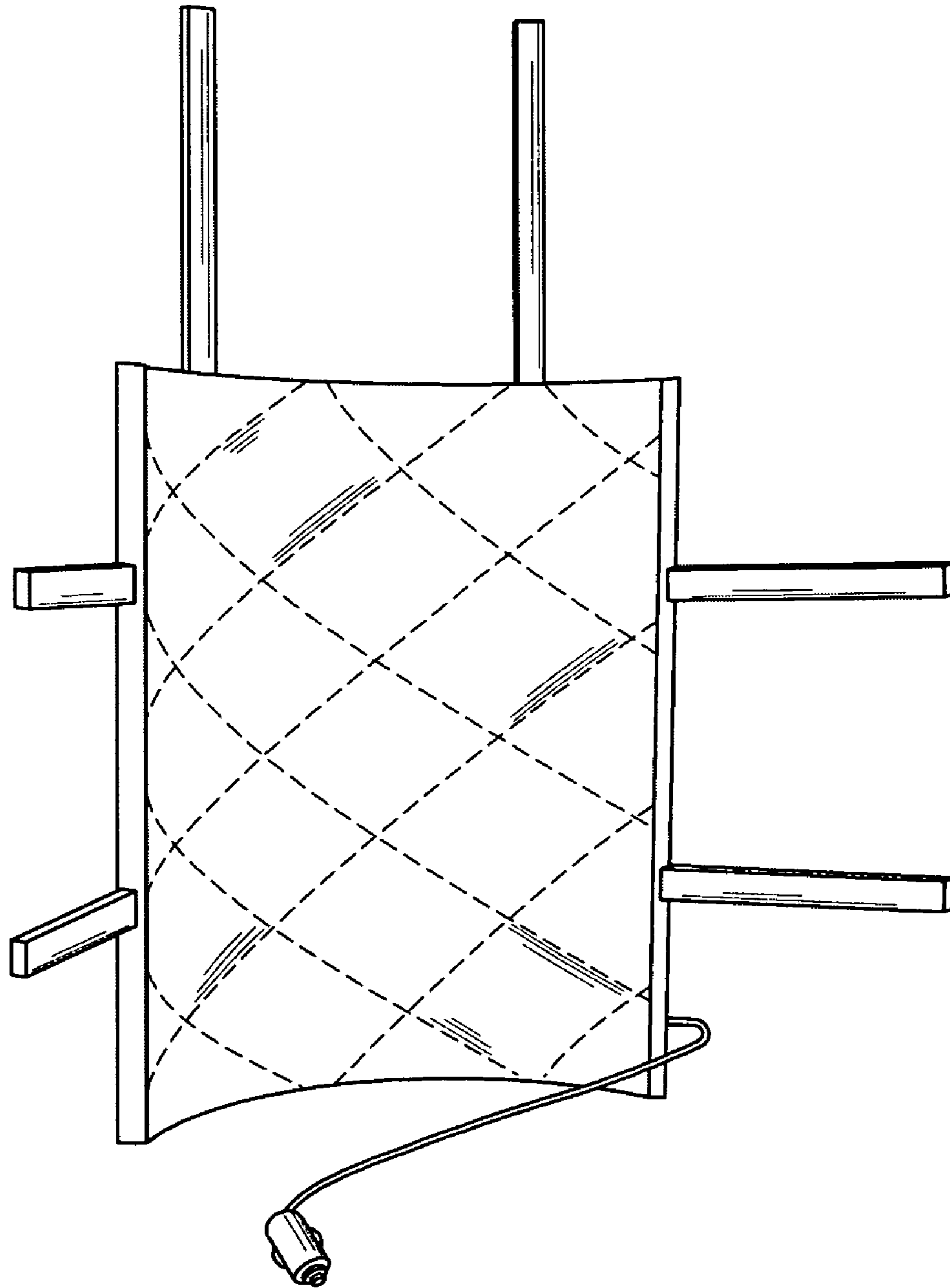


FIG. 3

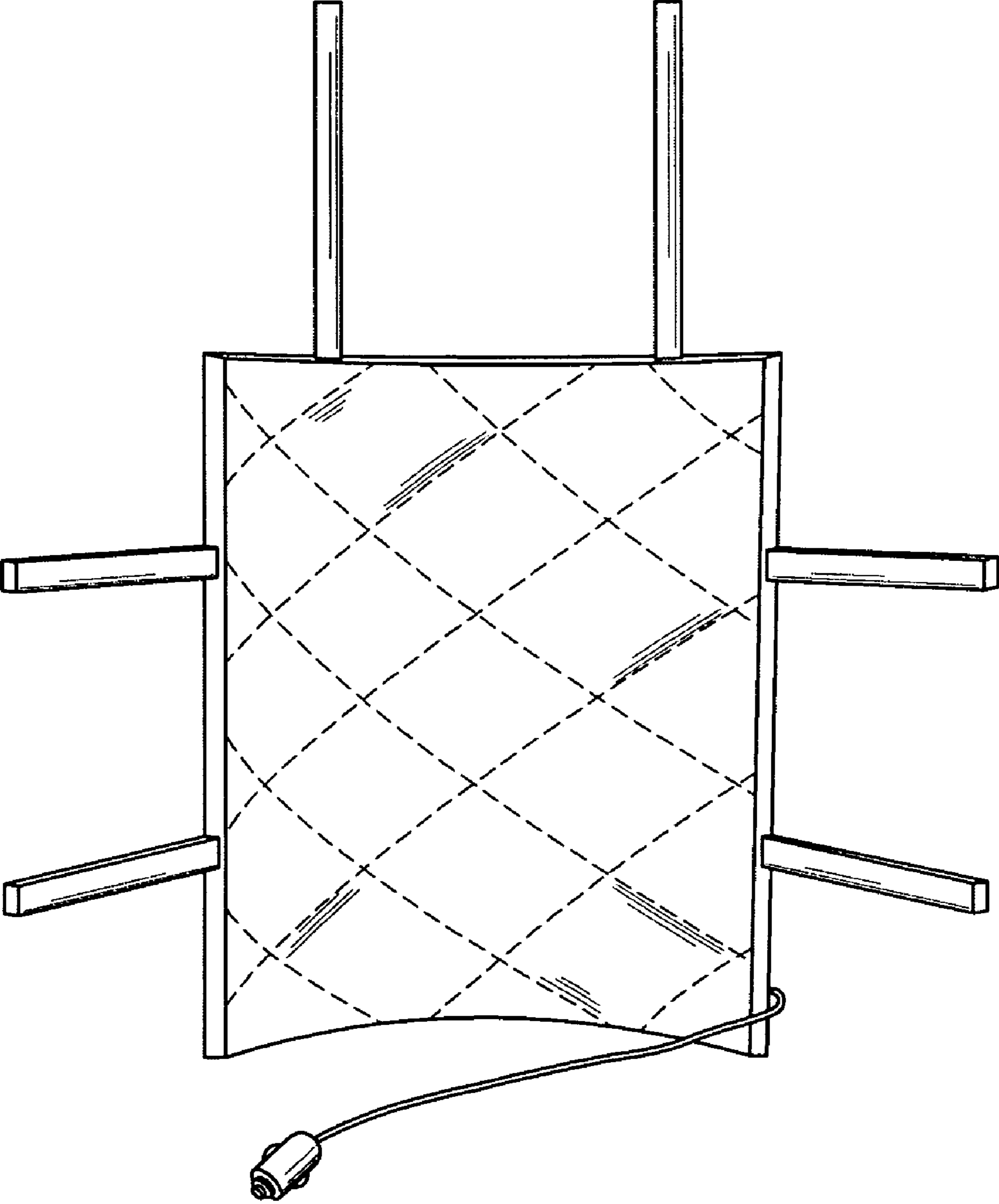


FIG. 4