



US00D602837S

(12) **United States Design Patent**
Aoki

(10) **Patent No.:** **US D602,837 S**

(45) **Date of Patent:** **** Oct. 27, 2009**

(54) **AIR-BAG STORAGE COVER ATTACHMENT**

(75) Inventor: **Ryou Aoki**, Kanagawa-ken (JP)

(73) Assignee: **Piolax, Inc.**, Yokohama-shi,
Kanagawa-ken (JP)

(**) Term: **14 Years**

(21) Appl. No.: **29/290,759**

(22) Filed: **Jan. 10, 2008**

(30) **Foreign Application Priority Data**

Oct. 12, 2007 (JP) 2007-027938

(51) **LOC (9) Cl.** **12-16**

(52) **U.S. Cl.** **D12/400**

(58) **Field of Classification Search** D12/400,
D12/415, 421, 178, 179, 190, 196, 223, 93,
D12/100; 224/923; D6/552; 211/100; D8/14,
D8/300, 303, 89, 307, 313, 314-320; 296/146.1;
16/110.1, 436; 294/15, 19.1

See application file for complete search history.

(56) **References Cited**

U.S. PATENT DOCUMENTS

D304,921 S *	12/1989	Castagna	D12/190
6,234,523 B1 *	5/2001	Tokoro et al.	280/737
7,390,019 B2 *	6/2008	Gotoh et al.	280/741
2003/0151241 A1 *	8/2003	Matsuda et al.	280/736
2004/0212209 A1 *	10/2004	Vitoorapakorn et al.	296/39.2
2005/0035581 A1 *	2/2005	Katsuda et al.	280/741
2008/0023948 A1 *	1/2008	Kitayama et al.	280/736

2009/0020996 A1* 1/2009 Geibel et al. 280/777

* cited by examiner

Primary Examiner—Caron Veynar

Assistant Examiner—Katrina A Kile

(74) *Attorney, Agent, or Firm*—McGinn IP Law Group,
PLLC

(57) **CLAIM**

The ornamental design for an air-bag storage cover attachment, as shown and described.

DESCRIPTION

FIG. 1 is a perspective reference view of the front, right side and top of an air-bag storage cover attachment showing my new design;

FIG. 2 is a front view thereof;

FIG. 3 is a left side view thereof;

FIG. 4 is a right side view thereof;

FIG. 5 is a top plan view thereof;

FIG. 6 is a bottom view thereof;

FIG. 7 is a front view thereof;

FIG. 8 is a left side view thereof;

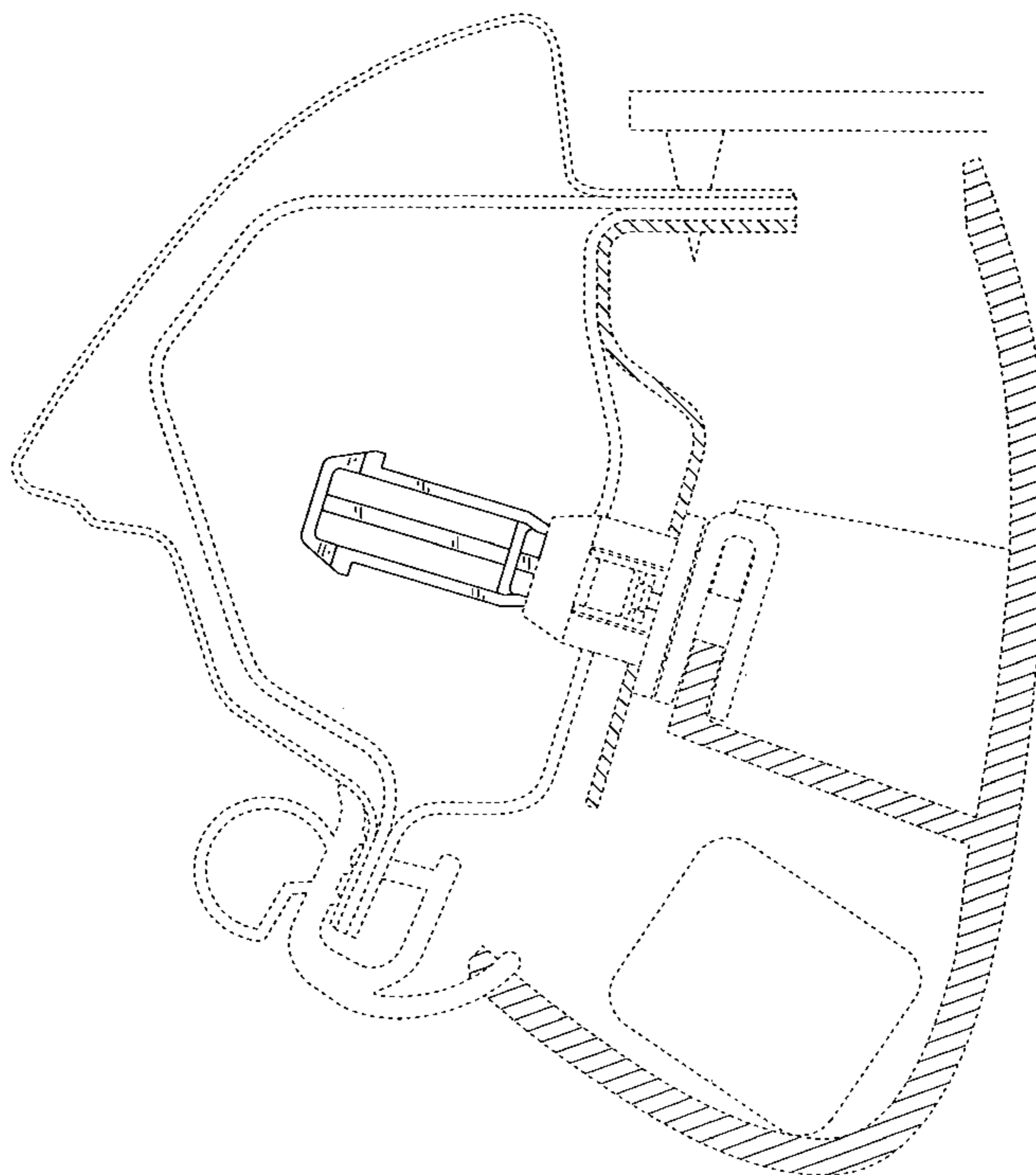
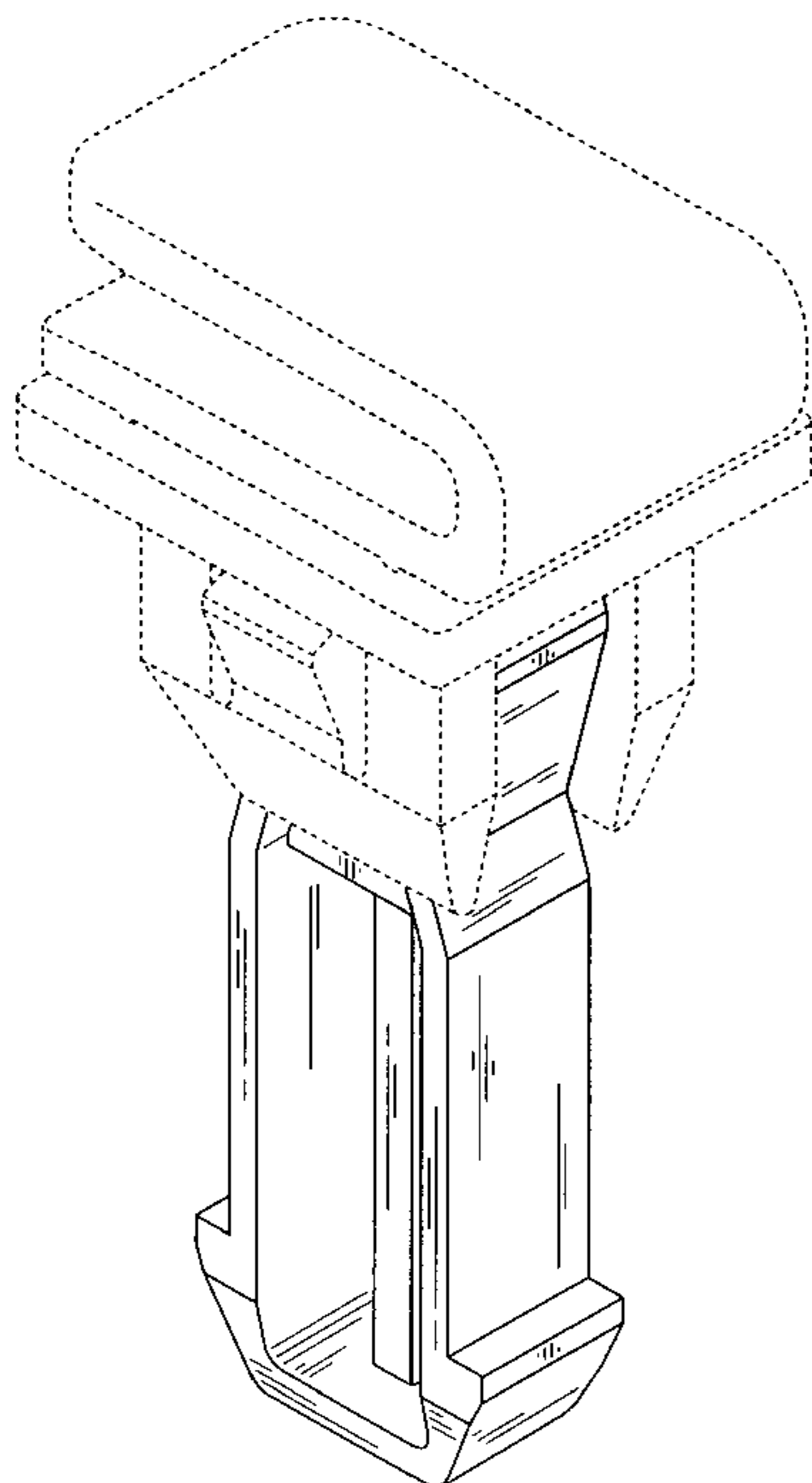
FIG. 9 is a right side view thereof;

FIG. 10 is a bottom view thereof; and,

FIG. 11 is a front view thereof.

In the drawings, the broken lines depict elements of a vehicle and air-bag only and form no part of the claimed design.

1 Claim, 8 Drawing Sheets



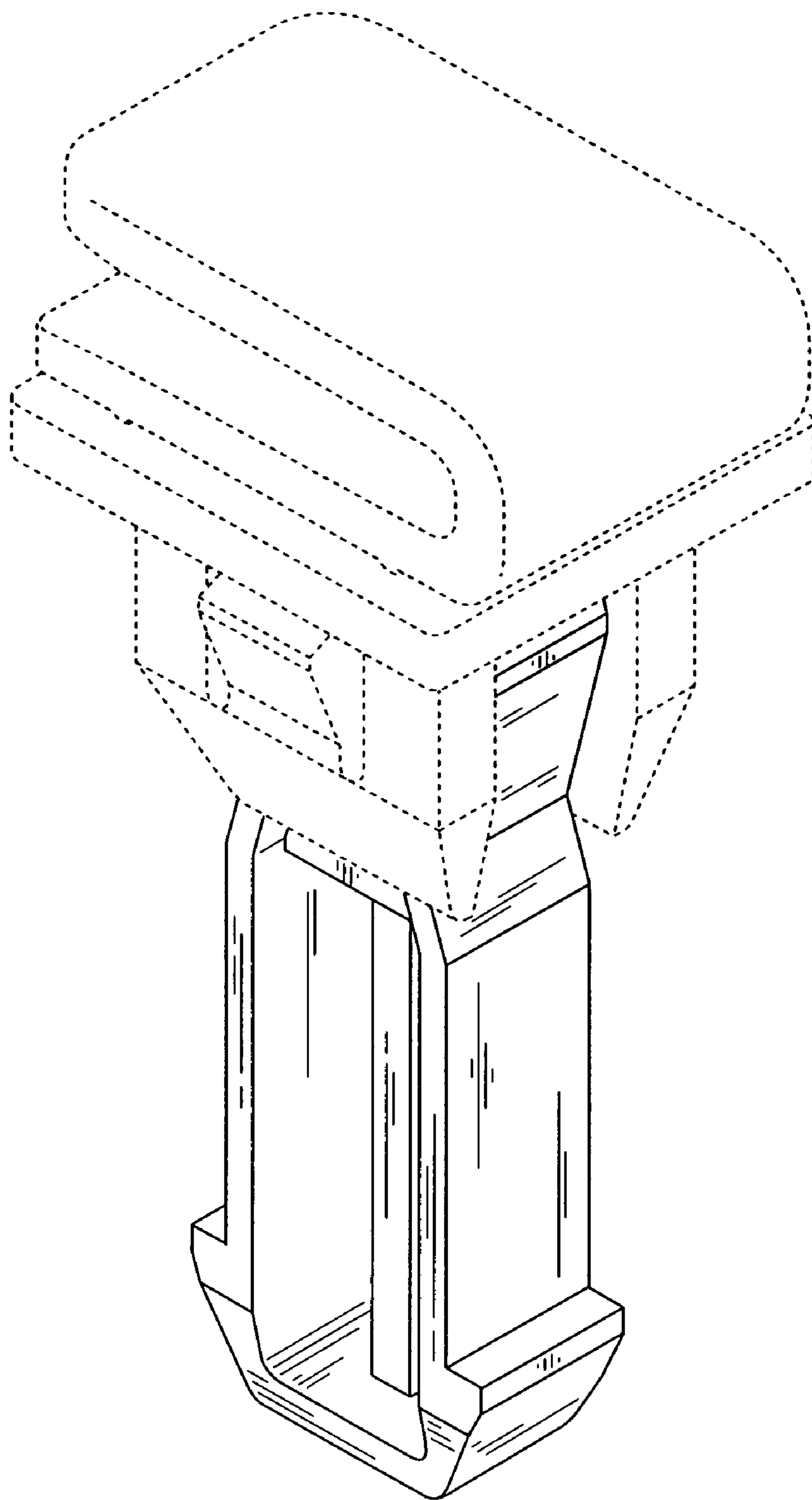


FIG. 1

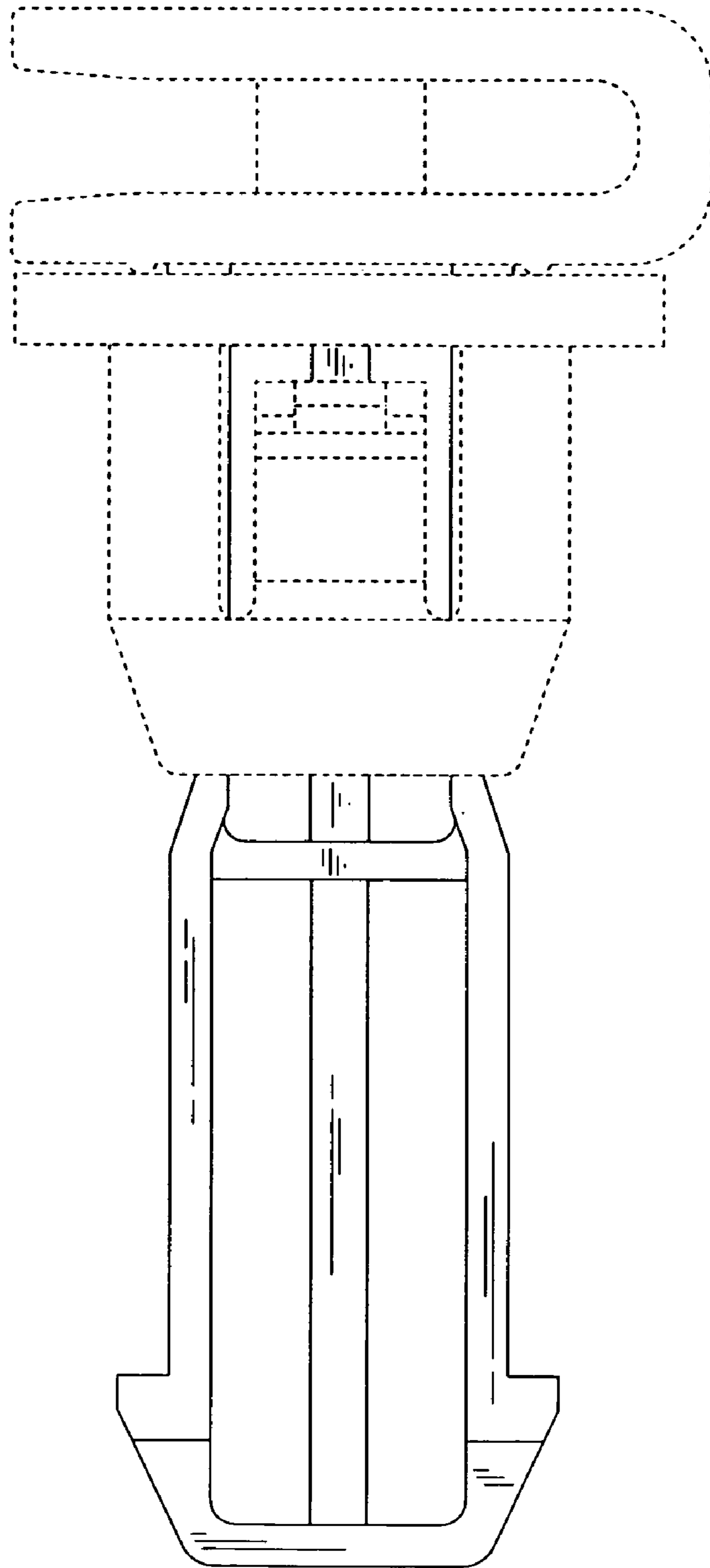


FIG. 2

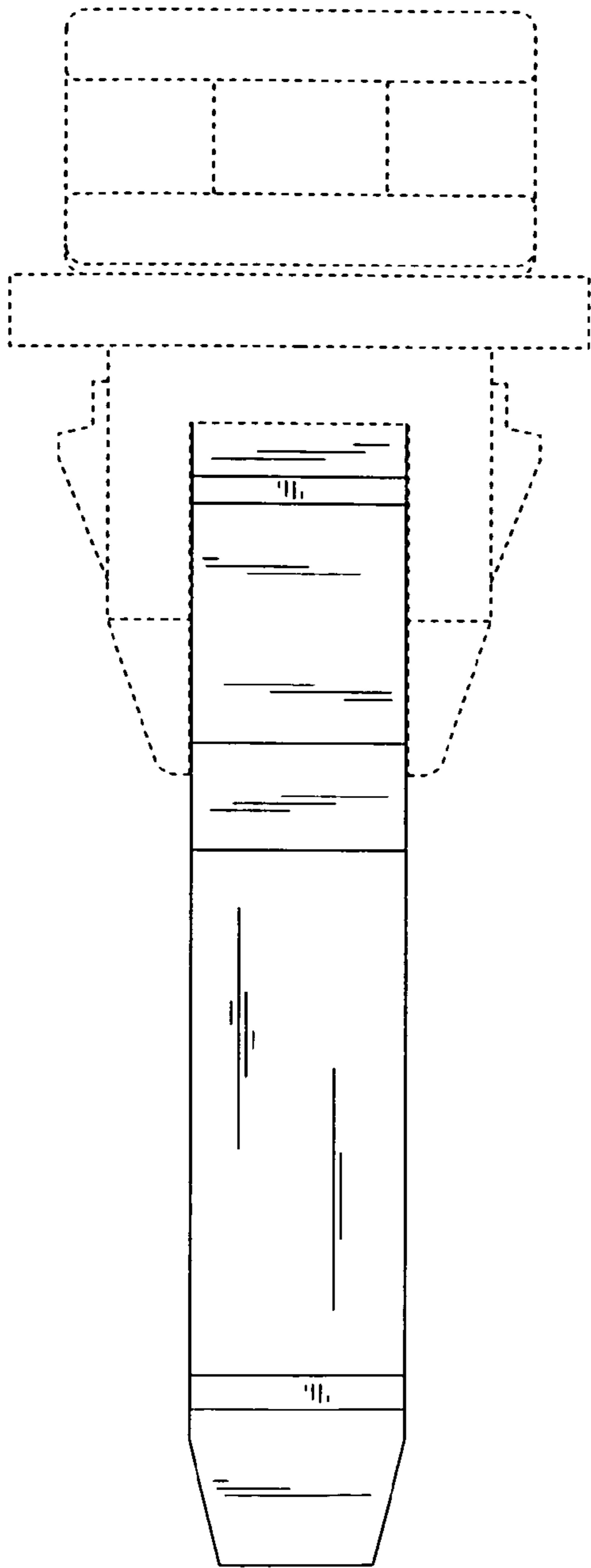


FIG. 3

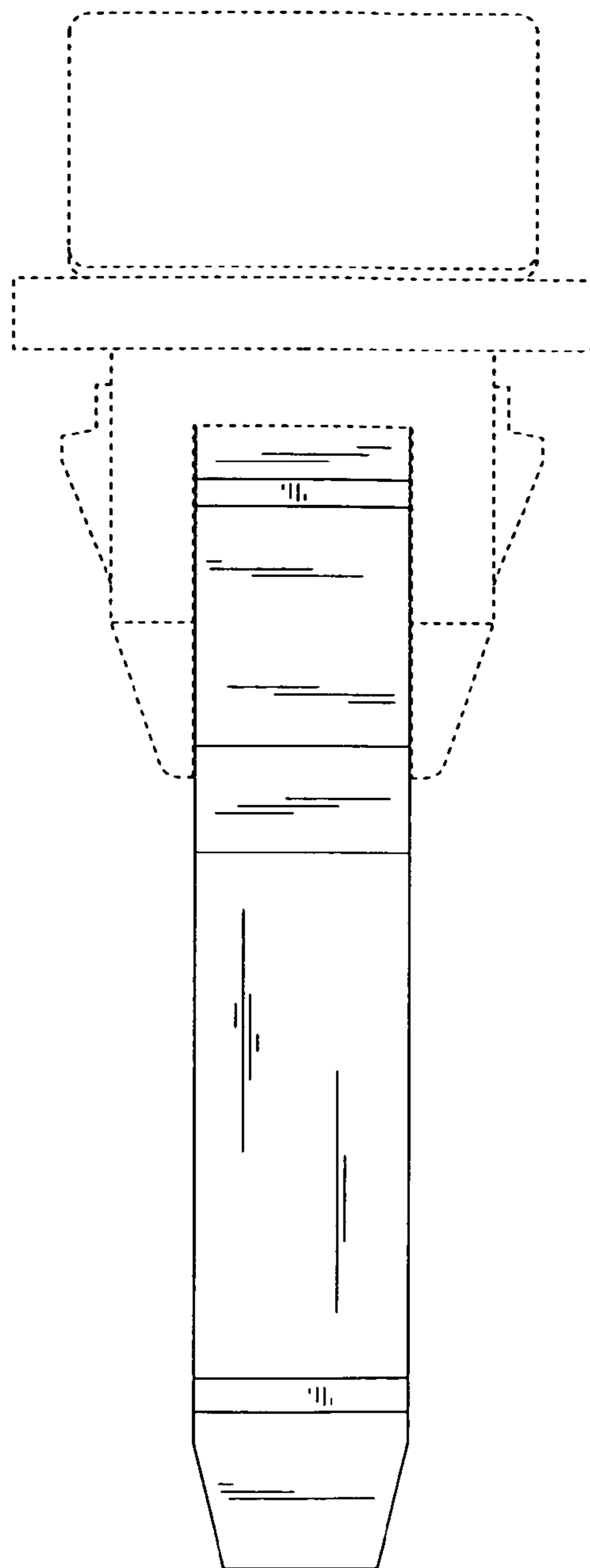


FIG. 4

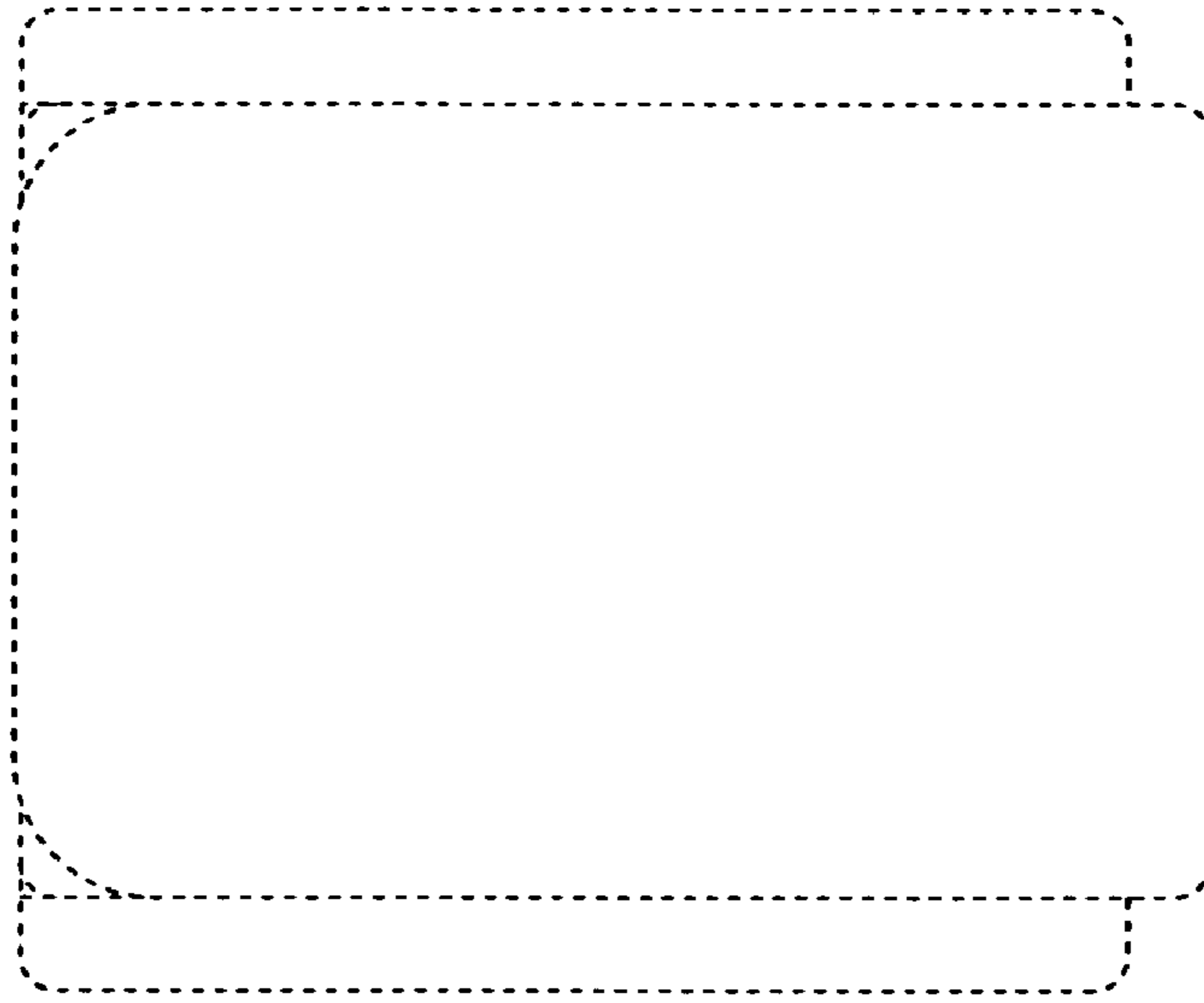


FIG. 5

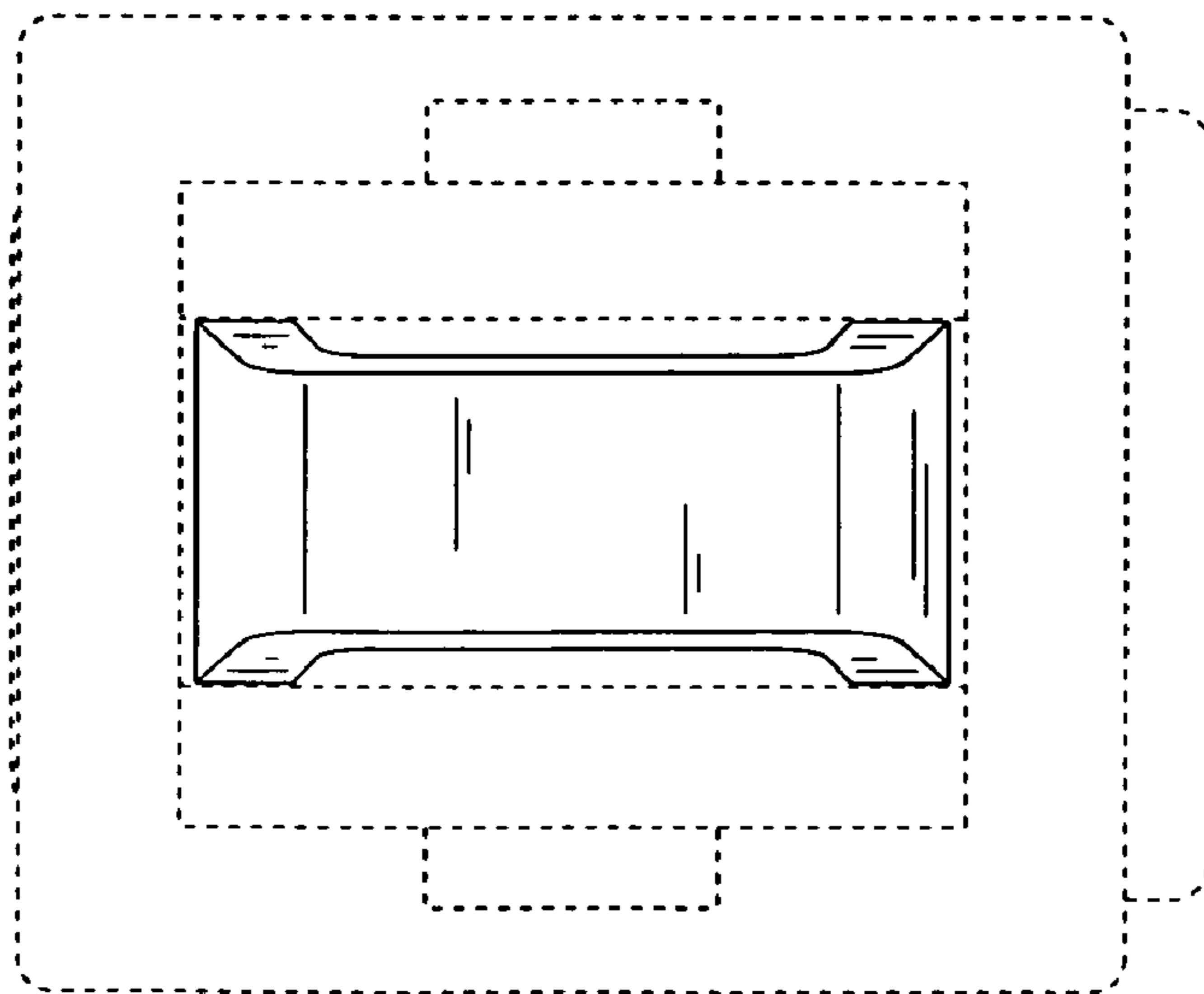


FIG. 6

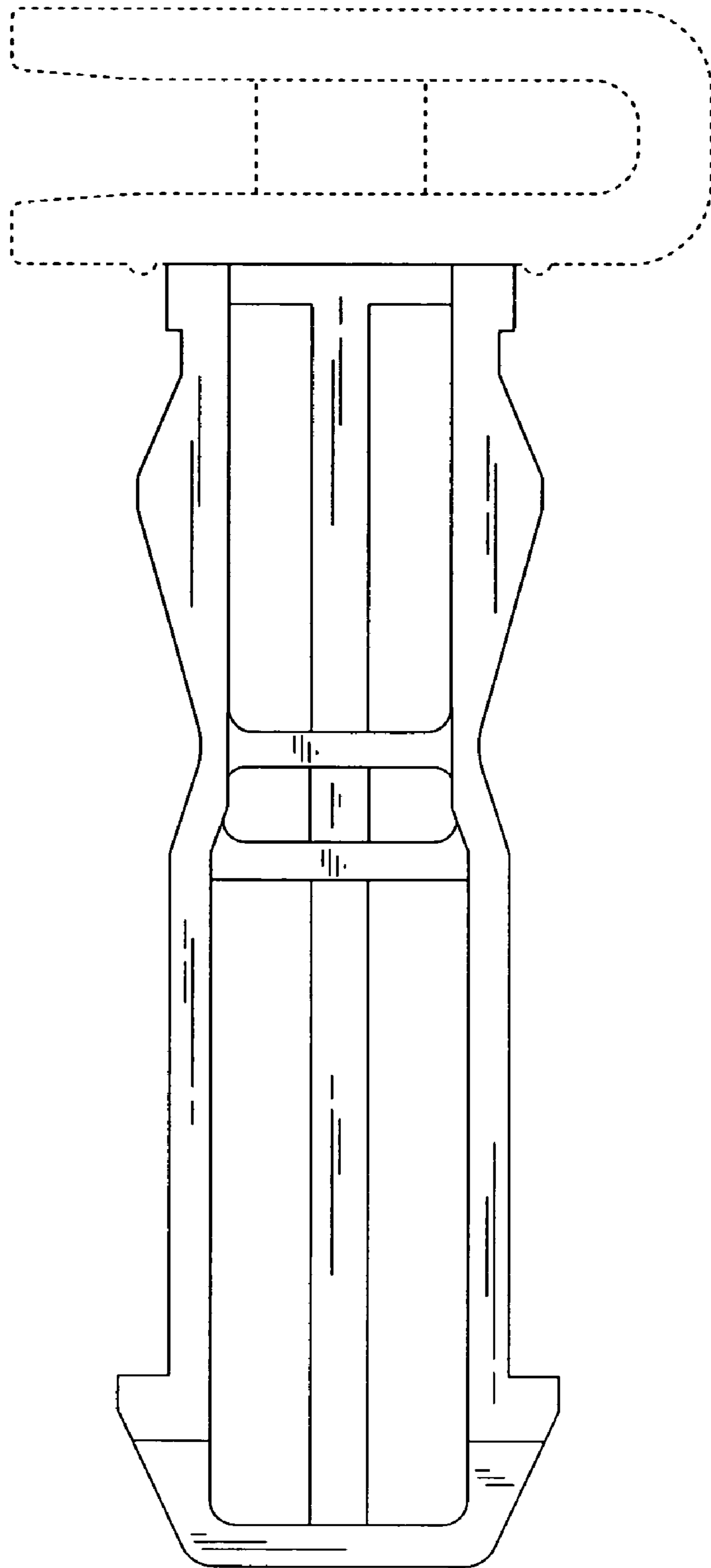


FIG. 7

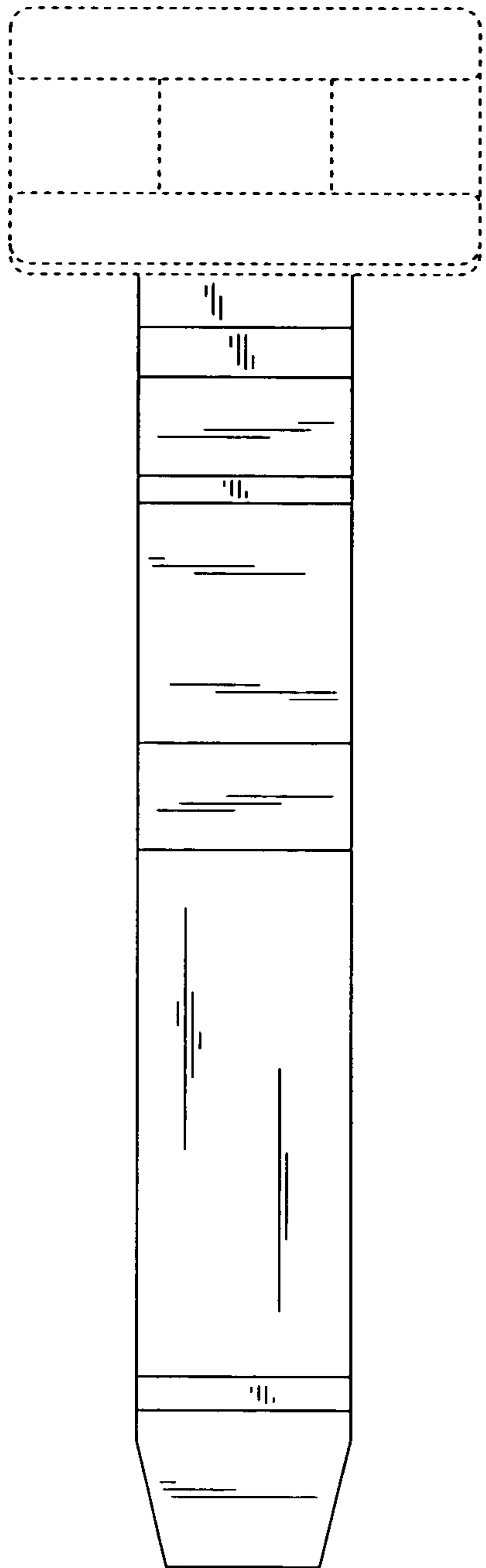


FIG. 8

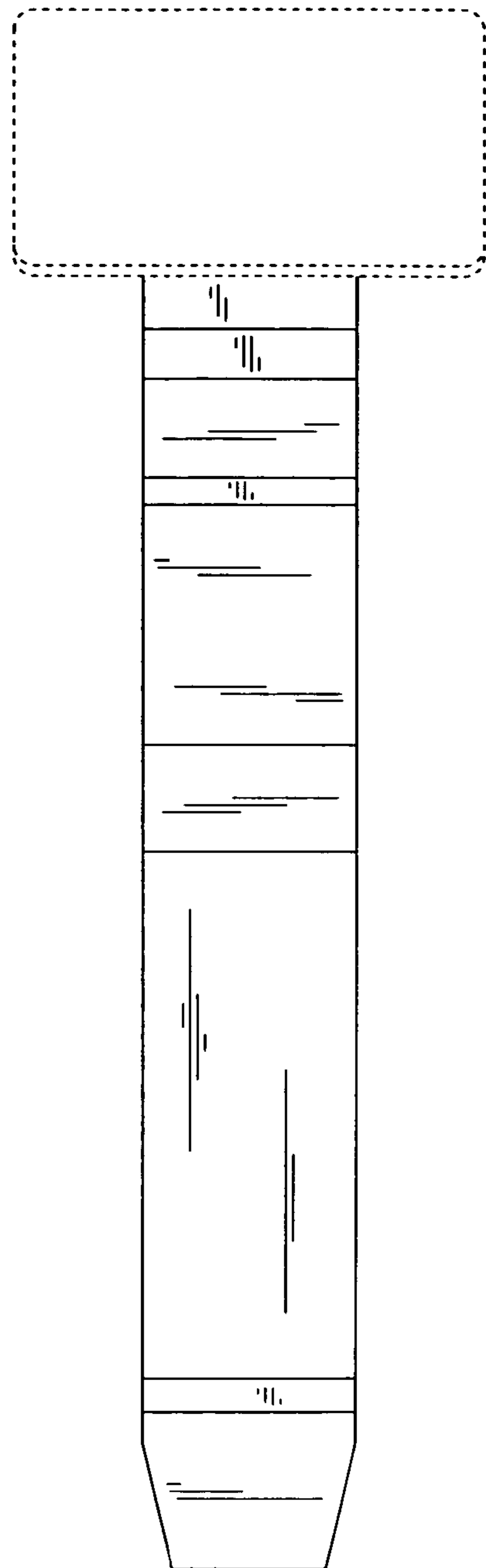


FIG. 9

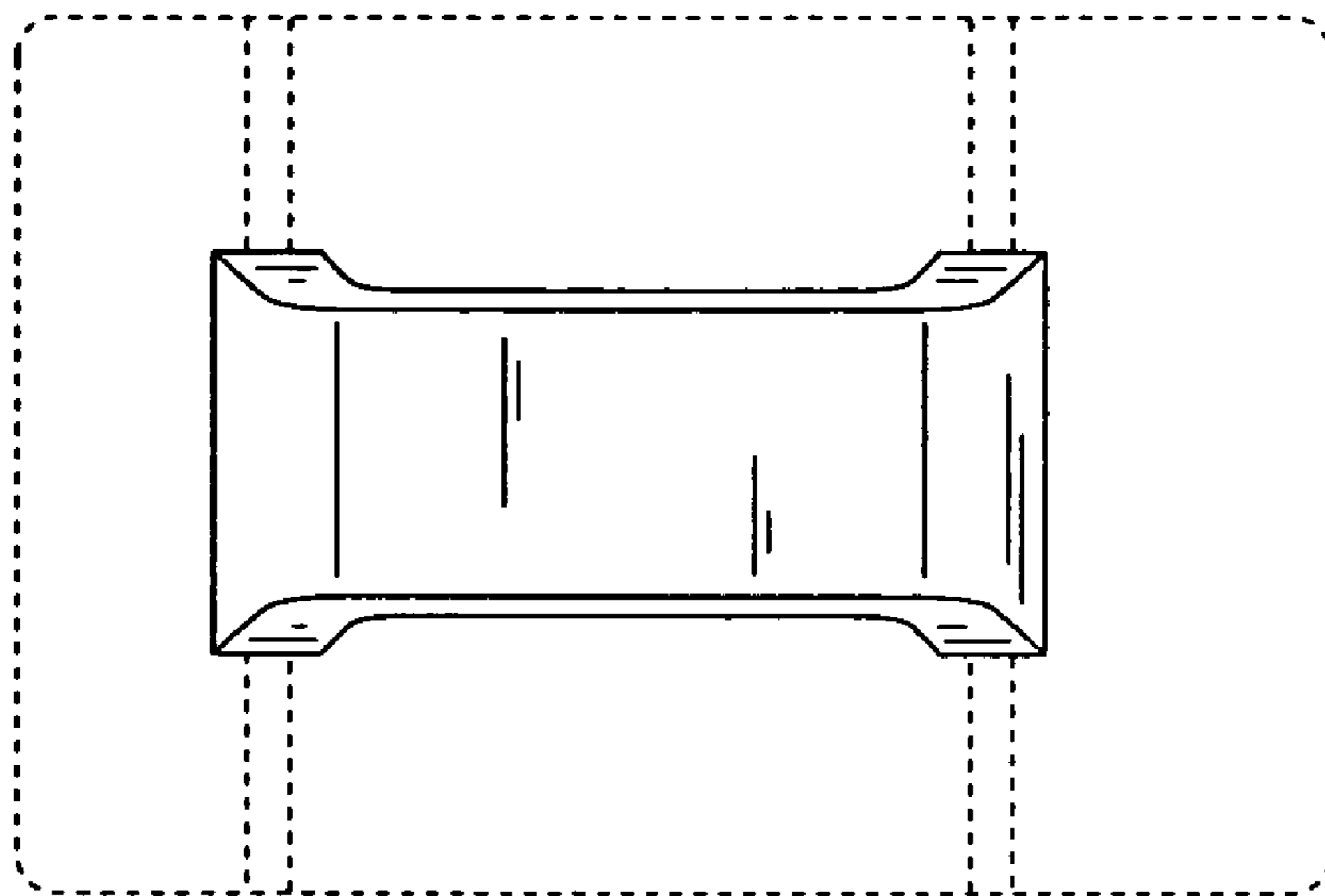


FIG. 10

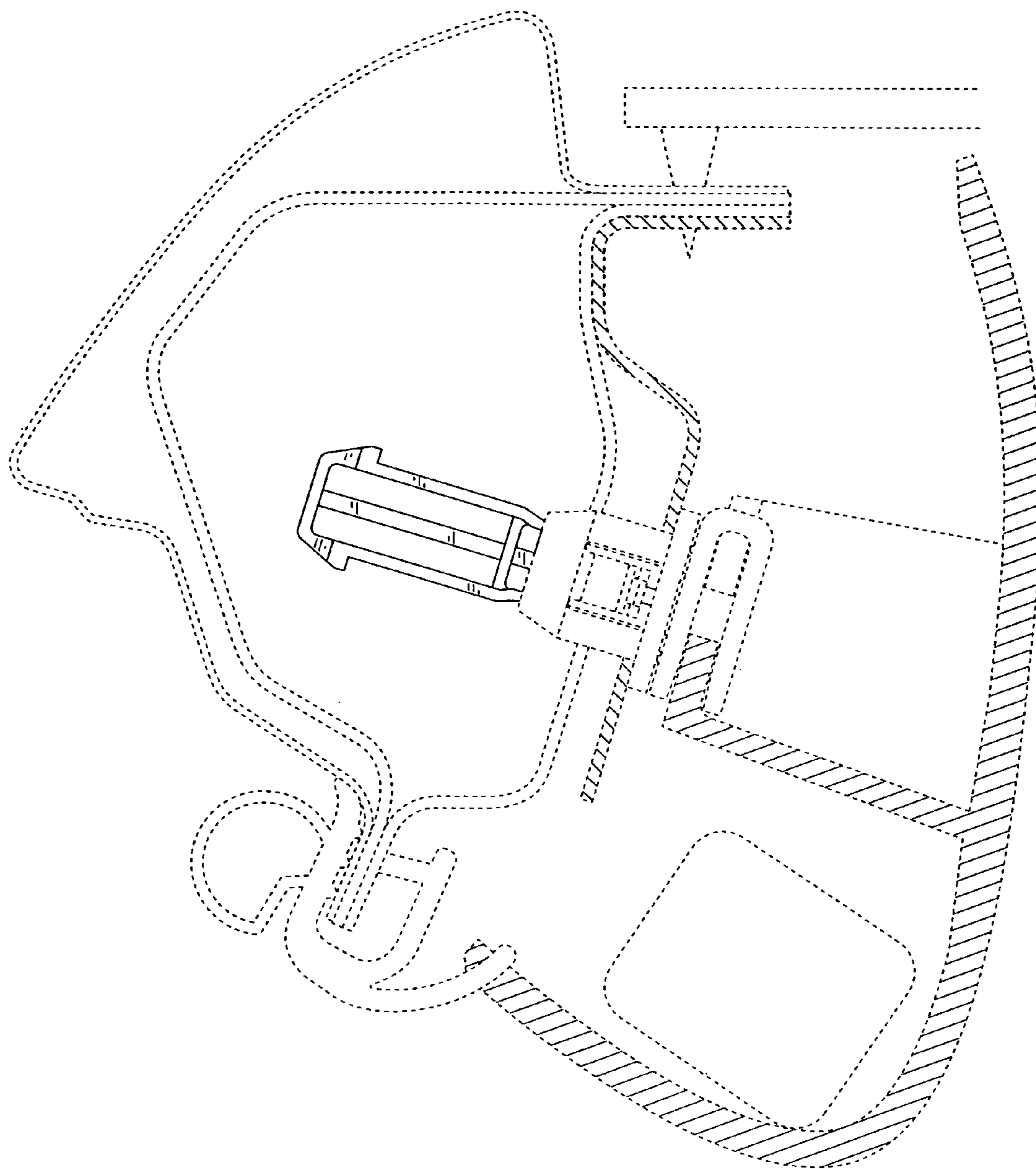


FIG. 11