



US00D602835S

(12) **United States Design Patent**  
**Rousseau**

(10) **Patent No.:** **US D602,835 S**  
(45) **Date of Patent:** **\*\* Oct. 27, 2009**

(54) **TOP-LOCK FLAT BLADE CONNECTOR**

(75) Inventor: **Jean-Francois Rousseau**, Charbonnier  
les Mines (FR)

(73) Assignee: **Valeo Systemes d'Essuyage**, La Verriere  
(FR)

(\*\*) Term: **14 Years**

(21) Appl. No.: **29/293,005**

(22) Filed: **Nov. 6, 2007**

(30) **Foreign Application Priority Data**

May 11, 2007 (EM) ..... 000721519

(51) **LOC (9) Cl.** ..... **12-16**

(52) **U.S. Cl.** ..... **D12/220**

(58) **Field of Classification Search** ..... D12/219-220;  
15/246, 247, 250.001, 250.04, 250.361, 250.19,  
15/250.48, 250.03, 250.31-250.33, 250.351,  
15/250.38, 250.201, 250.451, 250.458, 250.07,  
15/250.44

See application file for complete search history.

(56) **References Cited**

**U.S. PATENT DOCUMENTS**

D556,115 S \* 11/2007 Kim ..... D12/219  
D556,117 S \* 11/2007 Kim ..... D12/219  
2005/0039292 A1\* 2/2005 Boland ..... 15/250.32

2006/0010636 A1\* 1/2006 Vacher ..... 15/250.32  
2008/0016643 A1\* 1/2008 Braun et al. .... 15/250.361  
2008/0066254 A1\* 3/2008 Vacher ..... 15/250.32  
2008/0222830 A1\* 9/2008 Chiang ..... 15/250.32  
2008/0222833 A1\* 9/2008 Henin et al. .... 15/250.201

\* cited by examiner

*Primary Examiner*—Caron Veynar

*Assistant Examiner*—Katrina A Kile

(74) *Attorney, Agent, or Firm*—Sofer & Haroun, LLP

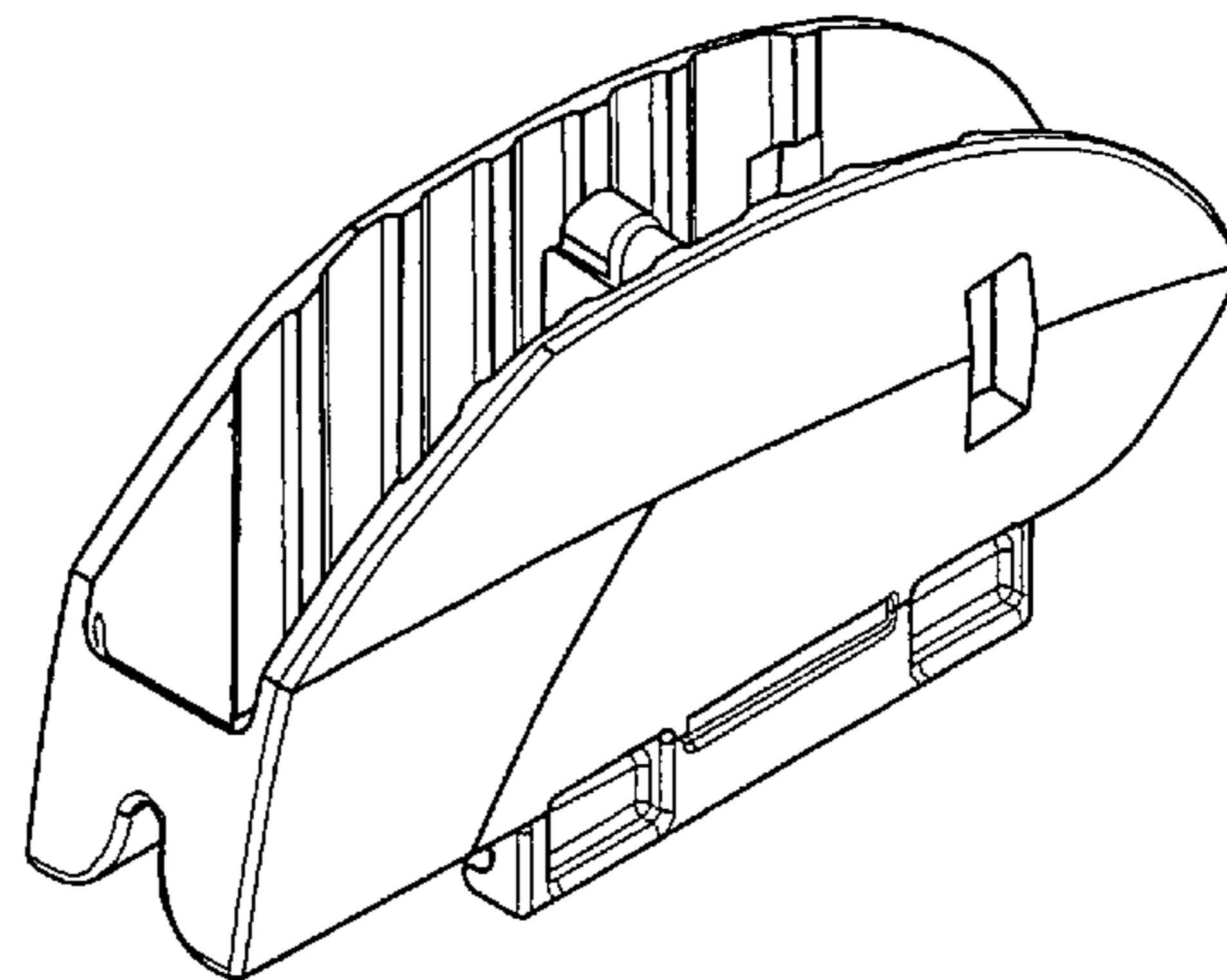
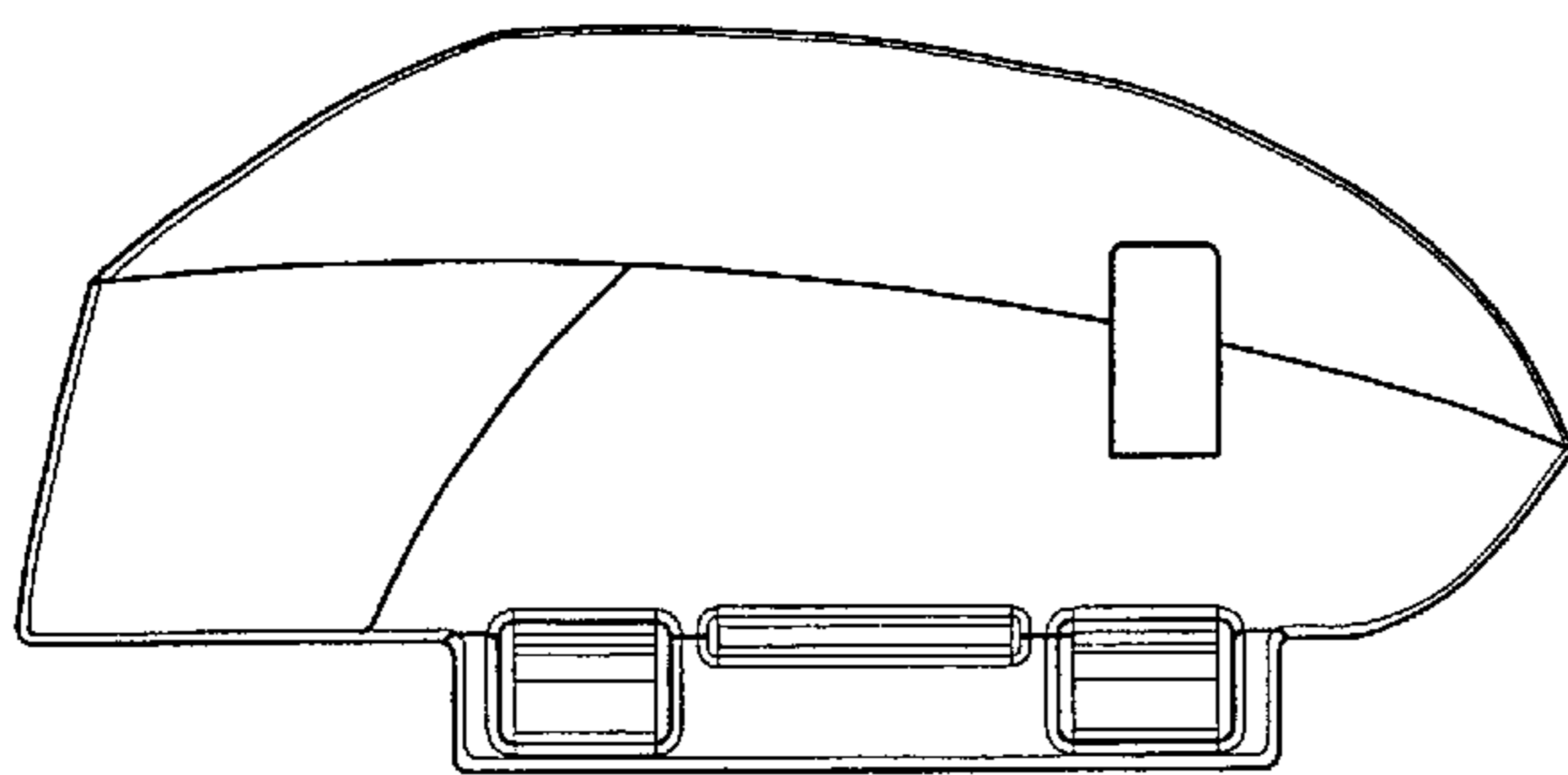
(57) **CLAIM**

The ornamental design for a top-lock flat blade connector, as shown.

**DESCRIPTION**

FIG. 1 is a front view of the connector showing my design;  
FIG. 2 shows a rear view of the connector of FIG. 1;  
FIG. 3 shows an enlarged top view of the connector of FIG. 1;  
FIG. 4 shows an enlarged bottom view of the connector of FIG. 1;  
FIG. 5 shows an enlarged right side view of the connector of FIG. 1;  
FIG. 6 shows an enlarged left side view of the connector of FIG. 1; and,  
FIG. 7 shows an enlarged perspective view of the connector of FIG. 1.

**1 Claim, 3 Drawing Sheets**



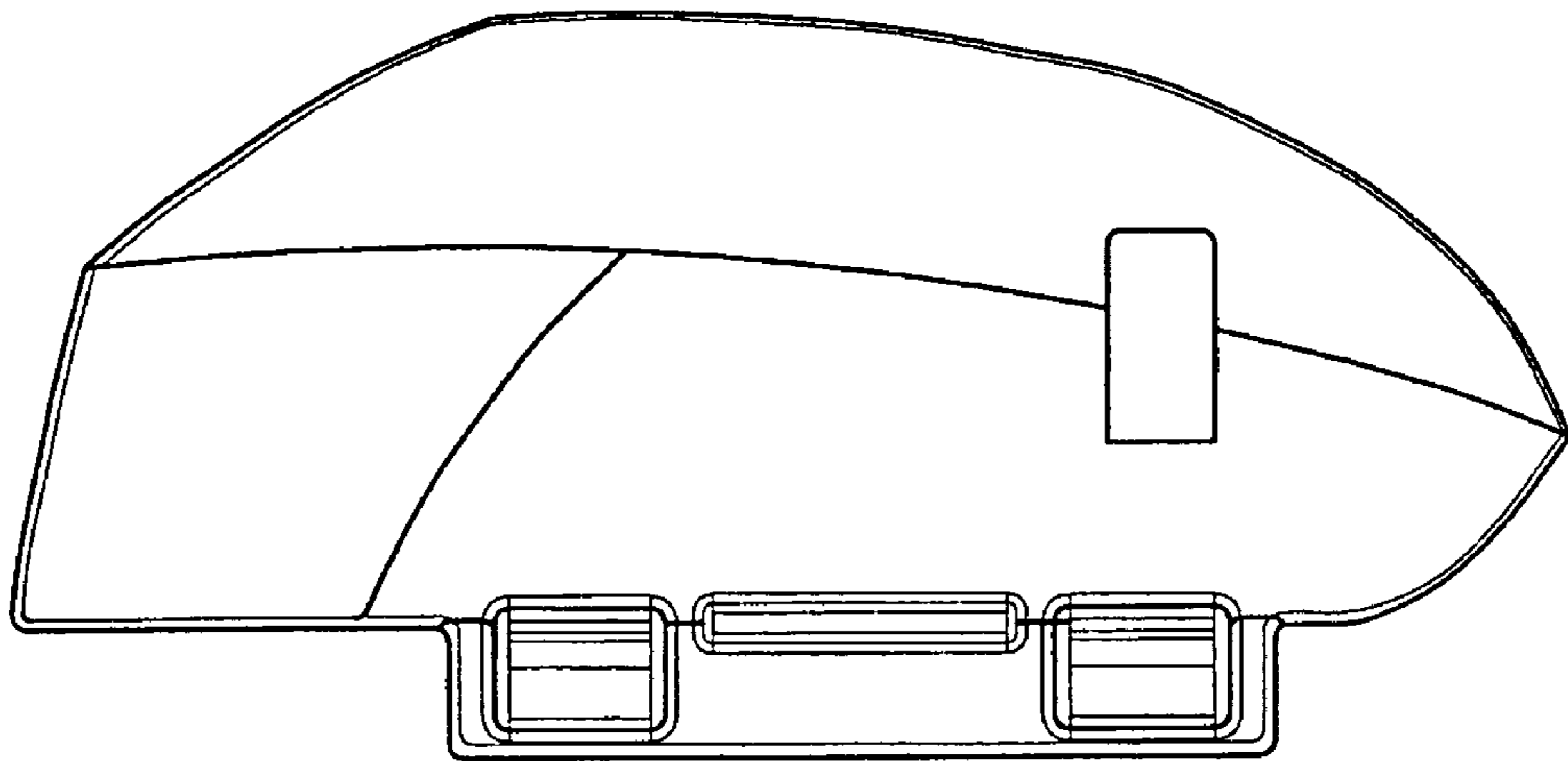


FIG. 1

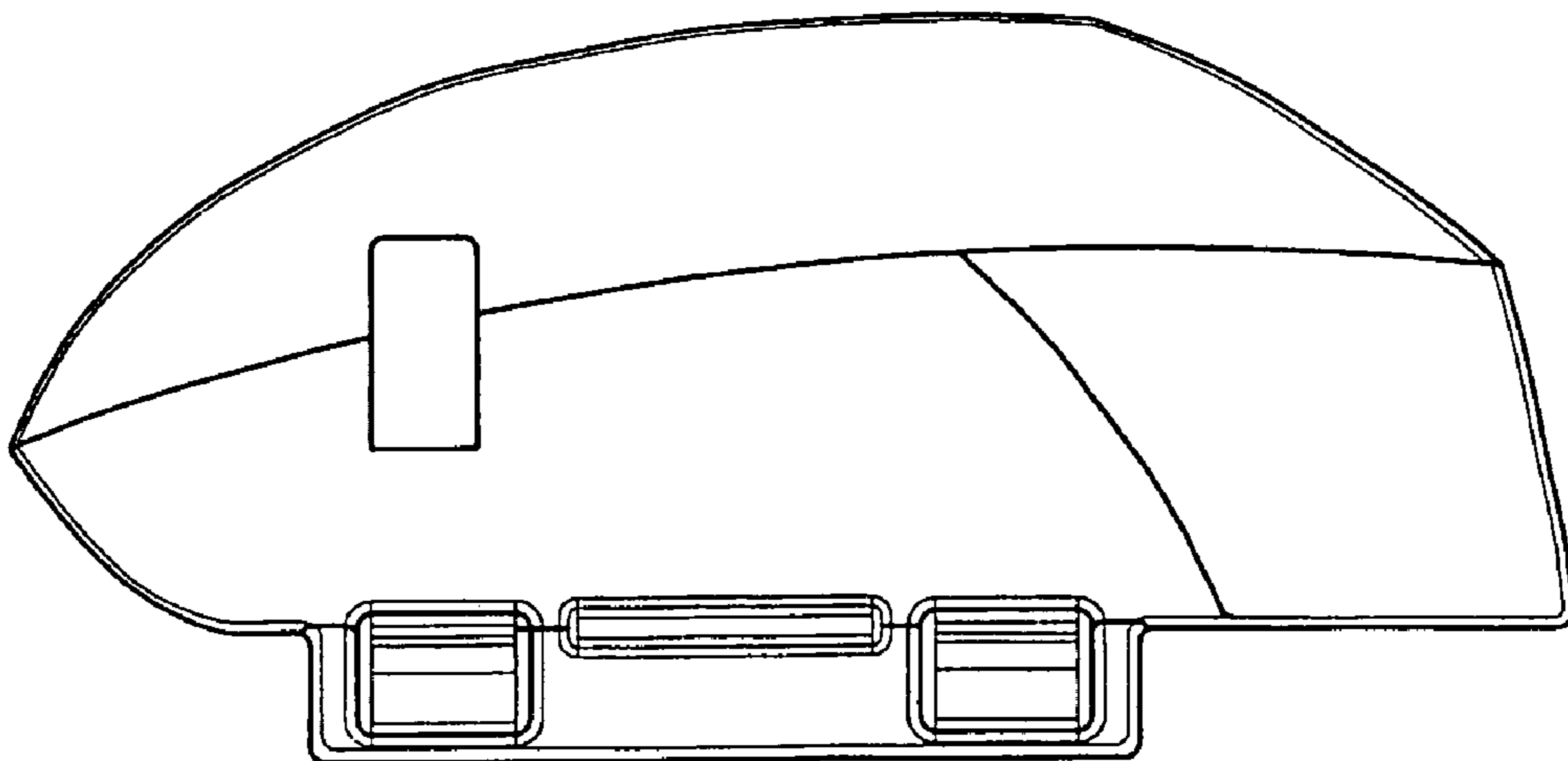


FIG. 2

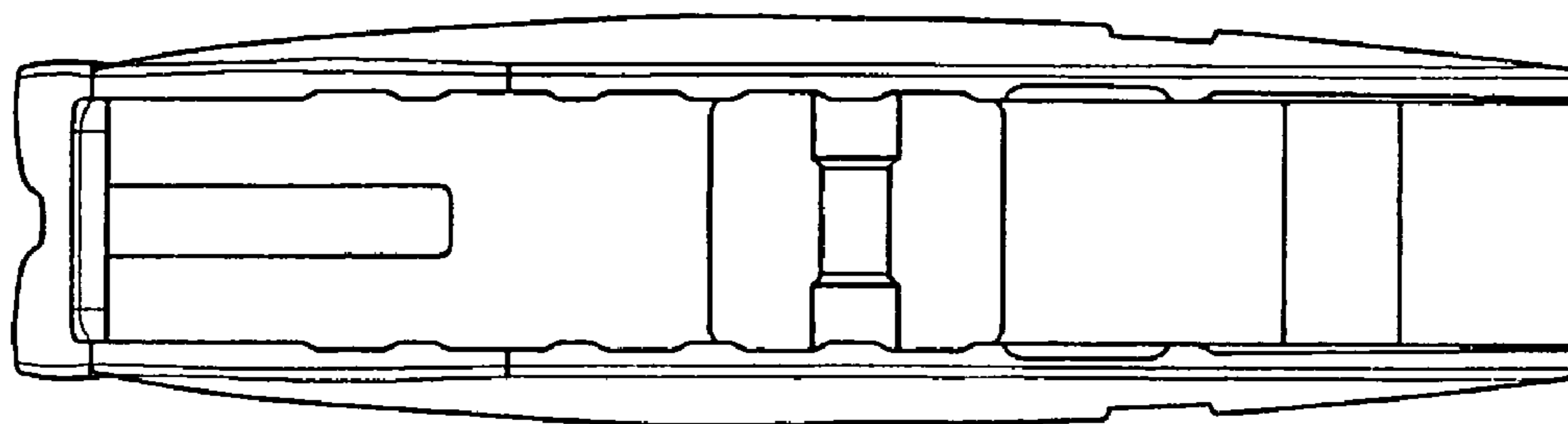


FIG. 3

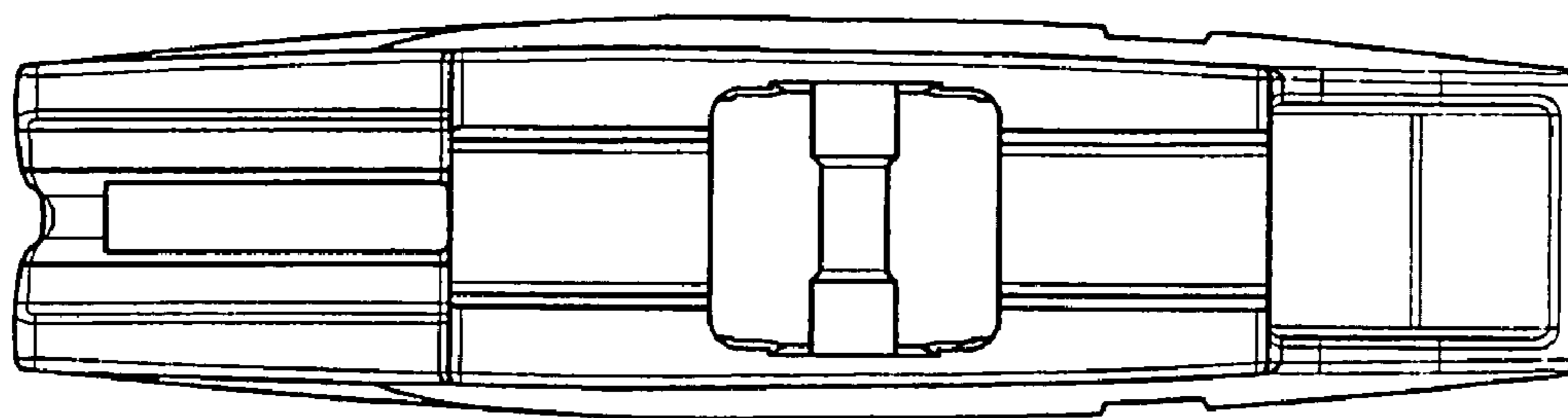


FIG. 4

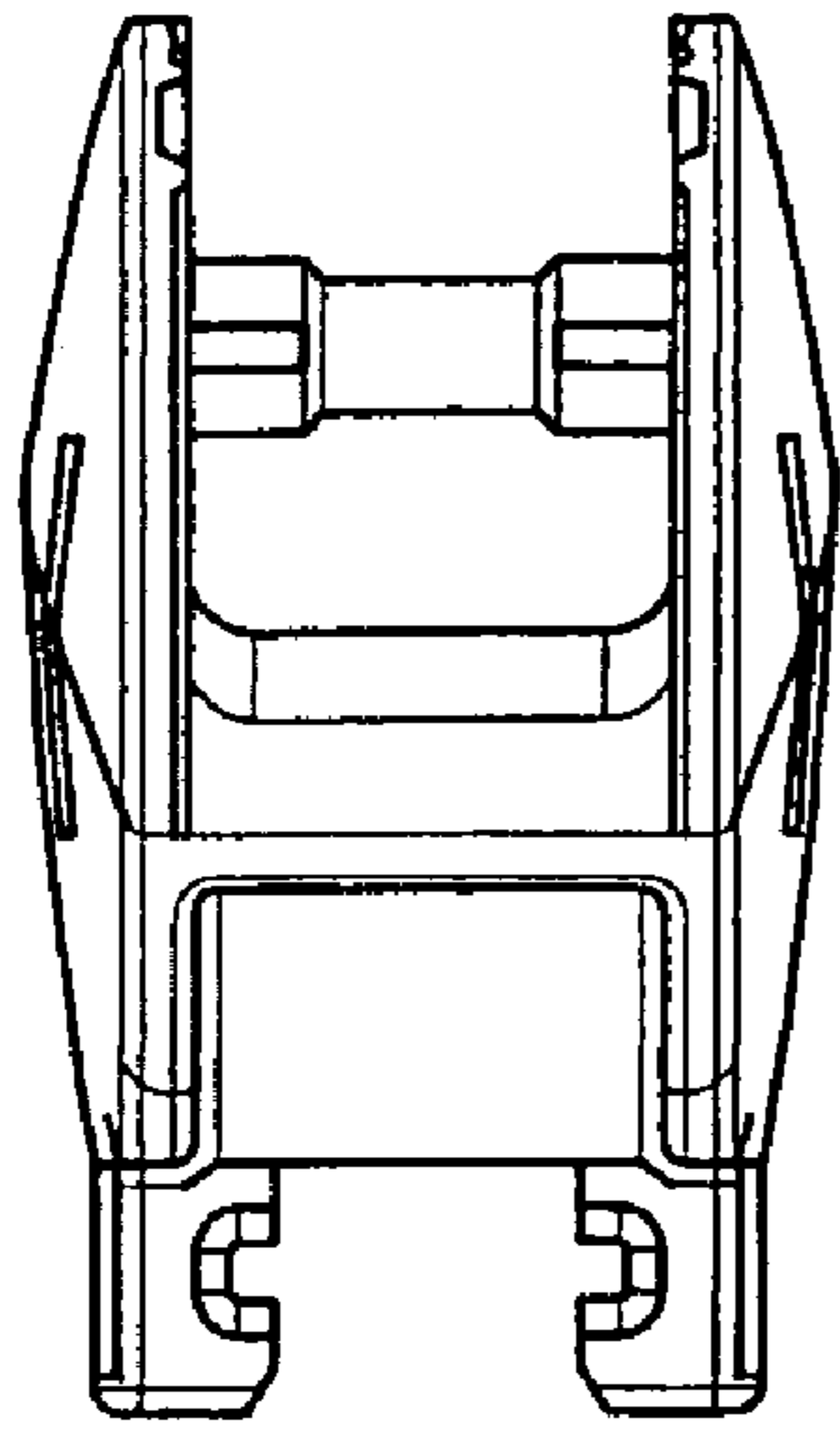


FIG. 5

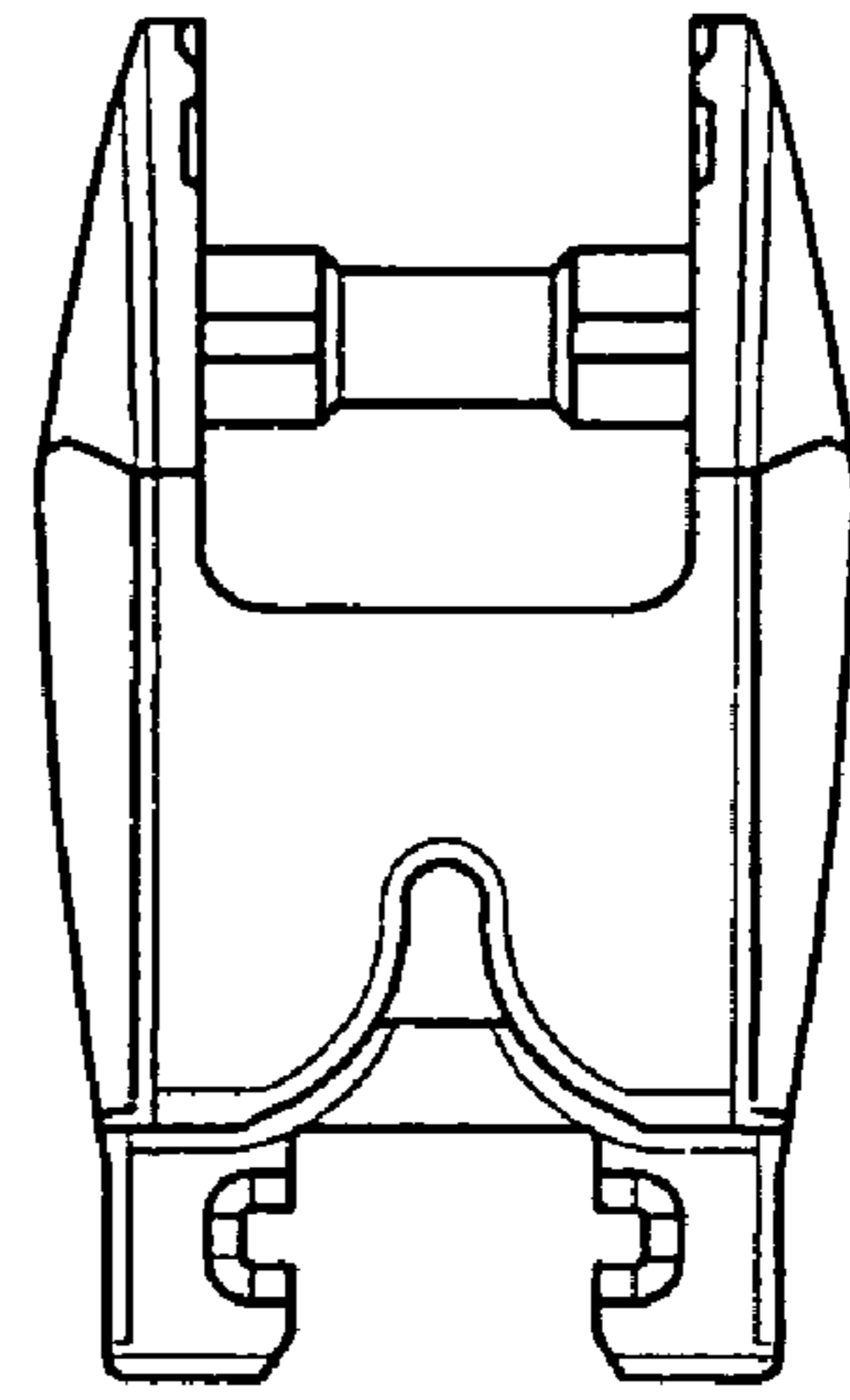


FIG. 6

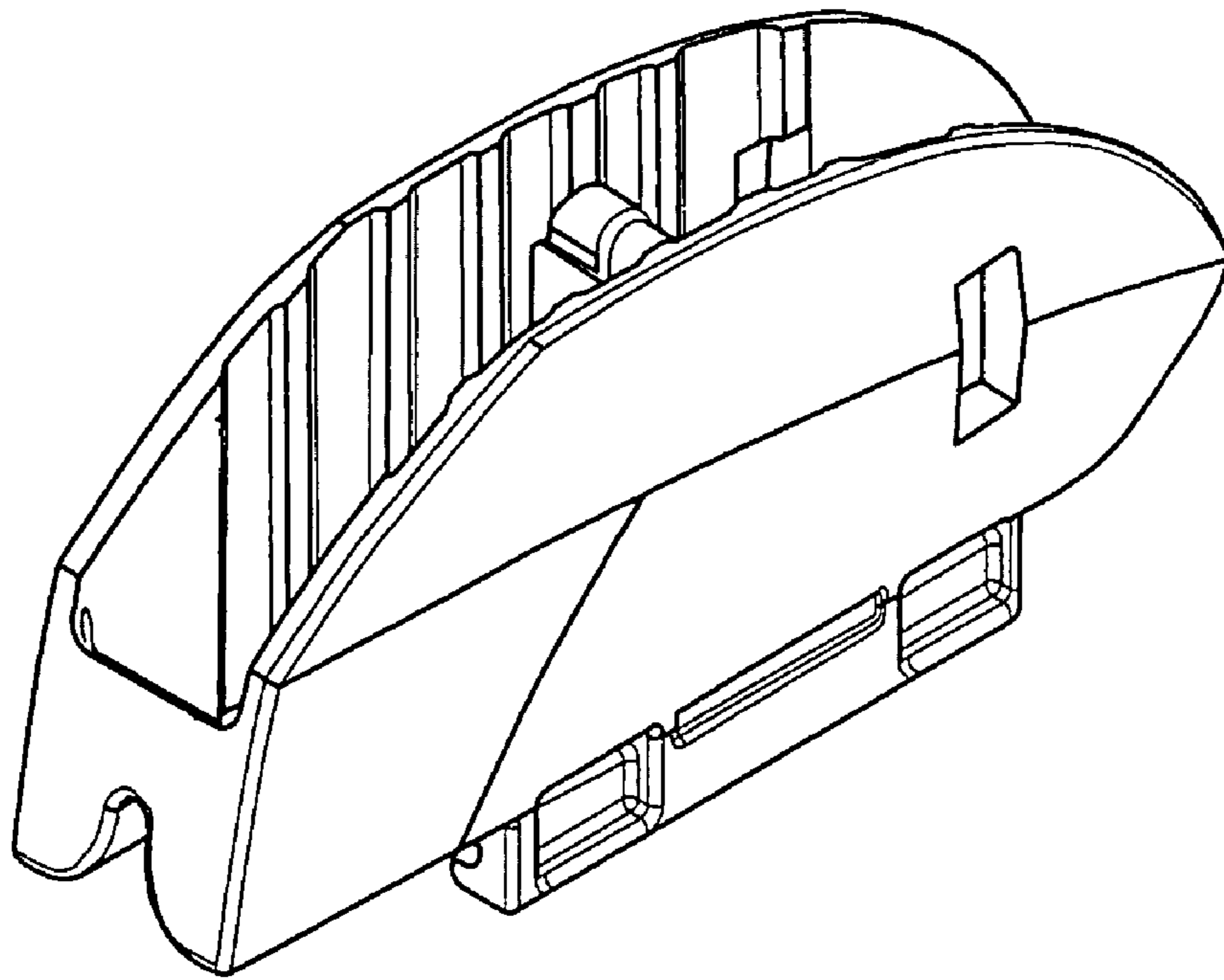


FIG. 7