



US00D602834S

(12) **United States Design Patent**  
**Dilber**

(10) **Patent No.:** **US D602,834 S**

(45) **Date of Patent:** **\*\* Oct. 27, 2009**

(54) **WHEEL OR WHEEL COVER**

(75) Inventor: **Cengiz Dilber**, Rielingshausen (DE)

(73) Assignee: **Daimler AG**, Stuttgart (DE)

(\*\*) Term: **14 Years**

(21) Appl. No.: **29/311,866**

(22) Filed: **Jul. 17, 2009**

(30) **Foreign Application Priority Data**

Feb. 26, 2009 (EM) ..... 001095467-0004

(51) **LOC (9) Cl.** ..... **12-16**

(52) **U.S. Cl.** ..... **D12/211**

(58) **Field of Classification Search** ..... D12/204-213;  
301/37.101, 64.101, 65, 64.201

See application file for complete search history.

(56) **References Cited**

**U.S. PATENT DOCUMENTS**

- D410,618 S \* 6/1999 Hussaini et al. .... D12/211
- D504,098 S \* 4/2005 Gallert ..... D12/209
- D542,211 S \* 5/2007 Hieke ..... D12/211
- D544,822 S \* 6/2007 Walbey, Jr. .... D12/211

- D553,550 S \* 10/2007 Tirado ..... D12/211
- D582,328 S \* 12/2008 Hieke ..... D12/209
- D584,674 S \* 1/2009 Chung ..... D12/211
- D589,427 S \* 3/2009 Scheu ..... D12/211
- D593,478 S \* 6/2009 Tirado ..... D12/211
- D596,549 S \* 7/2009 Varga ..... D12/211

\* cited by examiner

*Primary Examiner*—Stacia Cadmus

(74) *Attorney, Agent, or Firm*—Crowell & Moring LLP

(57) **CLAIM**

The ornamental design for a wheel or wheel cover, as shown and described.

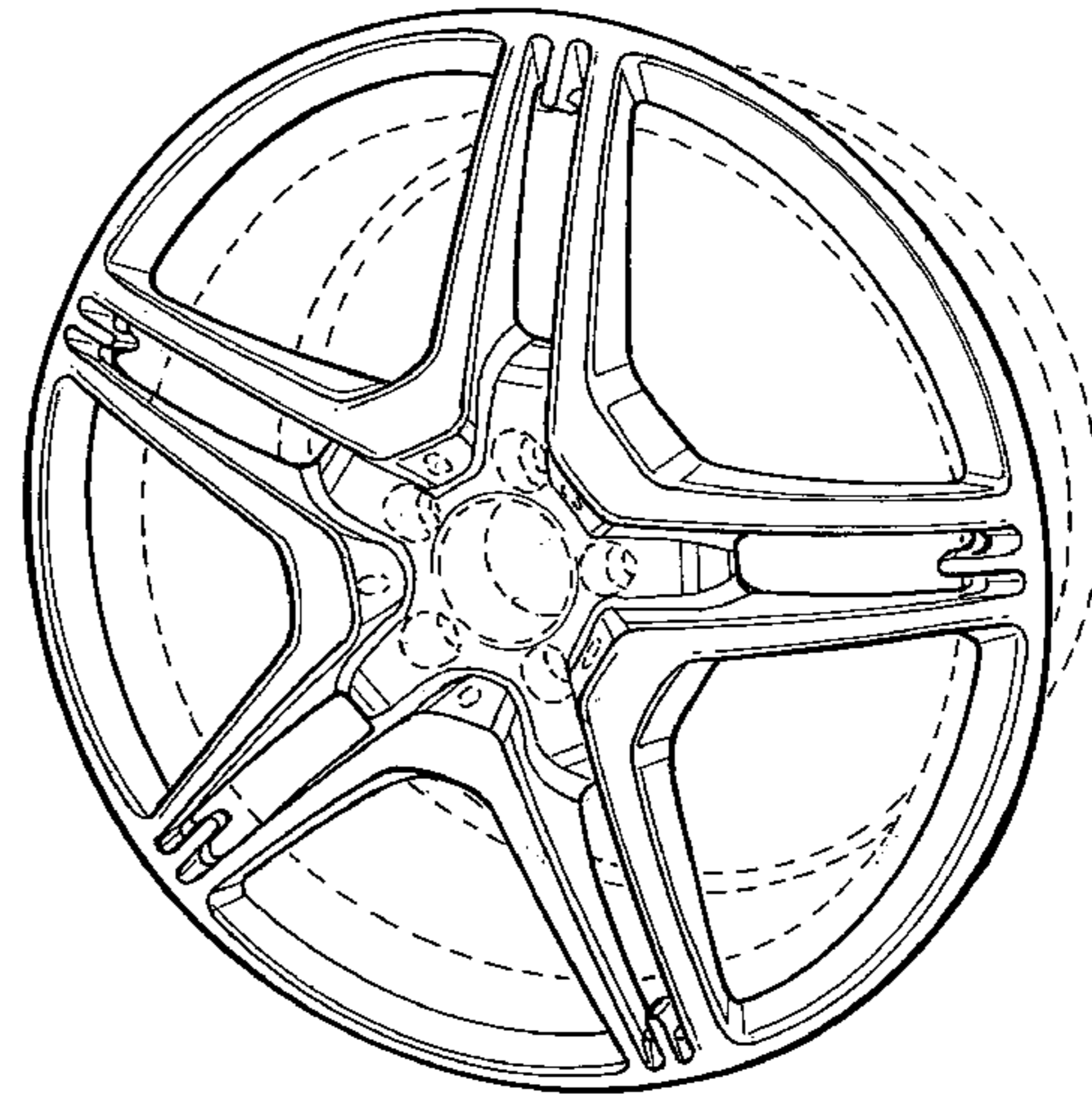
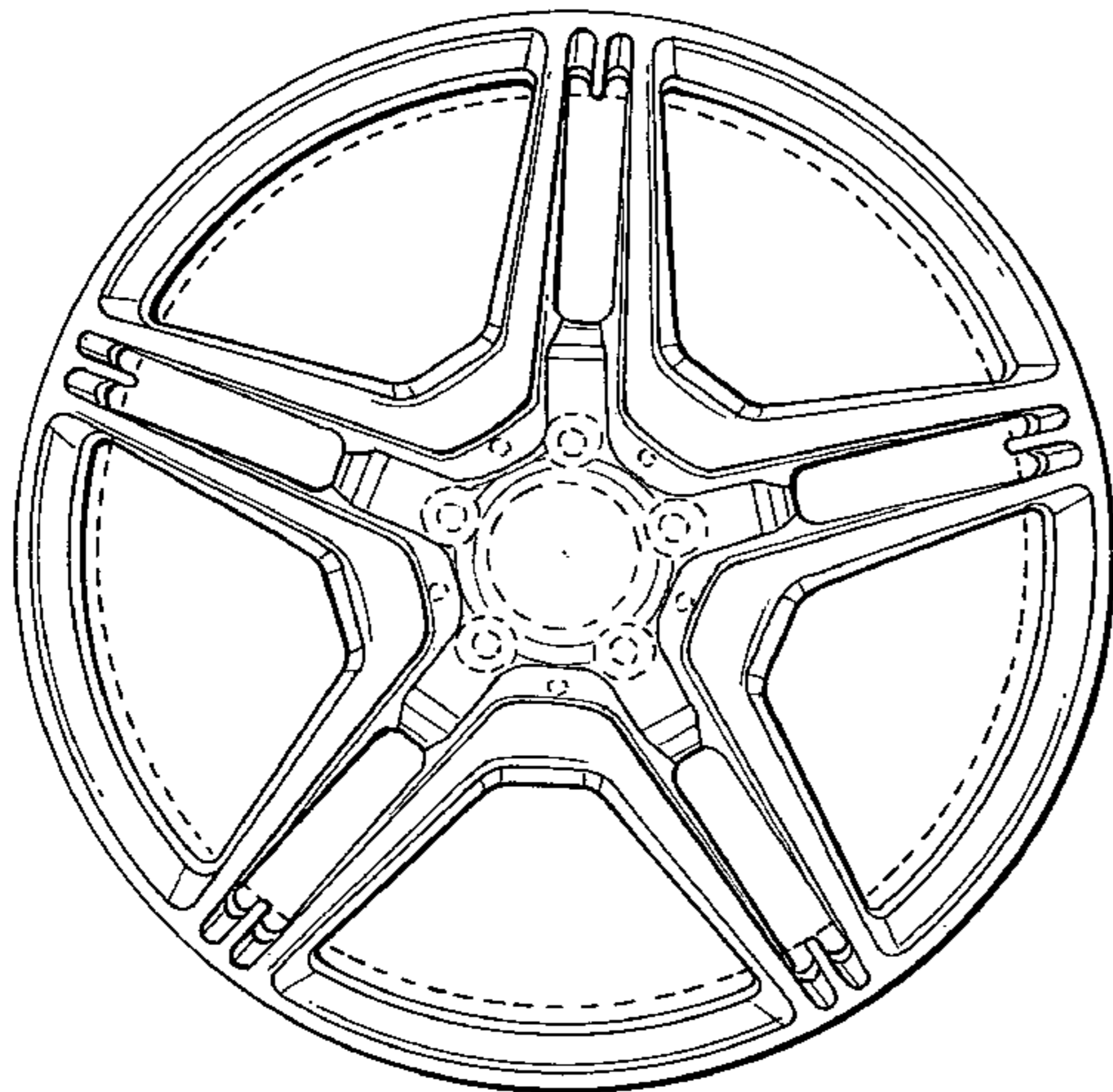
**DESCRIPTION**

FIG. 1 is a front view of a wheel or wheel cover according to my design; and,

FIG. 2 is a perspective view thereof.

The broken line showing of the rear of the rim and the center cap and bolt holes in the central hub area is included for the purpose of illustrating environment and forms no part of the claimed design.

**1 Claim, 1 Drawing Sheet**



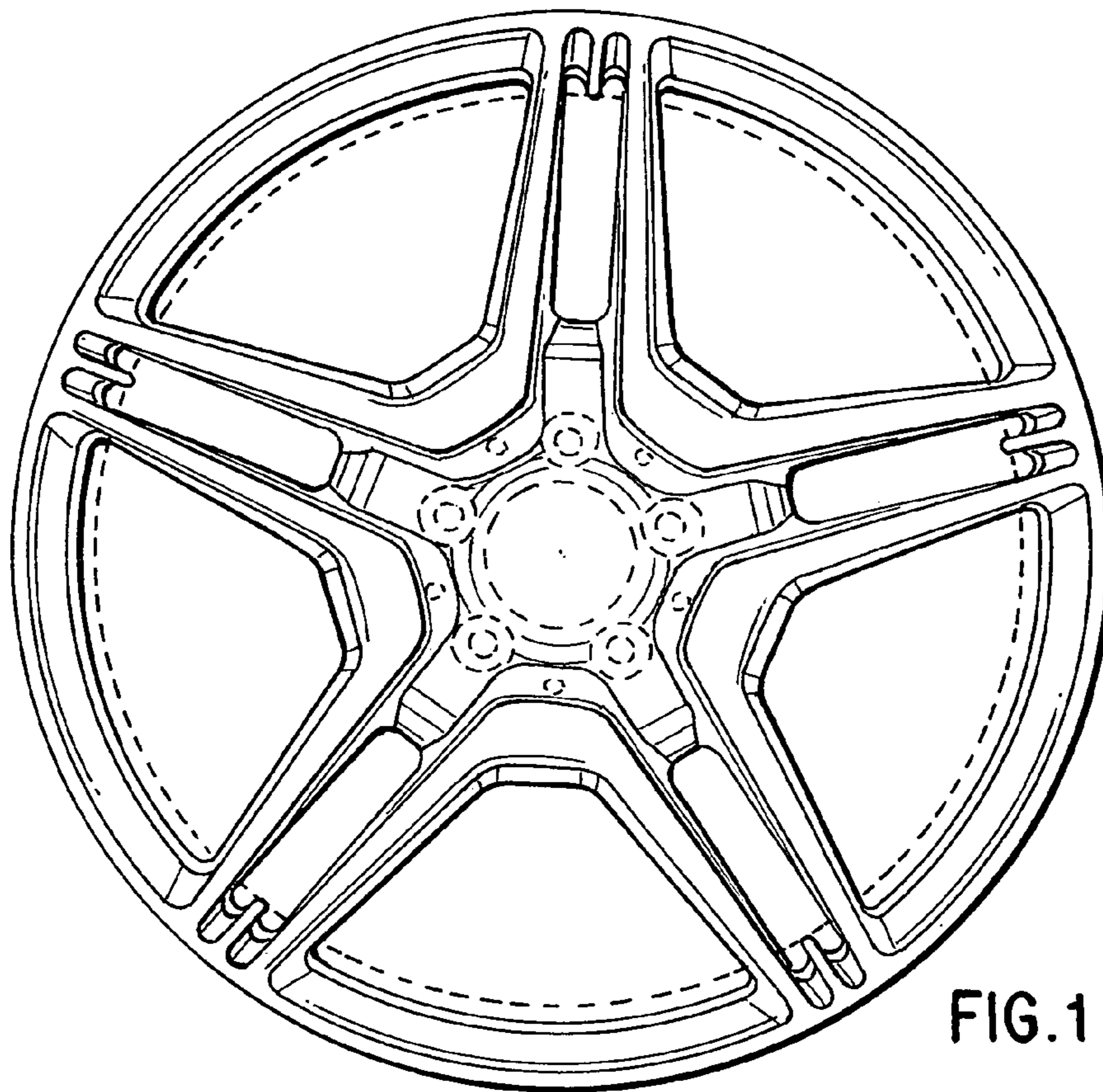


FIG. 1

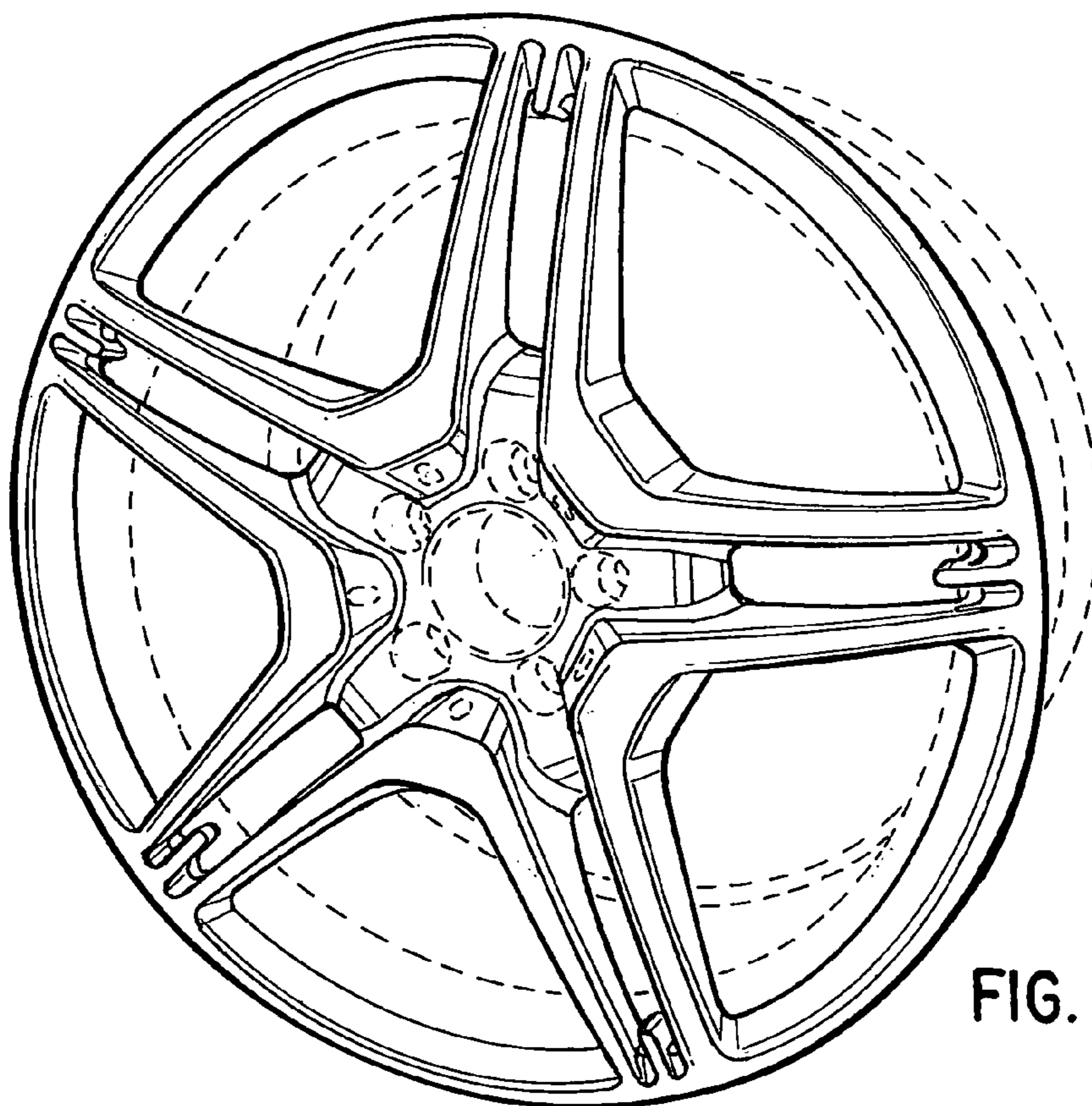


FIG. 2