



US00D602833S

(12) **United States Design Patent**  
**Corradi**

(10) **Patent No.:** **US D602,833 S**  
(45) **Date of Patent:** **\*\* Oct. 27, 2009**

(54) **PASSENGERS' COMPARTMENT FOR GAMES AND FOR CAR INCLUDING TOY-CAR, MOTOR CAR, REPLICAR AND SCALE-MODEL-CAR**

D560,150 S \* 1/2008 Honma et al. .... D12/192  
D571,272 S \* 6/2008 Esaki et al. .... D12/192  
D577,640 S \* 9/2008 Wyszogrod et al. .... D12/192  
D577,642 S \* 9/2008 Kitajima et al. .... D12/192  
D577,644 S \* 9/2008 Wyszogrod et al. .... D12/195  
D586,714 S \* 2/2009 Woodard et al. .... D12/192

(75) Inventor: **Roberto Corradi**, Campogalliano (IT)

\* cited by examiner

(73) Assignee: **Ferrari S.p.A.**, Modena (IT)

*Primary Examiner*—Caron Veynar

(\*\*) Term: **14 Years**

*Assistant Examiner*—Abraham Bahta

(21) Appl. No.: **29/321,887**

(74) *Attorney, Agent, or Firm*—Cowan, Liebowitz & Latman, PC

(22) Filed: **Jul. 25, 2008**

(57) **CLAIM**

(30) **Foreign Application Priority Data**

Feb. 15, 2008 (EM) ..... 000879465  
Feb. 15, 2008 (EM) ..... 000879531

The ornamental design for a passengers' compartment for games and for car including toy-car, motor car, replica car and scale-model-car, as shown and described.

(51) **LOC (9) Cl.** ..... **12-16**

**DESCRIPTION**

(52) **U.S. Cl.** ..... **D12/195**

FIG. 1 is a partial front view of the passengers' compartment for games and for car including toy-car, motor car, replica car and scale-model-car showing my new design taken along line I—I in FIG. 3;

(58) **Field of Classification Search** ..... D12/192,  
D12/345, 312, 415; 296/190.01, 37.8; 362/482,  
362/489; D23/354, 387; 73/431, 866.3;  
180/90; D10/46, 122–127, 103, 49–51; 280/752  
See application file for complete search history.

FIG. 2 is a partial rear view thereof taken along line II—II in FIG. 3;

(56) **References Cited**

**U.S. PATENT DOCUMENTS**

D499,998 S \* 12/2004 Tanaka et al. .... D12/192  
D501,811 S \* 2/2005 Fukuda et al. .... D12/192  
D512,357 S \* 12/2005 Schuttera ..... D12/192  
D532,730 S \* 11/2006 Kohara et al. .... D12/192  
D538,721 S \* 3/2007 Woodard et al. .... D12/192  
D539,714 S \* 4/2007 Toyama et al. .... D12/192  
D554,033 S \* 10/2007 Hill et al. .... D12/195

FIG. 3 is a top view thereof;

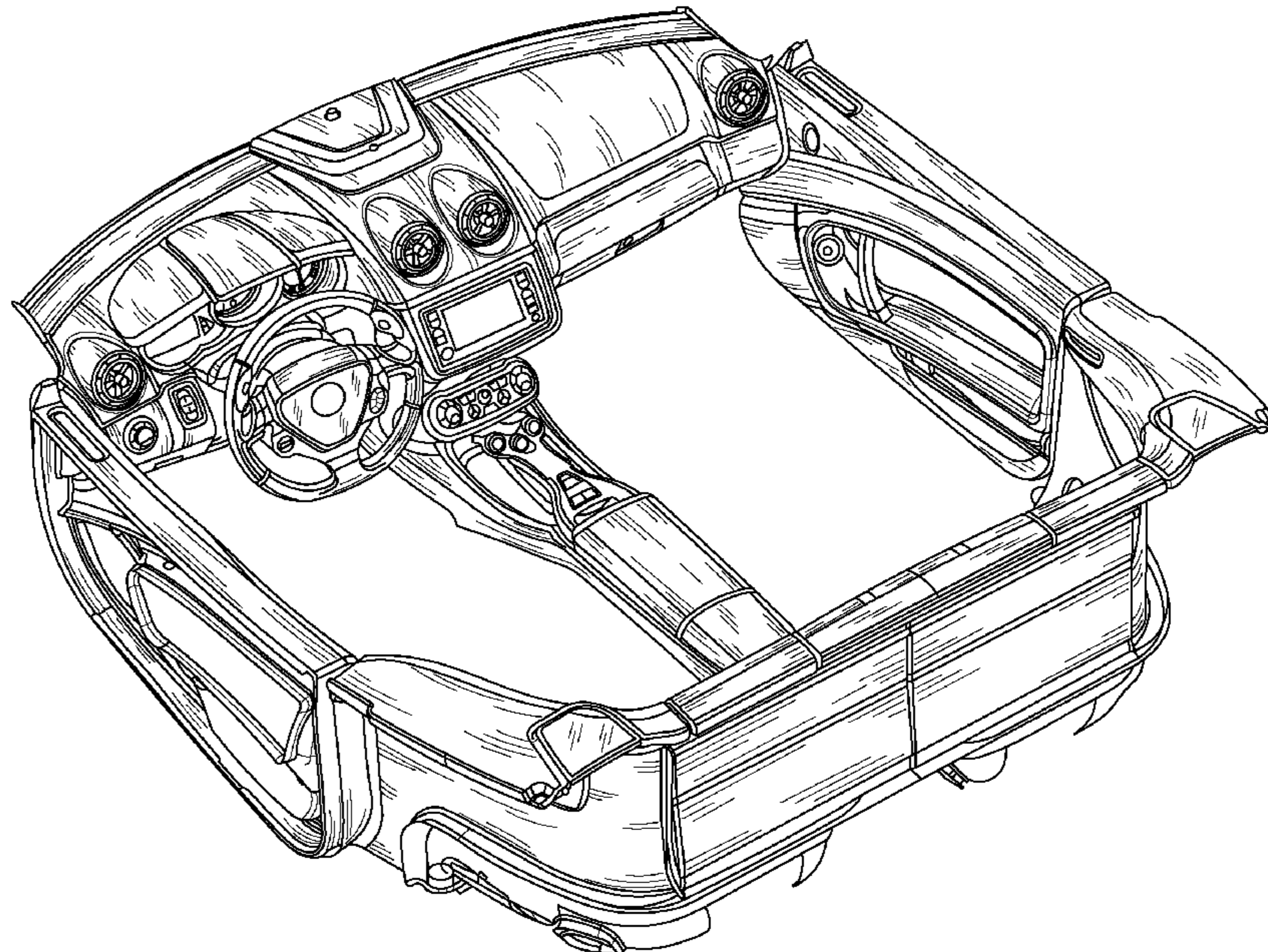
FIG. 4 is a bottom view thereof;

FIG. 5 is a partial left side view thereof taken along line V—V in FIG. 3;

FIG. 6 is a partial right side view thereof taken along line VI—VI in FIG. 3; and,

FIG. 7 is a perspective view thereof.

**1 Claim, 7 Drawing Sheets**



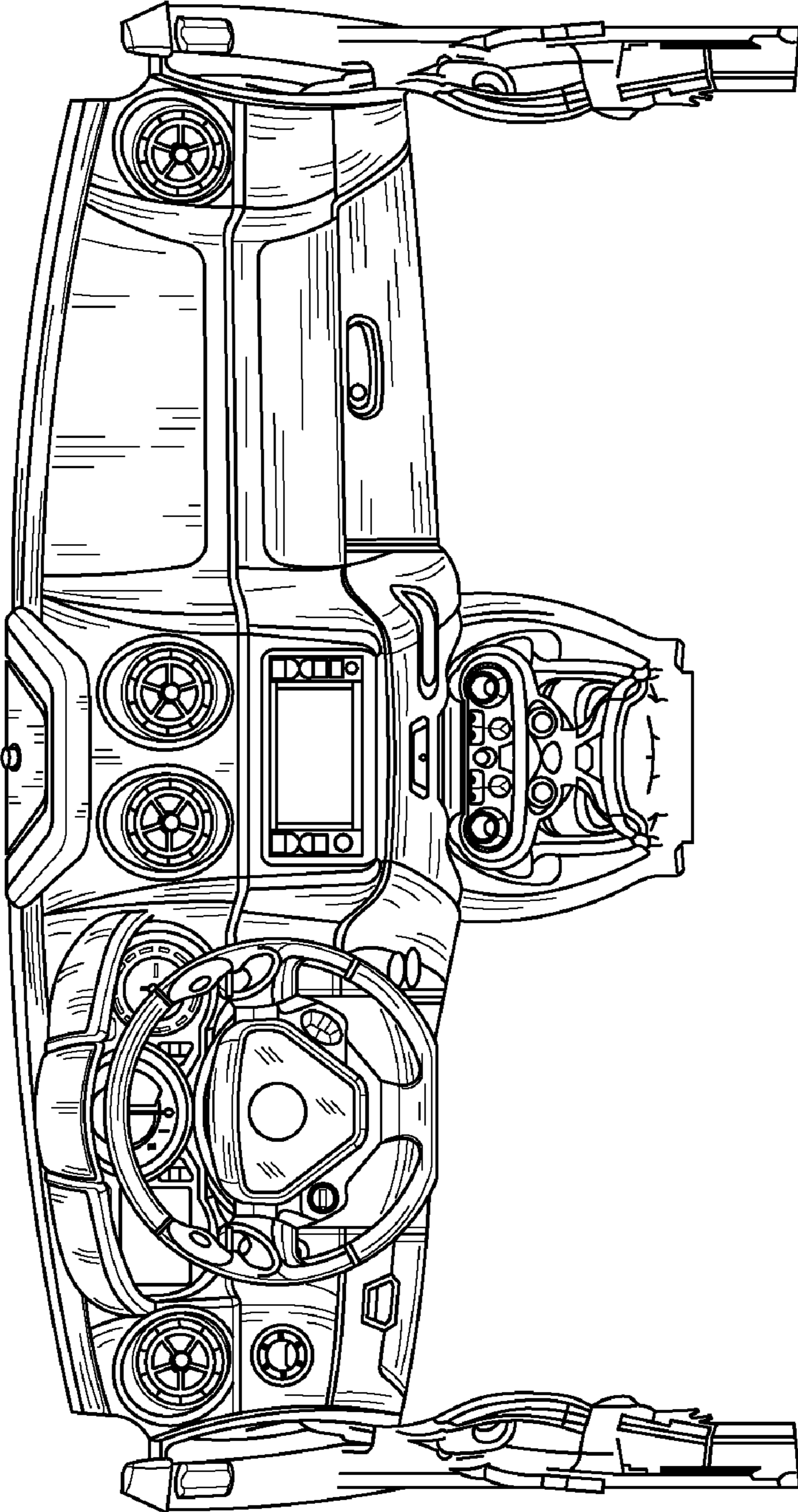


FIG. 1

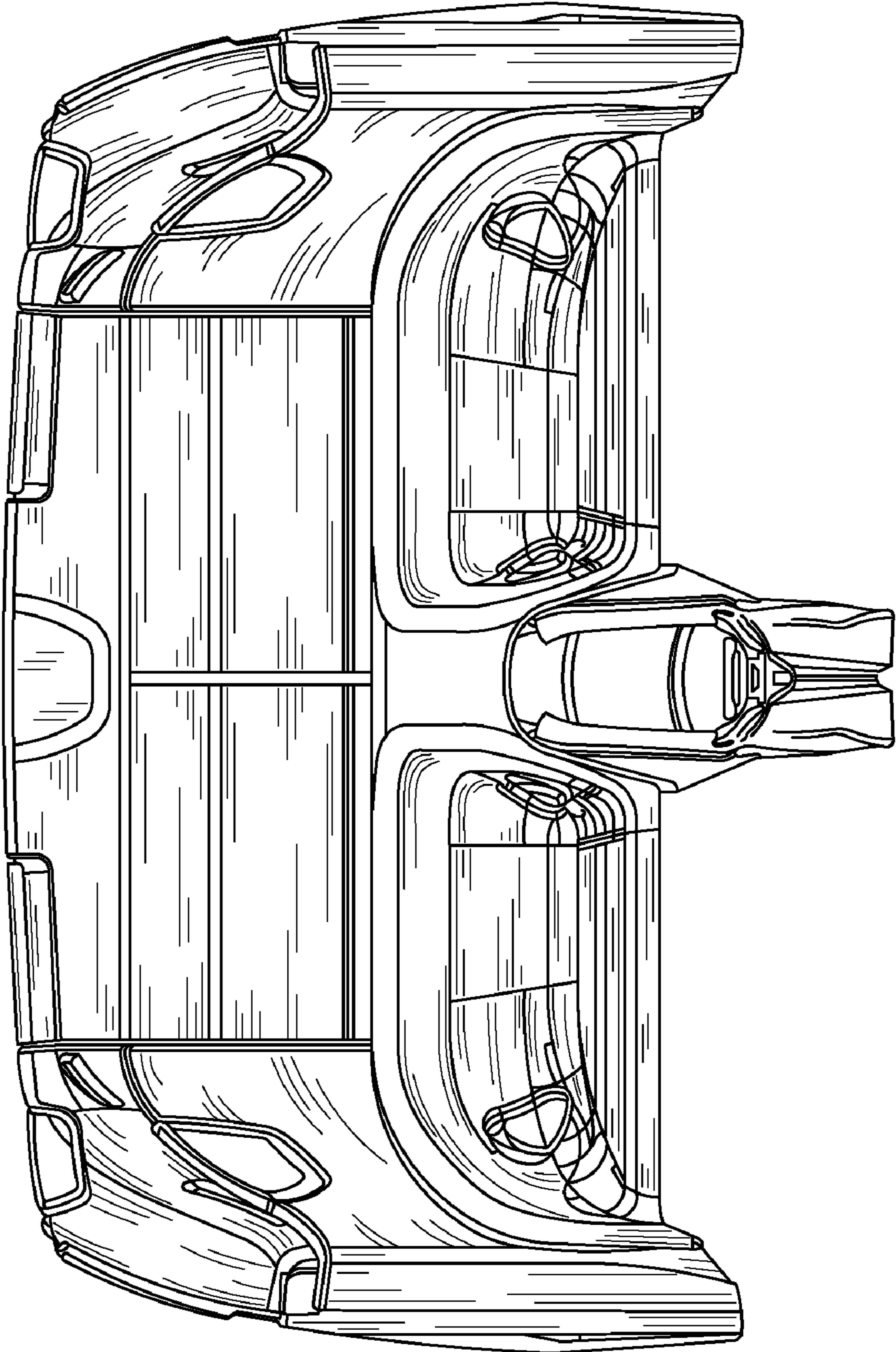


FIG. 2

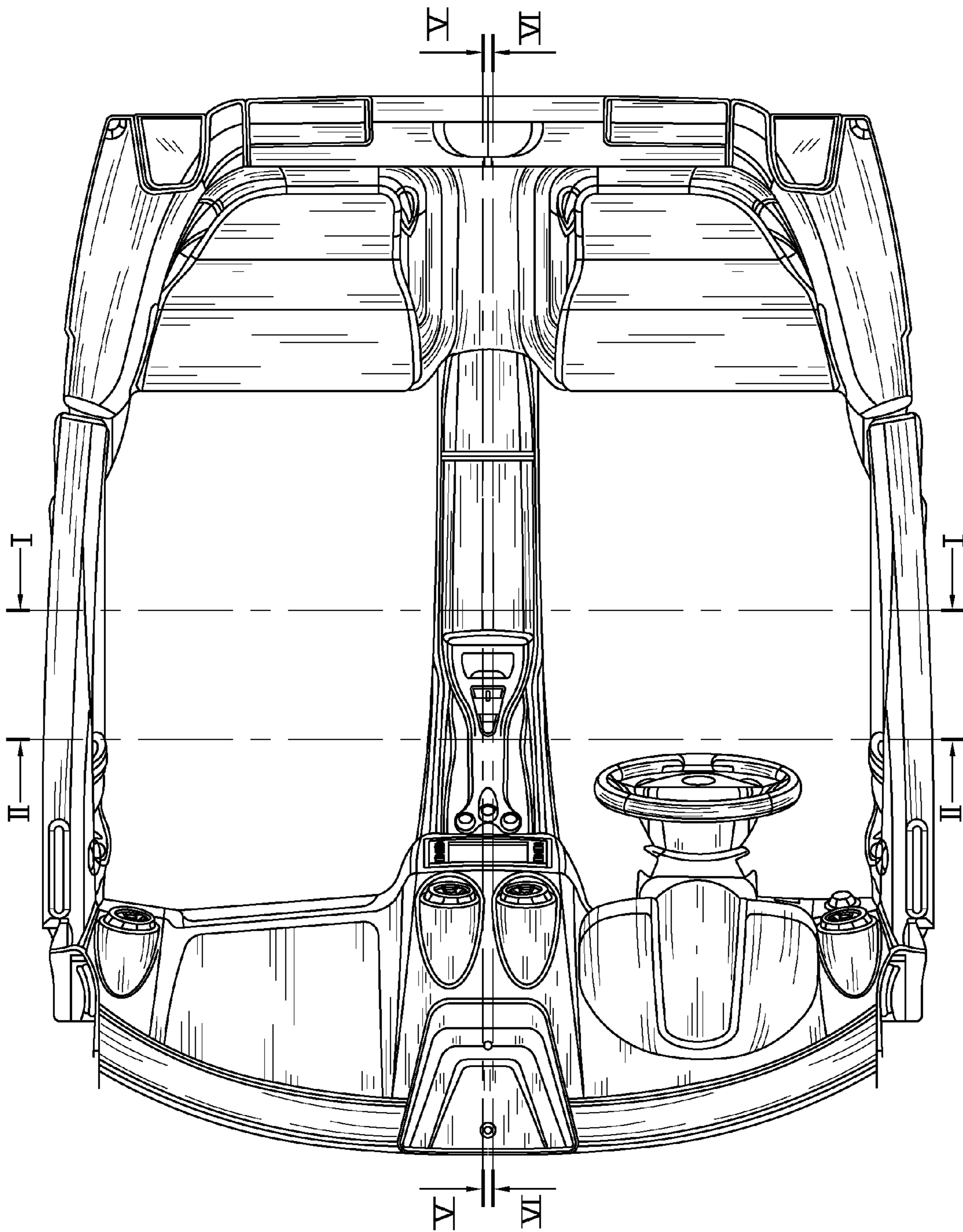


FIG. 3

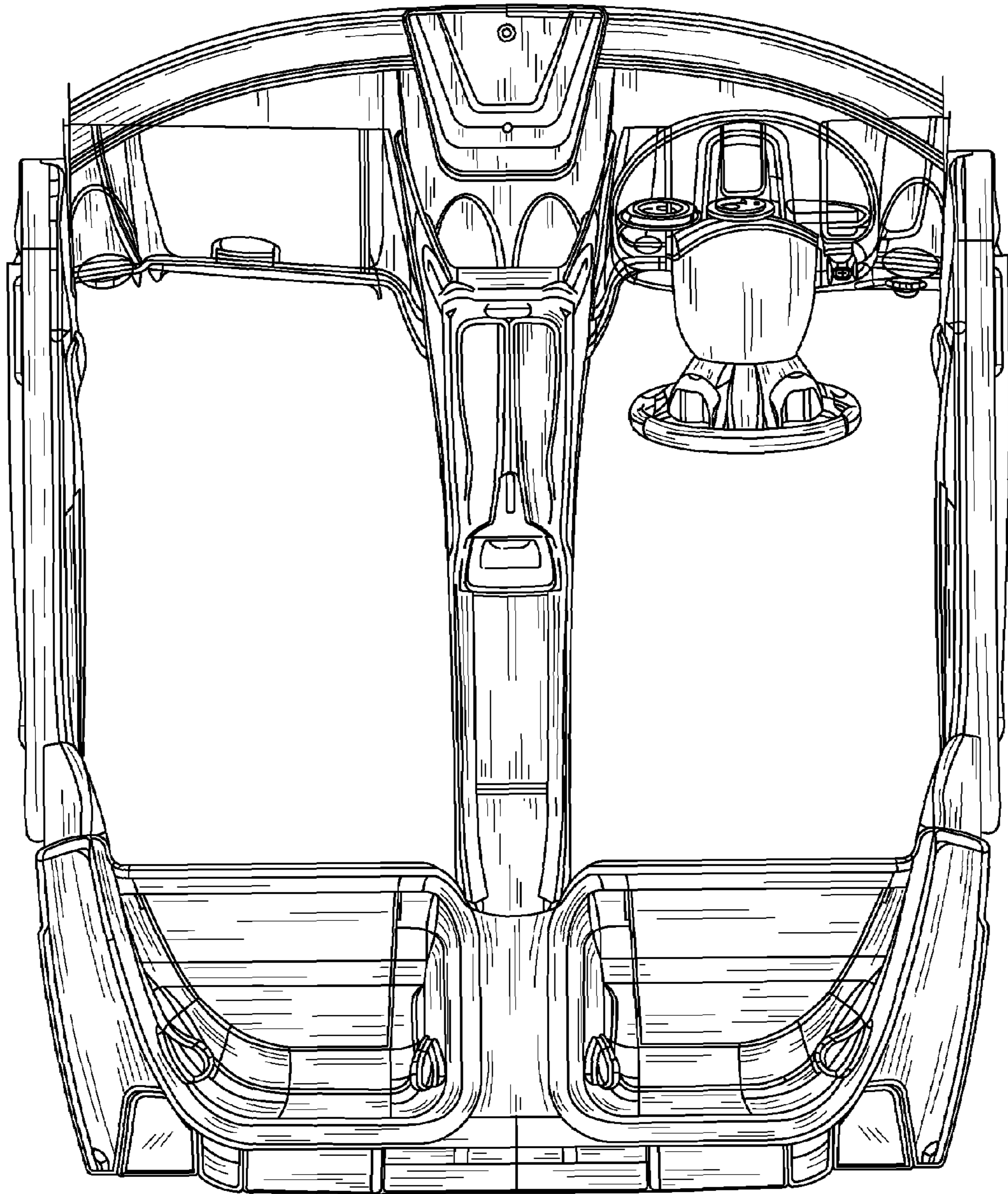


FIG. 4

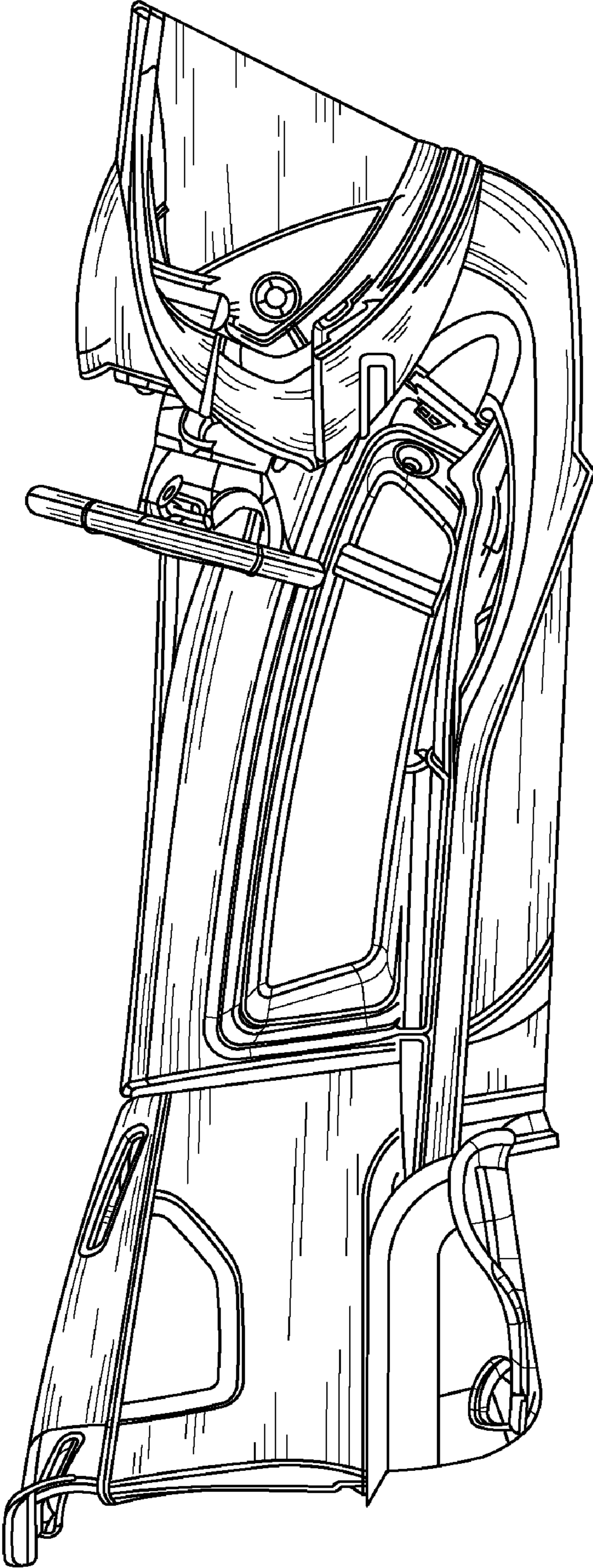


FIG. 5

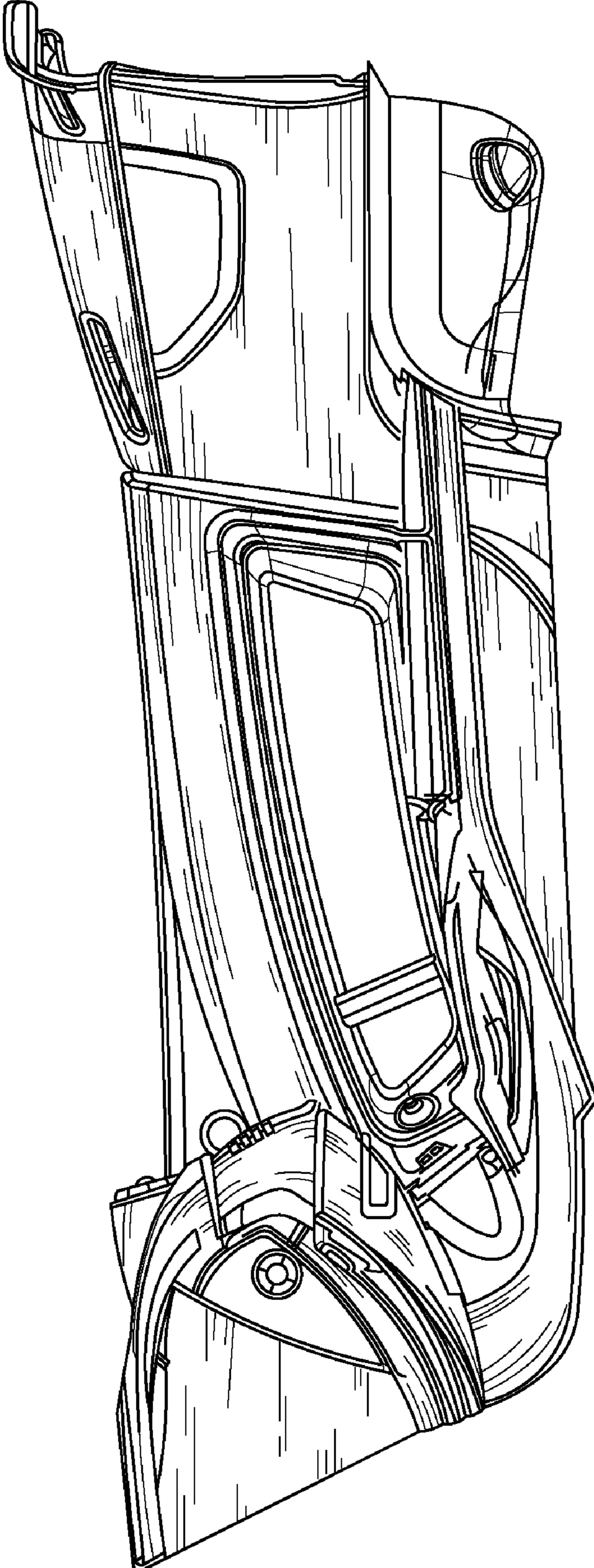


FIG. 6

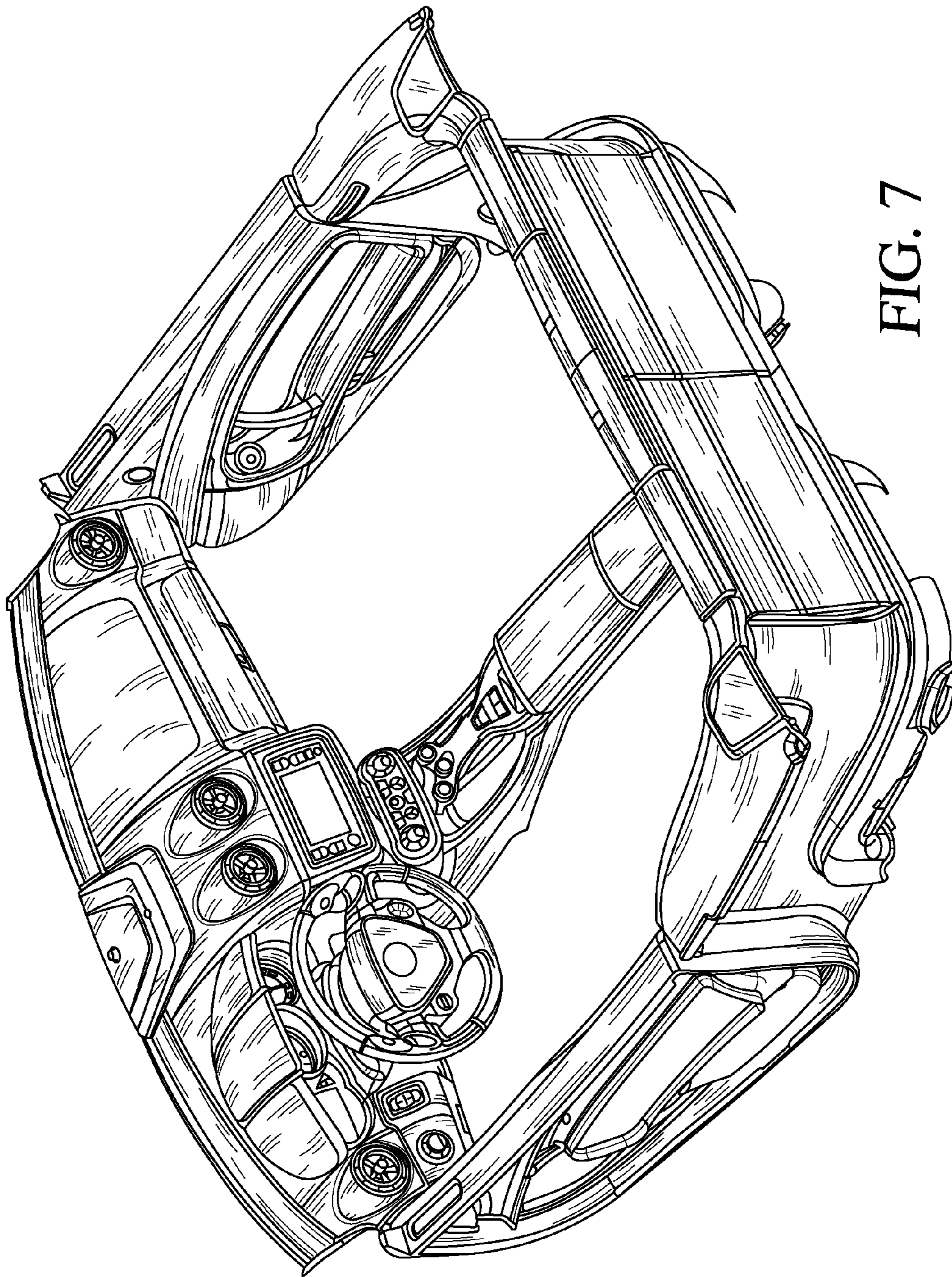


FIG. 7