

US00D602832S

(12) **United States Design Patent**
Tharp et al.

(10) **Patent No.:** **US D602,832 S**

(45) **Date of Patent:** **** Oct. 27, 2009**

(54) **LICENSE PLATE FRAME**

(75) Inventors: **Robert Tharp**, Escalon, CA (US); **Todd Spencer**, Monument, CO (US); **Eldon Goates**, Colorado Springs, CO (US)

(73) Assignee: **Spencer Real Estate, LLC**, Monument, CO (US)

(**) Term: **14 Years**

(21) Appl. No.: **29/315,274**

(22) Filed: **Jun. 10, 2009**

(51) **LOC (9) Cl.** **12-16**

(52) **U.S. Cl.** **D12/193**

(58) **Field of Classification Search** D12/193;
D6/300-303, 310-314; 40/200-204, 207-214;
362/497, 473, 327, 604; D20/13

See application file for complete search history.

(56) **References Cited**

U.S. PATENT DOCUMENTS

D345,541 S *	3/1994	Schmitz	D12/193
D453,491 S *	2/2002	Schmitz	D12/193
D464,299 S *	10/2002	Ohm et al.	D12/193
D475,335 S *	6/2003	Wang	D12/193
D521,916 S *	5/2006	Spencer	D12/193
D524,210 S *	7/2006	Spencer	D12/193
D524,708 S *	7/2006	Spencer	D12/193
D535,927 S *	1/2007	Tofer et al.	D12/193

D537,395 S *	2/2007	Magee	D12/193
D538,722 S *	3/2007	Tofer	D12/193
D579,391 S *	10/2008	Lin	D12/193

* cited by examiner

Primary Examiner—Stacia Cadmus

(74) *Attorney, Agent, or Firm*—Linda Flewellen Gould

(57) **CLAIM**

The ornamental design for a license plate frame, as shown and described.

DESCRIPTION

FIG. 1 is a perspective front and right view of the license plate frame of the present invention, showing our new design.

FIG. 2 is a perspective view of a portion of the license plate frame of the present invention, shown at a scale of 1.5 times that used in FIG. 1.

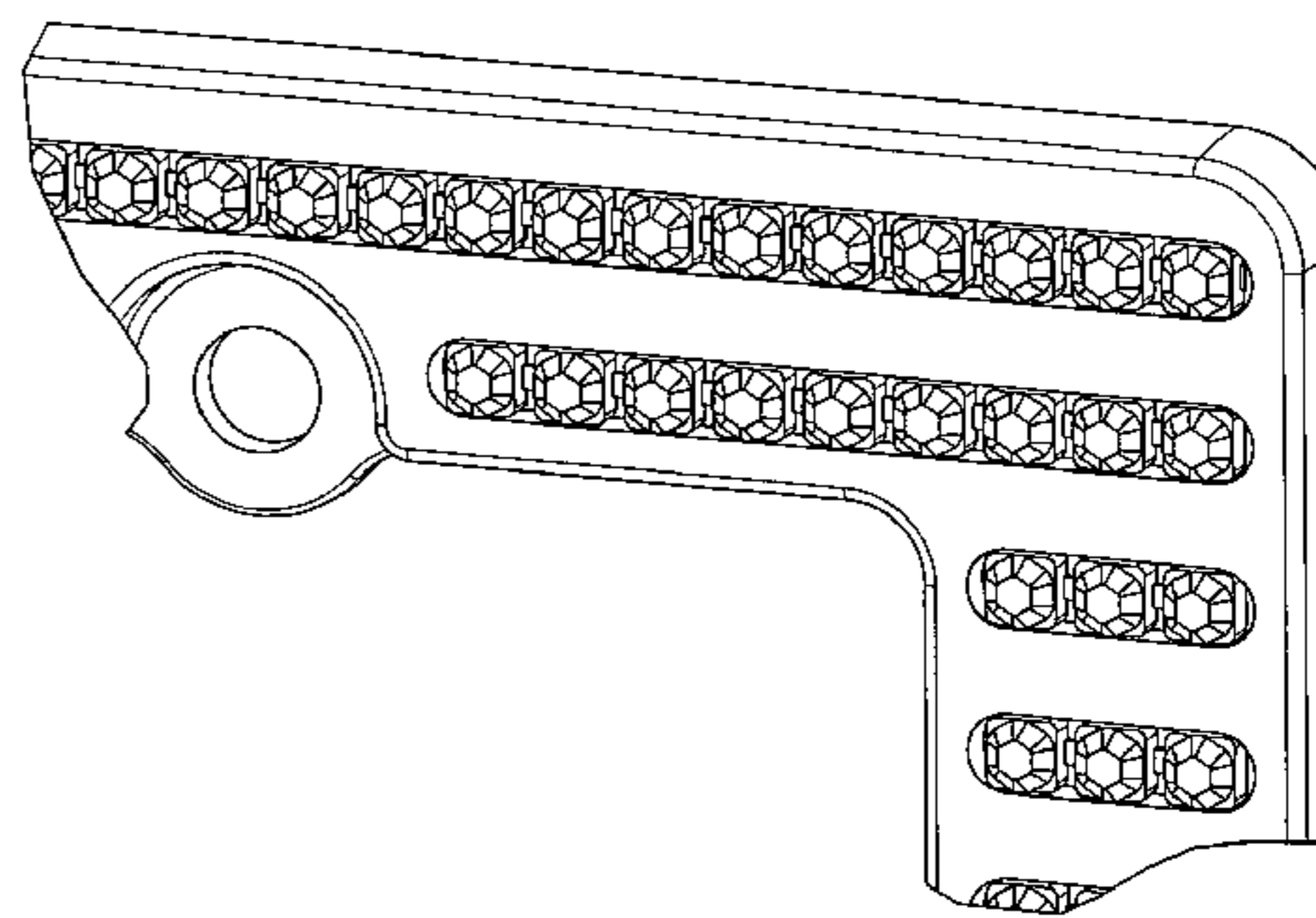
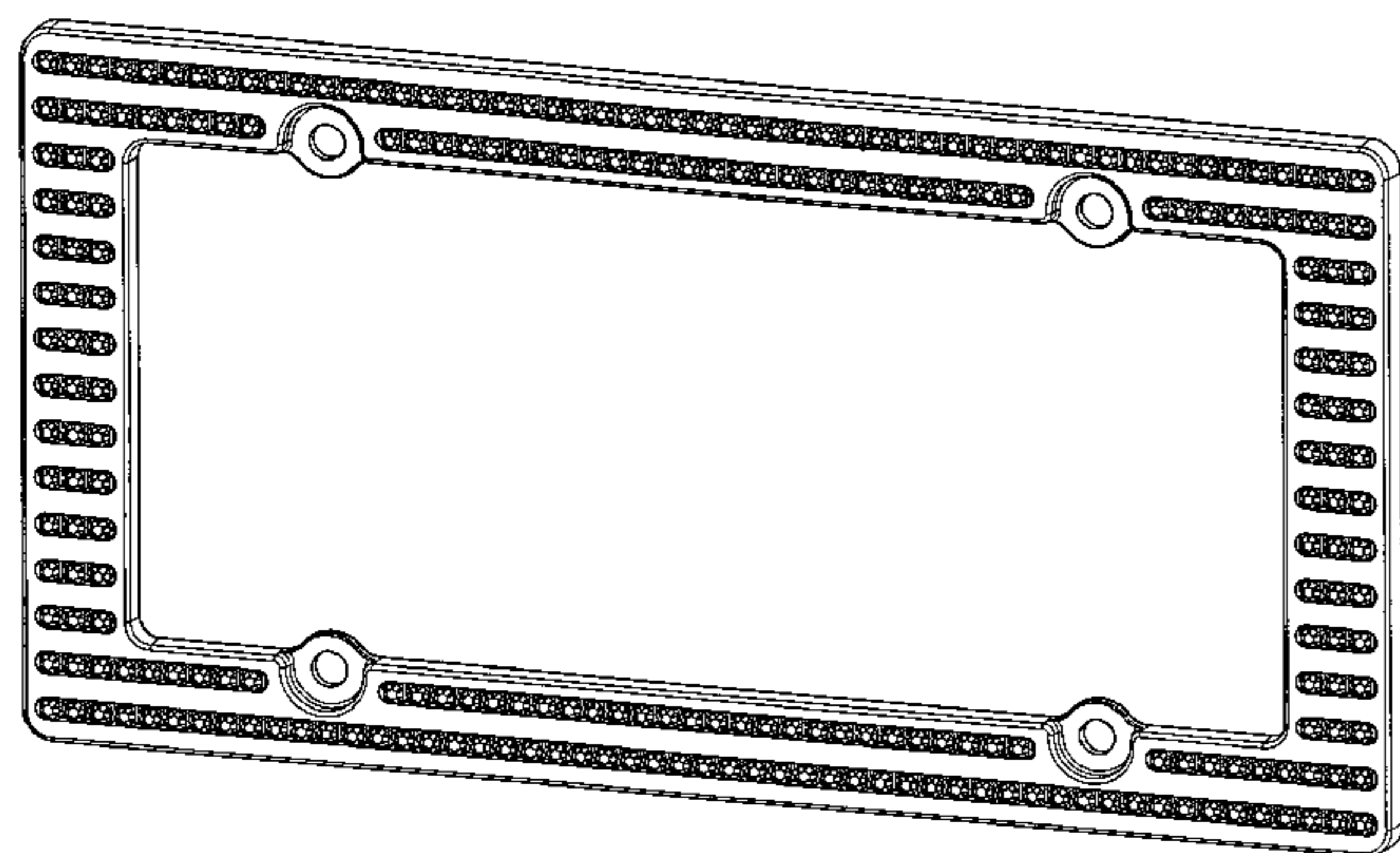
FIG. 3 is a front view of the license plate frame of the present invention

FIG. 4 is a back view of the license plate frame of the present invention.

FIG. 5 is a left side view of the license plate frame of the present invention, the right side view being the mirror image thereof; and,

FIG. 6 is a top view of the license plate frame of the present invention, the bottom view being the mirror image thereof.

1 Claim, 3 Drawing Sheets



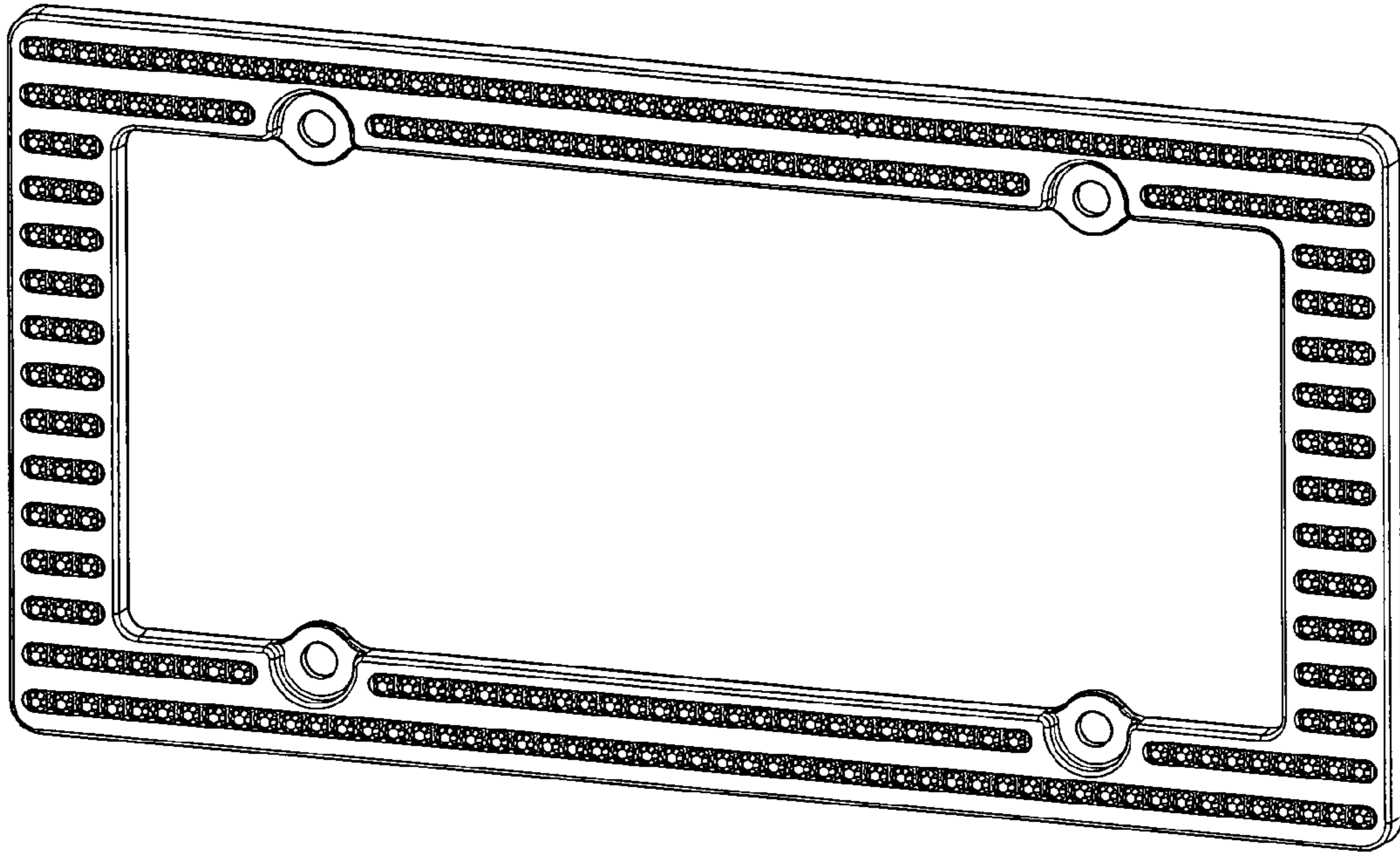


Figure 1

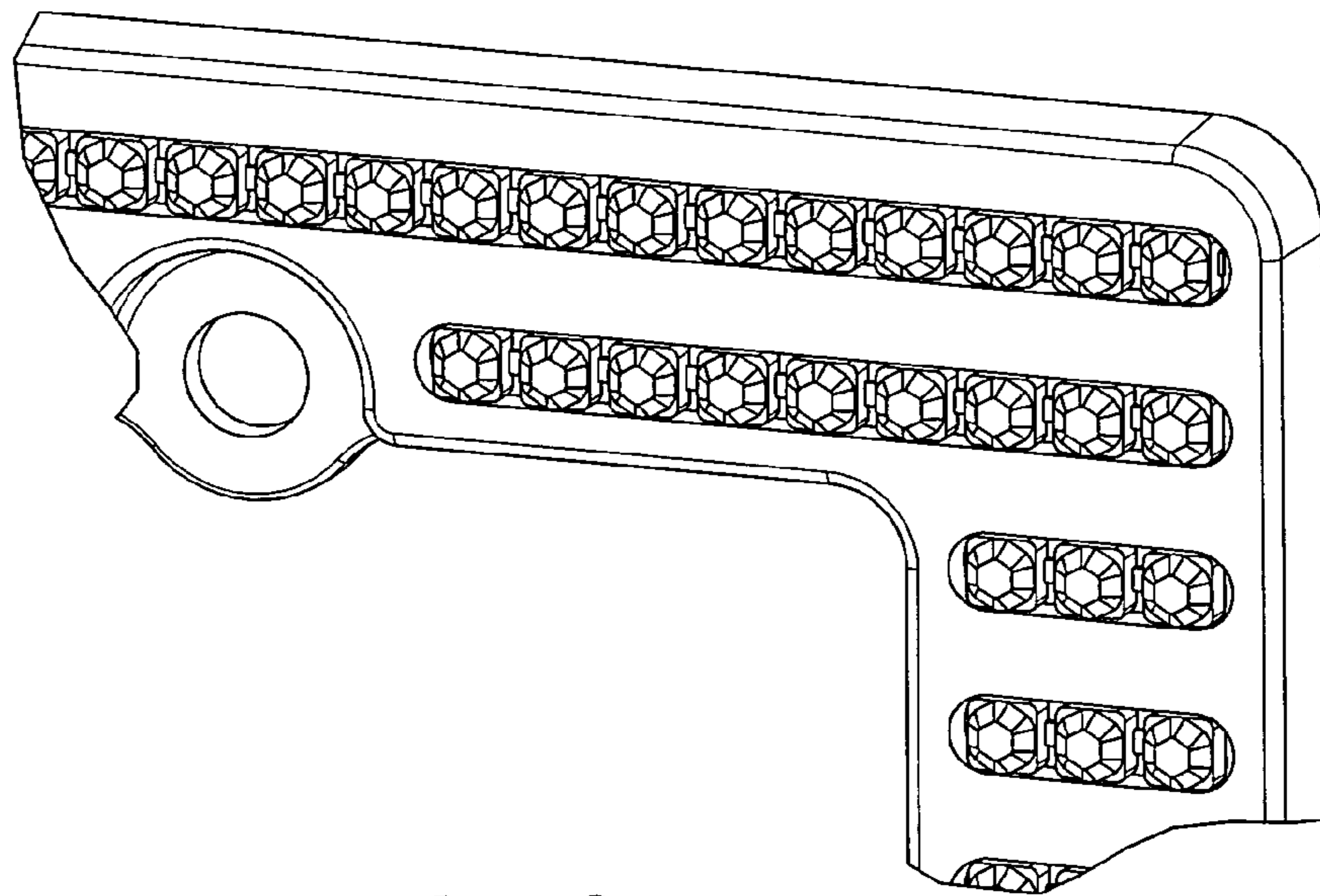


Figure 2

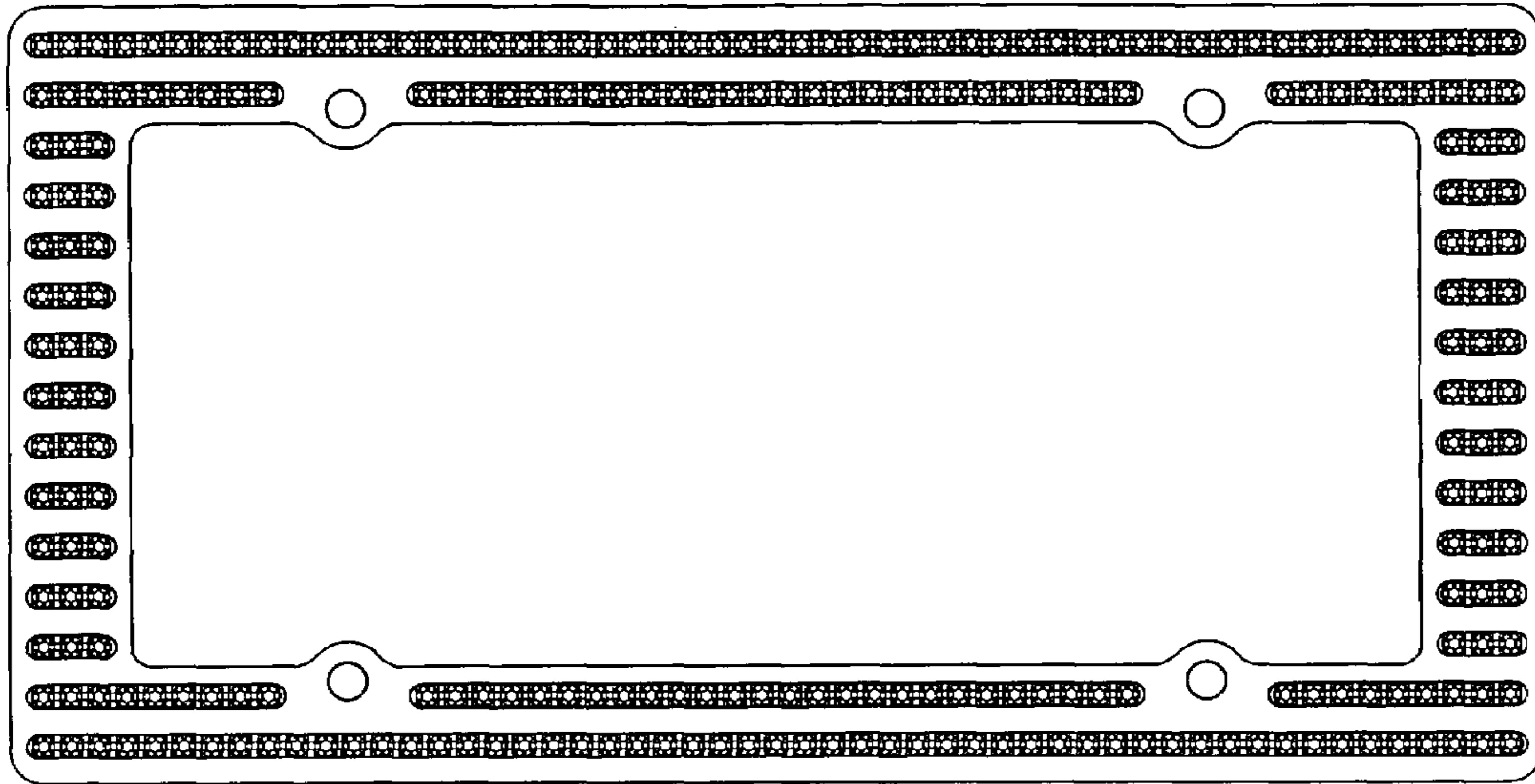


Figure 3

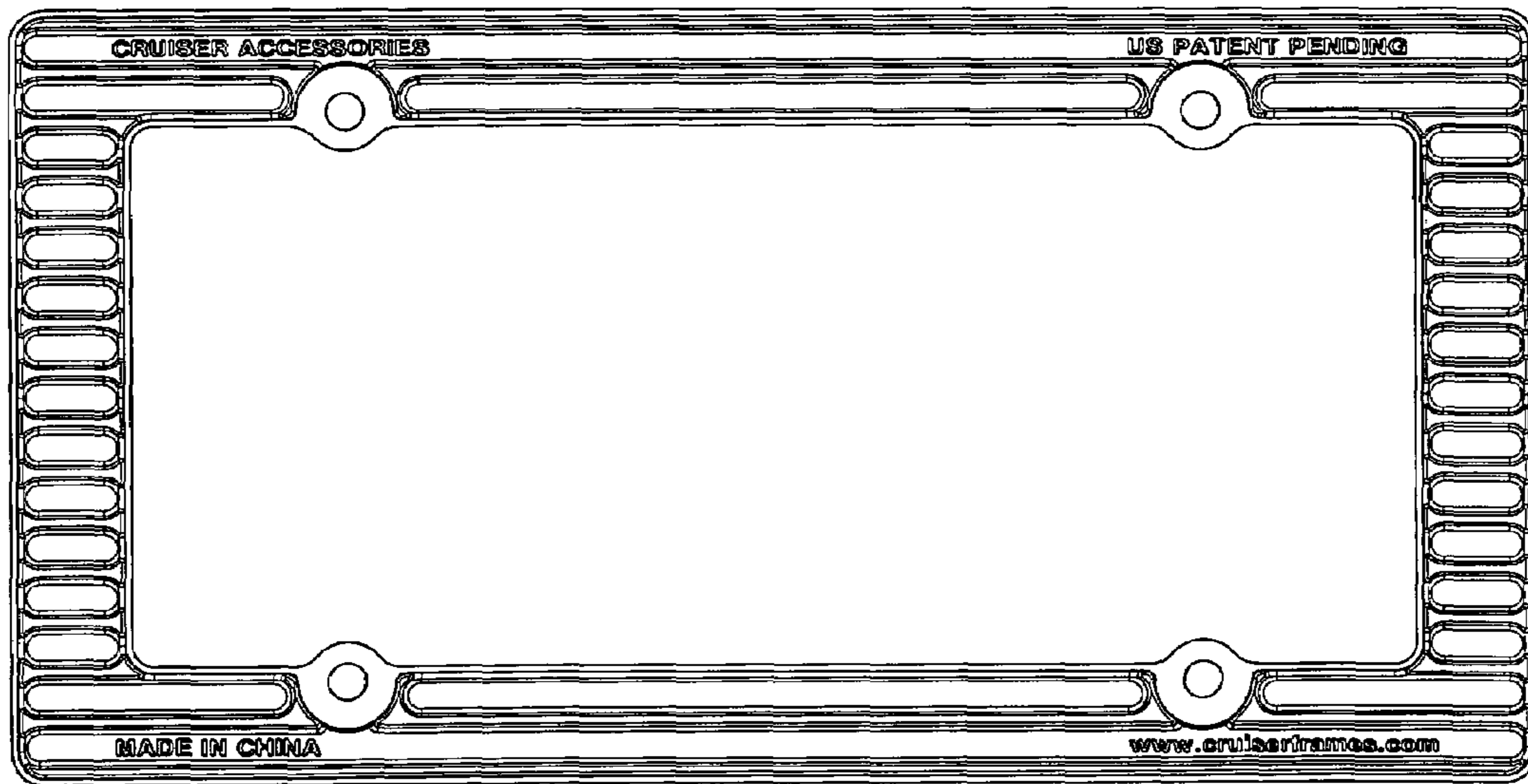


Figure 4

Figure 5

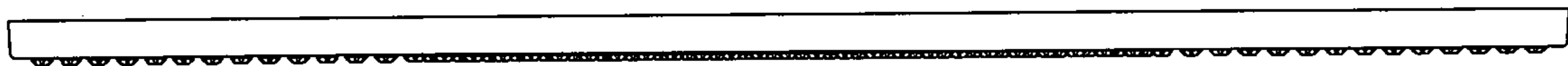


Figure 6