



US00D602831S

(12) **United States Design Patent**
Spencer et al.

(10) **Patent No.:** **US D602,831 S**
(45) **Date of Patent:** **** Oct. 27, 2009**

(54) **LICENSE PLATE FRAME**

D576,934 S * 9/2008 Hirth et al. D12/193

(75) Inventors: **Todd Spencer**, Monument, CO (US);
Alan Lickiss, Monument, CO (US);
Eldon Goates, Colorado Springs, CO (US)

* cited by examiner

Primary Examiner—Stacia Cadmus
(74) *Attorney, Agent, or Firm*—Linda Flewellen Gould

(73) Assignee: **Spencer Real Estate, LLC**, Monument, CO (US)

(57) **CLAIM**

The ornamental design for a license plate frame, as shown and described.

(**) Term: **14 Years**

(21) Appl. No.: **29/315,150**

DESCRIPTION

(22) Filed: **Jun. 1, 2009**

FIG. 1 is a perspective front and right view of the license plate frame of the present invention, showing our new design.

(51) **LOC (9) Cl.** **12-16**

(52) **U.S. Cl.** **D12/193**

(58) **Field of Classification Search** D12/193;
D6/300–303, 310–314; 40/200–204, 207–214;
362/497, 473, 327, 604; D20/13
See application file for complete search history.

FIG. 2 is a perspective view of a portion of the license plate frame of the present invention, shown at a scale of 1.5 times that used in FIG. 1.

FIG. 3 is a front view of the license plate frame of the present invention

FIG. 4 is a back view of the license plate frame of the present invention.

(56) **References Cited**

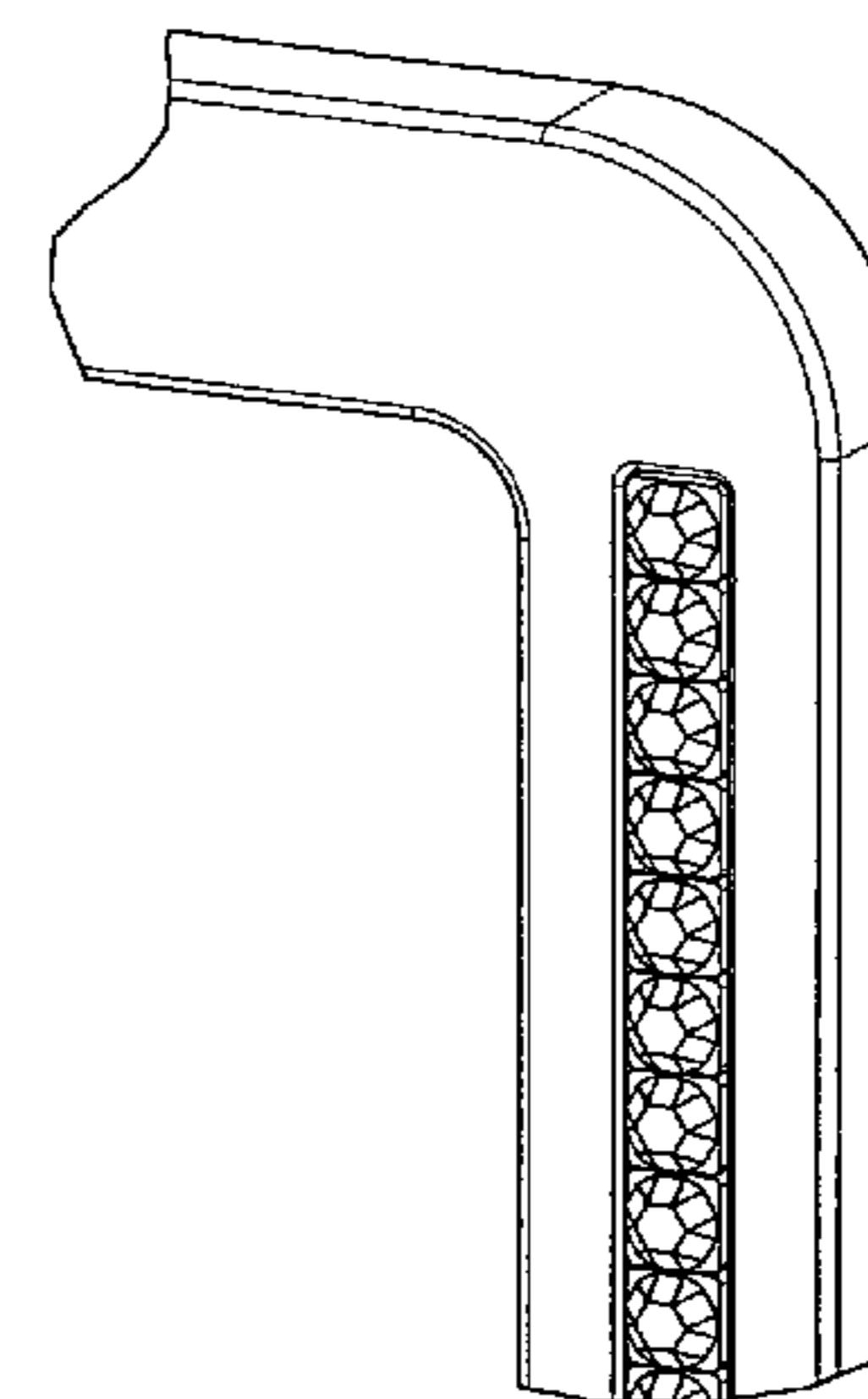
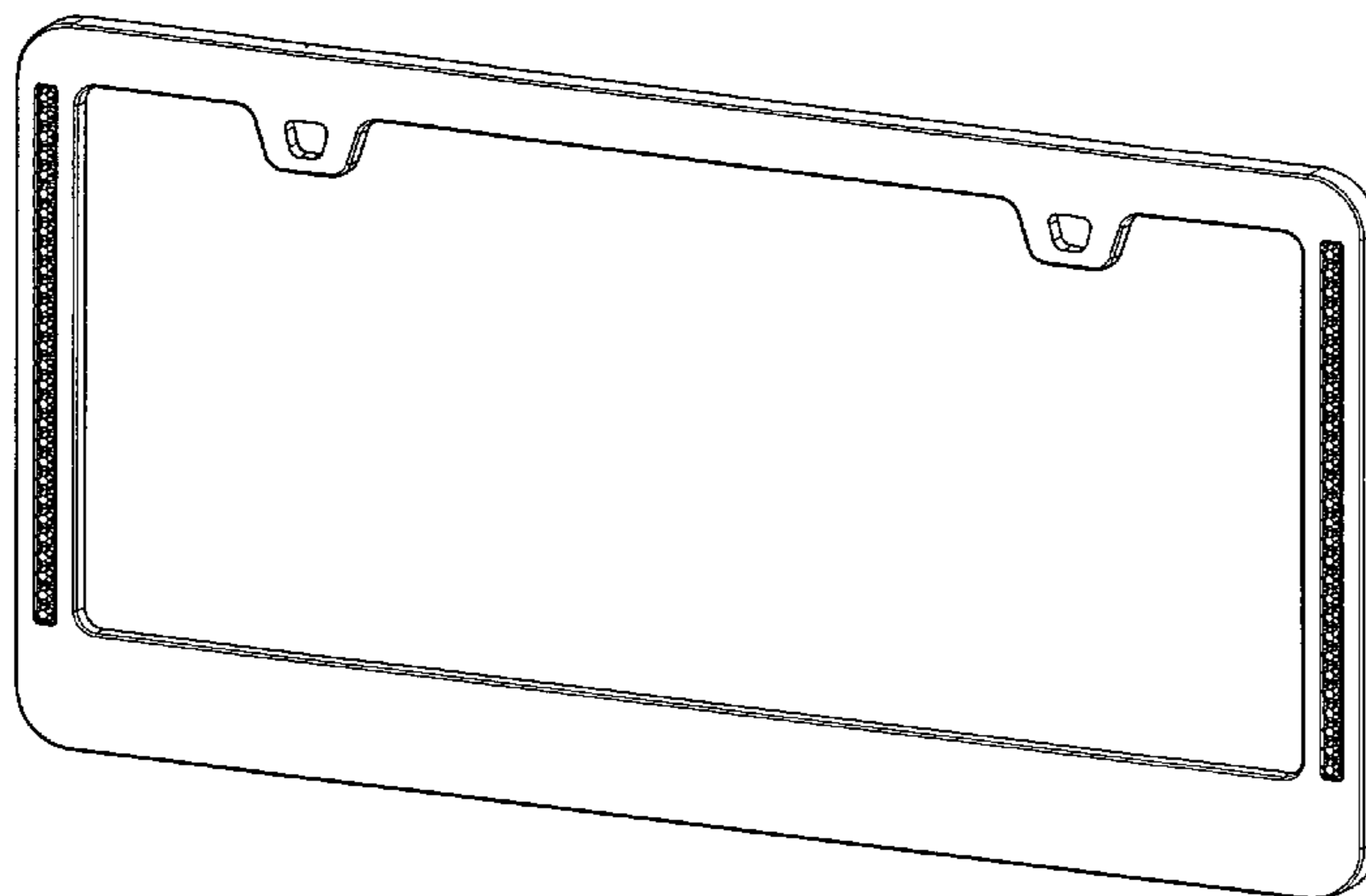
U.S. PATENT DOCUMENTS

- D335,117 S * 4/1993 Spencer D12/193
- D475,335 S * 6/2003 Wang D12/193
- D524,210 S * 7/2006 Spencer D12/193
- D524,707 S * 7/2006 Spencer D12/193
- D538,722 S * 3/2007 Tofer D12/193
- D564,429 S * 3/2008 Hirth et al. D12/193

FIG. 5 is a right side view of the license plate frame of the present invention, the left side view being the mirror image thereof; and,

FIG. 6 is a top view of the license plate frame of the present invention, the bottom view being the mirror image thereof.

1 Claim, 3 Drawing Sheets



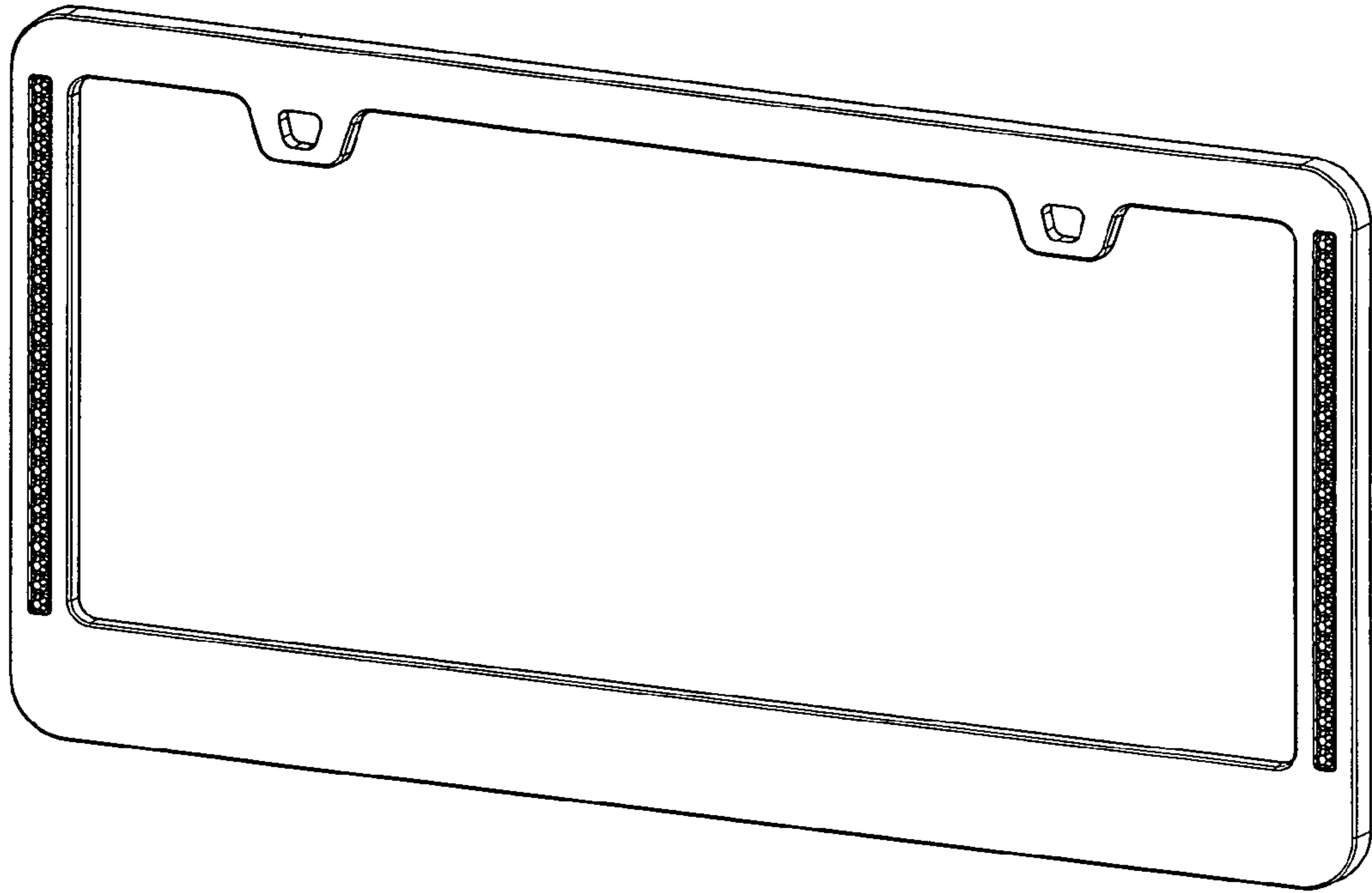


Figure 1

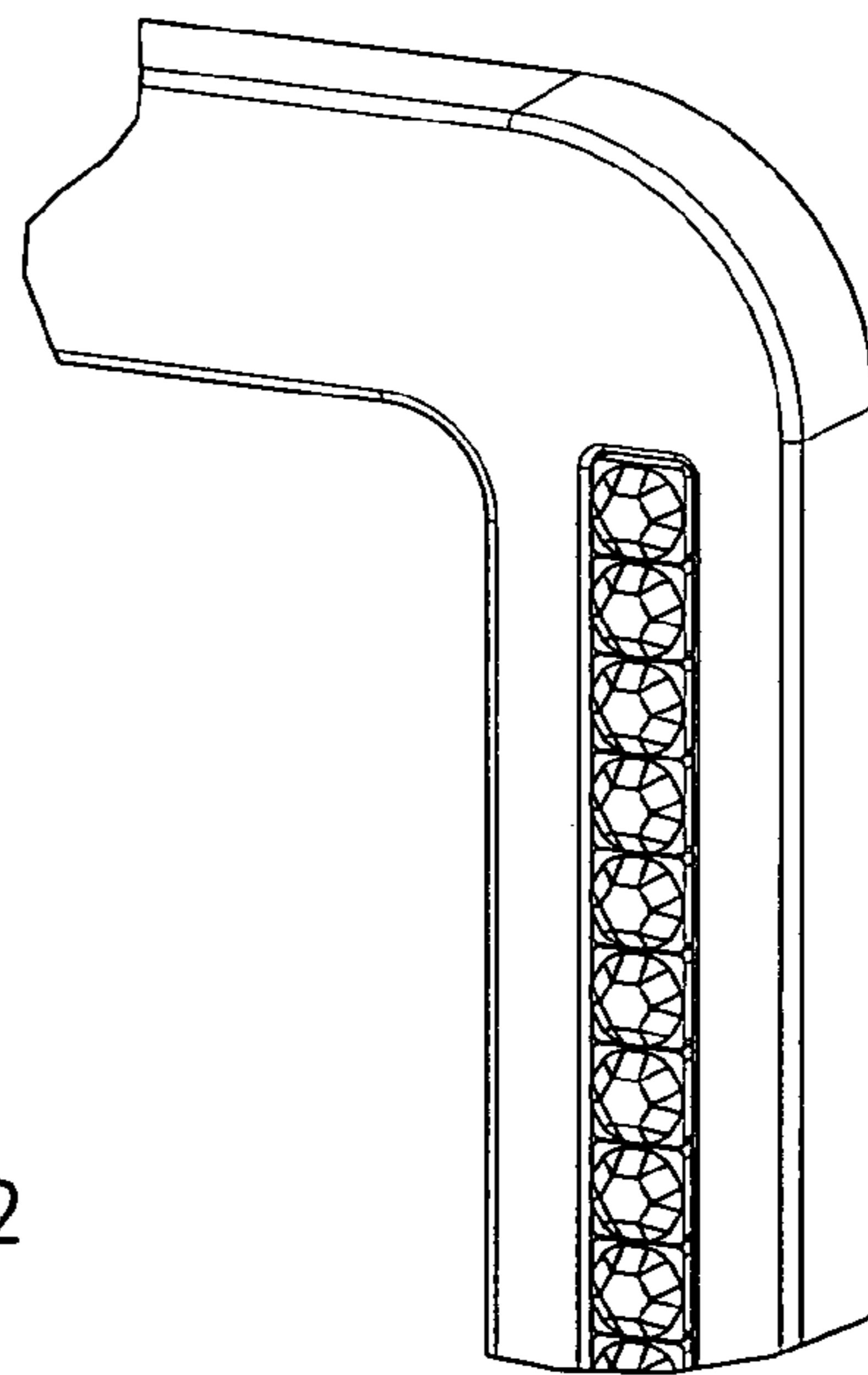


Figure 2

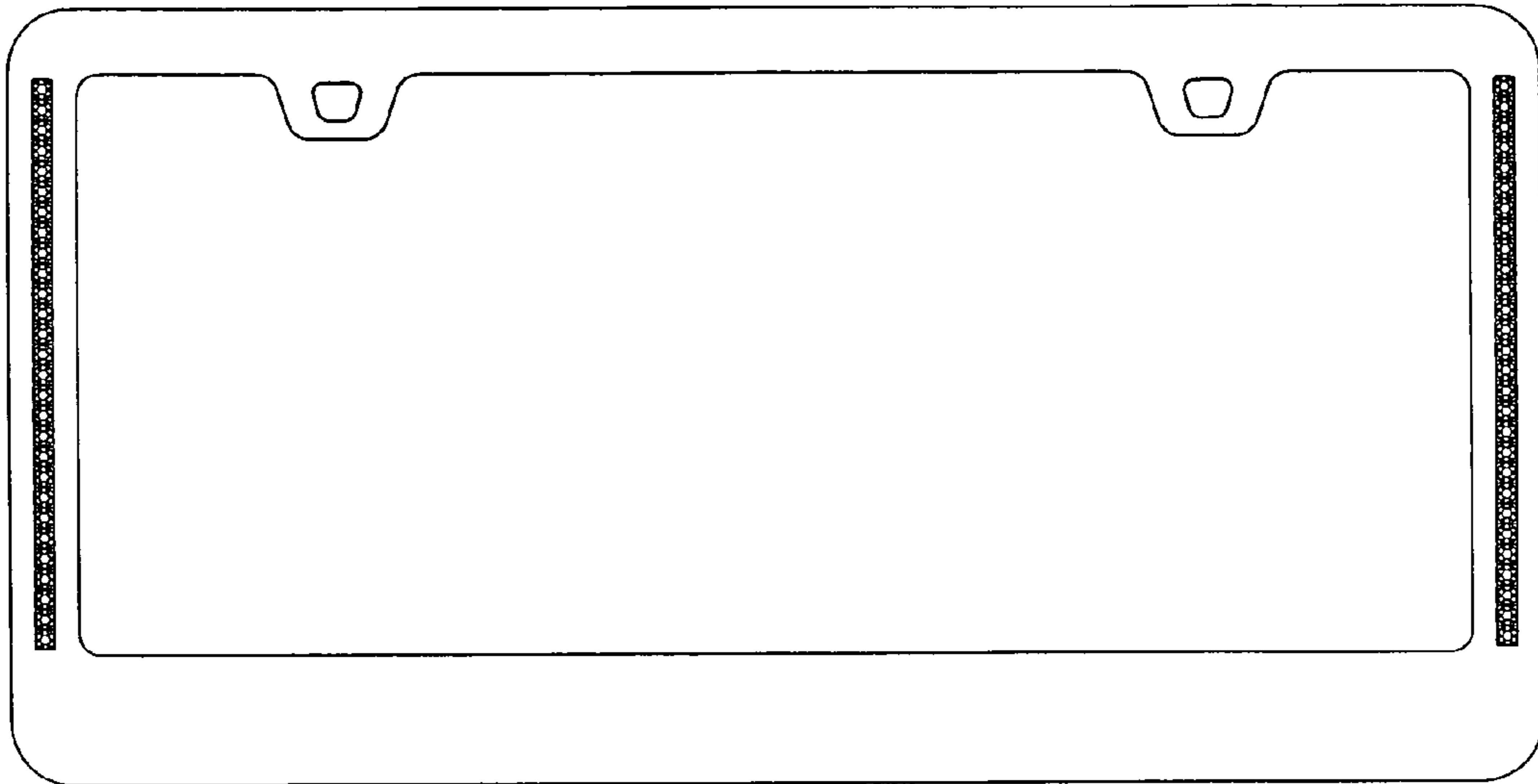


Figure 3

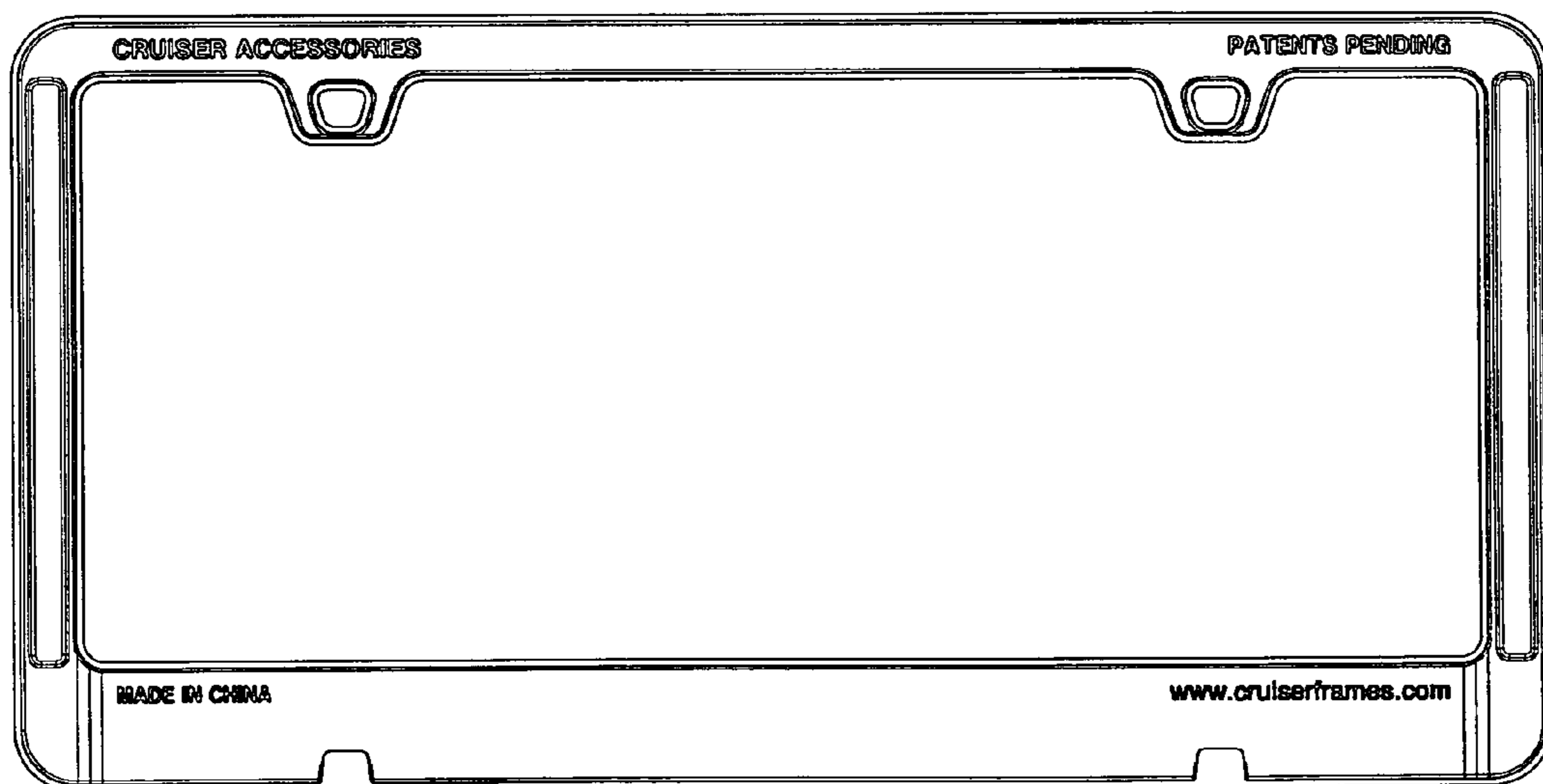


Figure 4

Figure 5

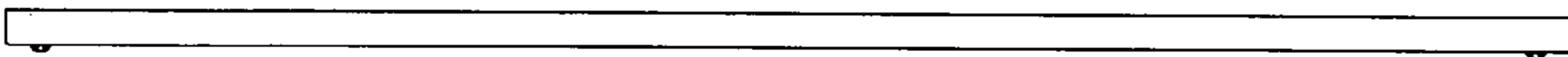


Figure 6